



US00D961489S

(12) **United States Design Patent**  
**Reitenbach**

(10) **Patent No.:** **US D961,489 S**

(45) **Date of Patent:** **\*\* Aug. 23, 2022**

(54) **AIRCRAFT, TOY AND/OR REPLICA**

(71) Applicant: **Dr. Ing. h.c. F. Porsche**  
**Aktiengesellschaft, Stuttgart (DE)**

(72) Inventor: **Roland Reitenbach, Maishofen (AT)**

(73) Assignee: **Dr. Ing. h.c. F. Porsche**  
**Aktiengesellschaft**

(\*\*) Term: **15 Years**

(21) Appl. No.: **29/675,546**

(22) Filed: **Jan. 3, 2019**

(30) **Foreign Application Priority Data**

Jul. 4, 2018 (DE) ..... 402018100662.9

(51) **LOC (13) Cl.** ..... **12-07**

(52) **U.S. Cl.**  
USPC ..... **D12/319; D21/436**

(58) **Field of Classification Search**  
USPC ..... D12/1, 2, 3, 4, 16.1, 319-345;  
D21/437-455

CPC ..... B64C 29/0033; B64C 2201/021; B64C  
29/02; B64C 2201/088; B64C 2201/104;  
B64C 2201/141

See application file for complete search history.

(56) **References Cited**

**U.S. PATENT DOCUMENTS**

3,625,459 A \* 12/1971 Brown ..... B64C 39/10  
D12/333  
D278,226 S \* 4/1985 Henderson ..... D12/319  
D281,680 S \* 12/1985 Henderson ..... D12/333  
D371,536 S \* 7/1996 Jones ..... D12/333  
D394,039 S \* 5/1998 Cummings ..... D12/333  
D476,943 S \* 7/2003 Reinhard ..... D12/319  
D486,775 S \* 2/2004 Reinhard ..... D12/319  
D488,426 S \* 4/2004 Hall ..... D12/319

D508,013 S \* 8/2005 Rihn ..... D12/319  
D573,939 S \* 7/2008 Las Heras ..... D12/319  
D588,976 S \* 3/2009 Westra ..... D12/319  
D597,472 S \* 8/2009 Cazals ..... D12/319  
D616,352 S \* 5/2010 Schafroth ..... D12/319  
D616,804 S \* 6/2010 Manley ..... D12/319  
D616,805 S \* 6/2010 Zha ..... D12/343  
D626,490 S \* 11/2010 Imel ..... D12/319  
D635,083 S \* 3/2011 DeLaurier ..... D12/319  
D677,613 S \* 3/2013 Luther ..... D12/319

(Continued)

**OTHER PUBLICATIONS**

Boeing and Porsche team up for flying cars, by John Rosevear of the Montly Fool on USA Today, published Oct. 16, 2019, found online [Jun. 16, 2022] <https://www.usatoday.com/story/tech/2019/10/16/porsche-teaming-up-with-boeing-on-flying-cars/40315231/>.\*

(Continued)

*Primary Examiner* — Marissa J Cash

(74) *Attorney, Agent, or Firm* — RatnerPrestia

(57) **CLAIM**

The ornamental design for aircraft, toy and/or replica, as shown and described.

**DESCRIPTION**

FIG. 1 is front perspective view of an aircraft, toy and/or replica;

FIG. 2 is a front elevation view thereof;

FIG. 3 is a rear elevation view thereof;

FIG. 4 is an elevation view thereof taken from the left side,

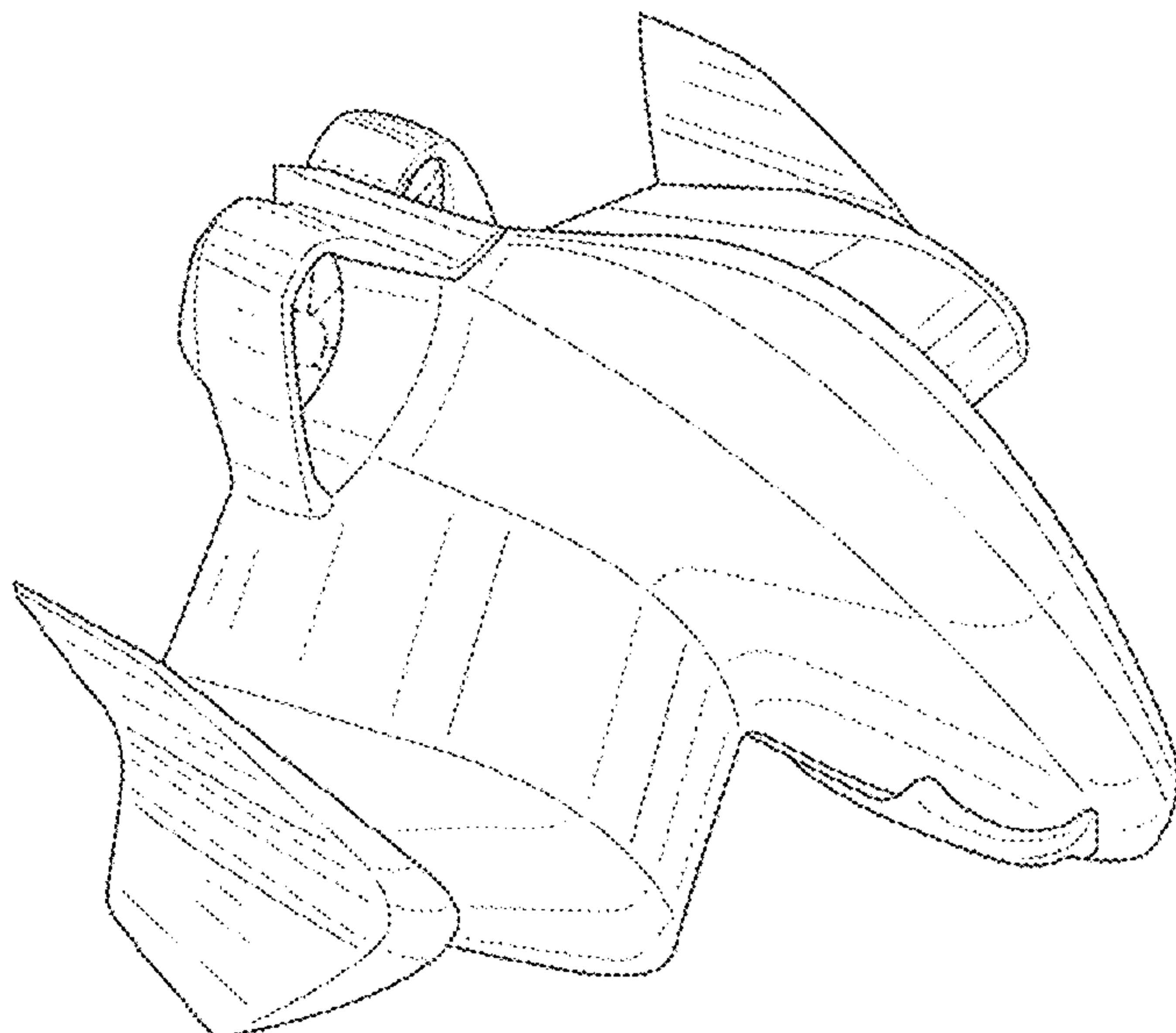
FIG. 5 is an elevation view thereof taken from the right side,

FIG. 6 is a top plan view thereof; and,

FIG. 7 is a bottom plan view thereof.

The broken line showing of the aircraft, toy and/or replica is for the purpose of illustrating portions of the aircraft, toy and/or replica and forms no part of the claimed design.

**1 Claim, 7 Drawing Sheets**



(56)

References Cited

U.S. PATENT DOCUMENTS

D734,402 S \* 7/2015 Reznik ..... D21/450  
D738,438 S \* 9/2015 Cummings ..... D21/447  
D740,201 S \* 10/2015 Wang ..... D12/330  
D783,453 S \* 4/2017 Klick ..... D12/16.1  
9,625,913 B2 \* 4/2017 Golubev ..... B64C 39/024  
D787,983 S \* 5/2017 Fargeau ..... D12/16.1  
D807,809 S \* 1/2018 Suzuki ..... D21/447  
D807,966 S \* 1/2018 Manzoni ..... D21/447  
D813,956 S \* 3/2018 McConville ..... D21/447  
D856,897 S \* 8/2019 Theys ..... D12/326  
D866,394 S \* 11/2019 Shih ..... D12/16.1  
D873,350 S \* 1/2020 Alonso ..... D21/445  
D881,106 S \* 4/2020 Parvizian ..... D12/319  
D881,107 S \* 4/2020 Parvizian ..... D12/319  
2016/0144978 A1 \* 5/2016 Cheron ..... B64D 47/08  
701/16  
2018/0048827 A1 \* 2/2018 Seydoux ..... B64C 39/024  
2020/0010186 A1 \* 1/2020 Bender ..... B64C 29/0025  
2020/0354052 A1 \* 11/2020 Chew ..... B64C 13/16  
2022/0111953 A1 \* 4/2022 Biedermann ..... B64C 27/20

OTHER PUBLICATIONS

Design U.S. Appl. 29/675,545, by Heiler, filed Jan. 3, 2019.

\* cited by examiner

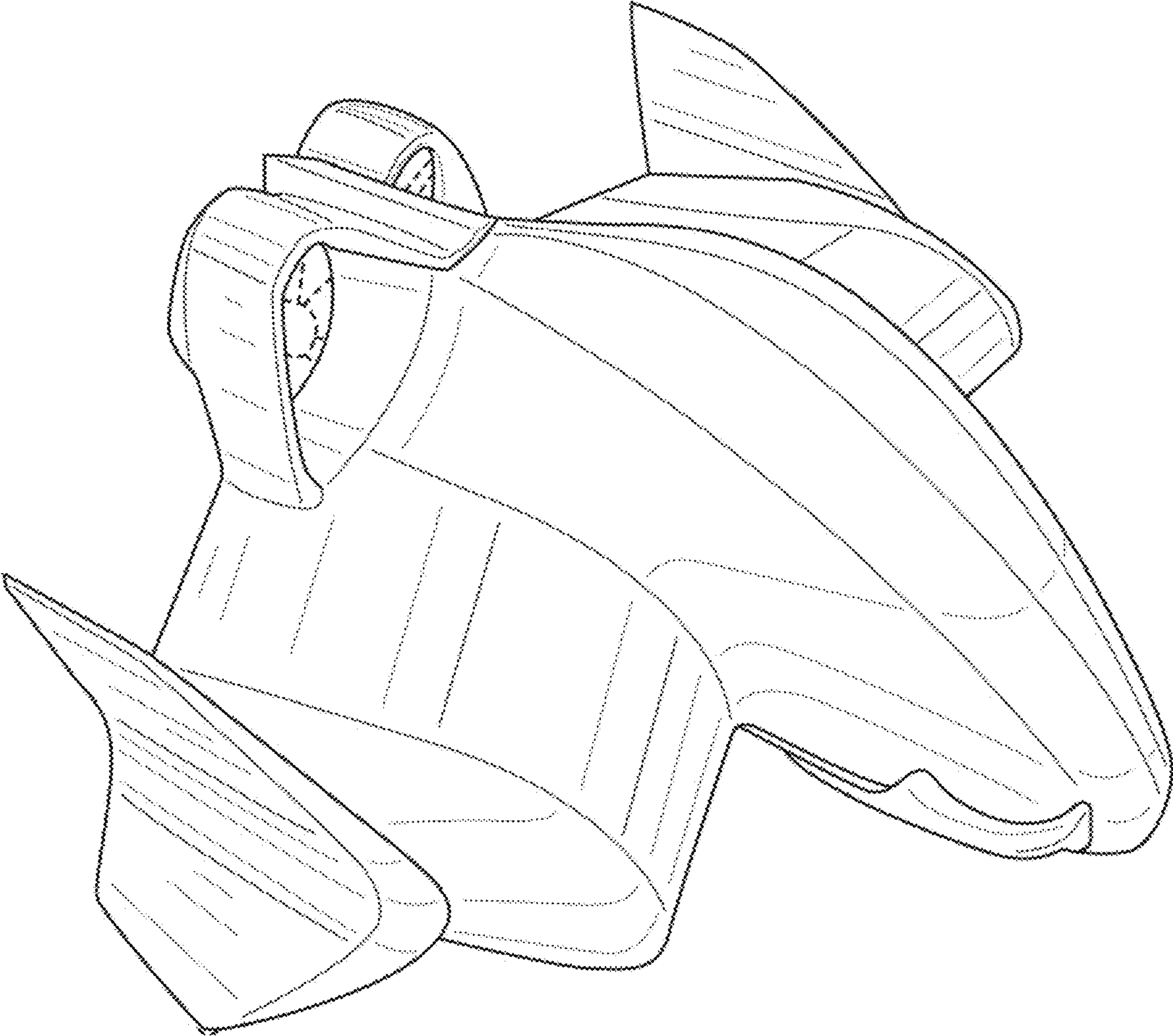


FIG. 1

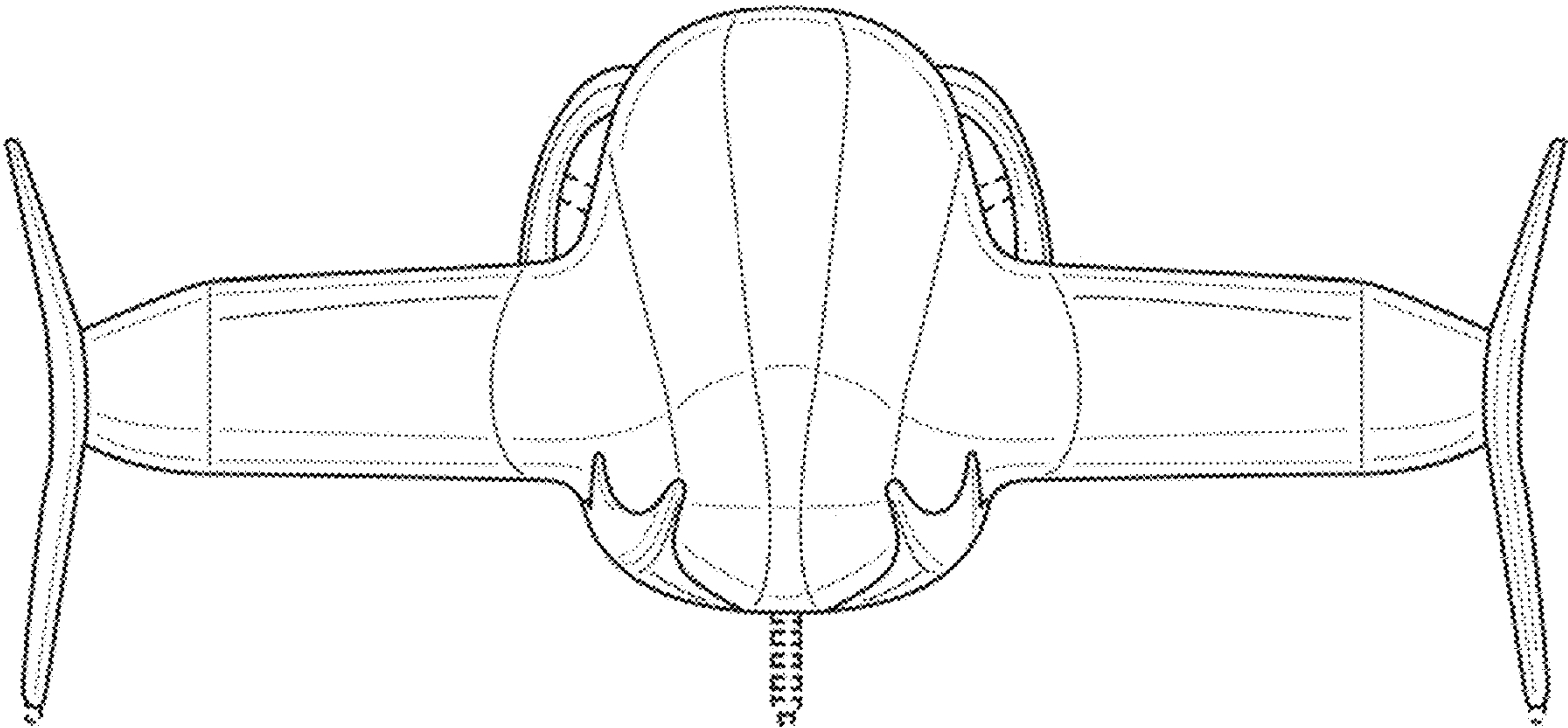


FIG. 2



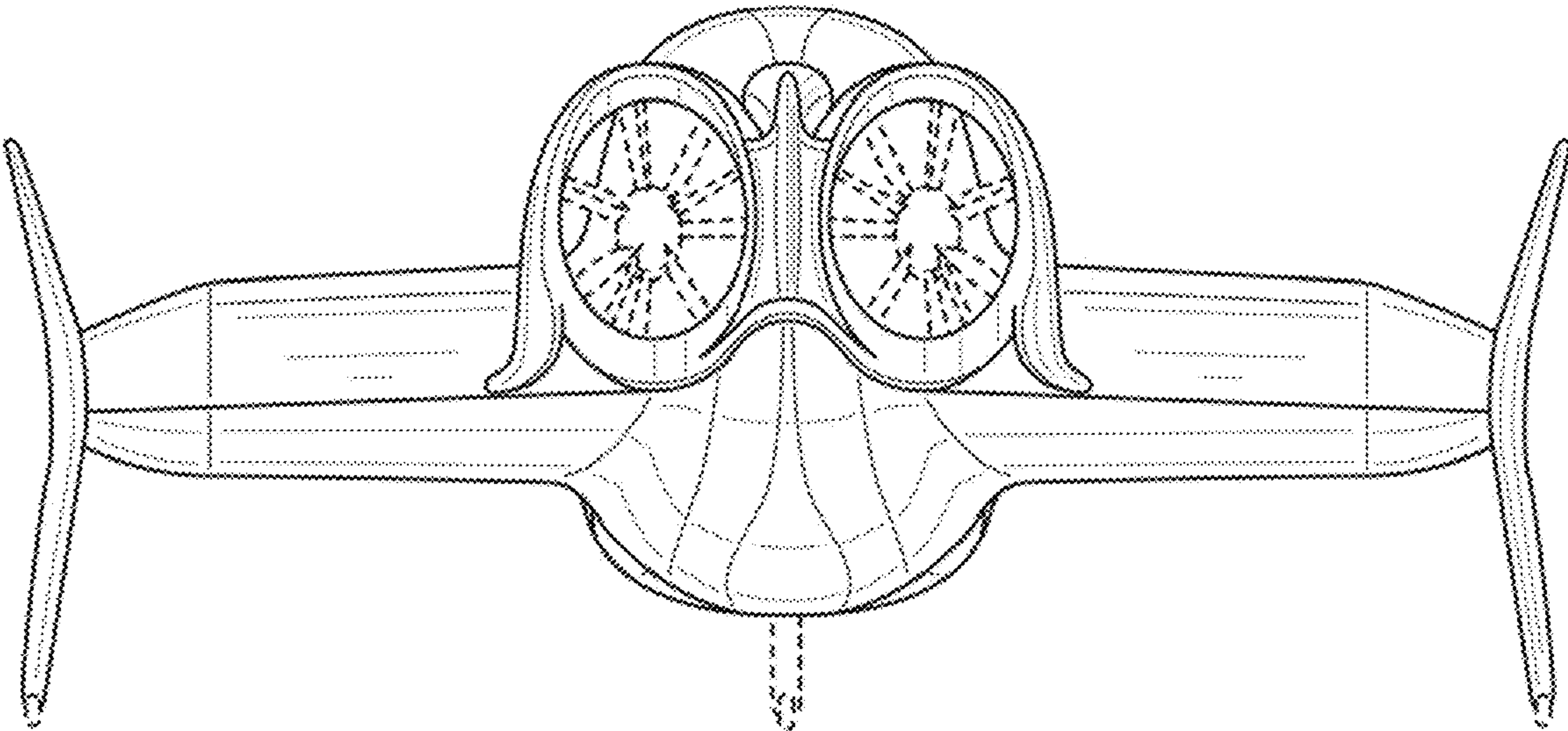


FIG. 3

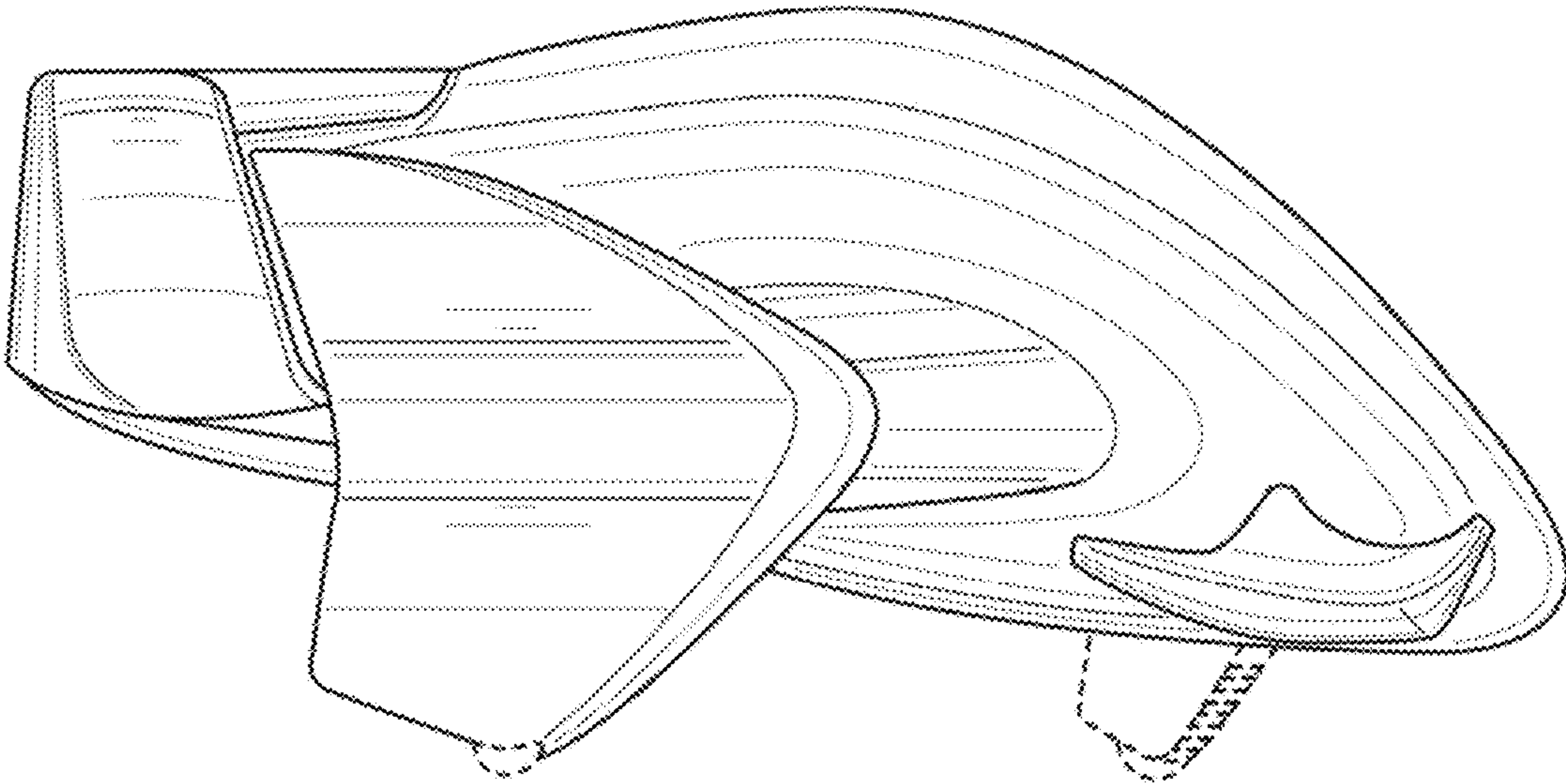


FIG. 4

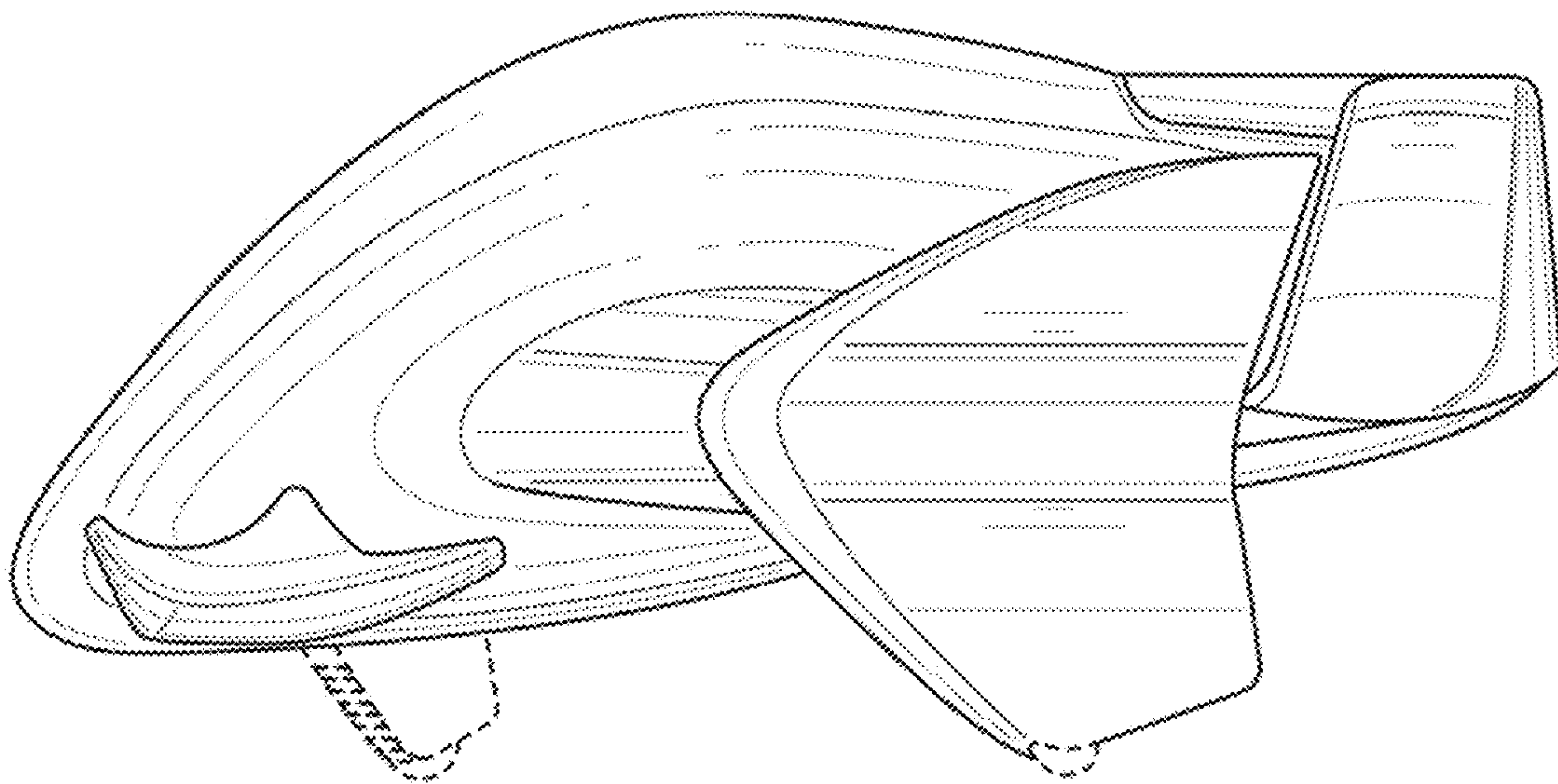


FIG. 5

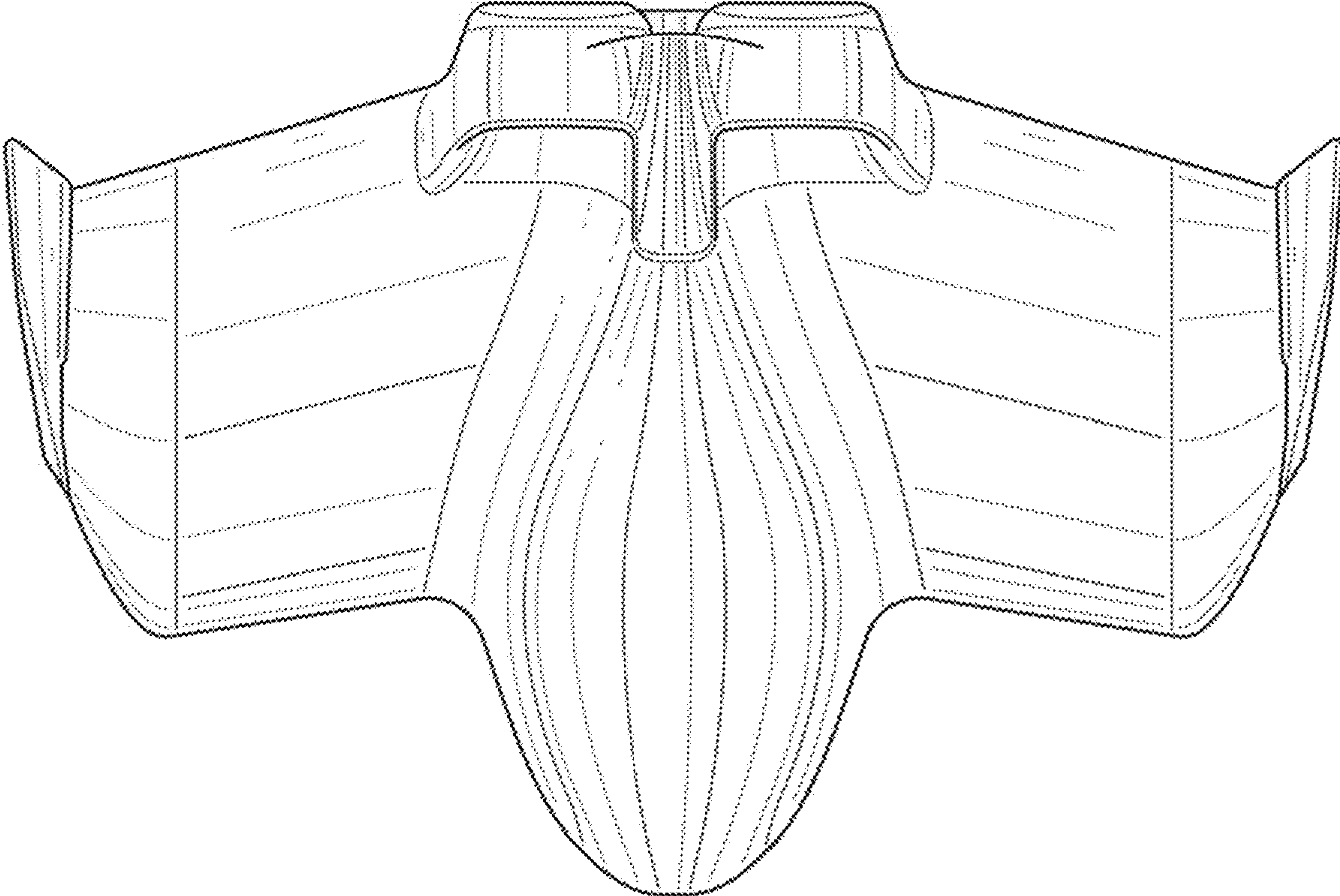


FIG. 6



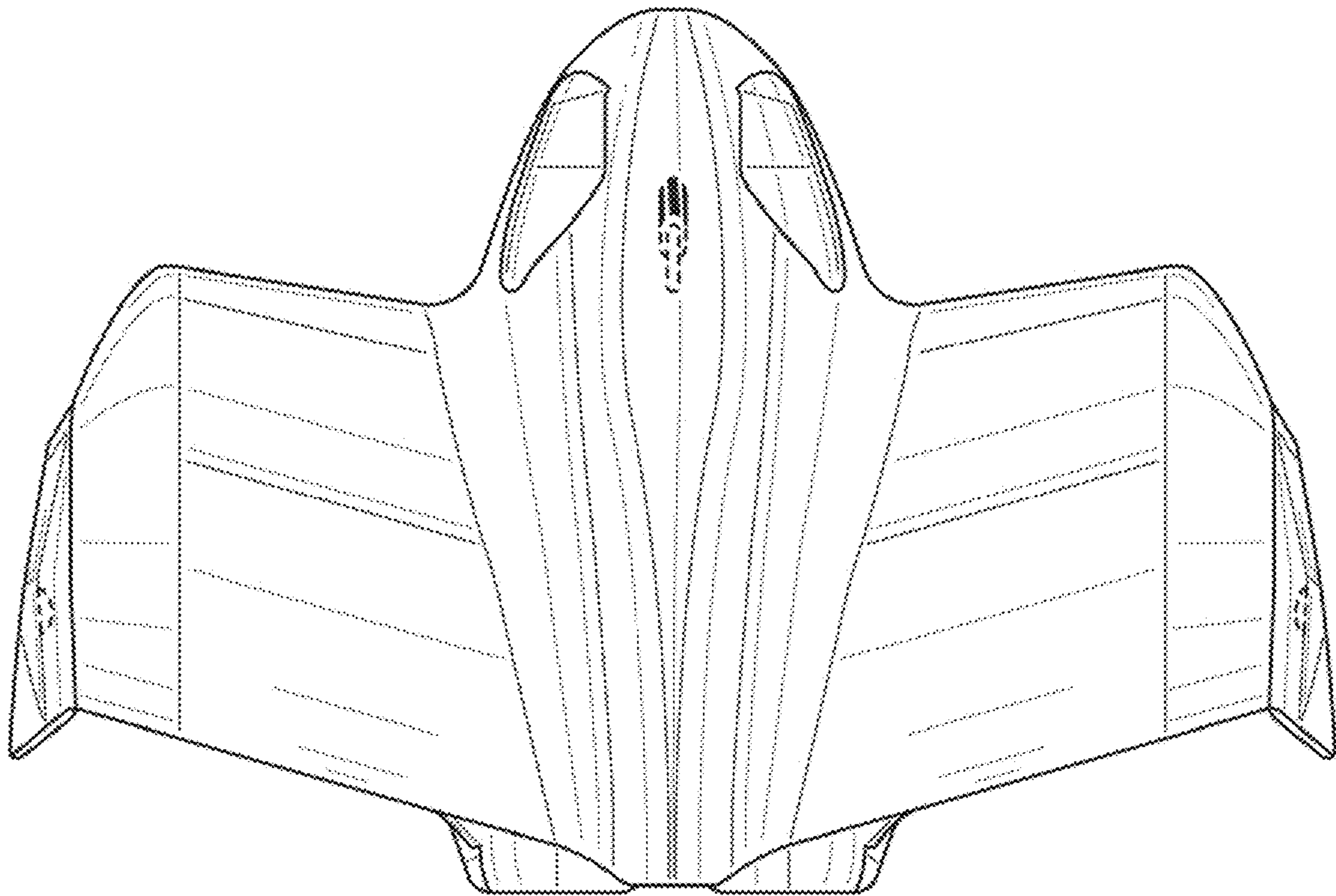


FIG. 7