



US00D961486S

(12) **United States Design Patent** (10) **Patent No.:** **US D961,486 S**
Ring et al. (45) **Date of Patent:** **** Aug. 23, 2022**

(54) **AUTOMOBILE HOOD HINGE**

FOREIGN PATENT DOCUMENTS

(71) Applicant: **Ringbrothers, LLC**, Spring Green, WI (US)

JP 54003720 A 1/1979
WO 2017148494 9/2017

(72) Inventors: **James Alan Ring**, Spring Green, WI (US); **Michael Daniel Ring**, Plain, WI (US); **Matthew Edward Moseman**, Sauk City, WI (US)

OTHER PUBLICATIONS

Screen captures of a Wayback Machine Internet Archive showing images of a '1955-1956 Tri-Five Billet Hood Hinge Kit—Solid Frame' and a '1955-1956 Tri-Five Billet Hood Hinge Kit—Air Frame' as published and offered for sale at least as early as Apr. 24, 2016 at the following URL: <http://ringbrothers.com/hinges/hood-hinges/chevrolet/tri-five.html?cat=347>; enlarged images of the hinge kits as published at the referenced URL address (2 pages).

(73) Assignee: **Ringbrothers, LLC**, Spring Green, WI (US)

(**) Term: **15 Years**

(Continued)

(21) Appl. No.: **29/648,429**

Primary Examiner — Sheryl Lane

(22) Filed: **May 21, 2018**

Assistant Examiner — Ieisha N Price

(51) **LOC (13) Cl.** **12-16**

(74) *Attorney, Agent, or Firm* — Fitch, Even, Tabin &

(52) **U.S. Cl.**

Flannery LLP

USPC **D12/223**

(58) **Field of Classification Search**

(57) **CLAIM**

USPC D8/51, 382, 349, 354, 323, 499;

The ornamental design for an automobile hood hinge, as shown and described.

D12/223, 400, 173, 317, 345, 106

CPC ... E05D 3/145; E05D 5/062; E05D 2011/009;

E05D 2011/0027; E05D 7/04; E05D 3/06;

B60R 21/38; B62D 25/105; E05Y

2900/536

See application file for complete search history.

DESCRIPTION

(56) **References Cited**

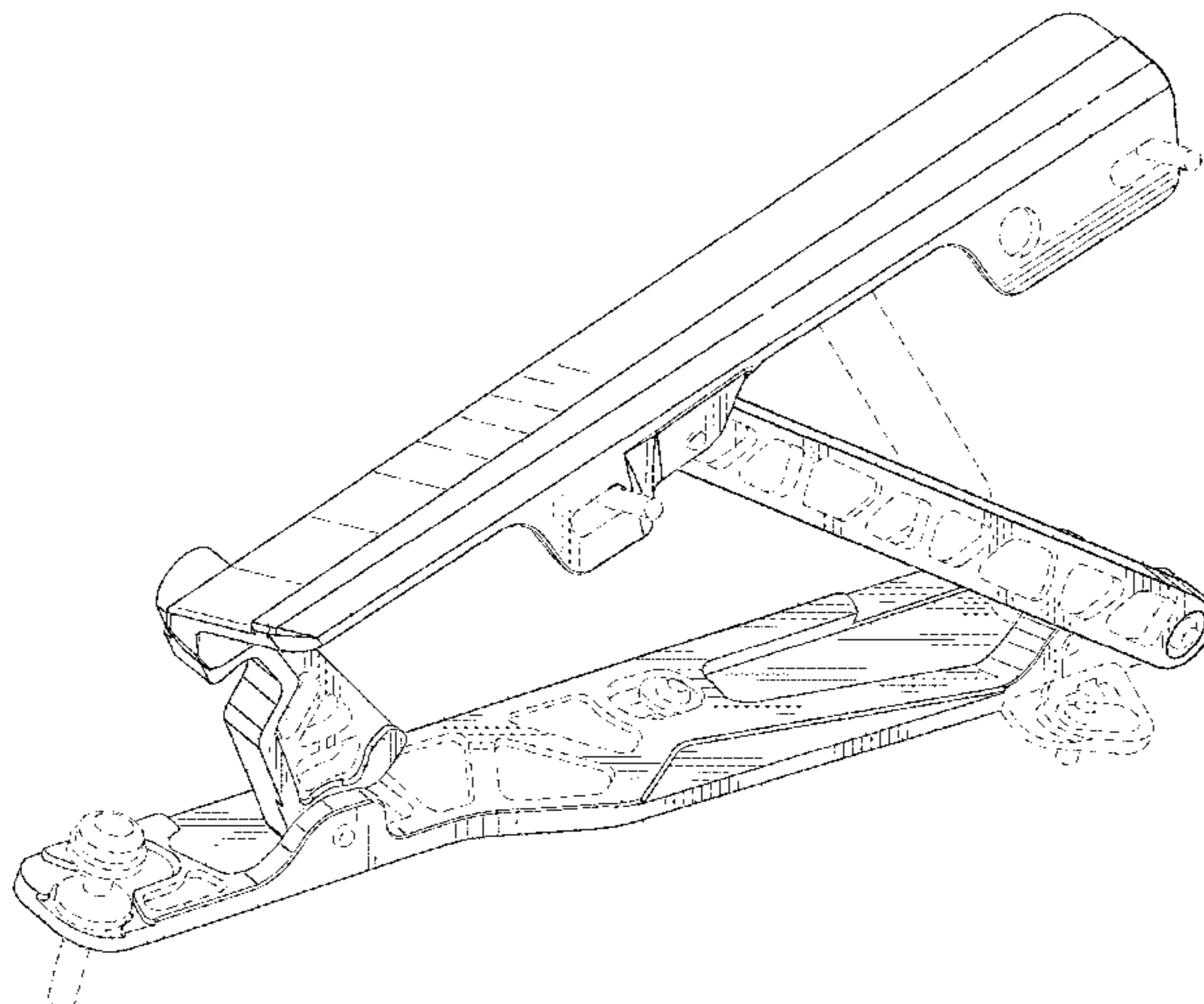
FIG. 1 is a top, right perspective view of an automobile hood hinge showing our new ornamental design; FIG. 2 is a left side elevation view thereof; FIG. 3 is a right side elevation view thereof; FIG. 4 is a top plan view thereof; FIG. 5 is bottom plan view thereof; FIG. 6 is a rear elevation view thereof; and, FIG. 7 is a front elevation view thereof. The broken lines in the drawings illustrate portions of the automobile hood hinge and form no part of the claimed design.

U.S. PATENT DOCUMENTS

2,254,088 A	8/1941	Peterson	
2,740,155 A	4/1956	Hammond	
3,135,011 A	6/1964	Fiedler	
3,153,257 A	10/1964	Daenzer	
3,351,975 A	11/1967	Goto	
D223,595 S *	5/1972	Persinger D12/317
3,747,271 A	7/1973	Adamski	
3,815,176 A *	6/1974	Porter E05D 3/145
			16/288
4,012,807 A	3/1977	Kern	
4,223,420 A	9/1980	Yukimoto	

(Continued)

1 Claim, 5 Drawing Sheets



(56)

References Cited

U.S. PATENT DOCUMENTS

4,727,621 A 3/1988 Emery
D335,622 S * 5/1993 Millsap D8/323
D336,841 S * 6/1993 Wilson D8/323
5,339,494 A 8/1994 Esau
D367,808 S * 3/1996 Blomqvist D8/323
5,557,829 A * 9/1996 Schoen E05D 3/145
16/371
6,330,734 B1 12/2001 Cho
6,618,904 B1 9/2003 Nagy
7,137,174 B2 11/2006 Derbis
7,207,406 B1 4/2007 Polz
7,231,995 B1 6/2007 Polz
7,469,447 B2 12/2008 Schlegel
7,506,716 B1 * 3/2009 Salmon B60R 21/38
180/274
7,596,833 B2 10/2009 Erwin
7,802,345 B2 9/2010 Mathew
7,845,715 B2 12/2010 Lim
8,201,306 B2 6/2012 Kim
8,296,906 B2 10/2012 Wisniewski
8,484,804 B2 7/2013 Mehta
D717,634 S * 11/2014 Lu D8/323
8,893,354 B2 11/2014 McIntyre
D726,637 S * 4/2015 Ring D12/400
9,308,885 B2 4/2016 Schabenbergers
D758,164 S * 6/2016 Lu D8/323
9,366,066 B2 6/2016 Hwang
D765,488 S * 9/2016 Held D8/323
9,481,340 B2 11/2016 Kim
9,701,275 B2 7/2017 Kim
9,701,277 B2 7/2017 McIntyre
9,783,154 B2 10/2017 Kim
D804,276 S * 12/2017 Lu D8/323
10,100,565 B2 10/2018 Waskie
D834,916 S * 12/2018 Lu D8/323
10,239,484 B2 3/2019 Hwang
D853,828 S * 7/2019 Lucas D8/382
10,336,291 B2 7/2019 Schabenberger
10,384,638 B2 8/2019 Leschnik
10,703,326 B2 7/2020 Gabler
10,752,201 B2 8/2020 Fredriksson
11,002,047 B2 5/2021 French
D921,558 S 6/2021 Ring
D921,559 S 6/2021 Ring
D944,714 S 3/2022 Ring
D944,715 S 3/2022 Ring
D945,349 S 3/2022 Ring
2003/0056330 A1 * 3/2003 Westerdale E05D 7/0423
16/370
2003/0217436 A1 * 11/2003 Hashim E05F 1/1276
16/286
2004/0205934 A1 * 10/2004 Derbis E05F 15/63
16/289
2005/0173943 A1 8/2005 Duffy
2007/0080010 A1 4/2007 Gust
2007/0151791 A1 * 7/2007 Gust B60R 21/38
180/274
2007/0256277 A1 11/2007 Shaw
2007/0266523 A1 11/2007 Polz
2008/0034552 A1 * 2/2008 Nguyen E05D 3/145
16/375
2008/0276425 A1 11/2008 Gherardi
2009/0188081 A1 * 7/2009 Mathew E05D 15/46
16/370
2009/0230713 A1 9/2009 Martin
2010/0024162 A1 2/2010 Walz
2010/0024170 A1 2/2010 Lim
2010/0107365 A1 5/2010 Kim
2010/0223851 A1 9/2010 Odoi
2011/0285166 A1 11/2011 Baba
2012/0084942 A1 4/2012 Mehta
2013/0074284 A1 3/2013 Kuhr
2014/0359974 A1 12/2014 Agell Merino

2016/0144822 A1 * 5/2016 Kim B60R 21/34
16/222
2016/0245003 A1 * 8/2016 McIntyre B60R 21/38
2016/0258196 A1 * 9/2016 Yamamoto E05D 15/46
2017/0113648 A1 * 4/2017 Kim E05D 5/0207
2017/0259776 A1 * 9/2017 McLundie B60R 21/38
2017/0327074 A1 11/2017 Schabenberger
2017/0335610 A1 * 11/2017 Hall E05D 3/145
2017/0369028 A1 * 12/2017 Patterson E05D 3/06
2018/0056928 A1 3/2018 Leschnik
2019/0168705 A1 * 6/2019 Springsklee E05D 11/00
2019/0241150 A1 8/2019 Fredriksson
2019/0299921 A1 * 10/2019 Maeda B60R 21/0134
2019/0375369 A1 12/2019 Hufen
2019/0383074 A1 12/2019 Schabenberger
2020/0056410 A1 2/2020 French
2020/0108793 A1 * 4/2020 Kim B60R 21/0134
2020/0141164 A1 * 5/2020 Kim B62D 25/12
2020/0157859 A1 * 5/2020 Szente E05B 77/08
2020/0164831 A1 * 5/2020 Wood E05D 7/1061
2020/0165851 A1 * 5/2020 Page E05D 3/145

OTHER PUBLICATIONS

Screen captures of a Wayback Machine Internet Archive showing images of a ‘1957 Tri Five Air Billet Hood Hinge Kit—Air Frame’ as published and offered for sale at least as early as Apr. 15, 2016 at the following URL: <https://ringbrothers.com/1957-tri-five-air-billet-hood-hinge-kit-air-frame.html>; enlarged image of the hinge kit as published at the referenced URL address (2 pages).

Screen captures of a Wayback Machine Internet Archive showing images of a ‘1957 Tri Five Billet Hood Hinge Kit—Solid Frame’ as published and offered for sale at least as early as Apr. 14, 2016 at the following URL: <http://ringbrothers.com/1957-tri-five-billet-hood-hinge-kit-solid-frame.html>; enlarged image of the hinge kit as published at the referenced URL address (2 pages).

Screen captures of a Wayback Machine Internet Archive showing images of a ‘1963-1964 Impala Billet Hood Hinge Kit—Solid Frame’ and ‘1963-1964 Impala Billet Hood Hinge Kit—Air Frame’ as published and offered for sale at least as early as Apr. 13, 2016 at the following URL: <http://ringbrothers.com/hinges/hood-hinges/chevrolet/impala.html?dir=desc&order=position>; enlarged images of the hinge kits as published at the referenced URL address (2 pages).

Screen captures of a Wayback Machine Internet Archive showing images of a ‘1963-1965 Nova Billet Hood Hinge Kit—Solid Frame’ and ‘1963-1965 Nova Billet Hood Hinge Kit—Air Frame’ as published and offered for sale at least as early as Apr. 15, 2016 at the following URL: <http://ringbrothers.com/hinges/hood-hinges/chevrolet/nova.html?cat=343>; enlarged images of the hinge kits as published at the referenced URL address (2 pages).

Screen captures of a Wayback Machine Internet Archive showing images of a ‘1964 Chevelle/El Camino Billet Hood Hinge Kit—Air Frame’ as published and offered for sale at least as early as Mar. 8, 2016 at the following URL: <https://ringbrothers.com/1964-chevelle-el-camino-billet-hood-hinge-kit-air-frame.html>; enlarged image of the hinge kit as published at the referenced URL address (2 pages).

Screen captures of a Wayback Machine Internet Archive showing images of a ‘1964 Chevelle/El Camino Billet Hood Hinge Kit—Solid Frame’ published and offered for sale at least as early as Apr. 13, 2016 at the following URL: <http://ringbrothers.com/1964-chevelle-el-camino-billet-hood-hinge-kit-solid-frame.html>; enlarged image of the hinge kit as published at the referenced URL address (2 pages).

Screen captures of a Wayback Machine Internet Archive showing images of a ‘1964-1967 Oldsmobile Cutlass Billet Hood Hinge Kit—Air Frame’ as published and offered for sale at least as early as Mar. 24, 2017 at the following URL: <http://ringbrothers.com:80/1964-1967-oldsmobile-cutlass-hood-hinge-kit-air-frame.html>; enlarged image of the hinge kit as published at the referenced URL address (2 pages).

Screen captures of a Wayback Machine Internet Archive showing images of a ‘1964-1967 Oldsmobile Cutlass Billet Hood Hinge

(56)

References Cited

OTHER PUBLICATIONS

Kit—Solid Frame’ as published and offered for sale at least as early as Mar. 24, 2017 at the following URL: <http://ringbrothers.com:80/1964-1967-oldsmobile-cutlass-hood-hinge-kit-solid-frame.html>; enlarged image of the hinge kit as published at the referenced URL address (2 pages).

Screen captures of a Wayback Machine Internet Archive showing images of a ‘1965-1966 Ford Mustang Billet Hood Hinge Kit—Solid Frame’ and a ‘1965-1966 Ford Mustang Billet Hood Hinge Kit—Air Frame’ as published and offered for sale at least as early as Apr. 15, 2016 at the following URL: <http://ringbrothers.com/hinges/hood-hinges/ford.html?cat=350>; enlarged images of the hinge kits as published at the referenced URL address (2 pages).

Screen captures of a Wayback Machine Internet Archive showing images of a ‘1965-1967 Chevelle/El Camino Billet Hood Hinge Kit—Solid Frame’ and a ‘1965-1967 Chevelle/El Camino Billet Hood Hinge Kit—Air Frame’ as published and offered for sale at least as early as Apr. 13, 2016 at the following URL: <http://ringbrothers.com/hinges/hood-hinges/chevrolet/chevelle-el-camino/1965-1967-chevelle-el-camino.html>; enlarged images of the hinge kits as published at the referenced URL address (2 pages).

Screen captures of a Wayback Machine Internet Archive showing images of a ‘1965-1967 Impala Billet Hood Hinge Kit—Solid Frame’ and a ‘1965-1967 Impala Billet Hood Hinge Kit—Air Frame’ as published and offered for sale at least as early as Apr. 13, 2016 at the following URL: <http://ringbrothers.com/hinges/hood-hinges/chevrolet/impala.html?dir=desc&order=position>; enlarged images of the hinge kits as published at the referenced URL address (2 pages).

Screen captures of a Wayback Machine Internet Archive showing images of a ‘1966-1967 GTO, Lemans, Tempest Billet Hood Hinge Kit—Solid Frame’ and a ‘1966-1967 GTO, Lemans, Tempest Billet Hood Hinge Kit—Air Frame’ as published and offered for sale at least as early as Jan. 3, 2017 at the following URL: <http://ringbrothers.com:80/hinges/hood-hinges/pontiac/gto-lemans-tempest/1966-1967-gto-lemans-tempest.html>; enlarged images of the hinge kits as published at the referenced URL address (2 pages).

Screen capture of a Wayback Machine Internet Archive showing images of a ‘1966-1967 Nova Billet Hood Hinge Kit—Air Frame (For Aftermarket Front Clips)’ as published and offered for sale at least as early as Apr. 14, 2016 at the following URL: <https://ringbrothers.com/1966-1967-nova-billet-hood-hinge-kit-air-frame-for-aftermarket-front-clips.html>; enlarged image of the hinge kit as published at the referenced URL address (2 pages).

Screen captures of a Wayback Machine Internet Archive showing images of a ‘1966-1967 Nova Billet Hood Hinge Kit—Solid Frame’ and a ‘1966-1967 Nova Billet Hood Hinge Kit—Air Frame’ as published and offered for sale at least as early as Apr. 15, 2016 at the following URL: <http://ringbrothers.com/hinges/hood-hinges/chevrolet/nova.html?cat=344>; enlarged images of the hinge kits as published at the referenced URL address (2 pages).

Screen captures of a Wayback Machine Internet Archive showing images of a ‘1966-1967 Nova Billet Hood Hinge Kit—Solid Frame (For Aftermarket Front Clips)’ as published and offered for sale at least as early as Apr. 13, 2016 at the following URL: <https://ringbrothers.com/1966-1967-nova-billet-hood-hinge-kit-solid-frame-for-aftermarket-front-clips.html>; enlarged image of the hinge kit as published at the referenced URL address (2 pages).

Screen captures of a Wayback Machine Internet Archive showing images of a ‘1966-1970 B-Body Billet Hood Hinge Kit—Solid Frame’ and a ‘1966-1970 B-Body Billet Hood Hinge Kit—Air Frame’ as published and offered for sale at least as early as Mar. 7, 2017 at the following URL: <http://ringbrothers.com:80/hinges/hood-hinges/mopar.html>; enlarged images of the hinge kits as published at the referenced URL address (2 pages).

Screen captures of a Wayback Machine Internet Archive showing images of a ‘1967-1968 Mustang Billet Hood Hinge Kit—Air Frame’ as published and offered for sale at least as early as Apr. 5, 2017 at the following URL: [https://ringbrothers.com/1967-1968-](https://ringbrothers.com/1967-1968-mustang-billet-hood-hinge-kit-air-frame.html)

[mustang-billet-hood-hinge-kit-air-frame.html](https://ringbrothers.com/1967-1968-mustang-billet-hood-hinge-kit-air-frame.html); enlarged image of the hinge kit as published at the referenced URL address (2 pages).

Screen captures of a Wayback Machine Internet Archive showing images of a ‘1967-1968 Mustang Billet Hood Hinge Kit—Solid Frame’ as published and offered for sale at least as early as Apr. 14, 2016 at the following URL: <https://ringbrothers.com/1967-1968-mustang-billet-hood-hinge-kit-solid-frame.html>; enlarged image of the hinge kit as published at the referenced URL address (2 pages).

Screen captures of a Wayback Machine Internet Archive showing images of a ‘1967-1969 Camaro Billet Hood Hinge Kit—Solid Frame’ and a ‘1967-1969 Camaro Billet Hood Hinge Kit—Air Frame’ as published and offered for sale at least as early as Apr. 14, 2016 at the following URL: <http://ringbrothers.com/hinges/hood-hinges/chevrolet/camaro/1967-1969-camaro.html?dir=desc&order=position>; enlarged images of the hinge kits as published at the referenced URL address (2 pages).

Screen captures of a Wayback Machine Internet Archive showing images of a ‘1967-1969 Firebird Billet Hood Hinge Kit—Solid Frame’ and a ‘1967-1969 Firebird Billet Hood Hinge Kit—Air Frame’ as published and offered for sale at least as early as Apr. 13, 2016 at the following URL: <http://ringbrothers.com/hinges/hood-hinges/pontiac/firebird/1967-1969-firebird.html?dir=desc&order=position>; enlarged images of the hinge kits as published at the referenced URL address (2 pages).

Screen captures of a Wayback Machine Internet Archive showing images of a ‘1967-1970 Cougar Billet Hood Hinge Kit—Air Frame’ as published and offered for sale at least as early as Apr. 21, 2016 at the following URL: <http://ringbrothers.com/hinges/hood-hinges/mercury.html?dir=desc&order=position>; enlarged image of the hinge kit as published at the referenced URL address (2 pages).

Screen captures of a Wayback Machine Internet Archive showing images of a ‘1967-1969 Cougar Billet Hood Hinge Kit—Solid Frame’ as published and offered for sale at least as early as Jul. 11, 2016 at the following URL: <http://ringbrothers.com:80/1976-1970-cougar-billet-hood-hinge-kit-solid-frame.html>; enlarged image of the hinge kit as published at the referenced URL address (2 pages).

Screen captures of a Wayback Machine Internet Archive showing images of a ‘Chevy/GMC Truck Billet Hood Hinge Kit—Solid Frame’ and a ‘Chevy/GMC Truck Billet Hood Hinge Kit—Air Frame’ as published and offered for sale at least as early as Apr. 13, 2016 at the following URL: <http://ringbrothers.com/hinges/hood-hinges/chevrolet/chevy-gmc-truck.html?dir=desc&order=position>; enlarged images of the hinge kits as published at the referenced URL address (2 pages).

Screen captures of a Wayback Machine Internet Archive showing images of a ‘1968-1969 Chevelle/El Camino Billet Hood Hinge Kit—Solid Frame’ and a ‘1968-1969 Chevelle/El Camino Billet Hood Hinge Kit—Air Frame’ as published and offered for sale at least as early as Apr. 14, 2016 at the following URL: <http://ringbrothers.com/hinges/hood-hinges/chevrolet/chevelle-el-camino/1968-1969-chevelle-el-camino.html>; enlarged images of the hinge kits as published at the referenced URL address (2 pages).

Screen captures of a Wayback Machine Internet Archive showing images of a ‘1968-1972 GTO, Lemans, Tempest Billet Hood Hinge Kit—Air Frame’ and a ‘1968-1972 GTO, Lemans, Tempest Billet Hood Hinge Kit—Solid Frame’ as published and offered for sale at least as early as Jan. 3, 2017 at the following URL: <http://ringbrothers.com:80/hinges/hood-hinges/pontiac/gto-lemans-tempest/1968-1972-gto-lemans-tempest.html>; enlarged images of the hinge kits as published at the referenced URL address (2 pages).

Screen captures of a Wayback Machine Internet Archive showing images of a ‘1968-1974 Nova Billet Hood Hinge Kit—Solid Frame’ and a ‘1968-1974 Nova Billet Hood Hinge Kit—Air Frame’ as published and offered for sale at least as early as Apr. 13, 2016 at the following URL: <http://ringbrothers.com/hinges/hood-hinges/chevrolet/nova.html?cat=345>; enlarged images of the hinge kits as published at the referenced URL address (2 pages).

Screen captures of a Wayback Machine Internet Archive showing images of a ‘1968-1974 Ventura Billet Hood Hinge Kit—Solid Frame’ and a ‘1968-1974 Ventura Billet Hood Hinge Kit—Air Frame’ as published and offered for sale at least as early as Jan. 3, 2017 at the following URL: [http://ringbrothers.com:80/hinges/hood-](http://ringbrothers.com:80/hinges/hood-hinges/chevrolet/ventura.html)

(56)

References Cited

OTHER PUBLICATIONS

hinges/pontiac/ventura.html; enlarged images of the hinge kits as published at the referenced URL address (2 pages).

Screen captures of a Wayback Machine Internet Archive showing images of a '1969-1970 Mustang Billet Hood Hinge Kit—Solid Frame' and a '1969-1970 Mustang Billet Hood Hinge Kit—Air Frame' as published and offered for sale at least as early as Jan. 3, 2017 at the following URL: <http://ringbrothers.com:80/hinges/hood-hinges/ford/1969-1970-mustang.html>; enlarged images of the hinge kits as published at the referenced URL address (2 pages).

Screen captures of a Wayback Machine Internet Archive showing images of a '1970 Impala Billet Hood Hinge Kit—Solid Frame' and a '1970 Impala Billet Hood Hinge Kit—Air Frame' as published and offered for sale at least as early as Apr. 13, 2016 at the following URL: <http://ringbrothers.com/hinges/hood-hinges/chevrolet/impala.html?dir=desc&order=position>; enlarged images of the hinge kits as published at the referenced URL address (2 pages).

Screen captures of a Wayback Machine Internet Archive showing images of a '1970-1972 Chevelle/El Camino Billet Hood Hinge Kit—Solid Frame' and a '1970-1972 Chevelle/El Camino Billet Hood Hinge Kit—Air Frame' as published and offered for sale at least as early as Apr. 14, 2016 at the following URL: <http://ringbrothers.com/hinges/hood-hinges/chevrolet/chevelle-el-camino.html?cat=335>; enlarged images of the hinge kits as published at the referenced URL address (2 pages).

Screen captures of a Wayback Machine Internet Archive showing images of a '1970-1972 Monte Carlo Billet Hood Hinge Kit—Air Frame' as published and offered for sale at least as early as Apr. 24, 2016 at the following URL: <http://ringbrothers.com/hinges/hood-hinges/chevrolet/monte-carlo.html?dir=desc&order=position>; enlarged image of the hinge kit as published at the referenced URL address (2 pages).

Screen captures of a Wayback Machine Internet Archive showing images of a '1970-1974 E-Body Billet Hood Hinge Kit—Air Frame' as published and offered for sale at least as early as Apr. 1, 2017 at the following URL: <https://ringbrothers.com/1970-1974-e-body-billet-hood-hinge-kit-air-frame.html>; enlarged image of the hinge kit as published at the referenced URL address (2 pages).

Screen captures of a Wayback Machine Internet Archive showing images of a '1970-1974 E-Body Billet Hood Hinge Kit—Solid Frame' as published and offered for sale at least as early as Sep. 2, 2016, at the following URL: <http://ringbrothers.com/80/1970-1974-e-body-billet-hood-hinge-kit-solid-frame.html>; enlarged image of the hinge kit as published at the referenced URL address (2 pages).

Screen captures of a Wayback Machine Internet Archive showing images of a '1970-1981 Camaro Billet Hood Hinge Kit—Solid Frame' and a '1970-1981 Camaro Billet Hood Hinge Kit—Air Frame' as published and offered for sale at least as early as Apr. 15, 2016, at the following URL: <https://ringbrothers.com/hinges/hood-hinges/chevrolet/camaro.html?cat=330>; enlarged images of the hinge kits as published at the referenced URL address (2 pages).

Screen captures of a Wayback Machine Internet Archive showing images of a '1970-1981 Firebird Billet Hood Hinge Kit—Air Frame' and a '1970-1981 Firebird Billet Hood Hinge Kit—Solid Frame' as published and offered for sale at least as early as Jan. 14, 2016, at the following URL: <https://ringbrothers.com/hinges.html>; enlarged images of the hinge kits as published at the referenced URL address (2 pages).

Screen captures of a Wayback Machine Internet Archive showing images of a 'HQ-WB Holden Monaro And LH-UC Torana Billet Hood Hinge Kit—Air Frame' as published and offered for sale at least as early as Apr. 14, 2016, at the following URL: <https://ringbrothers.com/1968-1971-holden-monaro-billet-hood-hinge-kit-air-frame.html>; enlarged image of the hinge kit as published at the referenced URL address (2 pages).

Screen captures of a Wayback Machine Internet Archive showing images of a 'HQ-WB Holden Monaro And LH-UC Torana Billet Hood Hinge Kit—Solid Frame' as published and offered for sale at least as early as Apr. 14, 2016, at the following URL: <http://ringbrothers.com/1968-1971-holden-monaro-billet-hood-hinge-kit-solid-frame.html>; enlarged image of the hinge kit as published at the referenced URL address (2 pages).

Screen captures of a Wayback Machine Internet Archive showing images of a 'Ford Falcon Billet Hood Hinge Kit—Air Frame' as published and offered for sale at least as early as Apr. 14, 2016, at the following URL: <http://ringbrothers.com/hinges/hood-hinges/ford-australia.html?dir=desc&order=position>; enlarged image of the hinge kit as published at the referenced URL address (2 pages).

PageVault Screen captures of a Wayback Machine Internet Archive showing images of a '1982-1992 Firebird Billet Hood Hinge Kit—Air Frame' as published at the following URL: <https://web.archive.org/web/20190324155203/https://ringbrothers.com/hinges/hood-hinges/pontiac/firebird/1982-1992-firebird.html> believed to be publicly available at least as early as May 10, 2018 (2 pages).

PageVault Screen captures of a Wayback Machine Internet Archive showing images of a '1982-1992 Camaro Billet Hood Hinge Kit—Air Frame' as published at the following URL: <https://web.archive.org/web/20190324143949/https://ringbrothers.com/hinges/hood-hinges/chevrolet/camaro/1982-1992.html> believed to be publicly available at least as early as May 10, 2018 (2 pages).

Screen captures of a Wayback Machine Internet Archive showing images of a '1973-1977 Monte Carlo Billet Hood Hinge Kit—Solid Frame' and a '1973-1977 Monte Carlo Billet Hood Hinge Kit—Air Frame' as published and offered for sale at least as early as May 8, 2018, at the following URL: <https://ringbrothers.com/hinges/hood-hinges/chevrolet/monte-carlo/1973-1977-monte-carlos.html>; enlarged images of the hinge kits as published at the referenced URL address (2 pages).

Screen captures of a Wayback Machine Internet Archive showing images of a '1973-1980 Chevy/GMC Truck Hood Hinge Kit—Solid Frame' and a '1973-1980 Chevy/GMC Hood Hinge Kit—Air Frame' as published and offered for sale at least as early as Aug. 1, 2018, at the following URL: <https://ringbrothers.com/hinges/hood-hinges/chevrolet/chevy-gmc-truck/1973-1980-chevy-gmc-truck.html>; enlarged images of the hinge kits as published at the referenced URL address (2 pages).

Notice of Allowance dated Oct. 29, 2020, issued in related U.S. Appl. No. 29/682,895, 15 pages.

Notice of Allowance dated Oct. 29, 2020, issued in related U.S. Appl. No. 29/682,885, 15 pages.

Office Action dated May 25, 2021, issued in related U.S. Appl. No. 29/747,896, 8 pages.

Office Action dated May 25, 2021, issued in related U.S. Appl. No. 29/732,207, 8 pages.

Office Action dated May 25, 2021, issued in related U.S. Appl. No. 29/732,215, 8 pages.

Screen captures of a Wayback Machine Internet Archive showing images of a '1973-1977 Cutlass Billet Hood Hinge Kit—Solid Frame' and a '1973-1977 Cutlass Billet Hood Hinge Kit—Air Frame' as published and offered for sale at least as early as May 8, 2018, at the following URL: <https://ringbrothers.com/hinges/hood-hinges/oldsmobile/1973-1977-cutlass.html>; enlarged images of the hinge kits as published at the referenced URL address (2 pages).

Screen captures of a Wayback Machine Internet Archive showing images of a '1973-1977 Chevelle Billet Hood Hinge Kit—Solid Frame' and a '1973-1977 Chevelle Billet Hood Hinge Kit—Air Frame' as published and offered for sale at least as early as May 8, 2018, at the following URL: <https://ringbrothers.com/hinges/hood-hinges/chevrolet/chevelle-el-camino/1973-1977-chevelle.html>; enlarged images of the hinge kits as published at the referenced URL address (2 pages).

* cited by examiner

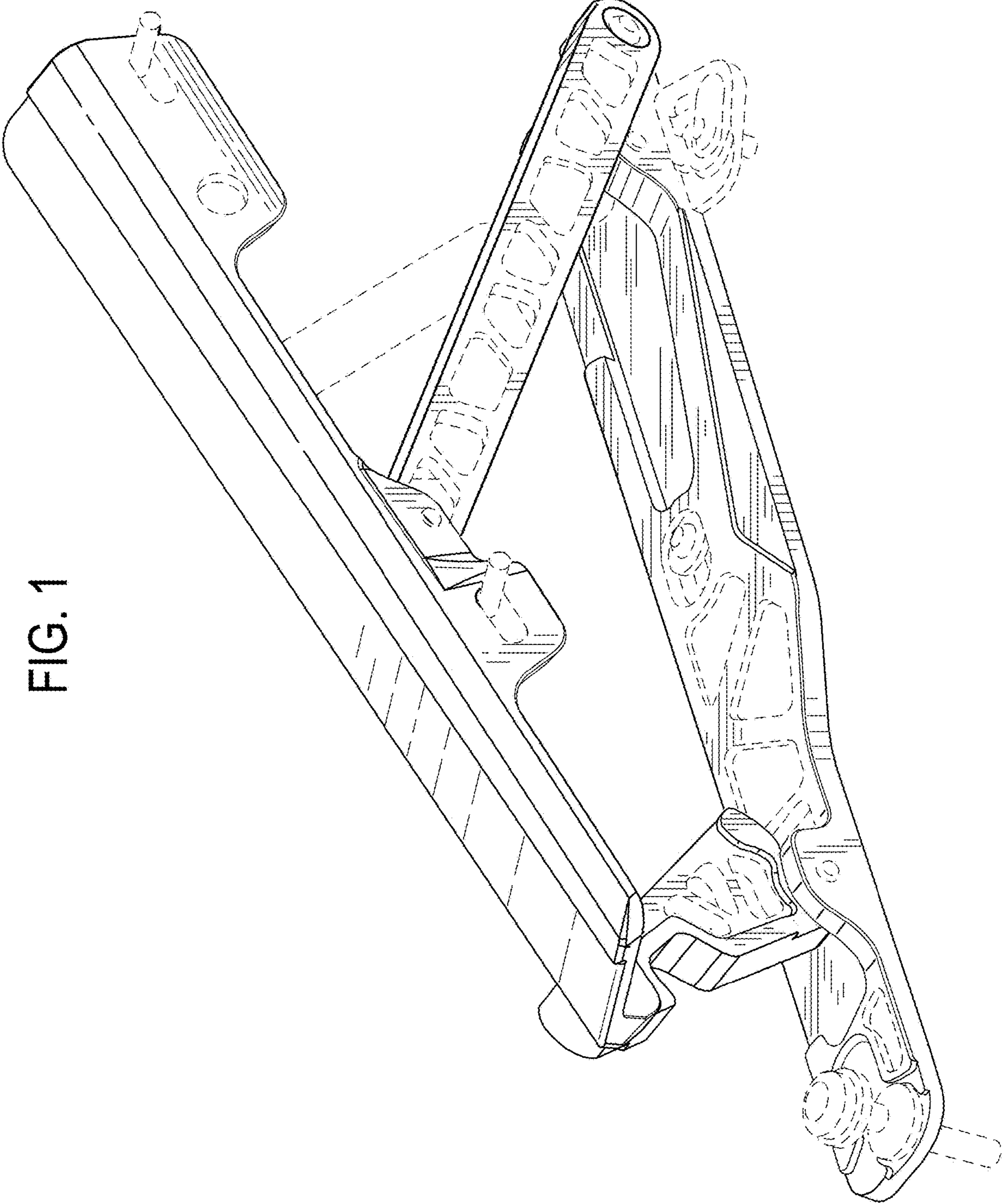
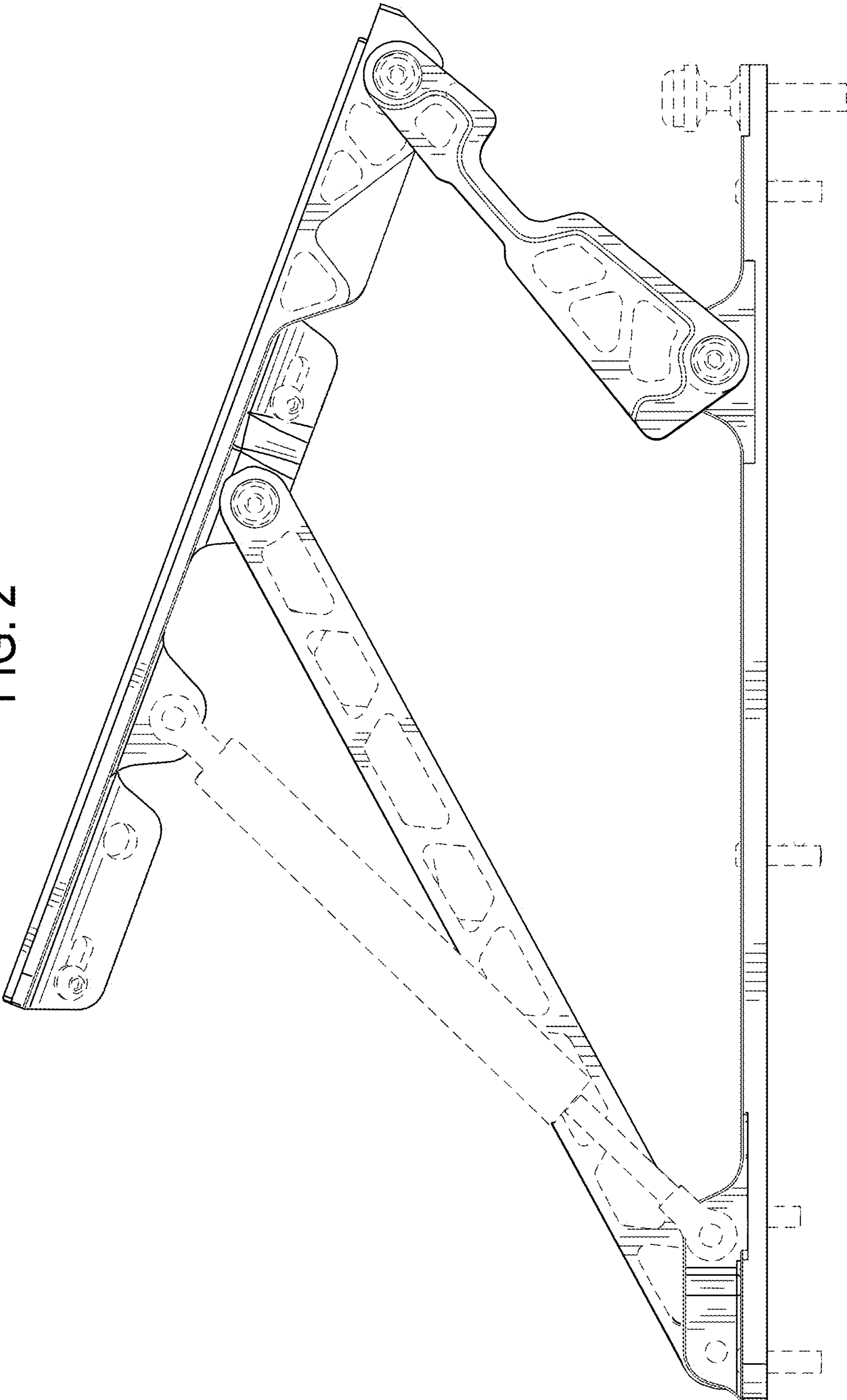


FIG. 1

FIG. 2



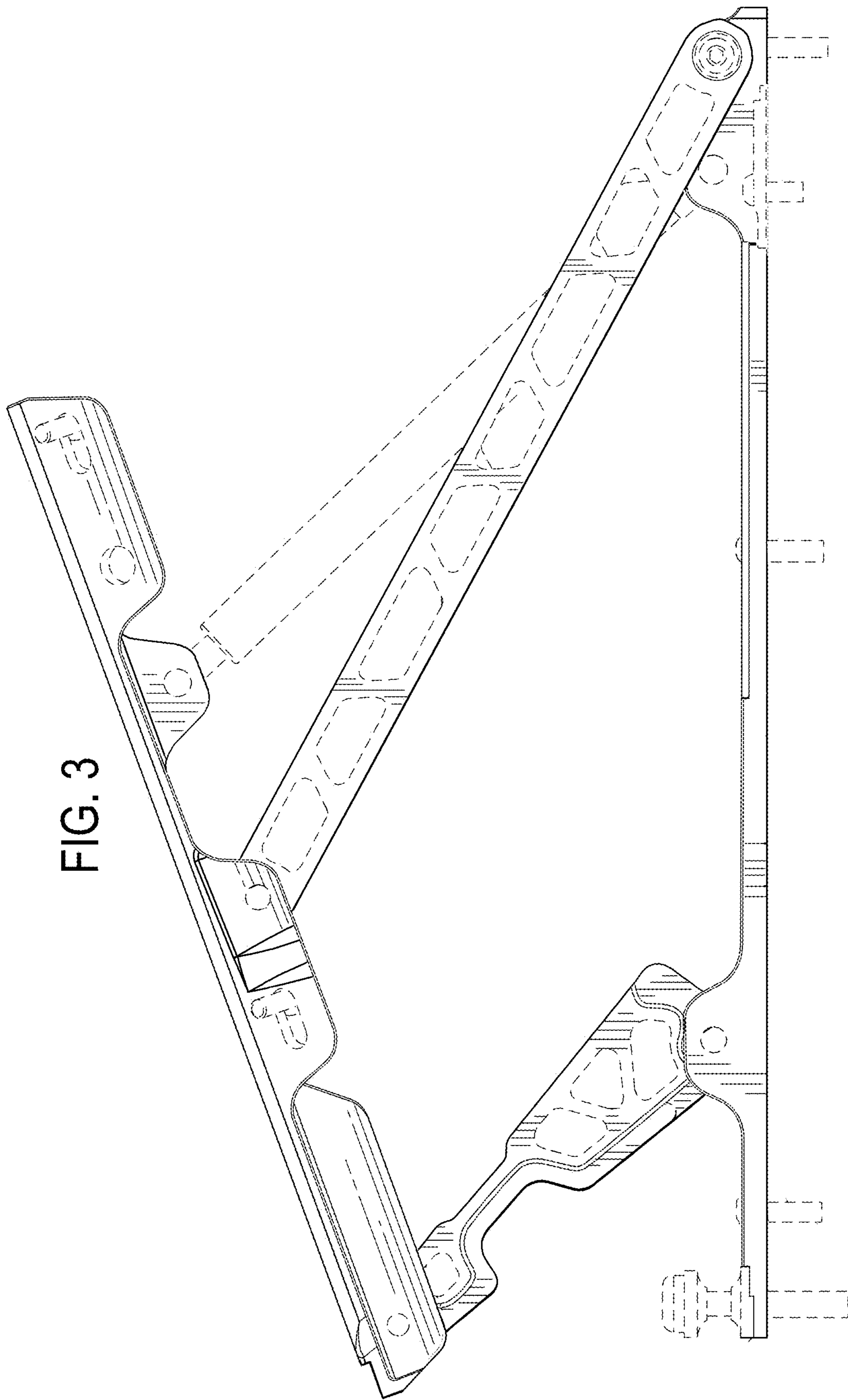


FIG. 3

FIG. 4

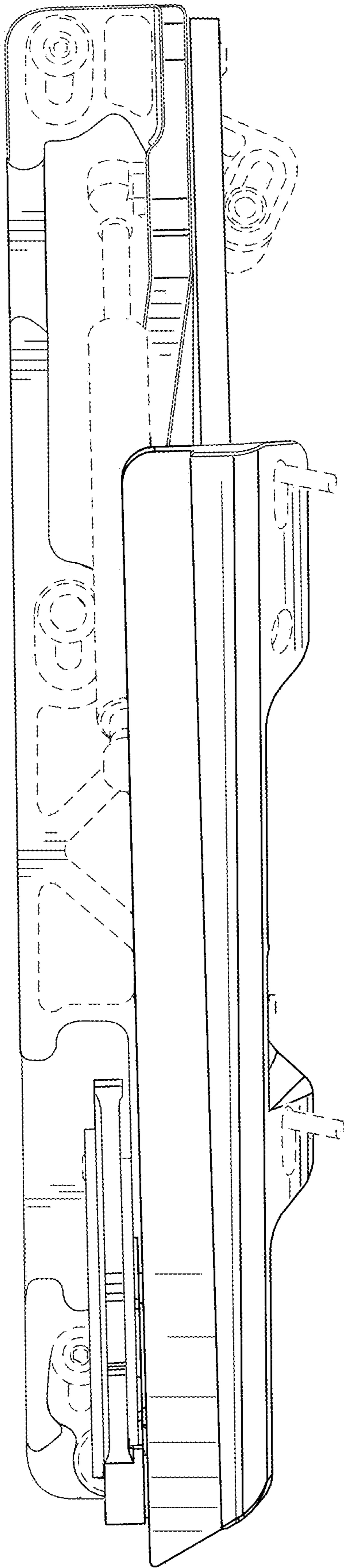


FIG. 5

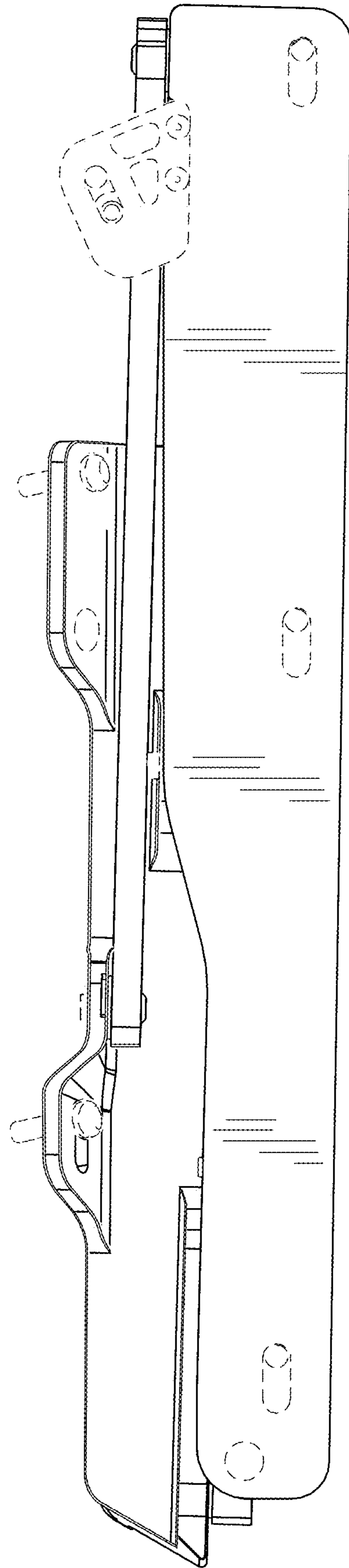


FIG. 7

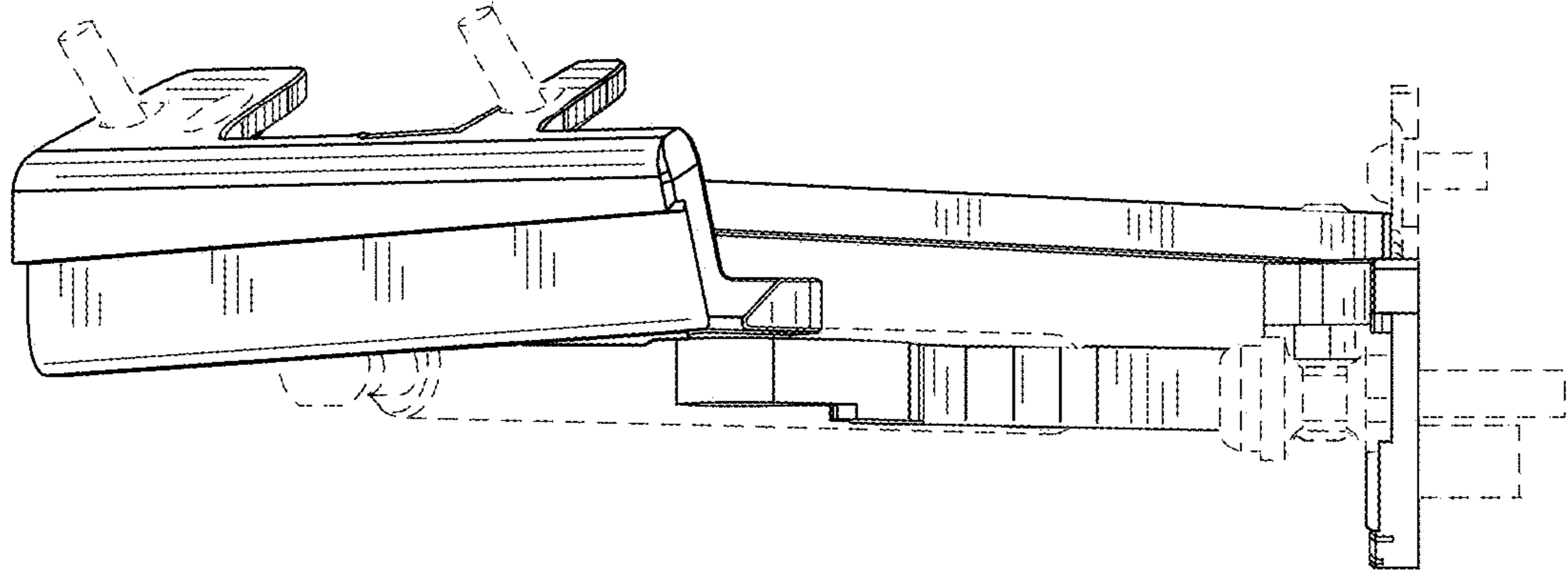


FIG. 6

