



US00D961482S

(12) **United States Design Patent** (10) **Patent No.:** **US D961,482 S**
Tran (45) **Date of Patent:** **** Aug. 23, 2022**

(54) **WHEEL**
(71) Applicant: **Wheel Pros, LLC**, Greenwood Village, CO (US)
(72) Inventor: **Peter Tran**, Lake Hughes, CA (US)
(**) Term: **15 Years**
(21) Appl. No.: **29/762,021**

D829,152 S 9/2018 Caldwell
D835,022 S 12/2018 Kong
D842,186 S 3/2019 Kong
D845,861 S 4/2019 Tran
D849,657 S 5/2019 Kong
10,357,993 B2* 7/2019 Muller B60B 1/08
D860,901 S 9/2019 Licklitter
D860,904 S * 9/2019 Milani D12/209
D860,908 S * 9/2019 Han D12/209
D904,274 S * 12/2020 Sempek D12/211
D904,963 S 12/2020 Hale, Jr.
D926,655 S * 8/2021 Licklitter D12/209

(Continued)

(22) Filed: **Dec. 14, 2020**
(51) **LOC (13) Cl.** **12-16**
(52) **U.S. Cl.**
USPC **D12/209**
(58) **Field of Classification Search**
USPC D12/204–213; D21/563
CPC B60B 21/00; B60B 21/02; B60B 21/08;
B60B 21/10; B60B 21/12; B60B 21/06;
B60B 23/00
See application file for complete search history.

FOREIGN PATENT DOCUMENTS

WO WO-D220241-001 * 4/2022

OTHER PUBLICATIONS

“16x6 820M Twisted Gloss Black Aluminum Trailer Wheel” Trailer Wheels., posted date Oct. 31, 2021 [online], [retrieved on May 5, 2020]. Retrieved from the Internet <URL: https://www.trailer-wheels.com/16x6-820M-Twisted-Gloss-Black-Aluminum-Trailer-Wheel-8x650-820M-66080_p_1670.html#.YnRbqHbMJJaQ> (Year: 2021).*

(Continued)

(56) **References Cited**

U.S. PATENT DOCUMENTS

D273,102 S 3/1984 Woodward
D453,724 S 2/2002 Hodges
D464,010 S 10/2002 Chung
D519,433 S 4/2006 Finn
D550,600 S 9/2007 Celik
D576,093 S 9/2008 Chung
D582,827 S 12/2008 Musser
D612,316 S 3/2010 Sanschagrín
D680,938 S 4/2013 Hale
D711,304 S 8/2014 Chung
D758,276 S 6/2016 Licklitter
D787,407 S * 5/2017 Chung D12/211
D800,630 S 10/2017 Tran
D822,575 S 7/2018 Chung
D824,314 S 7/2018 Chung
D824,316 S 7/2018 Tran
D828,271 S * 9/2018 Han D12/211
D828,878 S * 9/2018 Sprowl D21/563

Primary Examiner — Darlington Ly
Assistant Examiner — Nasim Abdulaziz Ali
(74) *Attorney, Agent, or Firm* — Eric Hanscom

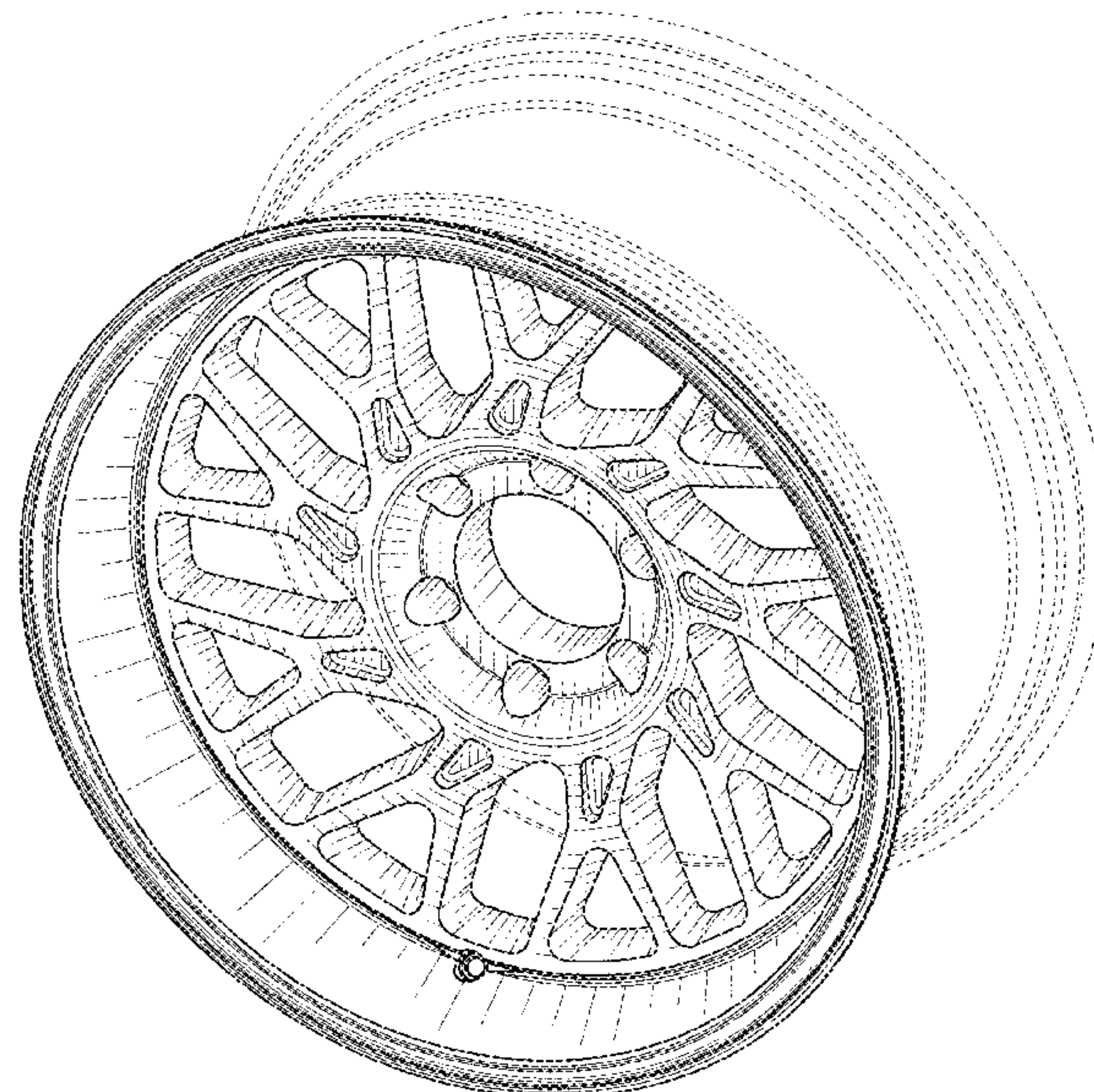
(57) **CLAIM**

The ornamental design for a wheel, as shown and described.

DESCRIPTION

FIG. 1 is a front perspective view of a wheel showing my new design; and,
FIG. 2 is a front elevation view thereof.
The broken line in the drawings illustrate portions of the wheel that form no part of the claimed design.

1 Claim, 2 Drawing Sheets



(56)

References Cited

U.S. PATENT DOCUMENTS

D931,178	S	*	9/2021	Podlovits	D12/209
D936,549	S	*	11/2021	Sempek	D12/209
D941,724	S	*	1/2022	Sempek	D12/209
D941,725	S	*	1/2022	Sempek	D12/209
D943,484	S	*	2/2022	Sempek	D12/209
D944,174	S	*	2/2022	Swerdloff	D12/209
D944,704	S	*	3/2022	Anscheidt	D12/209
D945,342	S	*	3/2022	Sempek	D12/209
D945,344	S	*	3/2022	Abderrazak	D12/209
D945,348	S	*	3/2022	Sempek	D12/211
D946,484	S	*	3/2022	Johnson	D12/209
D947,740	S	*	4/2022	Bernoni	D12/209
D947,741	S	*	4/2022	Manzoni	D12/209
2022/0080784	A1	*	3/2022	Yoon	B60B 21/026
2022/0118793	A1	*	4/2022	Kerkvliet	B60B 21/125

OTHER PUBLICATIONS

“Raceline Wheels 944 Outlander” SoCal Custom Wheels., posted date Mar. 20, 2019 [online], [retrieved on May 5, 2020]. Retrieved from the Internet <URL: <https://www.socalcustomwheels.com/944-outlander-gloss-black-6-lug-w-54008.htm>> (Year: 2019).*

“Touren TR60 18 Black Wheel/Rim” Motosport., posted date Oct. 14, 2012 [online], [retrieved on May 5, 2020]. Retrieved from the Internet <URL: https://www.amazon.com/Touren-Black-Offset-Partnumber-3260-8811MB/dp/B009LR2CMM/ref=sr_1_12?keywords=car+wheel+rims&qid=1651791685&sr=8-12> (Year: 2012).*

* cited by examiner

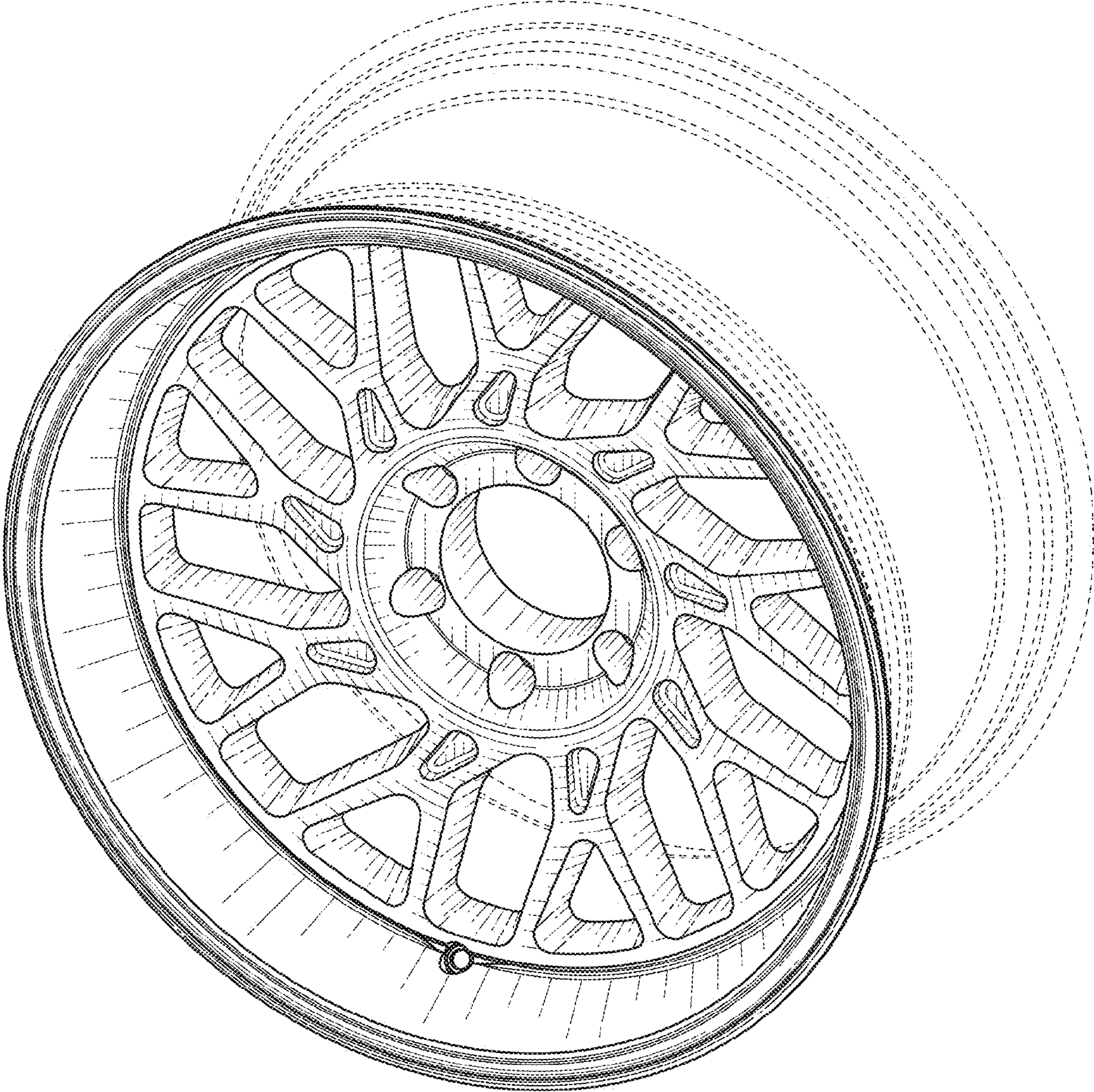


FIG. 1

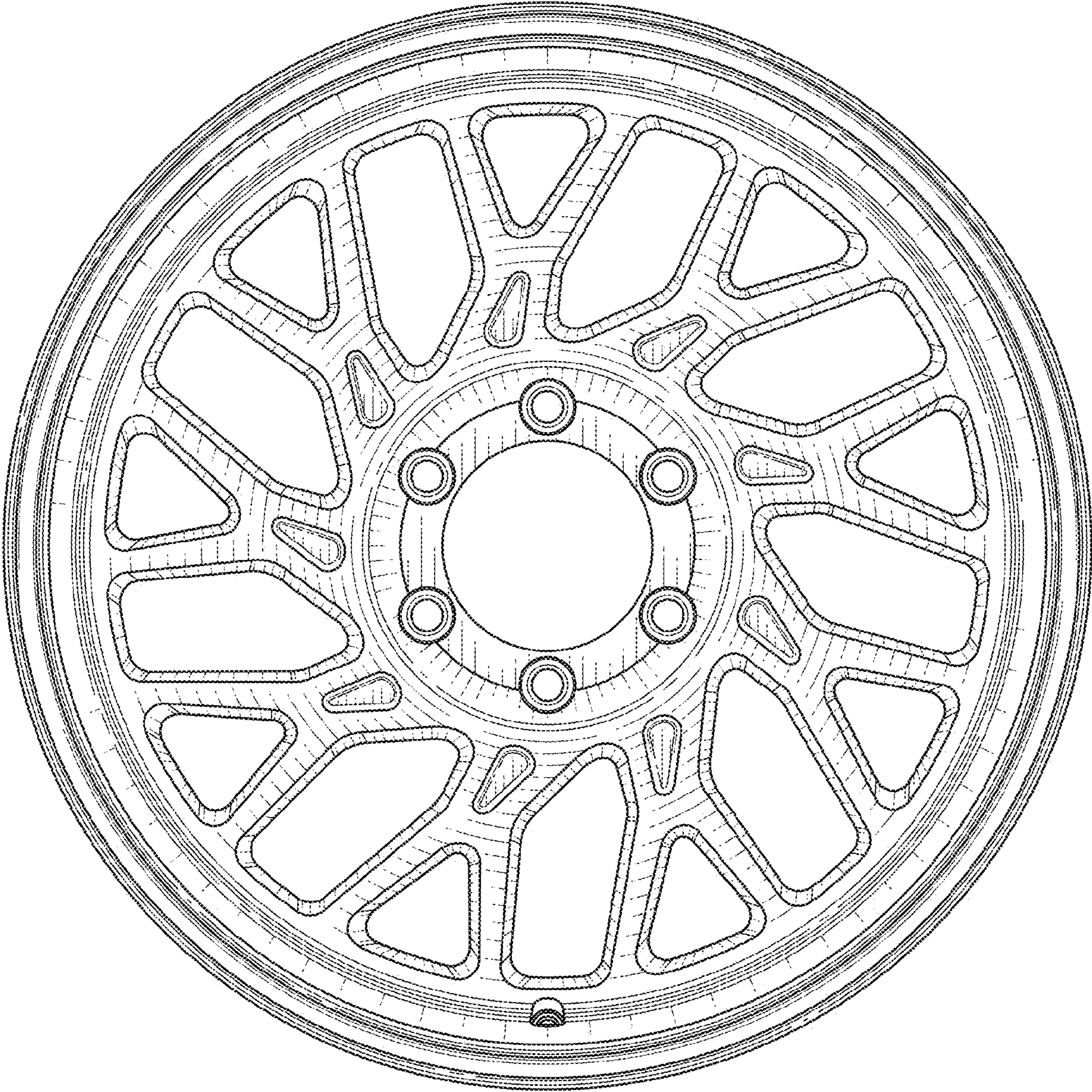


FIG. 2