



US00D961481S

(12) **United States Design Patent** (10) **Patent No.:** **US D961,481 S**
Tran (45) **Date of Patent:** **** Aug. 23, 2022**

(54) **WHEEL**
(71) Applicant: **Wheel Pros, LLC**, Greenwood Village, CO (US)
(72) Inventor: **Peter Tran**, Lake Hughes, CA (US)
(73) Assignee: **Wheel Pros LLC**
(**) Term: **15 Years**
(21) Appl. No.: **29/761,327**
(22) Filed: **Dec. 8, 2020**
(51) **LOC (13) Cl.** **12-16**
(52) **U.S. Cl.**
USPC **D12/209**
(58) **Field of Classification Search**
USPC D12/204–213; D21/563
CPC B60B 7/00; B60B 7/01; B60B 7/02; B60B 7/04; B60B 7/06; B60B 3/02; B60B 3/04; B60B 3/06; B60B 3/10; B60B 1/00; B60B 1/08; B60B 1/10; B60B 1/12
See application file for complete search history.

D711,304 S 8/2014 Chung
D758,276 S 6/2016 Lickliter
D800,628 S * 10/2017 Tran D12/209
D800,630 S 10/2017 Tran
D817,844 S * 5/2018 Hale, Jr. D12/209
D822,575 S 7/2018 Chung
D823,214 S * 7/2018 Chung D12/209
D824,314 S 7/2018 Chung
D824,316 S 7/2018 Tran
D826,827 S * 8/2018 Tran D12/209
D829,152 S 9/2018 Caldwell
D833,942 S * 11/2018 Chung D12/209
D835,022 S 12/2018 Kong
D842,186 S 3/2019 Kong
D845,861 S 4/2019 Tran
D849,657 S 5/2019 Kong
D856,245 S * 8/2019 Hale, Jr. D12/209
D860,901 S 9/2019 Lickliter
D904,963 S 12/2020 Hale, Jr.

(Continued)

OTHER PUBLICATIONS

KM548 Chase, Published Apr. 28, 2021 [online], [retrieved on Jun. 18, 2022]. Retrieved from the Internet: <https://www.amazon.com/dp/B093RD7L78> (Year: 2021).*

Primary Examiner — Cary M Robinson
Assistant Examiner — Adam C Mager
(74) *Attorney, Agent, or Firm* — Eric Hanscom

(56) **References Cited**

U.S. PATENT DOCUMENTS

1,530,863 A * 3/1925 Vanderveer B60B 1/08
301/65
D236,610 S * 9/1975 Clement D12/209
D273,102 S 3/1984 Woodward
D333,648 S * 3/1993 Schwenk D12/209
D453,724 S 2/2002 Hodges
D464,010 S 10/2002 Chung
D519,433 S 4/2006 Finn
D550,600 S 9/2007 Celik
D576,093 S 9/2008 Chung
D582,827 S 12/2008 Musser
D612,316 S 3/2010 Sanschagrín
D659,063 S * 5/2012 Johnson D12/209
D680,938 S 4/2013 Hale

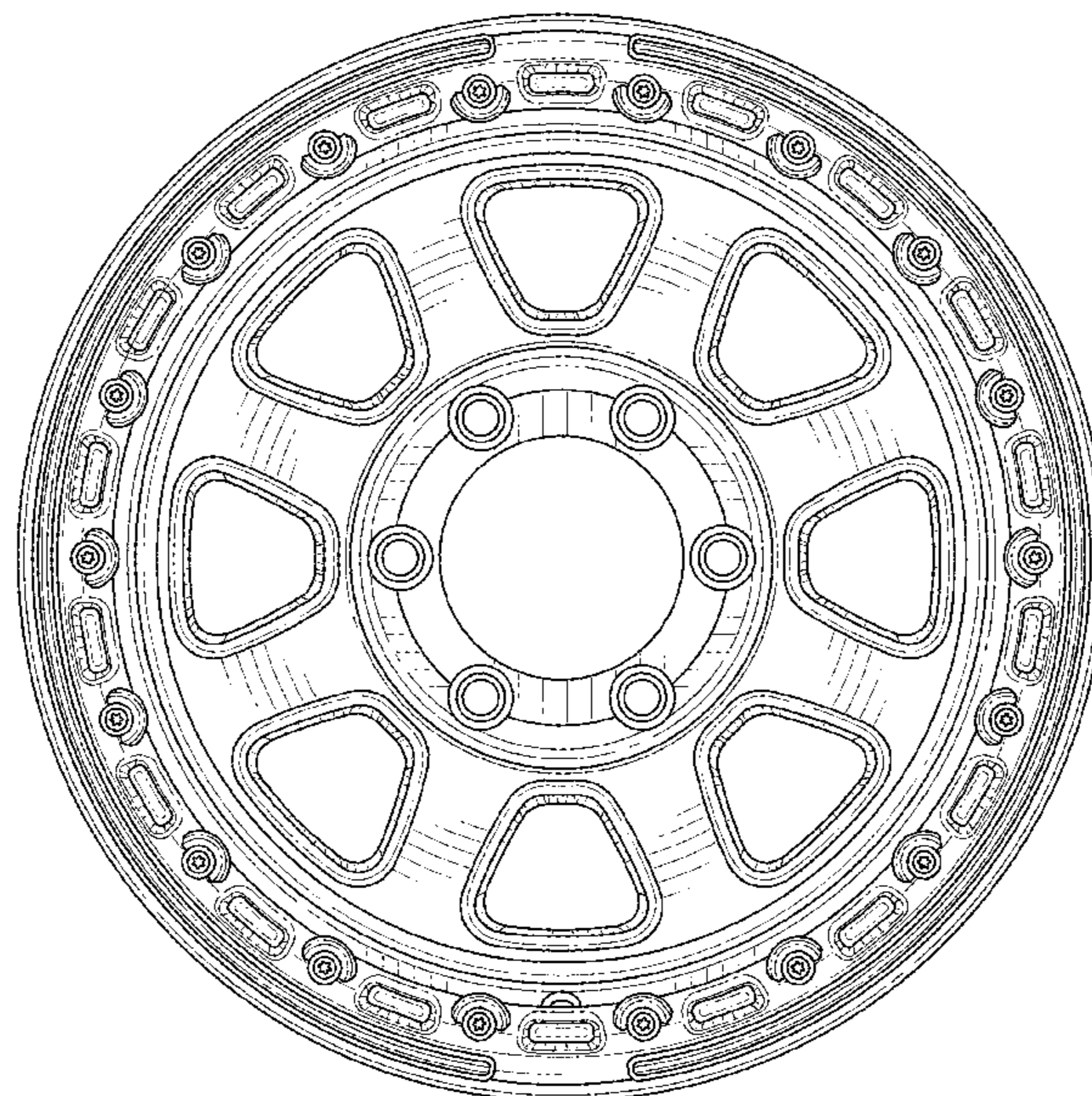
(57) **CLAIM**

The ornamental design for a wheel, as shown and described.

DESCRIPTION

FIG. 1 is a perspective view of a wheel showing my new design; and,
FIG. 2 is a front view thereof.
The broken lines shown in the drawings are included for the purpose of illustrating environmental structure and form no part of the claimed design.

1 Claim, 2 Drawing Sheets



(56)

References Cited

U.S. PATENT DOCUMENTS

D941,725 S * 1/2022 Sempek D12/209
D941,728 S * 1/2022 Kleinschuster D12/209
D942,348 S * 2/2022 Kleinschuster D12/209

* cited by examiner

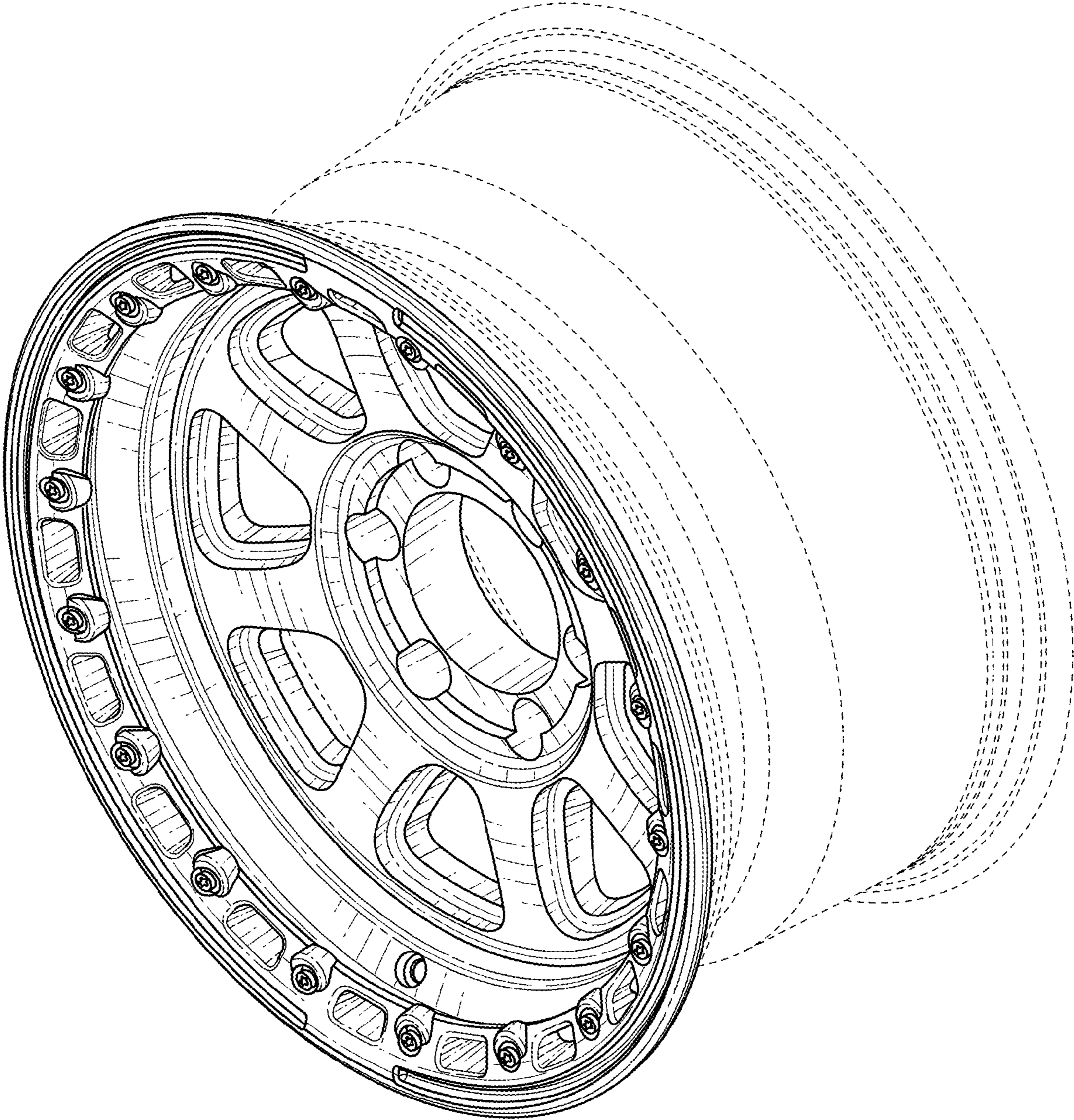


FIG. 1

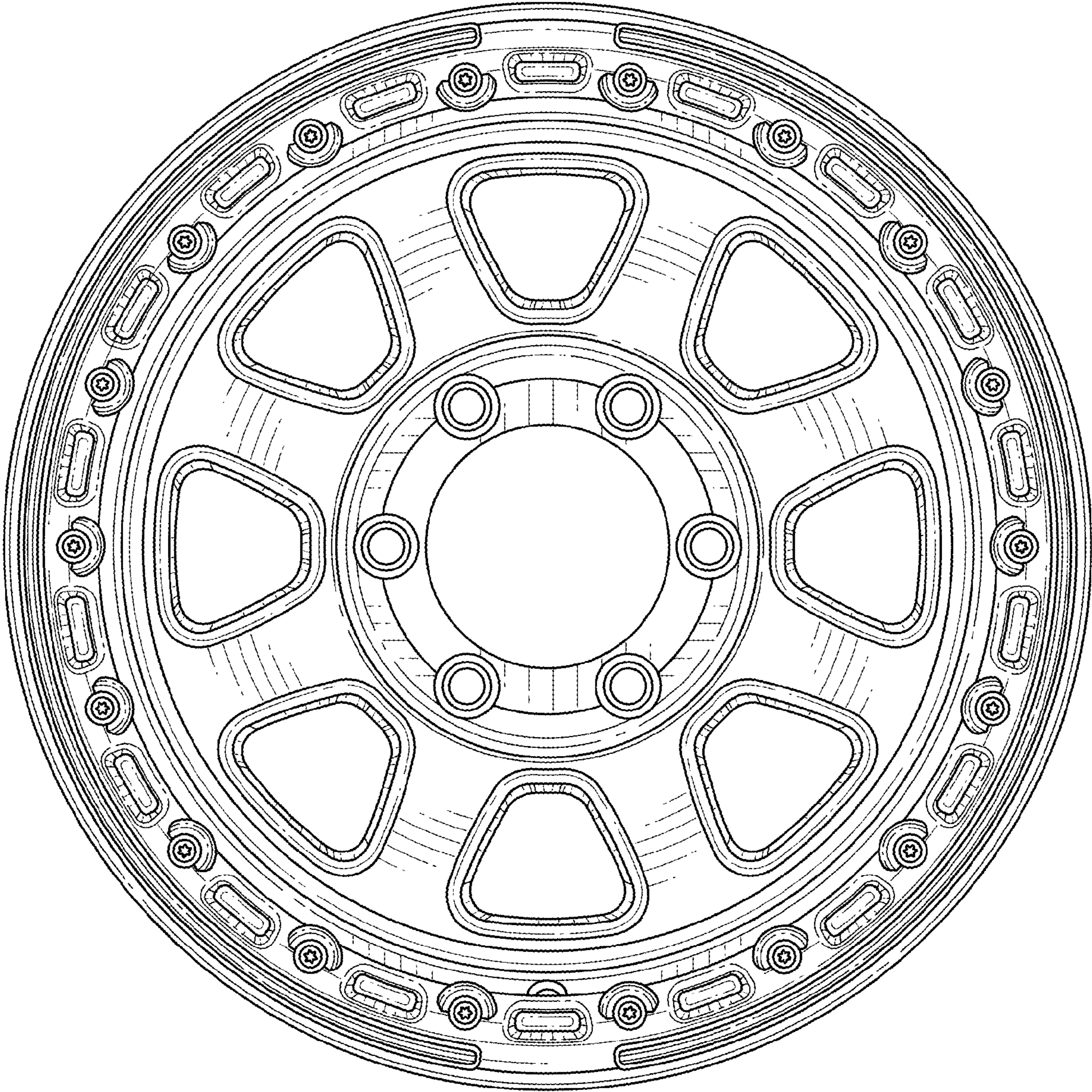


FIG. 2