



US00D961474S

(12) **United States Design Patent**
Wu

(10) **Patent No.:** **US D961,474 S**
(45) **Date of Patent:** **** Aug. 23, 2022**

- (54) **MUFFLER**
- (71) Applicant: **Conghuo Wu**, Guangzhou (CN)
- (72) Inventor: **Conghuo Wu**, Guangzhou (CN)
- (**) Term: **15 Years**
- (21) Appl. No.: **29/798,663**
- (22) Filed: **Jul. 9, 2021**
- (51) **LOC (13) Cl.** **12-16**
- (52) **U.S. Cl.**
USPC **D12/194**
- (58) **Field of Classification Search**
USPC D15/1-6, 14, 17; D12/194; D13/147;
D23/233, 386, 387, 393
CPC F02M 35/048; F02M 35/10137; F02M
35/1255; F02M 35/161; F01N 13/00;
F01N 13/08; F01N 13/087; F01N 13/20;
F01N 3/0335; F01N 1/003; F01N 1/10;
F01N 2590/04; F01N 2470/20
See application file for complete search history.

D767,456 S 9/2016 Finnie
D802,507 S * 11/2017 Ochoa D12/194
D808,875 S 1/2018 Hasegawa
(Continued)

FOREIGN PATENT DOCUMENTS

CN 301253534 * 6/2009

OTHER PUBLICATIONS

Uxcell, 51mm Inlet Dia Silver Tone Cylinder Motorcycle Exhaust Pipe Muffler Silencer, (First available May 19, 2017), Amazon.com, URL: <<https://www.amazon.co.uk/uxcell-Cylinder-Motorcycle-Exhaust-Silencer/dp/B0719LZD6G>> (Year: 2017).*

(Continued)

Primary Examiner — Calvin E Vansant
Assistant Examiner — Mark T. Philipps
(74) *Attorney, Agent, or Firm* — Rumit Ranjit Kanakia

(57) **CLAIM**

The ornamental design for a muffler, as shown and described.

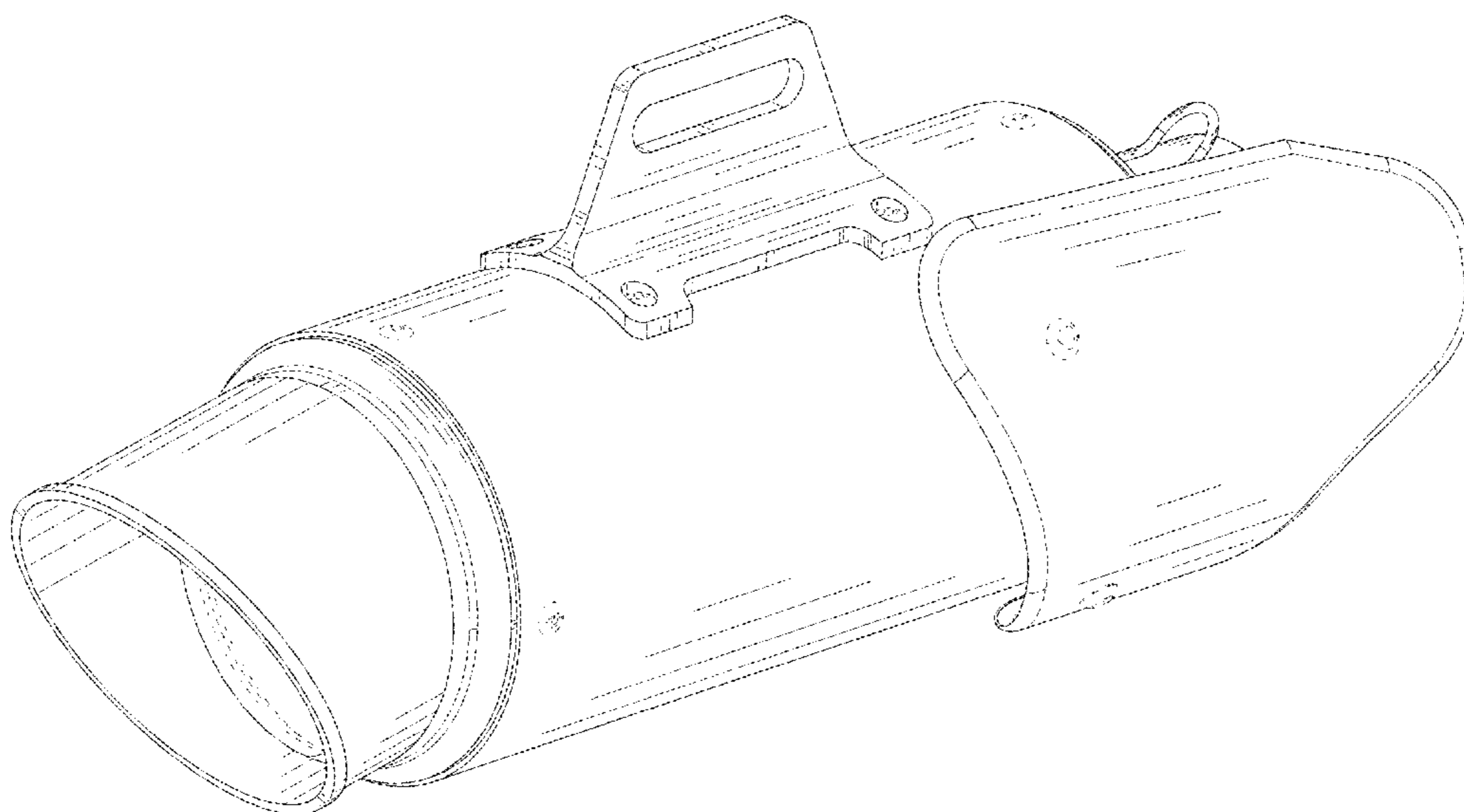
DESCRIPTION

FIG. 1 is a front elevational view of a muffler showing my new design;
FIG. 2 is a rear elevational view thereof; and
FIG. 3 is a left elevational view thereof;
FIG. 4 is a right side view thereof;
FIG. 5 is a top side view thereof;
FIG. 6 is a bottom plan view thereof;
FIG. 7 is a perspective view of a muffler showing my new design; and,
FIG. 8 is another perspective view thereof.
The broken lines in the figures are for the purposes of illustrating portions of the muffler, which form no part of the claimed design.

1 Claim, 8 Drawing Sheets

(56) **References Cited**
U.S. PATENT DOCUMENTS

D124,842 S *	1/1941	Price	D15/5
D288,311 S *	2/1987	Garcia	D12/194
D392,928 S *	3/1998	Erion	D15/5
D417,534 S *	12/1999	Holston	D32/31
6,082,103 A *	7/2000	Sugiura	F01N 13/08
				60/272
6,708,798 B2 *	3/2004	Chang	F01N 1/082
				254/240
D490,036 S *	5/2004	Cho	D12/194
D496,313 S *	9/2004	Suzuki	D12/194
D534,111 S	12/2006	Wannamaker		
D575,213 S *	8/2008	Kryssing, Sr.	D12/194
D578,050 S *	10/2008	Hsu	D12/194
D608,266 S *	1/2010	Price	D12/194
D654,839 S *	2/2012	Contreras	D12/194
D700,631 S *	3/2014	Novacek	D15/28
D709,013 S *	7/2014	Chou	D12/194



(56)

References Cited

U.S. PATENT DOCUMENTS

D810,644	S	*	2/2018	Welter	D12/194
D854,476	S		7/2019	Akrapovic		
D875,010	S		2/2020	Akrapovic		
D875,630	S		2/2020	Kana		
D875,631	S		2/2020	Kana		
D881,096	S	*	4/2020	Banks, III	D12/194
D910,521	S		2/2021	Akrapovic		
D911,235	S		2/2021	Akrapovic		
D913,886	S		3/2021	Dean		
D925,423	S	*	7/2021	Niakan	D12/194
D940,621	S	*	1/2022	Wu	D12/194
D942,343	S	*	2/2022	Wu	D12/194
2018/0119594	A1	*	5/2018	Koda	F01N 13/1872

OTHER PUBLICATIONS

Leo Vince, Silencer, Universal exhaust Leovince GP, (site visited Apr. 5, 2022), RRD Website, URL:<<https://www.rrd-preparation.com/en/exhaust-silencer-brushless-for-motor-bike-125cc-4-stroke/25342-silencer-universal-exhaust-cartridge-leovince-gp-corsa-matte-240mm-o54mm-motorcycle-scooter-quad-.html>> (Year: 2022).*

Dreparts Store, Universal Slip on Modified Exhaust Mufflers with Silencers, (first available Nov. 14, 2021), Amazon.com, URL:<<https://www.amazon.com/DREAPATS-Universal-Compatible-Motorcycle-Electroplated/dp/B09LT1439Y>> (Year: 2021).*

* cited by examiner

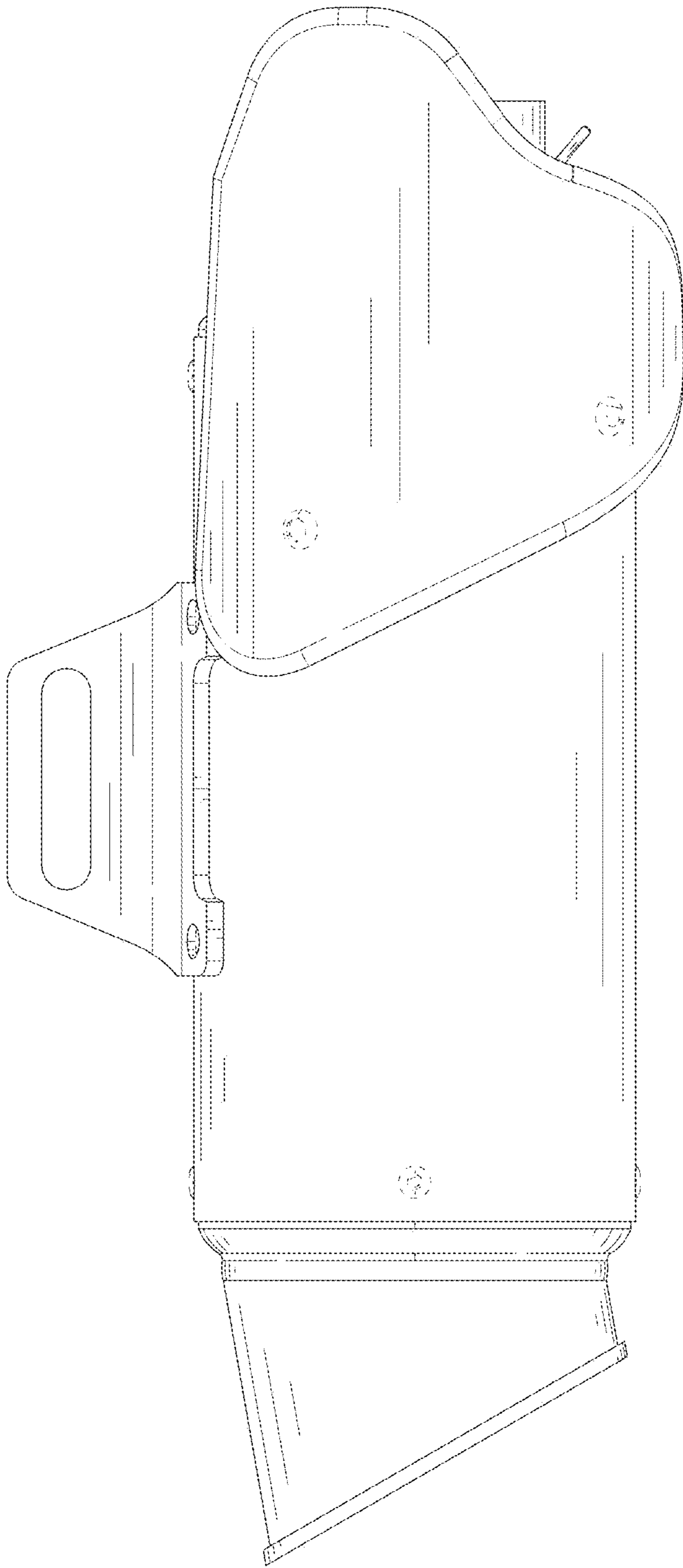


FIG. 1

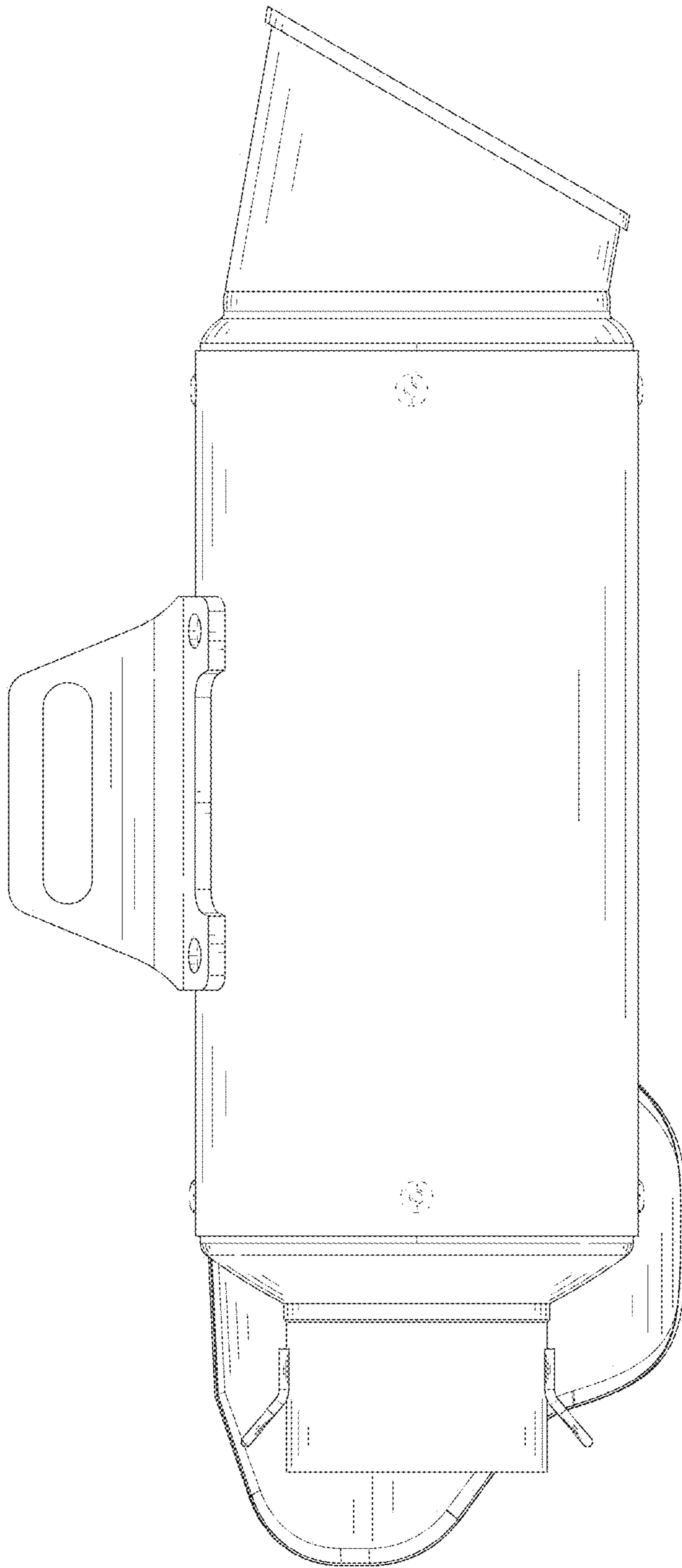


FIG. 2

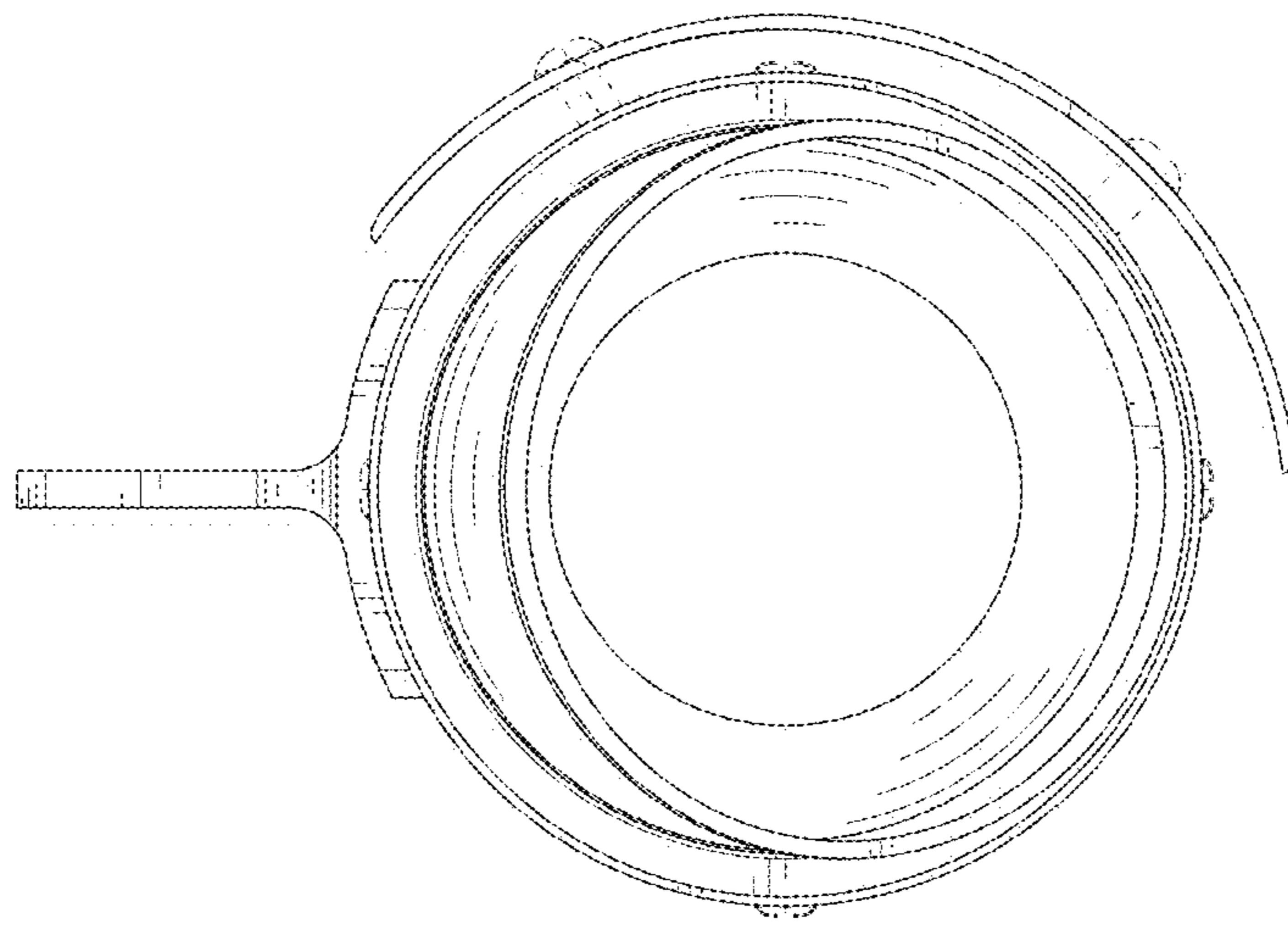


FIG. 3

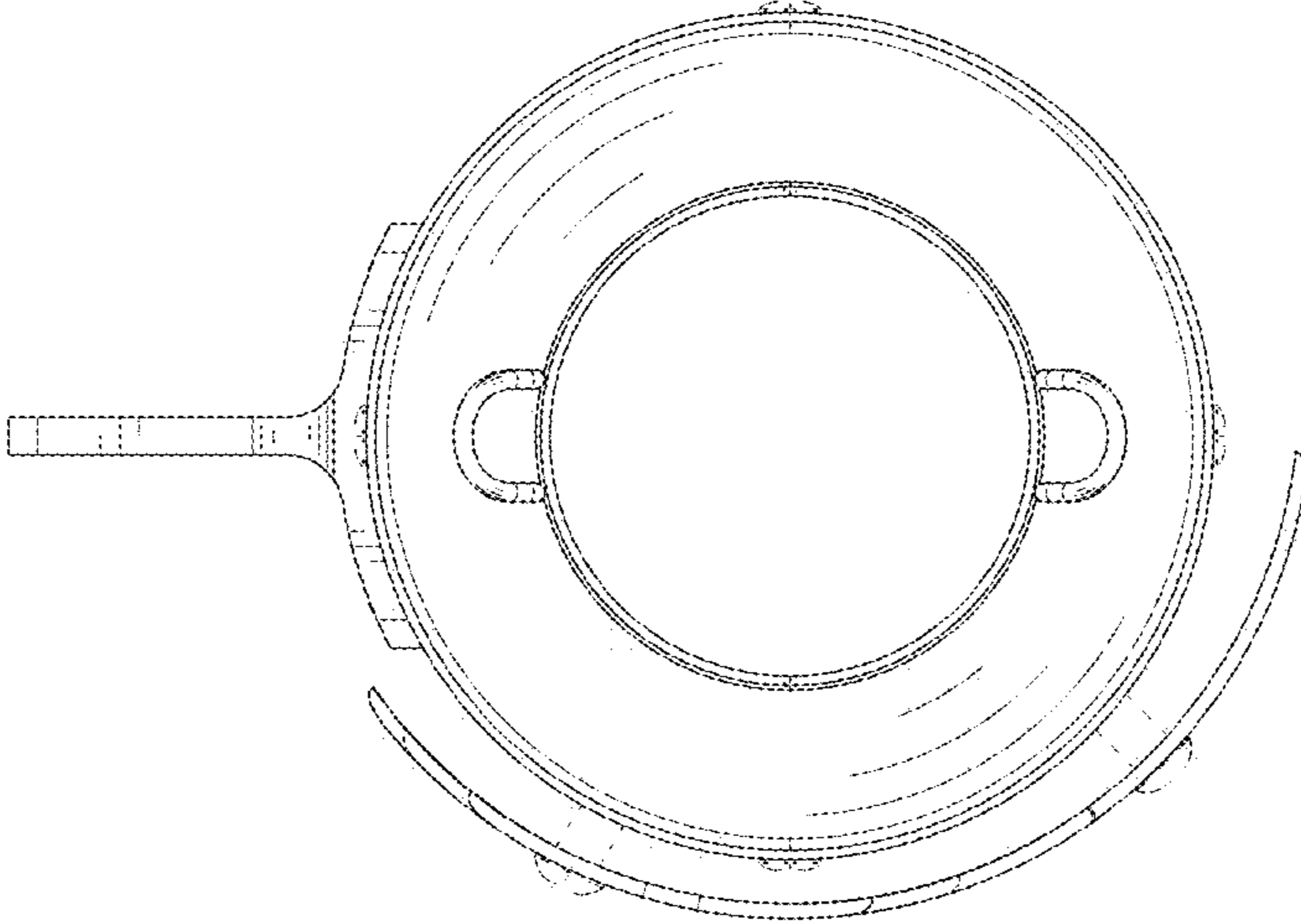


FIG. 4

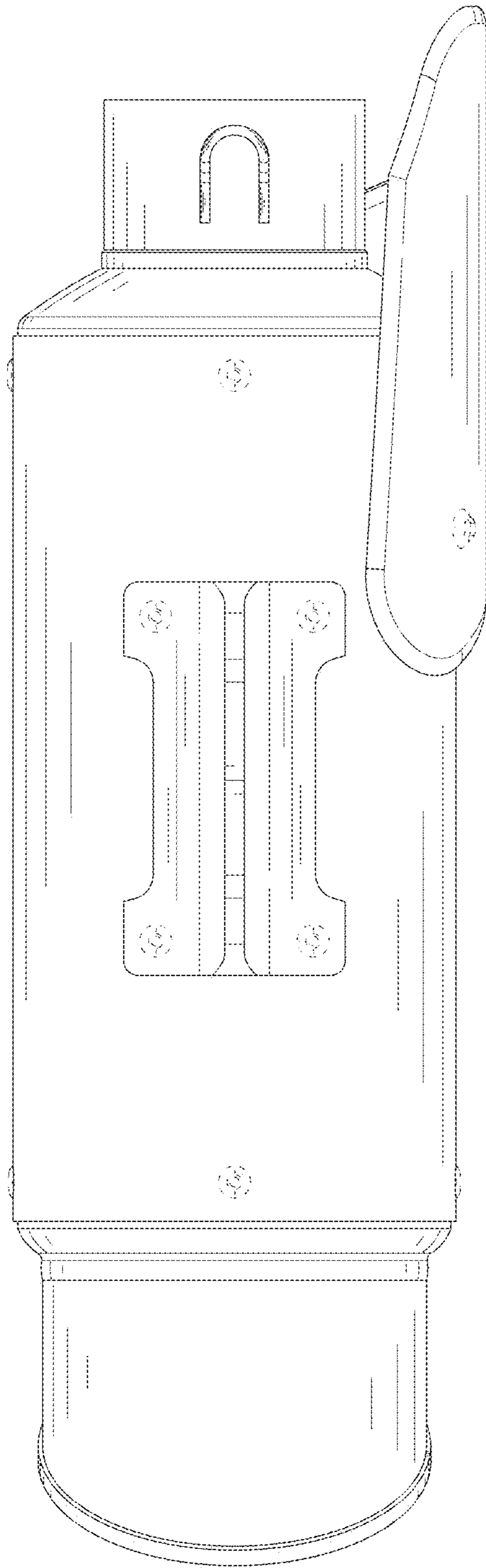


FIG. 5

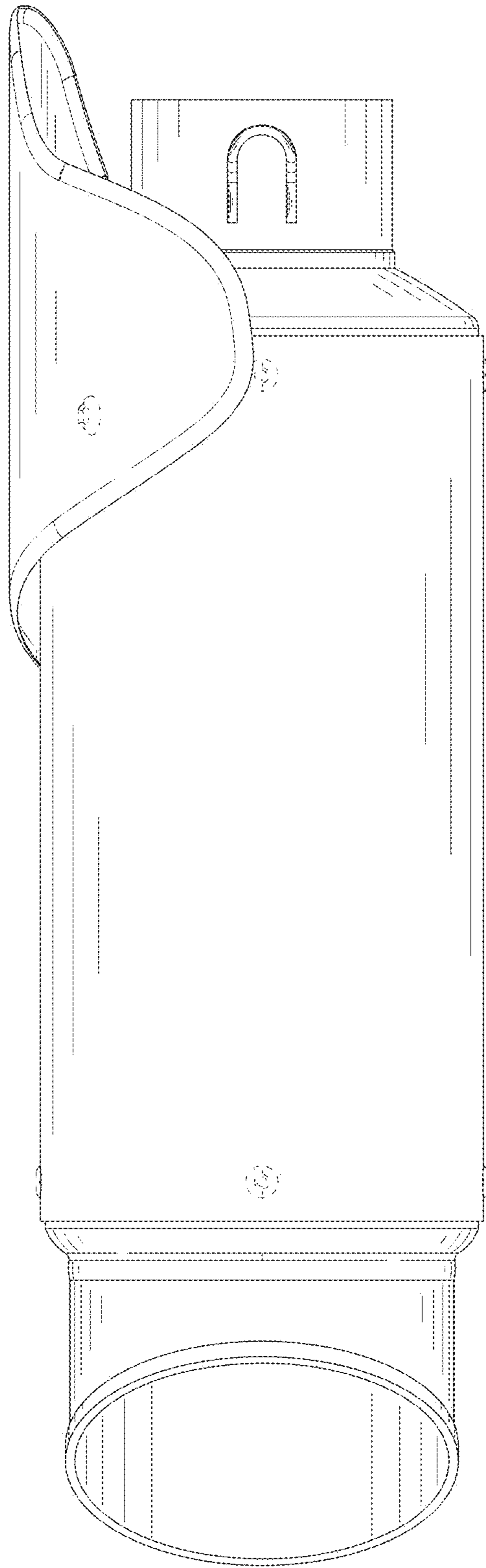


FIG. 6

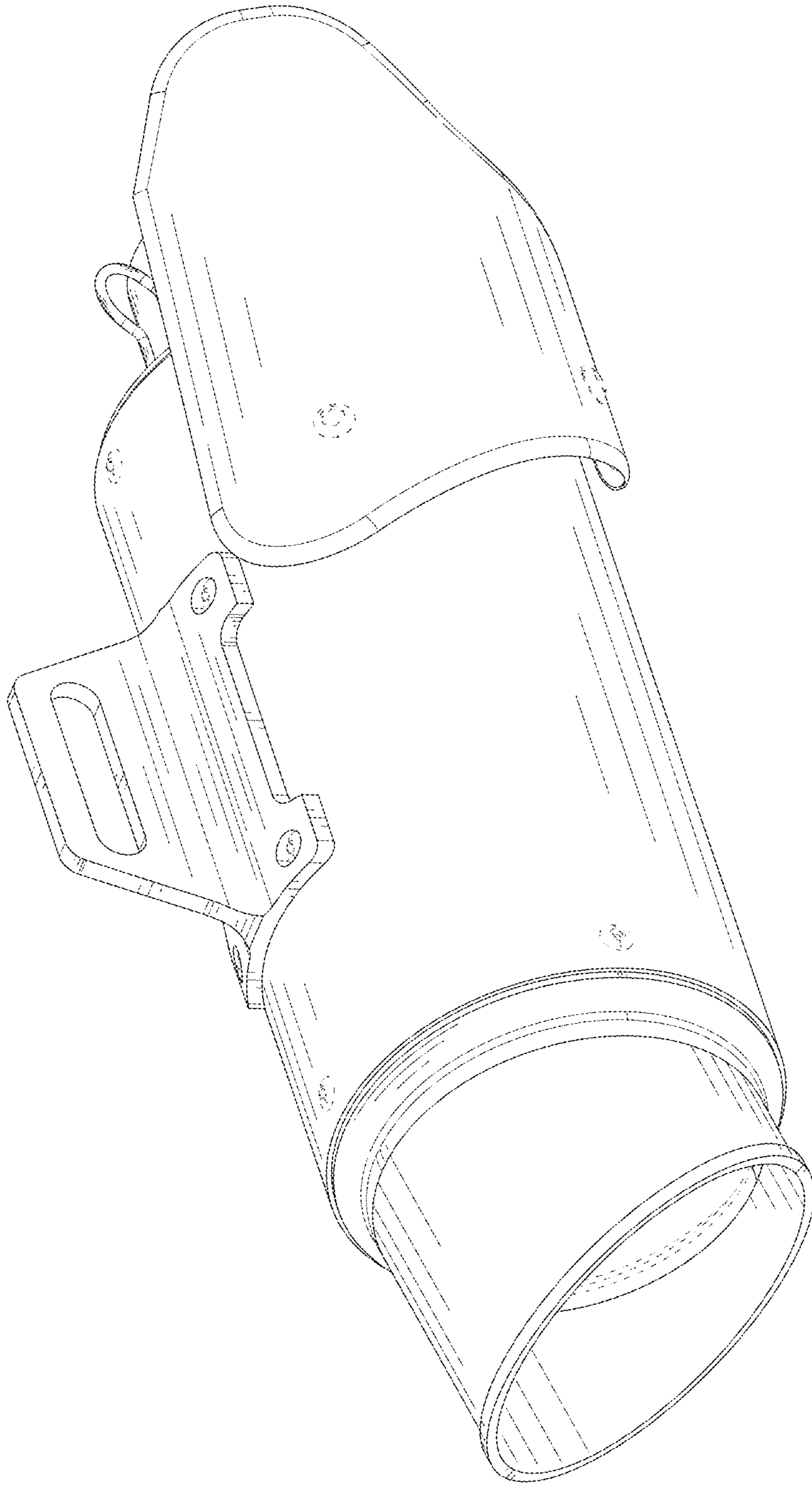


FIG. 7

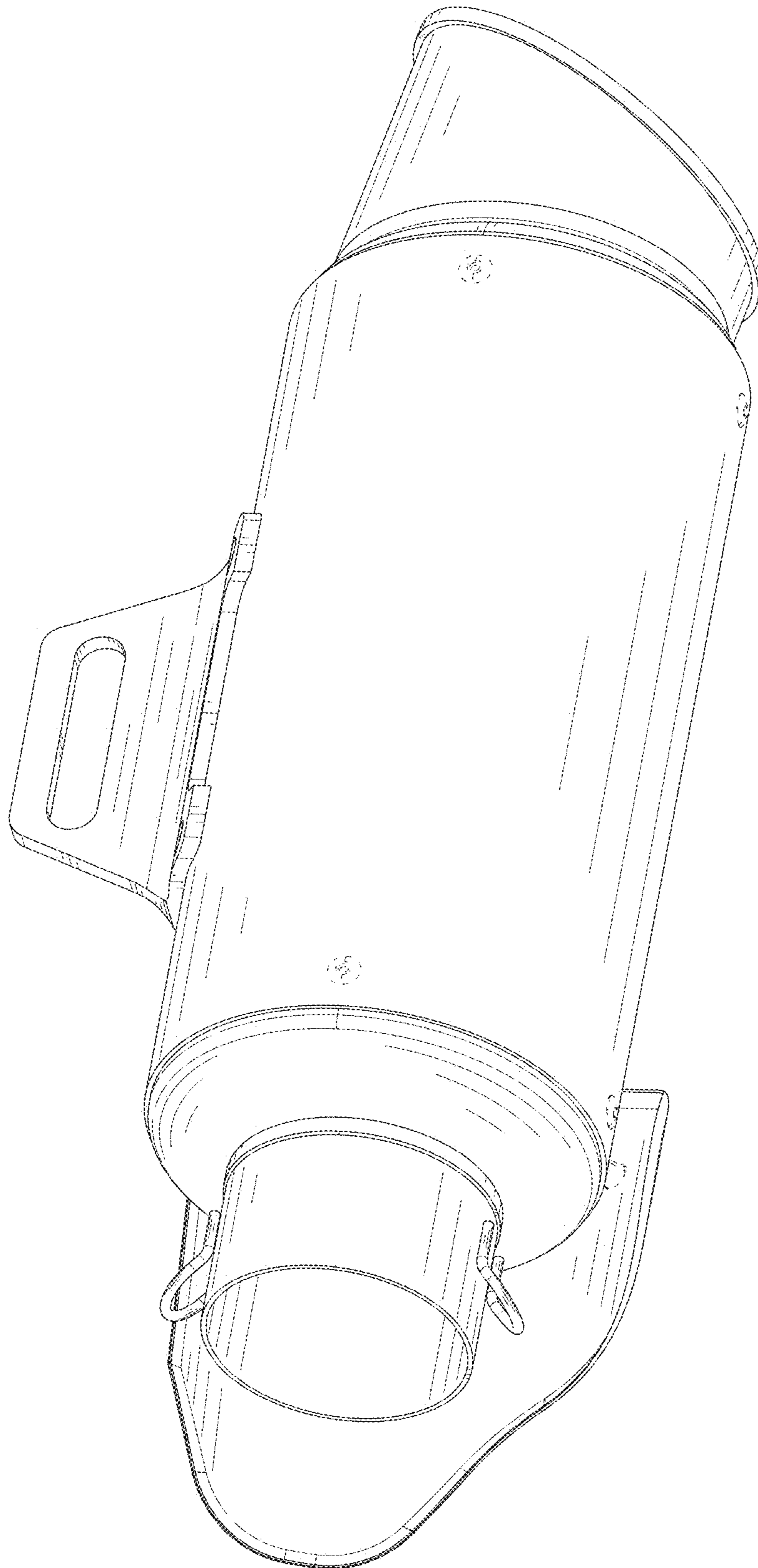


FIG. 8