



US00D961473S

(12) **United States Design Patent** (10) **Patent No.:** **US D961,473 S**
Wu (45) **Date of Patent:** **** Aug. 23, 2022**

(54) **MOTORCYCLE MUFFLER**
(71) Applicant: **Xiaodian Wu**, Guangzhou (CN)
(72) Inventor: **Xiaodian Wu**, Guangzhou (CN)
(**) Term: **15 Years**
(21) Appl. No.: **29/795,961**

D836,514 S * 12/2018 Akrapovic D12/194
D837,119 S * 1/2019 Akrapovic D12/194
D840,887 S * 2/2019 Akrapovic D12/194
(Continued)

(22) Filed: **Jun. 22, 2021**
(51) **LOC (13) Cl.** **12-16**
(52) **U.S. Cl.**
USPC **D12/194**
(58) **Field of Classification Search**
USPC D15/1-6, 14, 17; D12/194; D13/147;
D23/233, 386, 387, 393
CPC F02M 35/048; F02M 35/10137; F02M
35/1255; F02M 35/161; F01N 13/00;
F01N 13/08; F01N 13/087; F01N 13/20;
F01N 3/0335; F01N 1/003; F01N 1/10;
F01N 2590/04; F01N 2470/20
See application file for complete search history.

FOREIGN PATENT DOCUMENTS

GB 6137229 * 5/2021
KR 300936610.0000 * 12/2017

OTHER PUBLICATIONS

Yoshimura, R77 3/4 4 System—Carbon Silencer / Carbon End Cap, (site visited Apr. 5, 2022), Demon Tweaks website, URL:<https://www.demon-tweaks.com/us/yoshimura-r77-3-4-system-carbon-silencer-carbon-coned-end-cap-requires-power-commander-o2-eliminator-yos1418040220/> (Year: 2022).*
(Continued)

Primary Examiner — Calvin E Vansant
Assistant Examiner — Mark T. Philipps
(74) *Attorney, Agent, or Firm* — Rumit Ranjit Kanakia

(57) **CLAIM**

The ornamental design for a motorcycle muffler, as shown and described.

DESCRIPTION

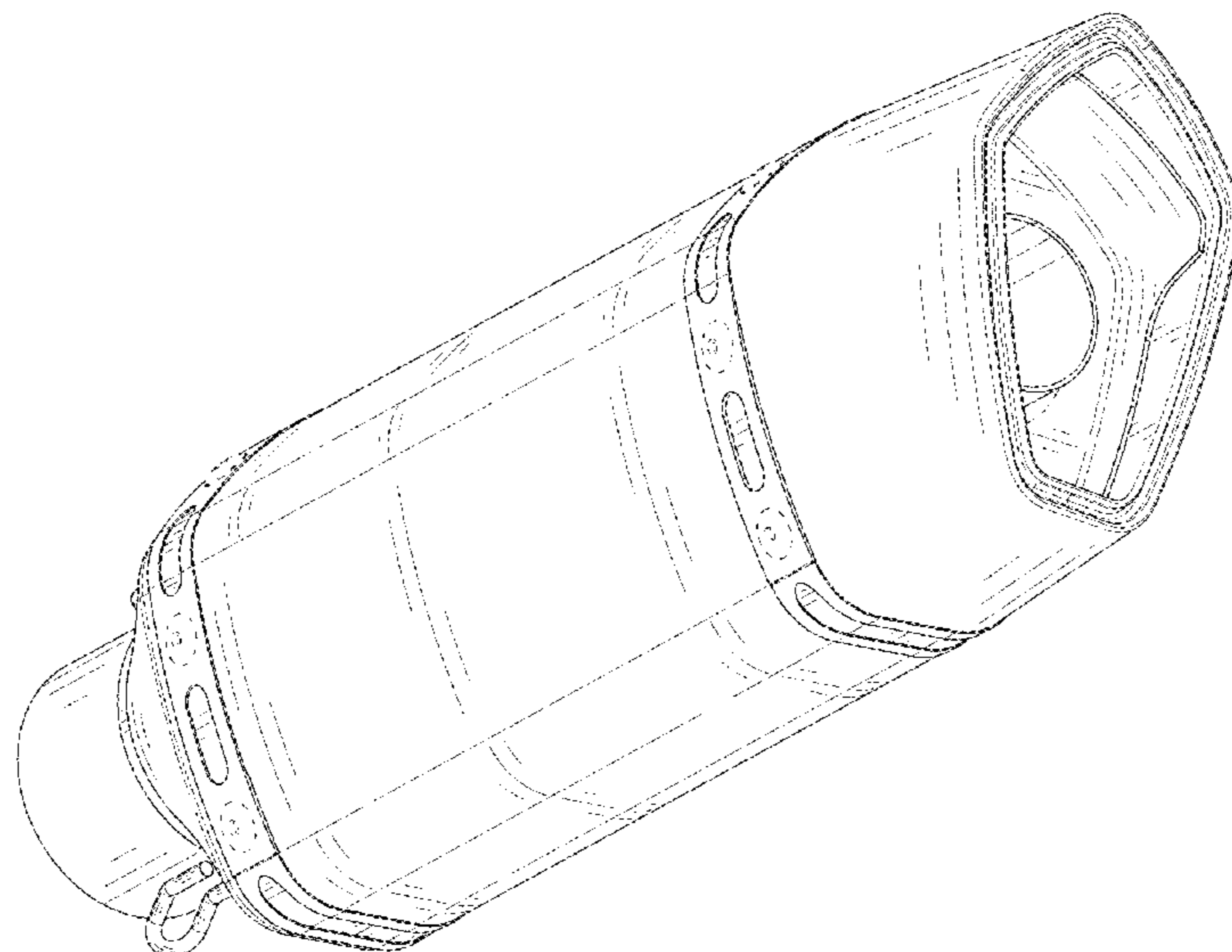
FIG. 1 is a front elevational view of a motorcycle muffler showing my new design;
FIG. 2 is a rear elevational view thereof; and
FIG. 3 is a left side view thereof;
FIG. 4 is a right side view thereof;
FIG. 5 is a top plan view thereof;
FIG. 6 is a bottom plan view thereof;
FIG. 7 is a perspective view of a motorcycle muffler showing my new design;
FIG. 8 is the second perspective view thereof; and,
FIG. 9 is the third perspective view thereof.
The broken lines in the figures are for the purposes of illustrating portions of the motorcycle muffler, which form no part of the claimed design.

(56) **References Cited**

U.S. PATENT DOCUMENTS

D420,316 S * 2/2000 Hanlon D12/194
D460,726 S 7/2002 Campbell
D467,846 S * 12/2002 McGee D12/194
D495,640 S 9/2004 James
D495,642 S 9/2004 Luttig
D573,520 S * 7/2008 Kouchi D12/194
D598,354 S 8/2009 Nakazawa
D624,473 S 9/2010 Nishihara
D762,540 S * 8/2016 Yasuhara D12/194
D767,456 S 9/2016 Finnie
D802,507 S 11/2017 Ochoa
D804,381 S * 12/2017 Akrapovic D12/194
D804,382 S * 12/2017 Akrapovic D12/194
D804,383 S * 12/2017 Akrapovic D12/194
D816,570 S * 5/2018 Akrapovic D12/194
D833,936 S * 11/2018 Akrapovic D12/194

1 Claim, 9 Drawing Sheets



(56)

References Cited

U.S. PATENT DOCUMENTS

D854,476 S * 7/2019 Akrapovic D12/194
D864,818 S * 10/2019 Akrapovic D12/194
D875,009 S * 2/2020 Akrapovic D12/194
D875,010 S * 2/2020 Akrapovic D12/194
D906,917 S * 1/2021 Akrapovic F01N 13/20
D12/194
D910,521 S * 2/2021 Akrapovic F01N 13/20
D12/194
D913,886 S 3/2021 Dean
D928,052 S * 8/2021 Akrapovic F01N 1/003
D12/194
D937,723 S * 12/2021 Akrapovic D12/194
D937,724 S * 12/2021 Akrapovic D12/194

OTHER PUBLICATIONS

DOS ON Store, Slip On Exhaust Motorcycle Muffler Universal
1.5-2" Inlet Muffler, (first available Jul. 31, 2020), Amazon.com,
URL:<[https://www.amazon.com/Exhaust-Motorcycle-Muffler-
Universal-Removable/dp/B08BFRFY21](https://www.amazon.com/Exhaust-Motorcycle-Muffler-Universal-Removable/dp/B08BFRFY21)> (Year: 2020).*

* cited by examiner

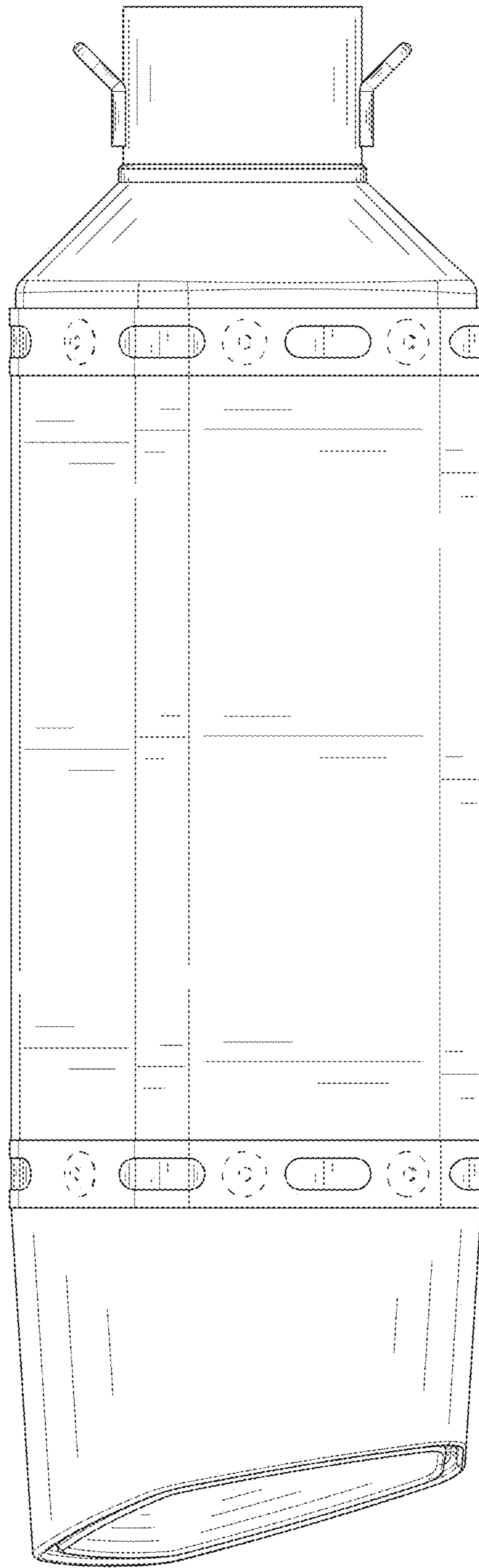


FIG. 1

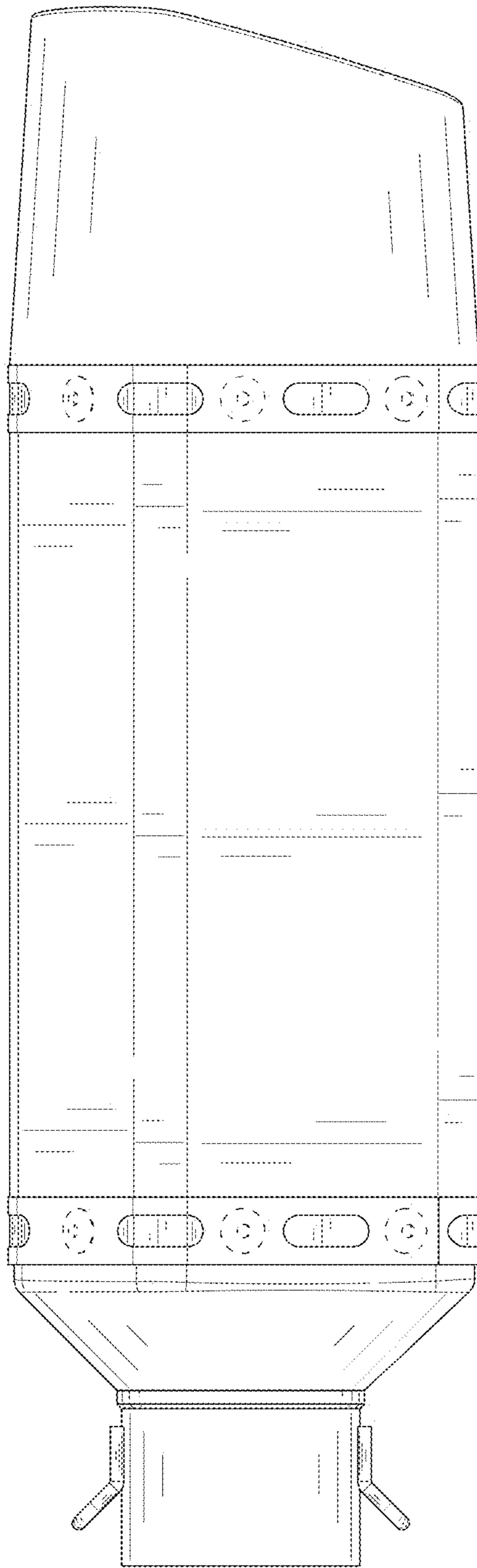


FIG. 2

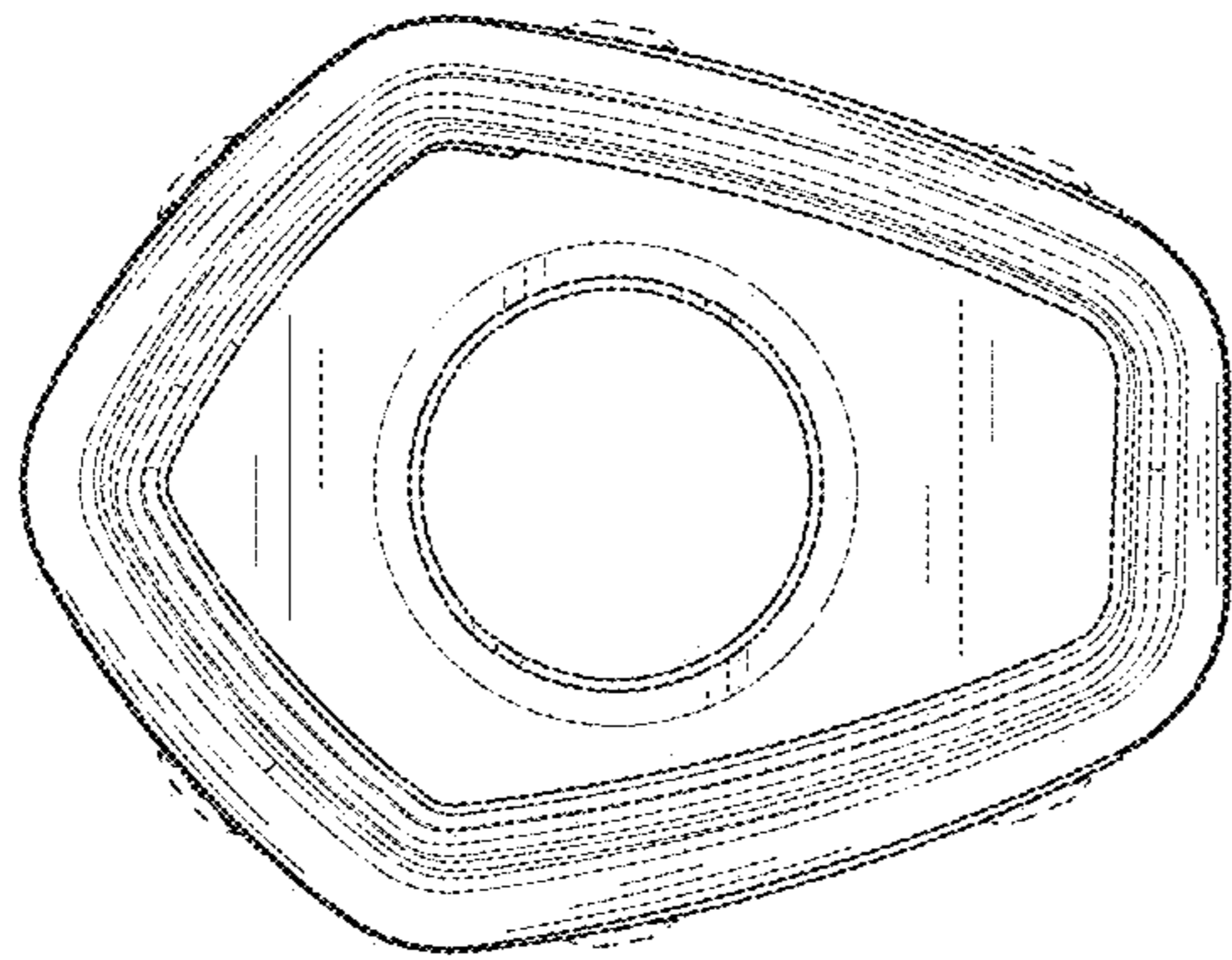


FIG. 3

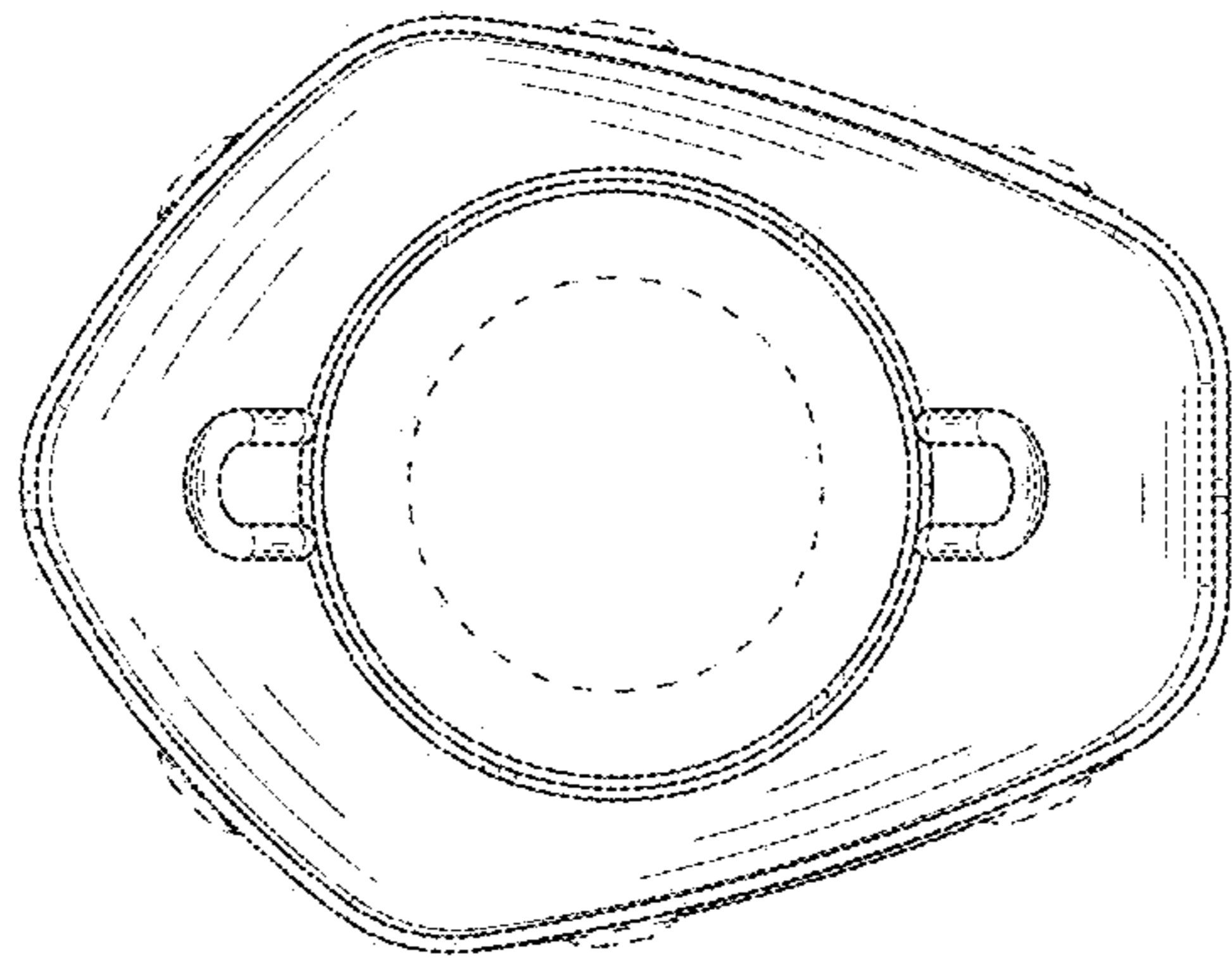


FIG. 4

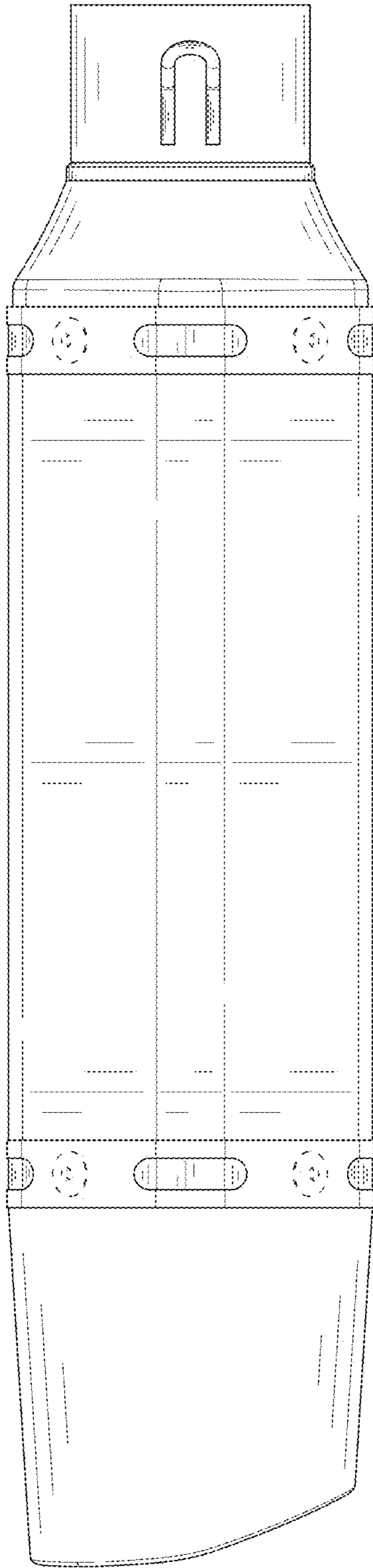


FIG. 5

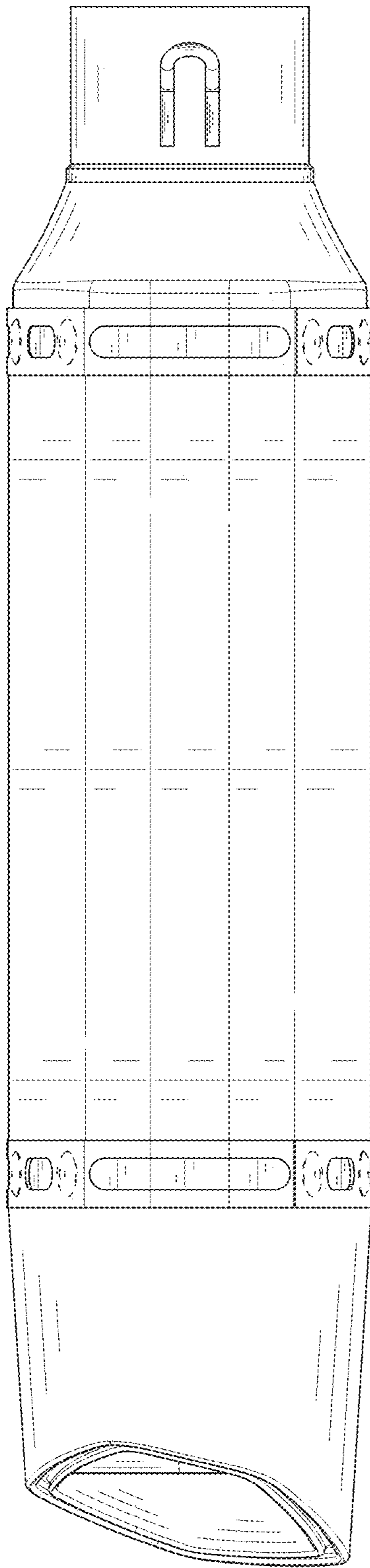


FIG. 6

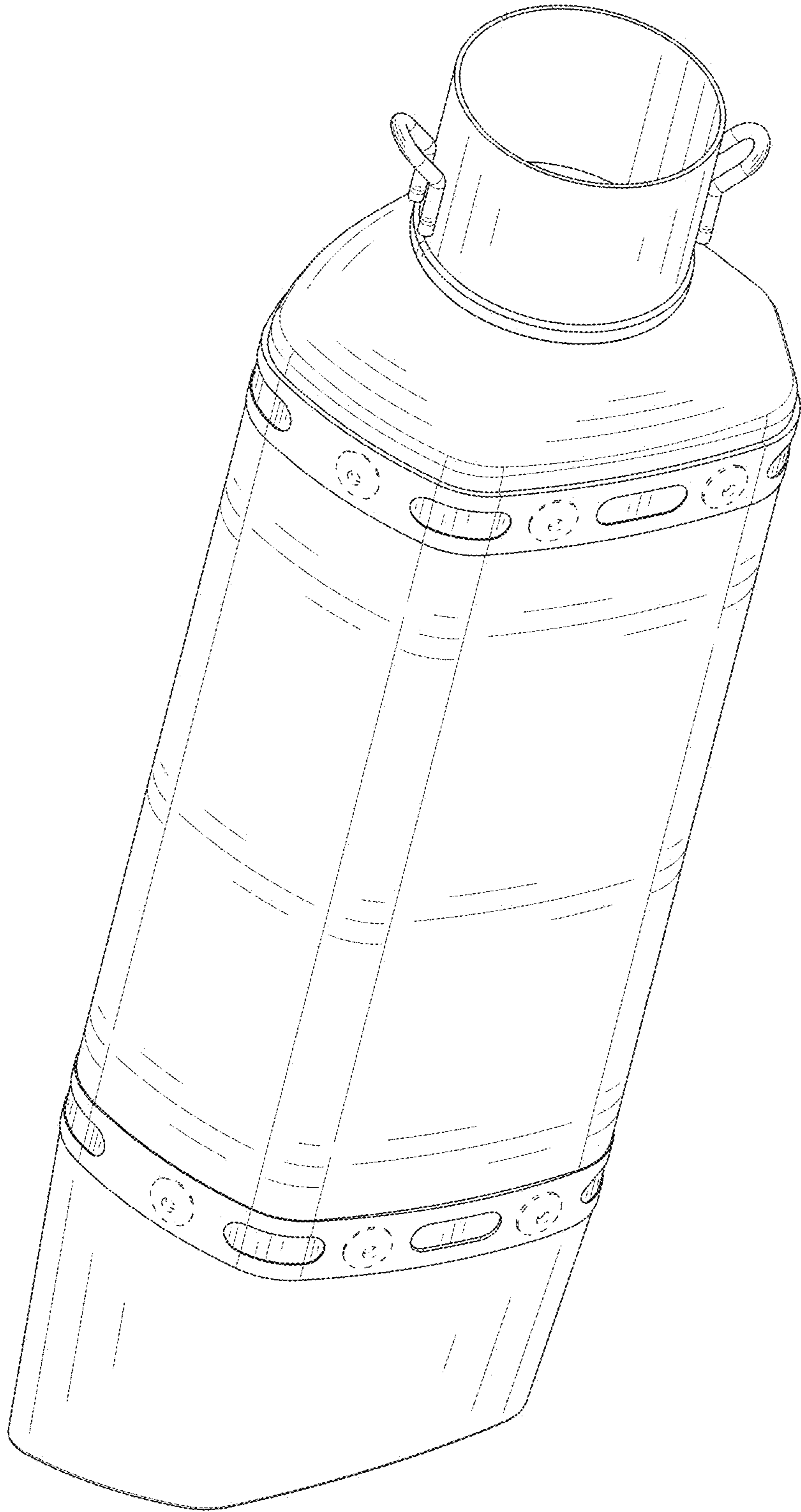


FIG. 7

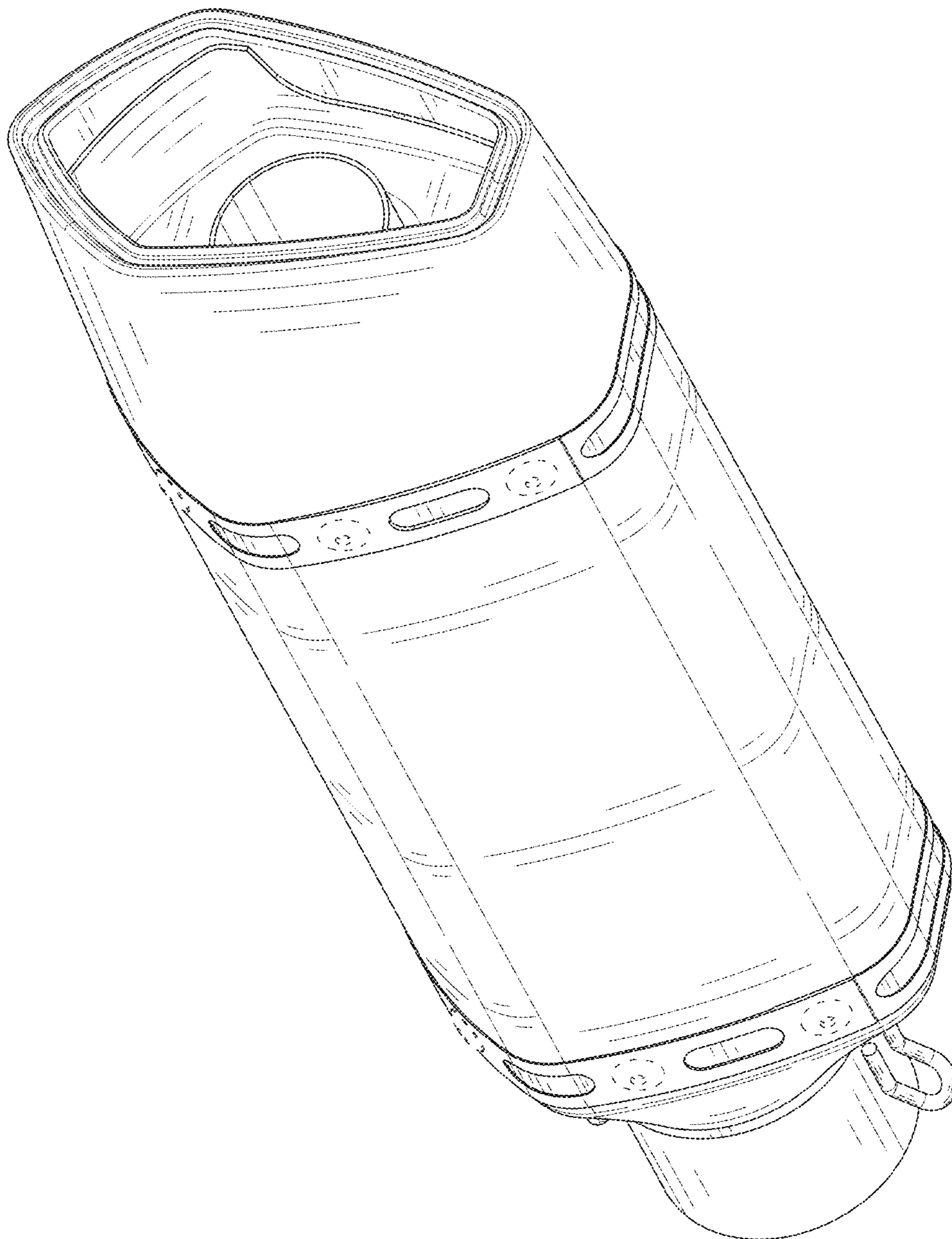


FIG. 8

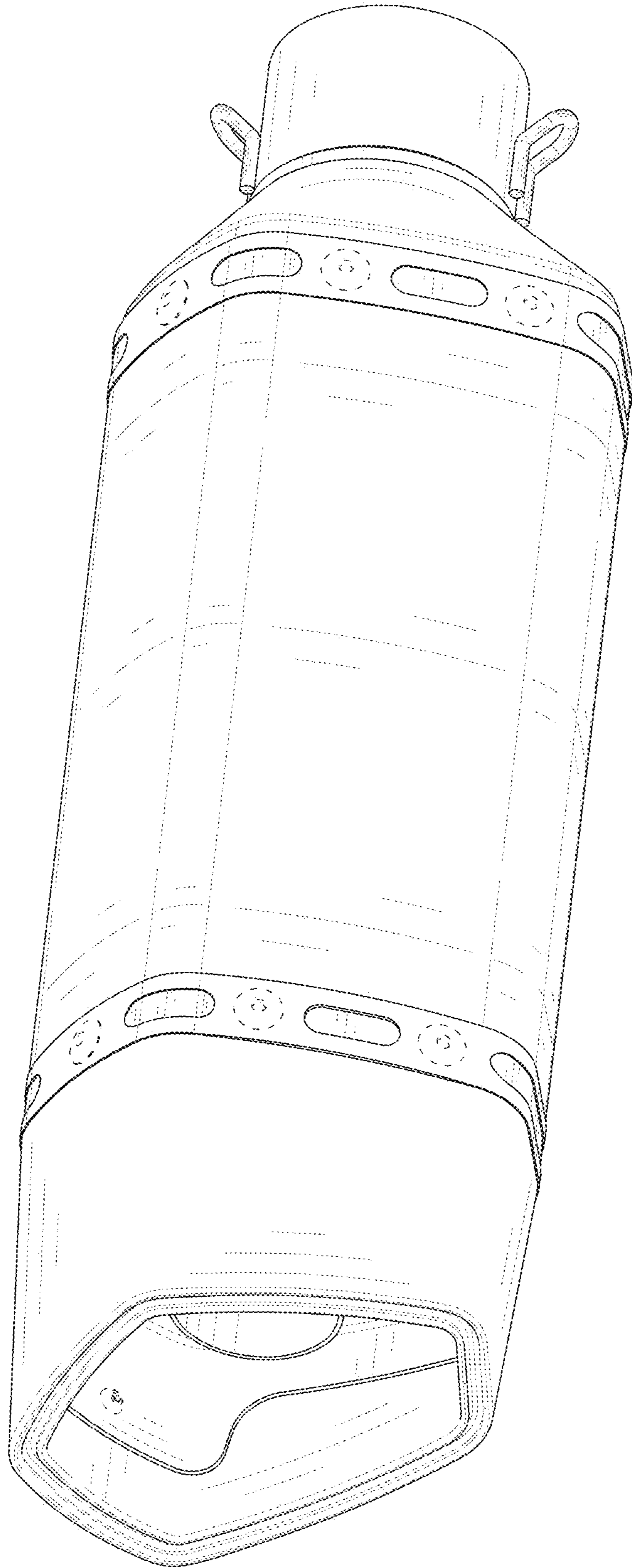


FIG. 9