



US00D961471S

(12) **United States Design Patent** (10) **Patent No.:** **US D961,471 S**
He (45) **Date of Patent:** **** Aug. 23, 2022**

(54) **SHELL FOR VEHICLE REARVIEW MIRROR**

(71) Applicant: **Ningbo Haichen Auto Parts CO., LTD**, Ningbo (CN)

(72) Inventor: **Qiyu He**, Ningbo (CN)

(**) Term: **15 Years**

(21) Appl. No.: **29/683,058**

(22) Filed: **Mar. 11, 2019**

(30) **Foreign Application Priority Data**

Oct. 31, 2018 (CN) 201830612472.1

(51) **LOC (13) Cl.** **12-16**

(52) **U.S. Cl.**
USPC **D12/187**

(58) **Field of Classification Search**
USPC D12/187, 400, 188, 189; D6/300, 309
CPC G02B 7/182; G02B 5/08; G02B 7/18
See application file for complete search history.

(56) **References Cited**

U.S. PATENT DOCUMENTS

- D575,710 S * 8/2008 Zimmer D12/187
- D696,170 S * 12/2013 Ito B60R 1/076
D12/187
- D702,609 S * 4/2014 Hovind D12/187
- D791,658 S * 7/2017 Ito D12/187
- D798,209 S * 9/2017 Tseng D12/187
- D798,782 S * 10/2017 Tseng D12/187

- D815,577 S * 4/2018 Chiang D12/187
- D889,339 S * 7/2020 Chen D12/187
- D909,939 S * 2/2021 Von Holzhausen D12/187
- D914,563 S * 3/2021 Triebold D12/189
- D930,534 S * 9/2021 He D12/187
- D930,535 S * 9/2021 He B60R 1/0605
D12/187
- D932,403 S * 10/2021 Jenkins D12/187

* cited by examiner

Primary Examiner — Katrina A Betton

(57) **CLAIM**

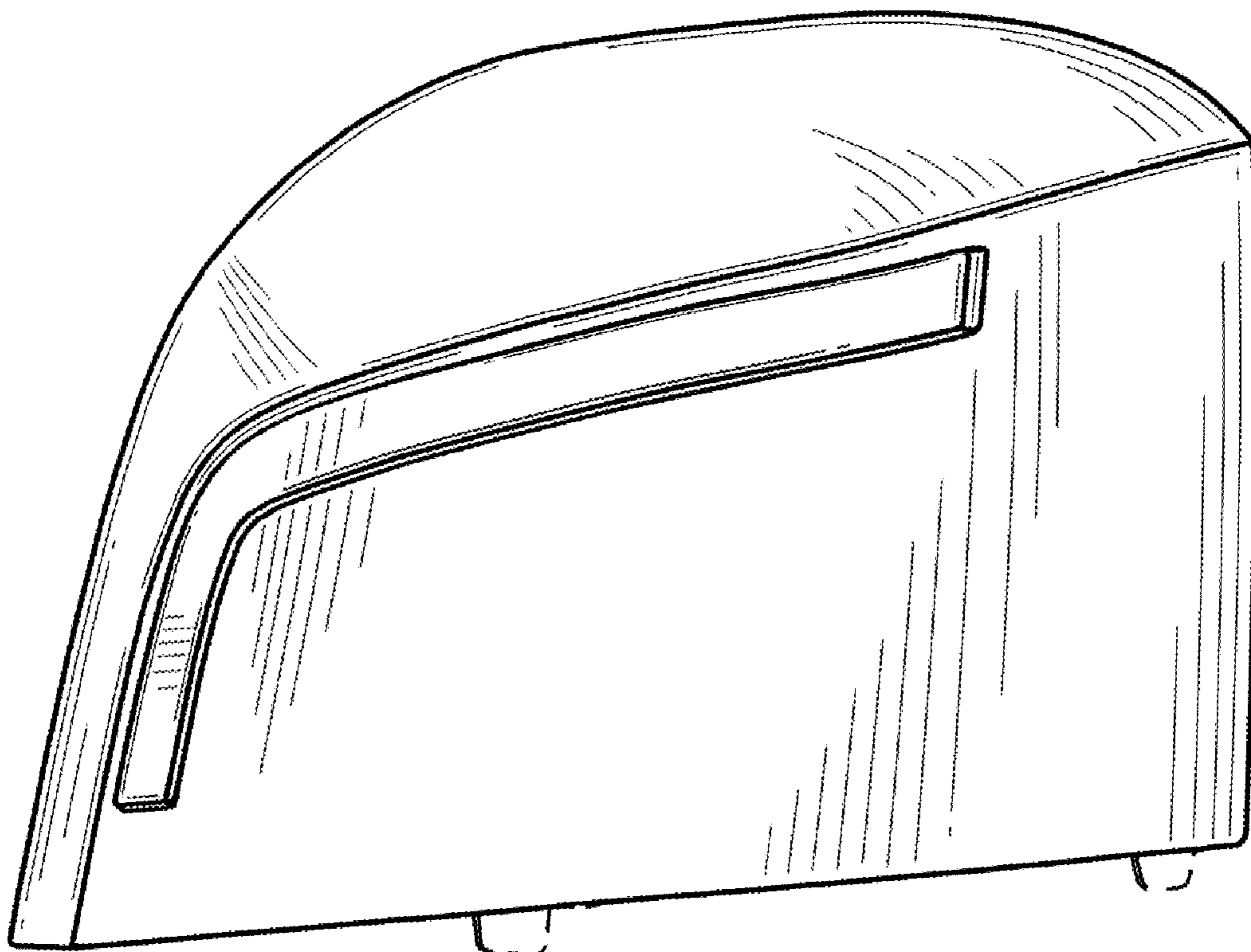
The ornamental design for a shell for vehicle rearview mirror, as shown and described.

DESCRIPTION

FIG. 1 is a perspective view of a shell for vehicle rearview mirror.
FIG. 2 is a front elevational view thereof;
FIG. 3 is a rear elevational view thereof;
FIG. 4 is a left elevational view thereof;
FIG. 5 is a right elevational view thereof;
FIG. 6 is a top plan view thereof;
FIG. 7 is a bottom plan view thereof; and,
FIG. 8 shows a shell for vehicle rearview mirror in a position of use.

The even-broken line in the figure drawing views represents unclaimed environment structure of the shell for vehicle rearview mirror only and forms no part of the claimed design

1 Claim, 8 Drawing Sheets



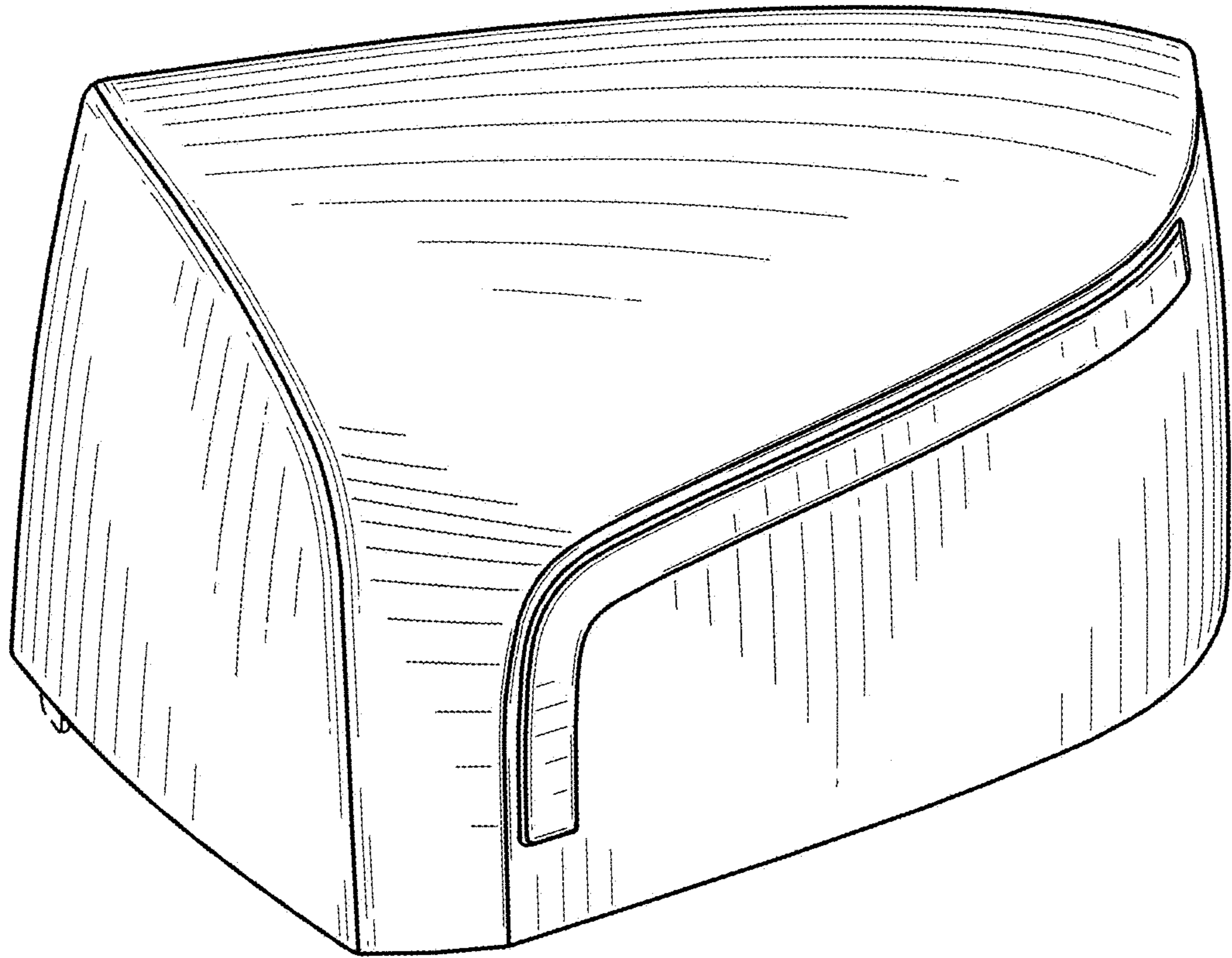


FIG. 1

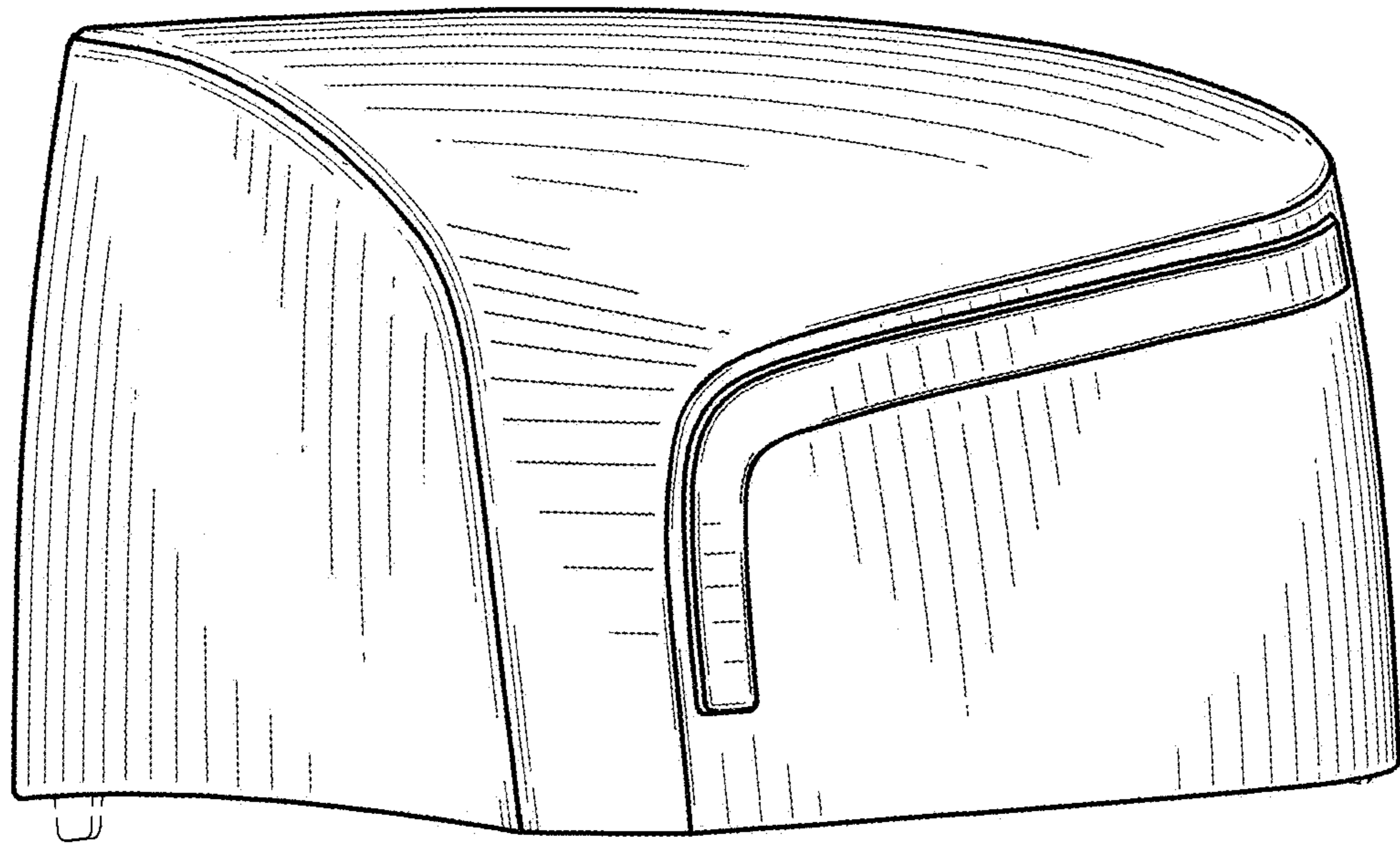


FIG. 2

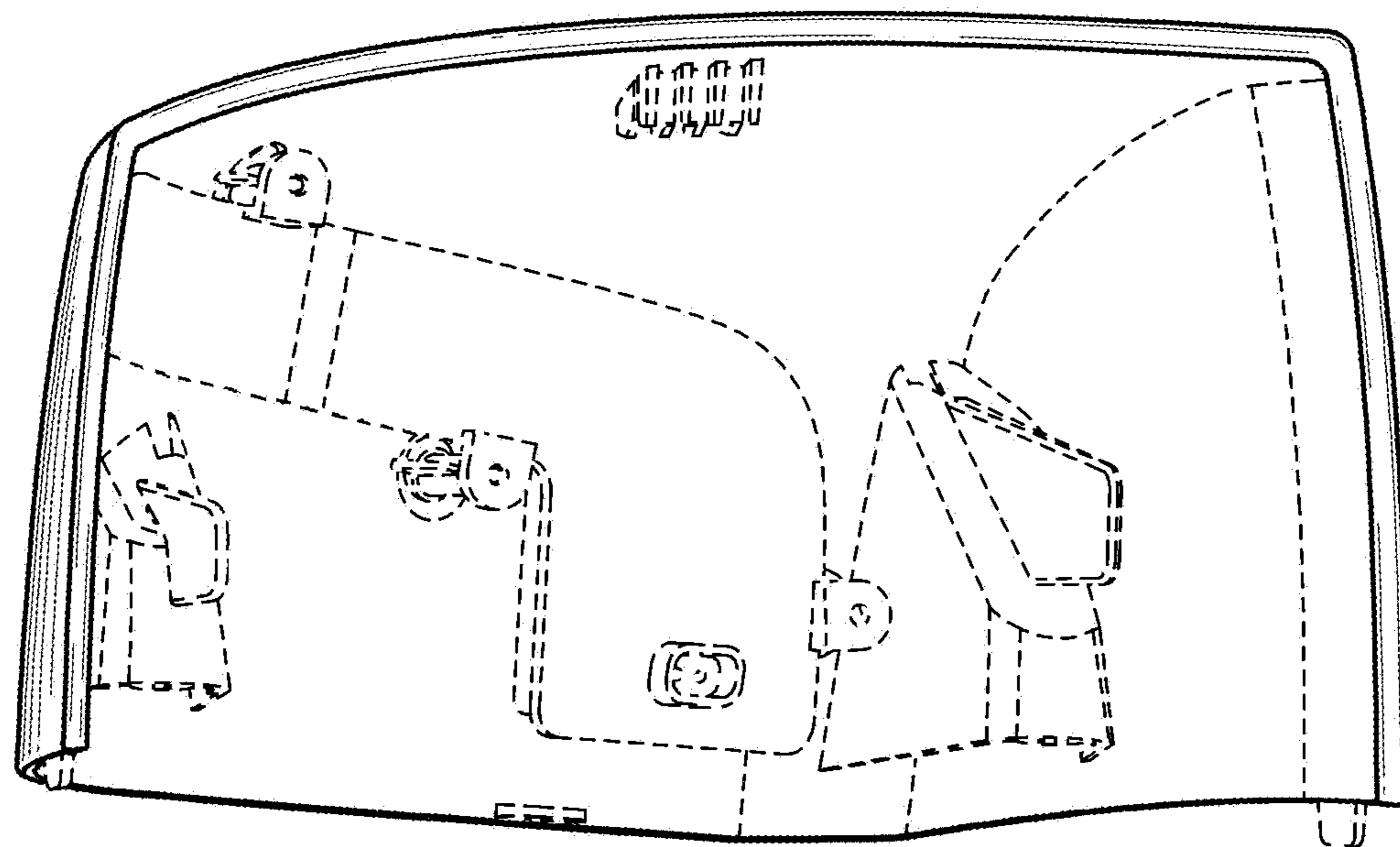


FIG. 3

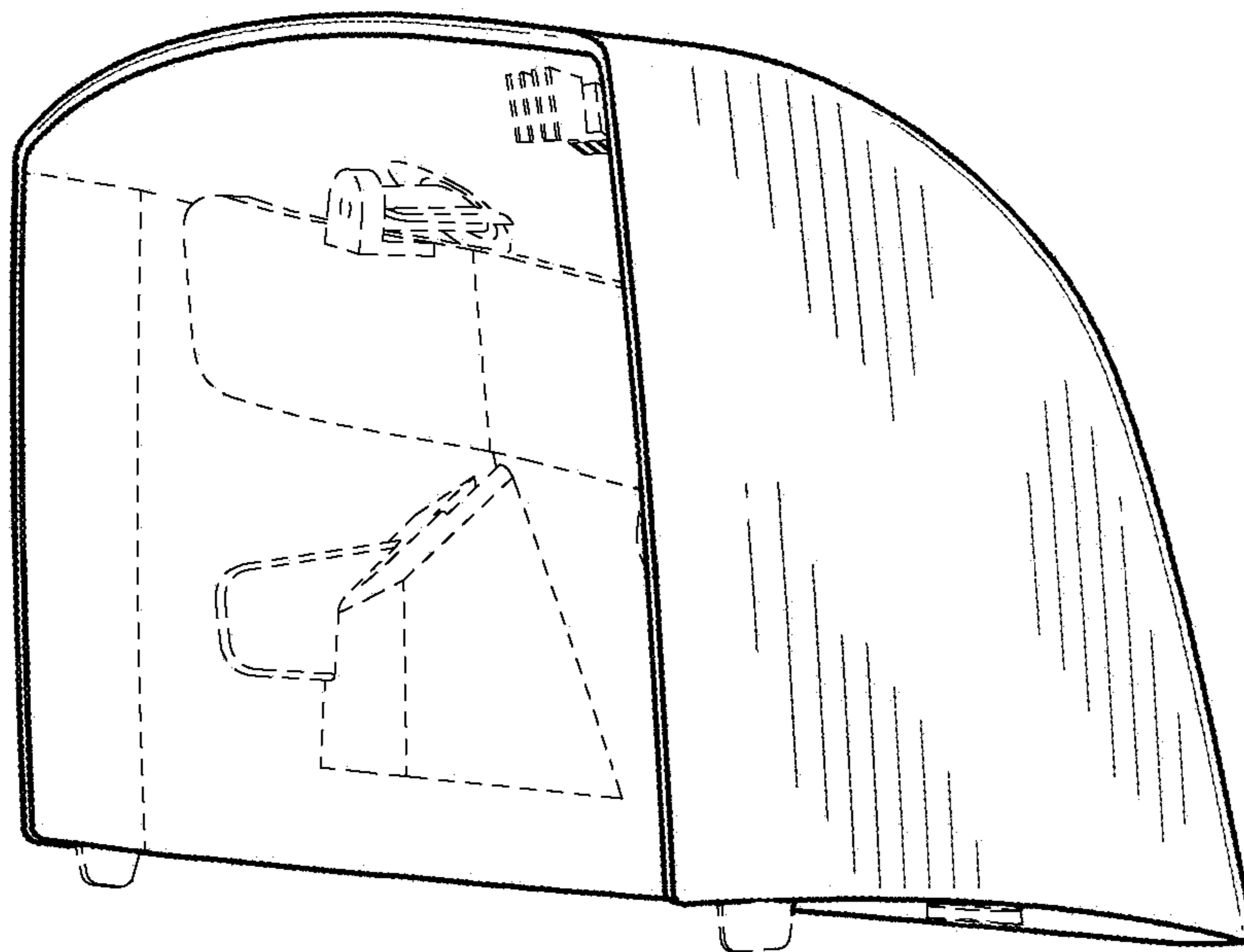


FIG. 4

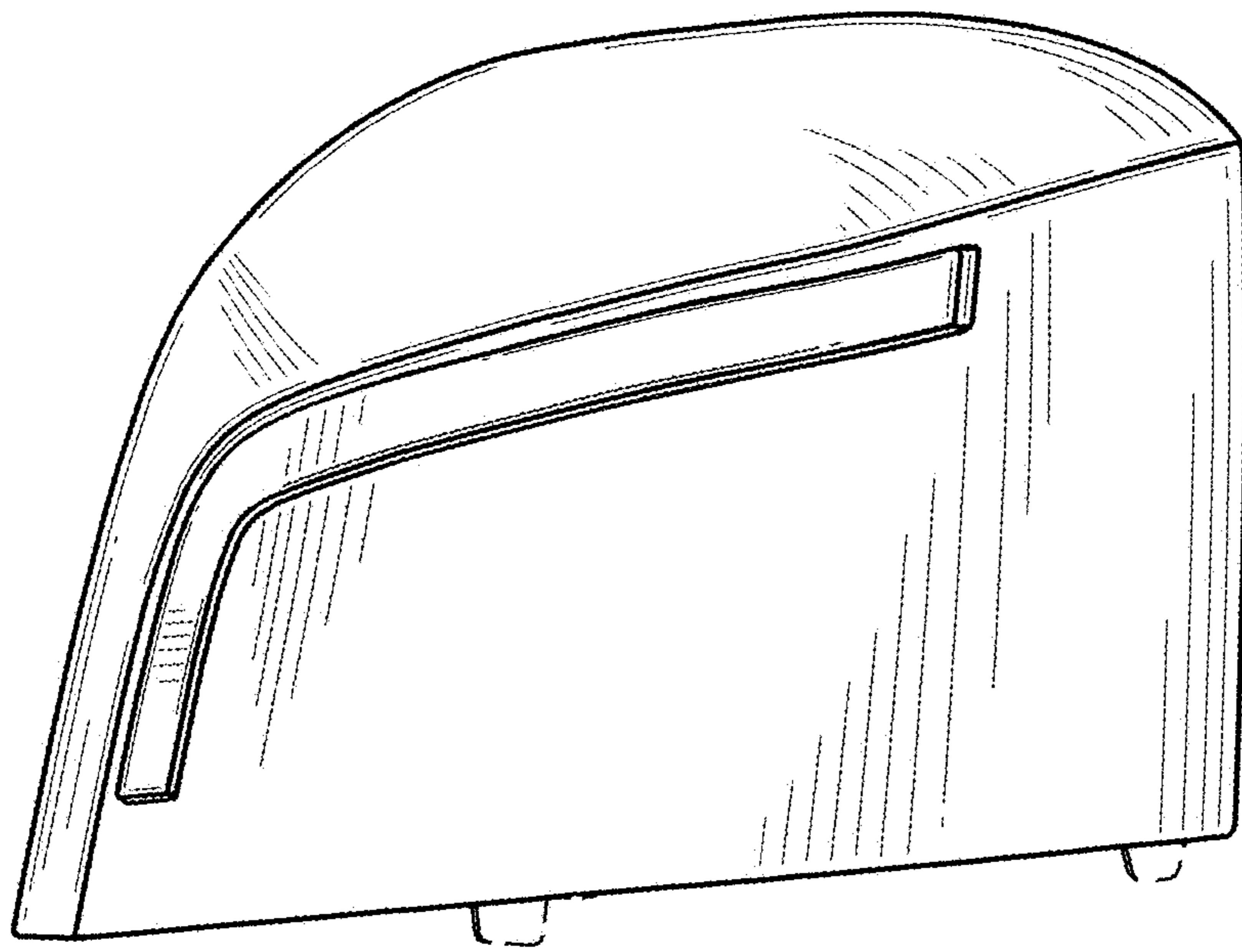


FIG. 5

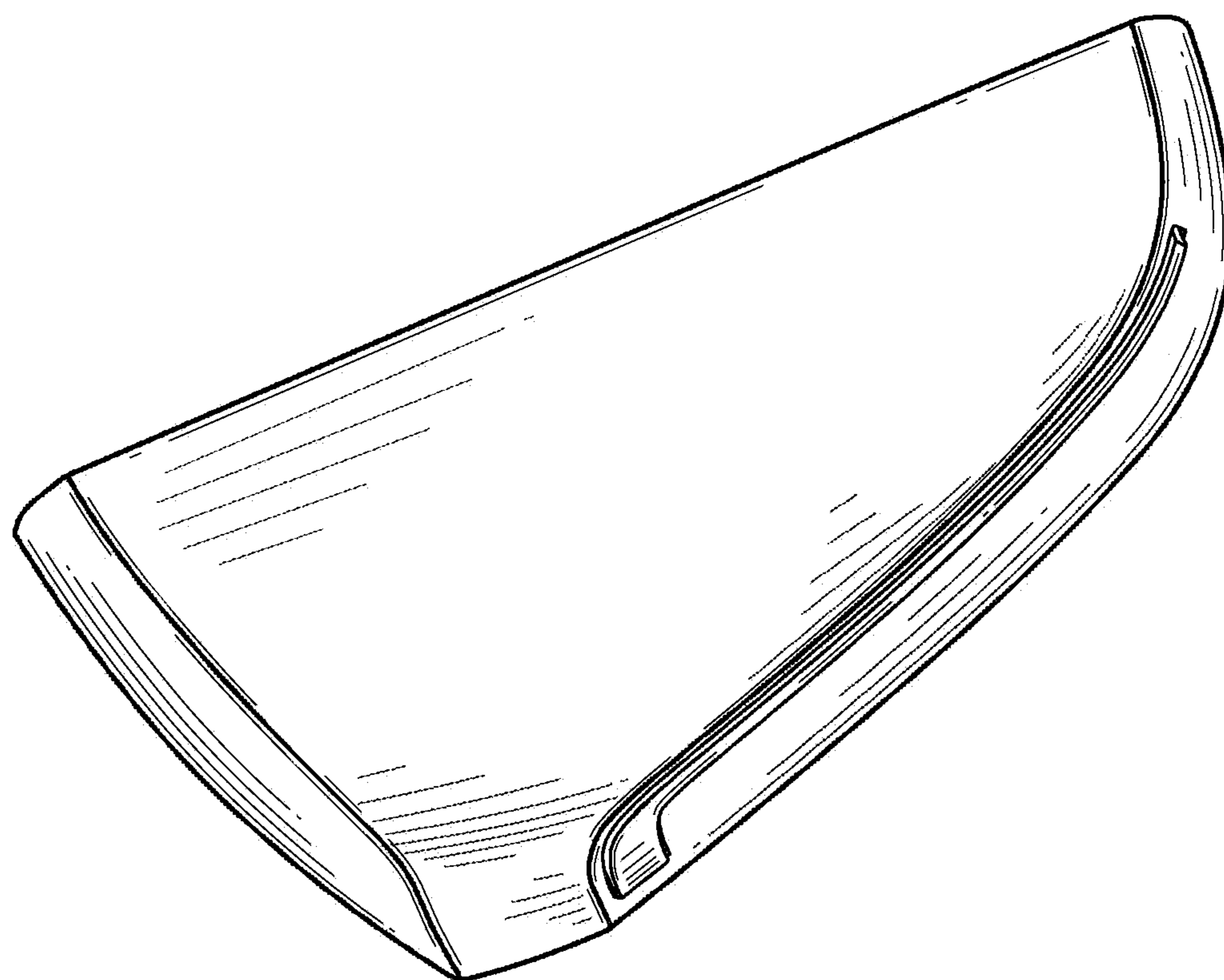


FIG. 6

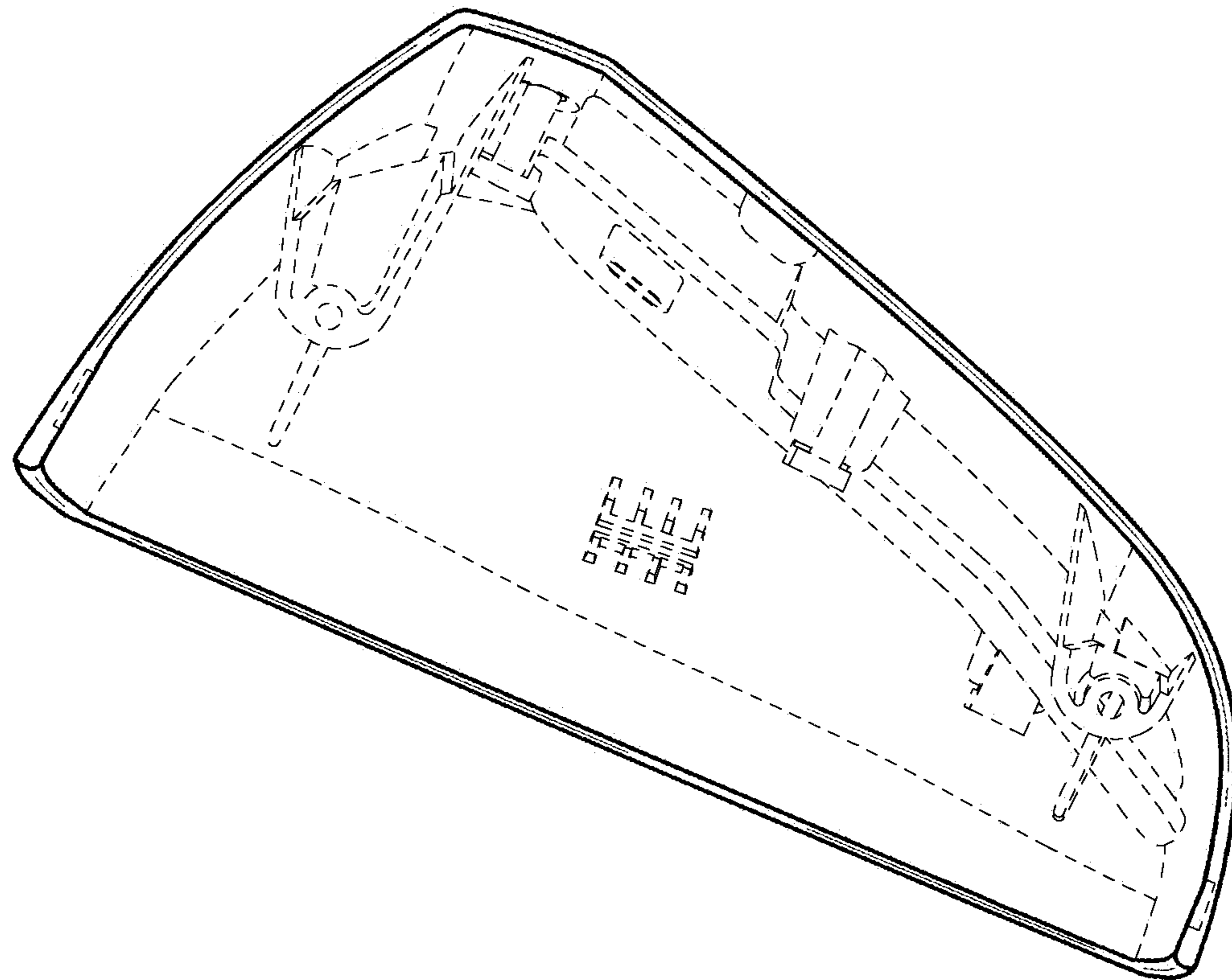


FIG. 7

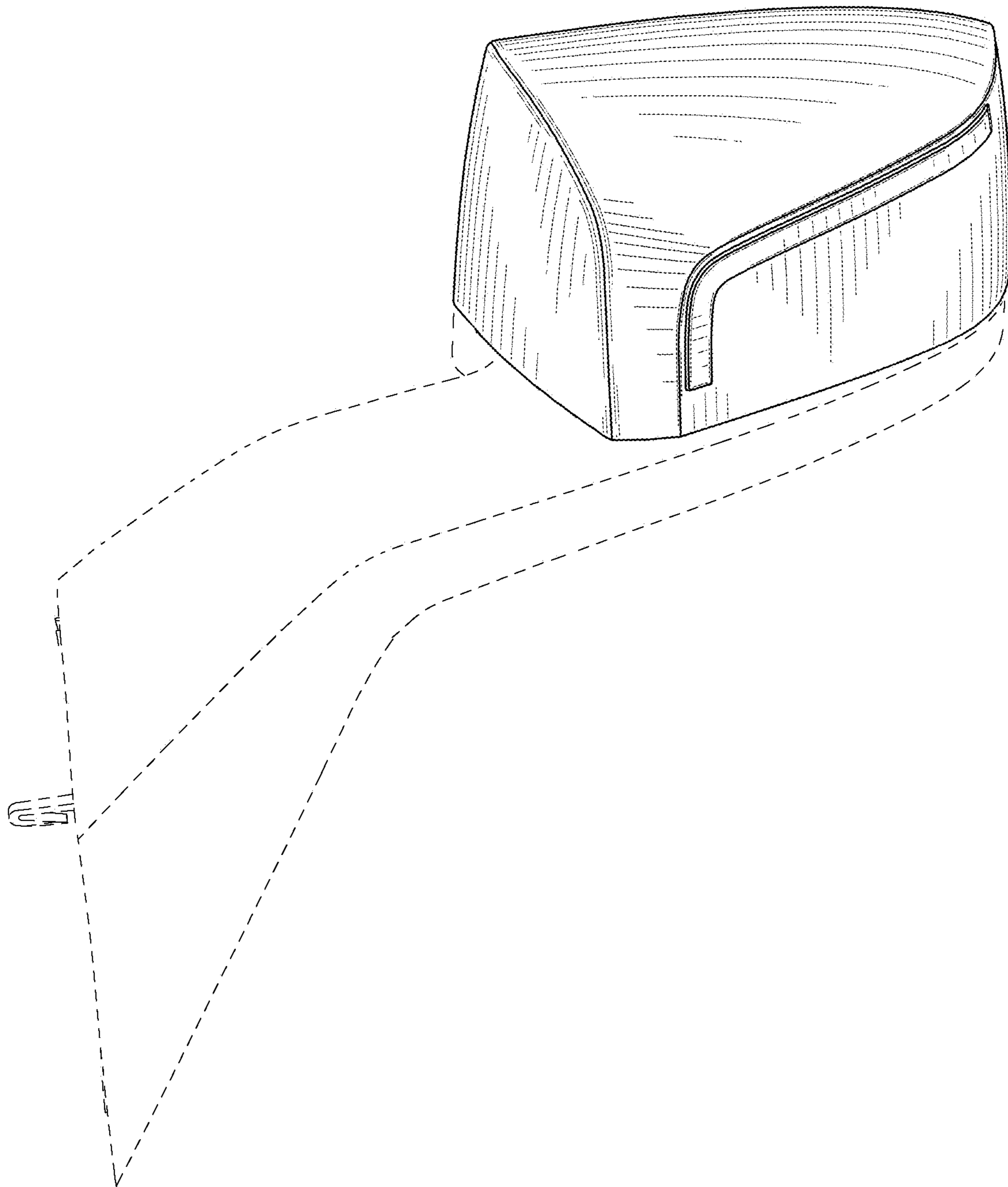


FIG. 8