



US00D961470S

(12) **United States Design Patent**  
**DiCanzio**

(10) **Patent No.:** **US D961,470 S**

(45) **Date of Patent:** **\*\* Aug. 23, 2022**

(54) **QUARTER WINDOW LOUVER FOR AN AUTOMOBILE**

(71) Applicant: **Turn 5, Inc.**, Paoli, PA (US)

(72) Inventor: **Michael DiCanzio**, West Chester, PA (US)

(73) Assignee: **TURN 5, INC.**, Paoli, PA (US)

(\*\*) Term: **15 Years**

(21) Appl. No.: **29/697,791**

(22) Filed: **Jul. 11, 2019**

(51) **LOC (13) Cl.** ..... **12-16**

(52) **U.S. Cl.**  
USPC ..... **D12/181**

(58) **Field of Classification Search**  
USPC ..... D12/181-184, 191, 190  
CPC ..... B62D 35/00; B62D 35/007; B62D 37/02  
See application file for complete search history.

(56) **References Cited**

U.S. PATENT DOCUMENTS

D808,316 S *	1/2018	Piscitelli	.....	D12/190
D830,239 S *	10/2018	Behmer	.....	D12/163
D842,767 S *	3/2019	Hjorten	.....	D12/163
D874,368 S *	2/2020	Smith	.....	D12/190
D874,369 S *	2/2020	Donfrancesco	.....	D12/190
D878,986 S *	3/2020	Smith	.....	D12/181
D882,472 S *	4/2020	Goodrich	.....	D12/190

D886,698 S *	6/2020	Goodrich	.....	D12/190
D894,070 S *	8/2020	Patel	.....	D12/190
D895,495 S *	9/2020	Grewer	.....	D12/190
D916,636 S *	4/2021	Grand	.....	D12/190
2018/0251162 A1 *	9/2018	Overgaard	.....	B62D 25/24

\* cited by examiner

*Primary Examiner* — Katrina A Betton

(74) *Attorney, Agent, or Firm* — Troutman Pepper Hamilton Sanders LLP

(57) **CLAIM**

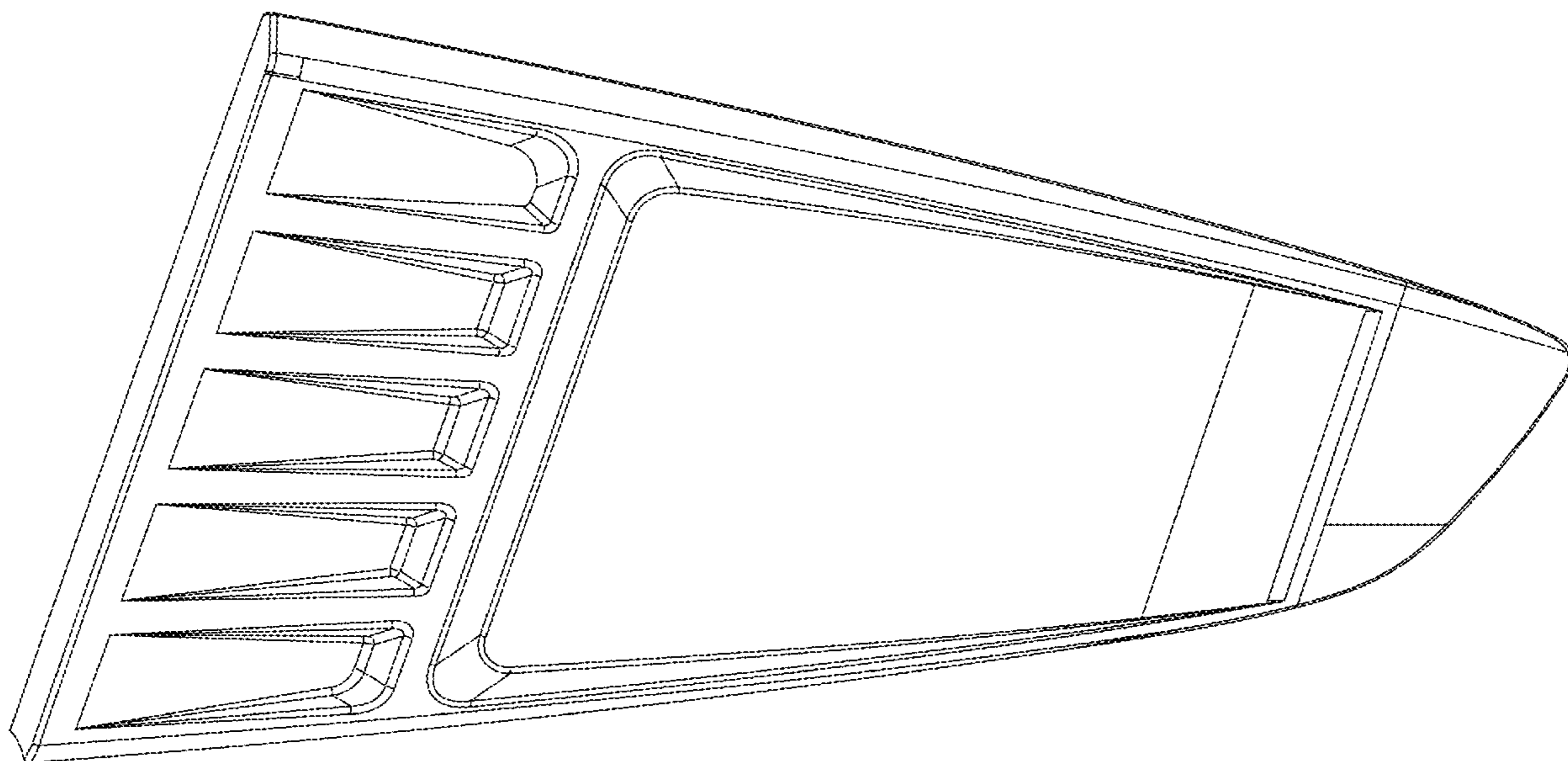
The ornamental design for the quarter window louver for an automobile, as shown and described.

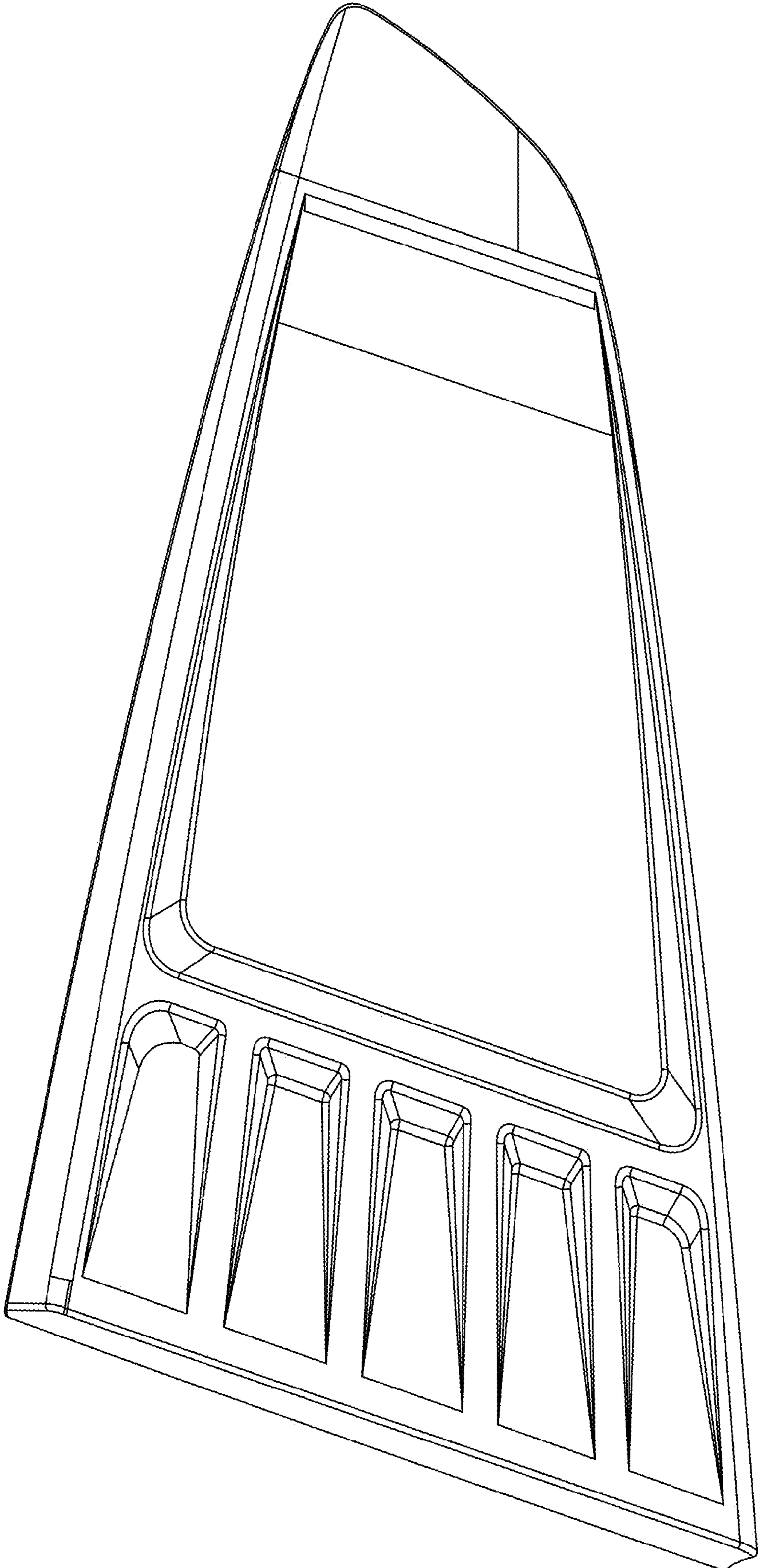
**DESCRIPTION**

FIG. 1 is a front elevation view of a quarter window louver for an automobile of the present invention, it being understood that in the views, a mirror image thereof is possible; FIG. 2 is a rear view thereof; FIG. 3 is a top view thereof; FIG. 4 is a bottom view thereof; FIG. 5 is a left side view thereof; FIG. 6 is a right side view thereof; FIG. 7 is a perspective view thereof; FIG. 8 is another perspective view thereof; FIG. 9 is another perspective view thereof; and, FIG. 10 is another perspective view of the mirror view thereof.

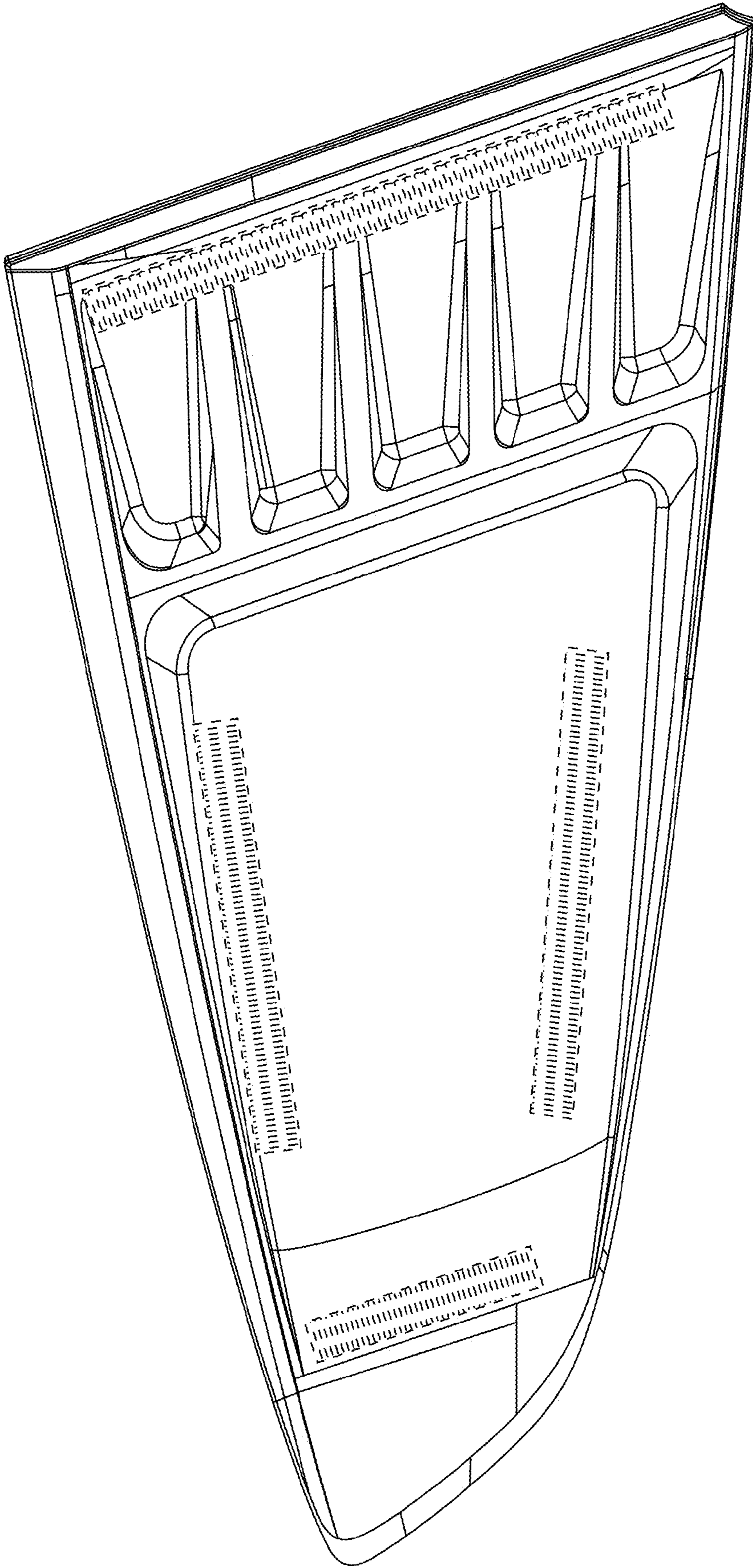
Any broken lines are provided for the purpose of illustrating environmental structure(s) and form no part of the claimed design.

**1 Claim, 10 Drawing Sheets**



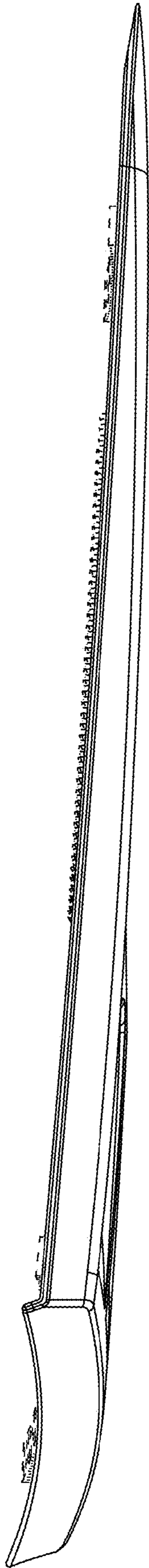


**FIG. 1**

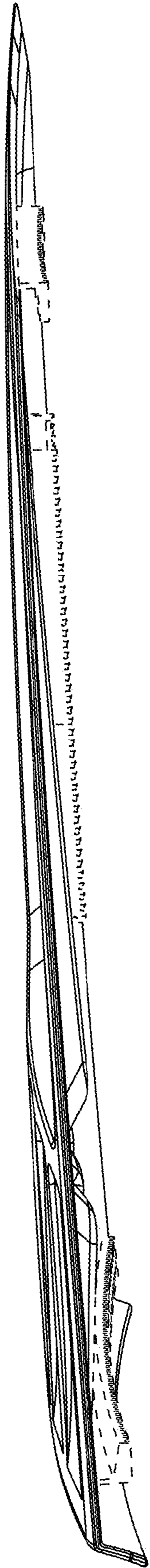


**FIG. 2**

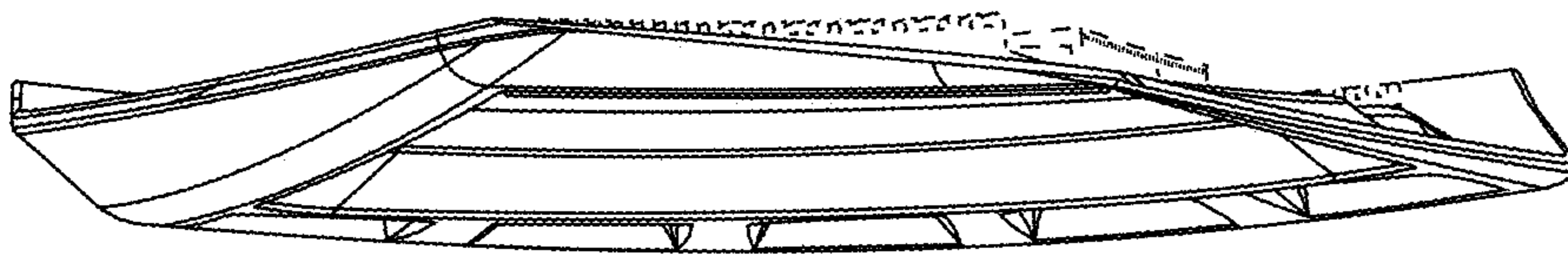




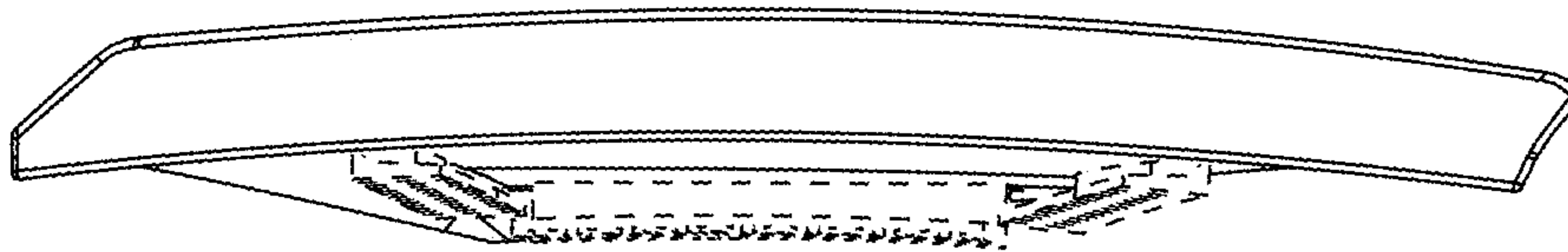
**FIG. 3**



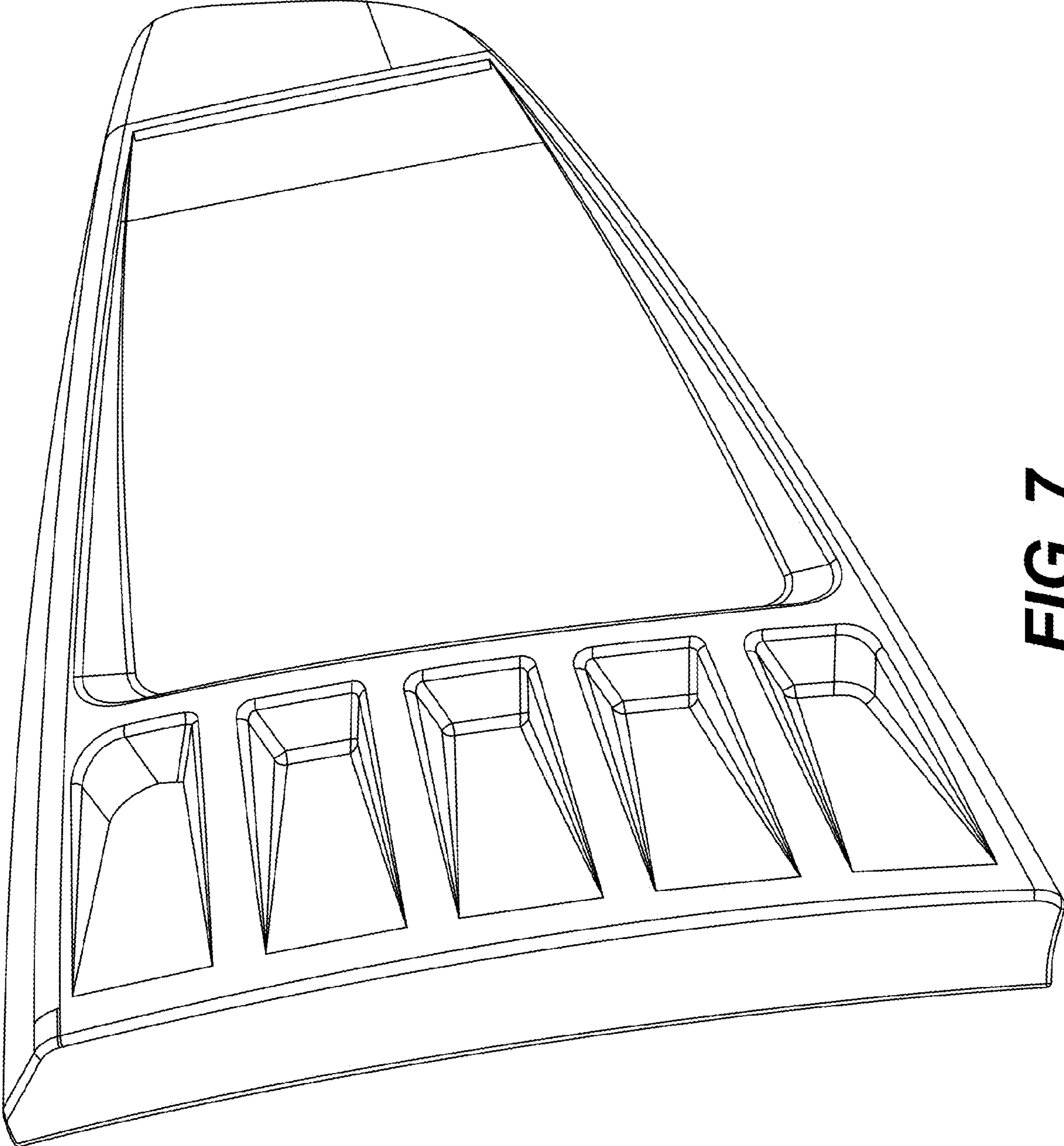
**FIG. 4**



**FIG. 5**

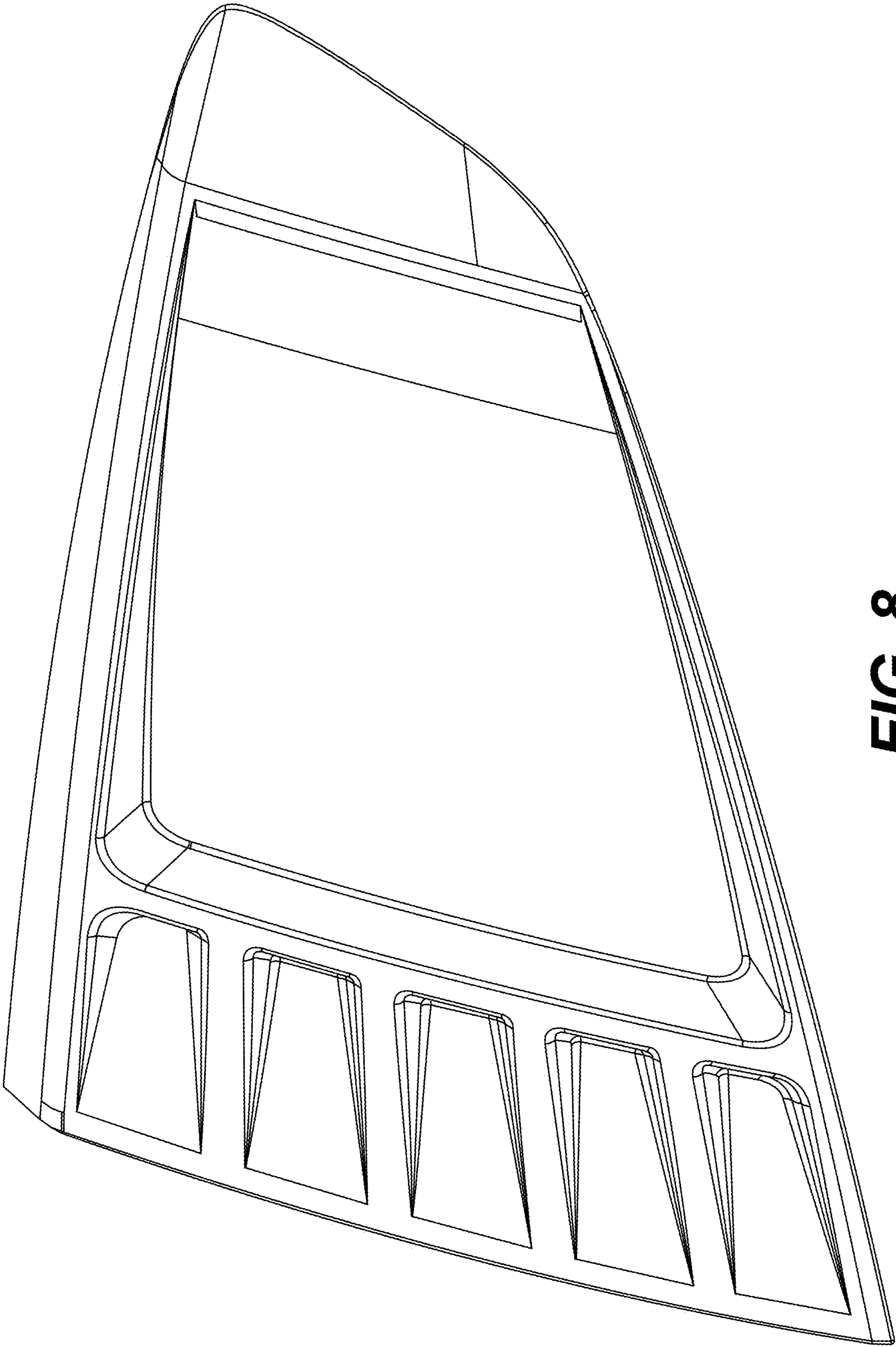


**FIG. 6**

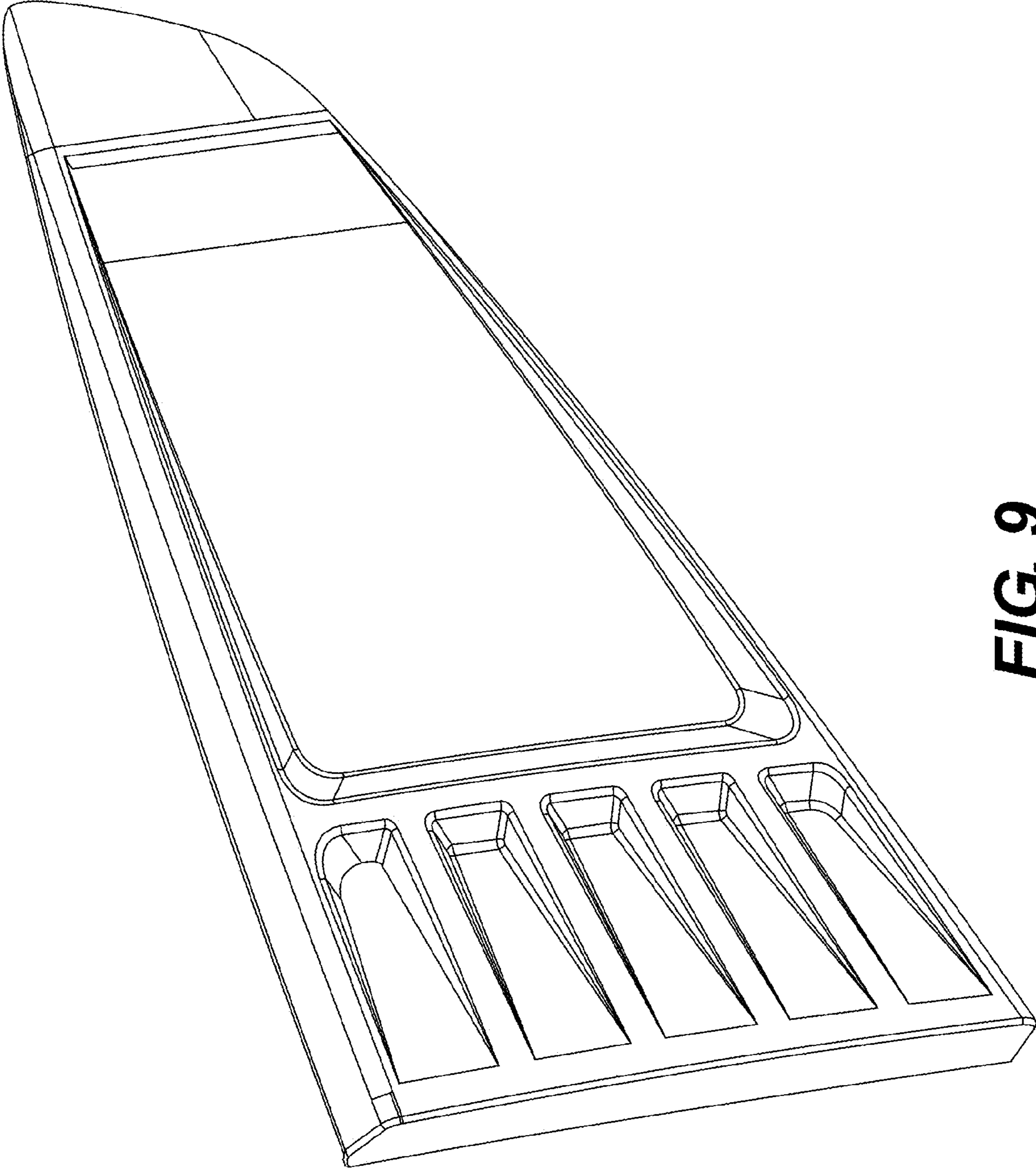


**FIG. 7**

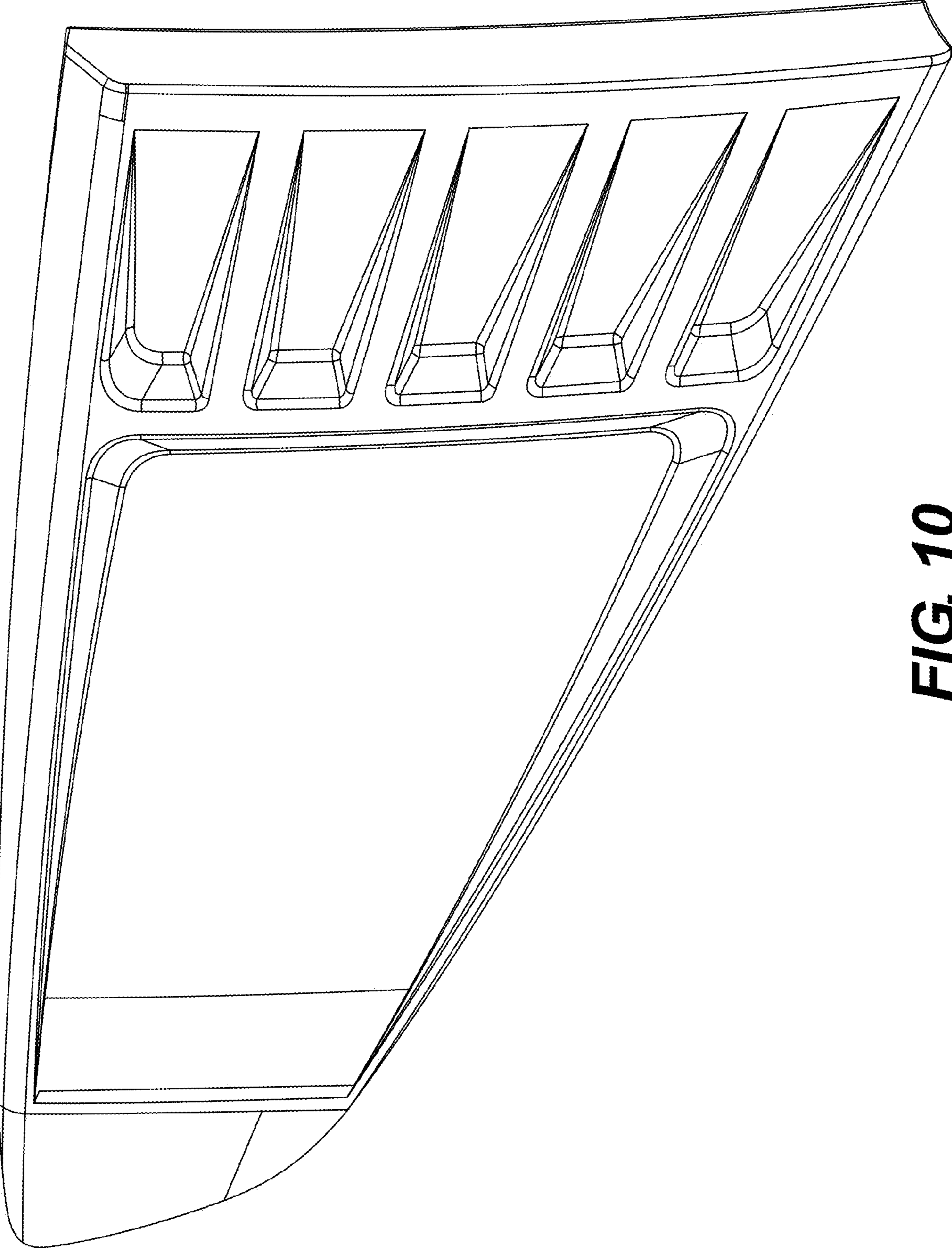




**FIG. 8**



**FIG. 9**



**FIG. 10**