



US00D961468S

(12) **United States Design Patent**  
**Schwartz et al.**

(10) **Patent No.:** **US D961,468 S**

(45) **Date of Patent:** **\*\* Aug. 23, 2022**

(54) **HOOD**

(71) Applicant: **Shem, LLC**, Highland Park, IL (US)

(72) Inventors: **Eric Robert Schwartz**, Long Grove, IL (US); **Adam J. Burck**, Glenview, IL (US); **Kyle Allen Ezra**, Birmingham, AL (US); **Herman Edward Steyn**, Richmond, IN (US); **Jon Hull**, Rancho Santa Margarita, CA (US); **Mike Desmond**, Somis, CA (US); **Chris Schuttera**, Ladera Ranch, CA (US); **Gary Ragle**, Cincinnati, OH (US)

(73) Assignee: **Shem, LLC**, Highland Park, IL (US)

(\*\*) Term: **15 Years**

(21) Appl. No.: **29/733,616**

(22) Filed: **May 5, 2020**

(51) **LOC (13) Cl.** ..... **12-08**

(52) **U.S. Cl.**  
USPC ..... **D12/173**

(58) **Field of Classification Search**  
USPC ... D12/1, 14, 82, 86, 87, 89, 90, 91, 92, 93, D12/96, 97, 98, 99, 106, 164, 167, 169, D12/170, 171, 172, 173, 181, 184, 185, D12/190, 192, 196, 400; D21/533, 548, D21/552, 561; D15/28  
CPC ..... B62D 25/02; B62D 25/10; B62D 25/12; B62D 25/105; B62D 25/08; B62D 25/16; B62D 25/18; B62D 25/161; B62D 25/168; B62D 25/182; B62D 25/184; B62D 23/005; B60R 19/00

See application file for complete search history.

(56) **References Cited**

**U.S. PATENT DOCUMENTS**

D268,258 S \* 3/1983 Fisk ..... D12/164  
D306,421 S \* 3/1990 Allendorph ..... D12/173

D306,714 S \* 3/1990 Allendorph ..... D12/173  
D307,126 S \* 4/1990 Allendorph ..... D12/173  
D328,273 S \* 7/1992 McGrew, Jr. .... D12/173  
D335,272 S \* 5/1993 Allendorph ..... D12/173  
D367,027 S \* 2/1996 Onopa ..... D12/173  
D391,908 S \* 3/1998 Allendorph ..... D12/173  
D393,436 S \* 4/1998 Williams ..... D12/173  
D394,624 S \* 5/1998 Allendorph ..... D12/173  
D401,198 S \* 11/1998 Mueller ..... D12/173  
D426,800 S \* 6/2000 Zimmerman ..... D12/173  
D435,816 S \* 1/2001 Delashaw ..... D12/173  
D436,563 S \* 1/2001 Delashaw ..... D12/173  
D437,574 S \* 2/2001 Beigel ..... D12/173

(Continued)

**FOREIGN PATENT DOCUMENTS**

CN 109178107 A \* 1/2019

**OTHER PUBLICATIONS**

orbit.com, Vehicle Cab, Design Questel, Print Dates Range Dec. 3, 2020-Nov. 5, 2019, retrieved Dec. 16, 2021, 54 pages.

(Continued)

*Primary Examiner* — Cary M Robinson

*Assistant Examiner* — Adam C Mager

(74) *Attorney, Agent, or Firm* — Brooks Kushman P.C.

(57) **CLAIM**

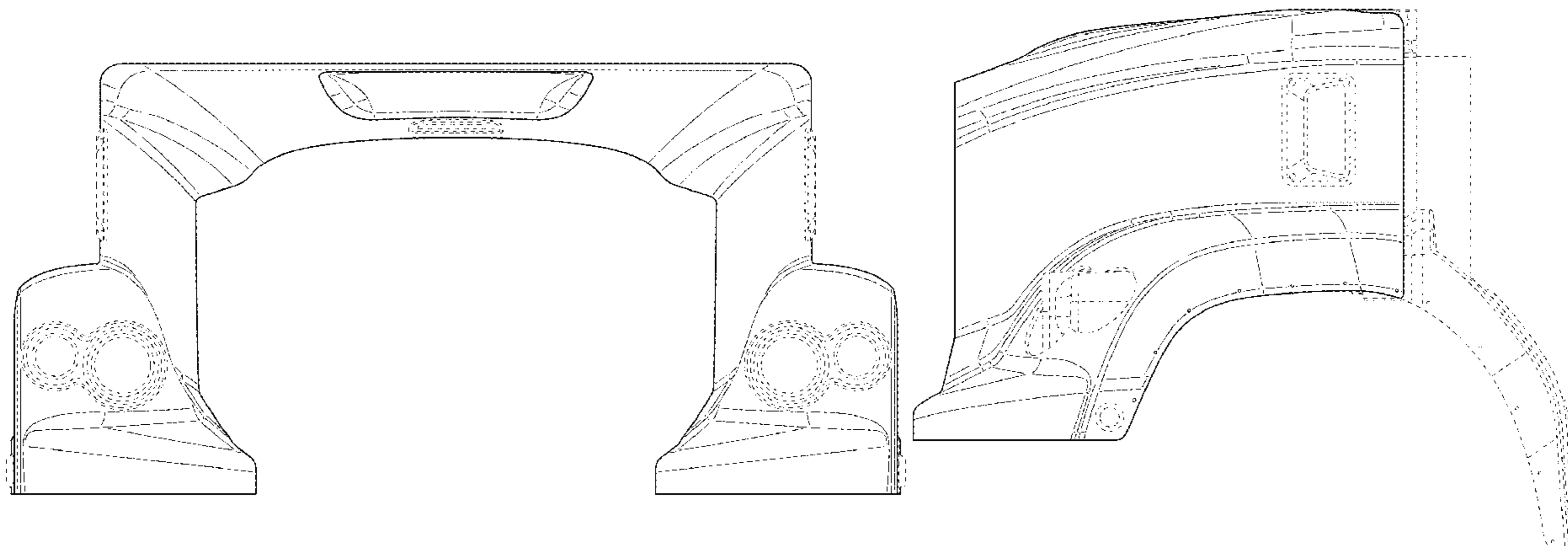
The ornamental design for a hood, as shown and described.

**DESCRIPTION**

FIG. 1 is a front view of a hood showing our new design; FIG. 2 is a right side view thereof; FIG. 3 is a left side view thereof; and, FIG. 4 is a top view of the hood but shown in a different broken line environment.

The broken lines, and the areas within the broken lines illustrate portions of the hood and form no part of the claimed design.

**1 Claim, 4 Drawing Sheets**



(56)

References Cited

U.S. PATENT DOCUMENTS

D445,384 S \* 7/2001 Tirey ..... D12/173  
 D458,197 S \* 6/2002 Maher ..... D12/173  
 D466,450 S \* 12/2002 Maher ..... D12/173  
 D484,077 S \* 12/2003 Conway ..... D12/173  
 D488,112 S \* 4/2004 Satou ..... D12/173  
 D492,921 S \* 7/2004 Perfetti ..... D12/173  
 D502,901 S \* 3/2005 Delashaw ..... D12/173  
 D504,642 S \* 5/2005 Perfetti ..... D12/173  
 D532,350 S \* 11/2006 Angelo ..... D12/173  
 D532,352 S \* 11/2006 Angelo ..... D12/184  
 D536,287 S \* 2/2007 Beigel ..... D12/173  
 D540,725 S \* 4/2007 Gunter ..... D12/173  
 D545,254 S \* 6/2007 Angelo ..... D12/173  
 D550,131 S \* 9/2007 Onopa ..... D12/173  
 D556,654 S \* 12/2007 Lee ..... D12/173  
 D563,849 S \* 3/2008 Medina ..... D12/173  
 D563,850 S \* 3/2008 Rosen ..... D12/173  
 D563,851 S \* 3/2008 Rosen ..... D12/173  
 D563,852 S \* 3/2008 Rosen ..... D12/173  
 D571,696 S \* 6/2008 Rosen ..... D12/173  
 D578,453 S \* 10/2008 Raghavendran ..... D12/173  
 D588,512 S \* 3/2009 Raghavendran ..... D12/173  
 D632,224 S \* 2/2011 Peltola ..... D12/96  
 D632,234 S \* 2/2011 Peltola ..... D12/173  
 D647,832 S \* 11/2011 Medina ..... D12/173  
 D654,401 S \* 2/2012 Peltola ..... D12/96  
 D654,417 S \* 2/2012 Peltola ..... D12/196  
 D686,122 S \* 7/2013 Peltola ..... D12/173  
 D690,242 S \* 9/2013 Conway ..... D12/173  
 D690,632 S \* 10/2013 Peltola ..... D12/173  
 D706,690 S \* 6/2014 Peltola ..... D12/184  
 D707,160 S \* 6/2014 Peltola ..... D12/173  
 D707,161 S \* 6/2014 Peltola ..... D12/173  
 D707,163 S \* 6/2014 Peltola ..... D12/184  
 D708,104 S \* 7/2014 Conway ..... D12/196  
 D708,553 S \* 7/2014 Conway ..... D12/96  
 D708,985 S \* 7/2014 Peltola ..... D12/96  
 D708,986 S \* 7/2014 Conway ..... D12/96  
 D708,999 S \* 7/2014 Conway ..... D12/173  
 D709,000 S \* 7/2014 Peltola ..... D12/173  
 D709,001 S \* 7/2014 Conway ..... D12/173  
 D709,406 S \* 7/2014 Conway ..... D12/96  
 D709,407 S \* 7/2014 Conway ..... D12/96  
 D709,408 S \* 7/2014 Peltola ..... D12/96  
 D709,411 S \* 7/2014 Peltola ..... D12/173  
 D709,421 S \* 7/2014 Conway ..... D12/196  
 D709,422 S \* 7/2014 Peltola ..... D12/196  
 D709,423 S \* 7/2014 Peltola ..... D12/196  
 D709,424 S \* 7/2014 Conway ..... D12/196  
 D709,425 S \* 7/2014 Conway ..... D12/196  
 D729,709 S \* 5/2015 Conway ..... D12/173  
 D738,273 S \* 9/2015 Hanson ..... D12/173

D738,274 S \* 9/2015 Hanson ..... D12/173  
 D743,308 S \* 11/2015 Hanson ..... D12/173  
 D771,539 S \* 11/2016 Brzustowicz ..... D12/173  
 D778,216 S \* 2/2017 Ito ..... D12/173  
 D778,217 S \* 2/2017 Ito ..... D12/173  
 D782,381 S \* 3/2017 Conway ..... D12/196  
 D803,114 S \* 11/2017 Ito ..... D12/173  
 D804,373 S \* 12/2017 Ito ..... D12/173  
 D805,981 S \* 12/2017 Conway ..... D12/196  
 D862,319 S \* 10/2019 Duncan ..... D12/173  
 D862,320 S \* 10/2019 Duncan ..... D12/173  
 D862,321 S \* 10/2019 Duncan ..... D12/173  
 D862,322 S \* 10/2019 Duncan ..... D12/173  
 D862,323 S \* 10/2019 Duncan ..... D12/173  
 D862,324 S \* 10/2019 Duncan ..... D12/173  
 D875,627 S \* 2/2020 Duncan ..... D12/184  
 D885,281 S \* 5/2020 Duncan ..... D12/196  
 D891,331 S \* 7/2020 Dickman ..... D12/173  
 D915,252 S \* 4/2021 Duncan ..... D12/173  
 D915,263 S \* 4/2021 Duncan ..... D12/196  
 D915,264 S \* 4/2021 Duncan ..... D12/196  
 D924,754 S \* 7/2021 Duncan ..... D12/173  
 D924,755 S \* 7/2021 Duncan ..... D12/173  
 D925,416 S \* 7/2021 Duncan ..... D12/173  
 D925,425 S \* 7/2021 Duncan ..... D12/196  
 D925,426 S \* 7/2021 Duncan ..... D12/196  
 2019/0031111 A1 1/2019 Roy et al.  
 2019/0225468 A1 7/2019 Lemke et al.  
 2019/0345689 A1 11/2019 Tatsuta et al.  
 2020/0086796 A1 3/2020 Berne  
 2020/0086865 A1 3/2020 Machay  
 2020/0122661 A1 4/2020 Pawlowski  
 2020/0156712 A1 5/2020 Hermann  
 2020/0238908 A1 7/2020 Berne  
 2020/0255068 A1 8/2020 De Smidt et al.  
 2020/0346697 A1 11/2020 Schwalbe  
 2021/0070215 A1 3/2021 McCoy, Jr.  
 2021/0237662 A1 8/2021 Berne et al.  
 2021/0387682 A1 12/2021 Kim

OTHER PUBLICATIONS

Duncan, "Lake Saint Louis Firetruck's Cab Lift Manfunctions", <https://www.70westsentinel.com/lake-saint-louis-firetrucks-cab-lift-malfuctions>, Jul. 7, 2016, 2 pages.  
 "KME Severe Service Split Tilt Cab Fire Truck Demo", 2019, Bulldog Fire and Emergency Apparatus, <https://www.bulldogfireapparatus.com/listings/stop-by-our-facility-to-see-our-kme-service-split-tilt-cab-fire-truck-demo>.  
 "Seagrave Attacker", Aug. 2020, Seagrave, <https://seagrave.com/Portals/0/Attacker%209-10-20.pdf>.  
 Canada Examination Report for Application No. 199146, dated Feb. 22, 2022, 5 pages.

\* cited by examiner

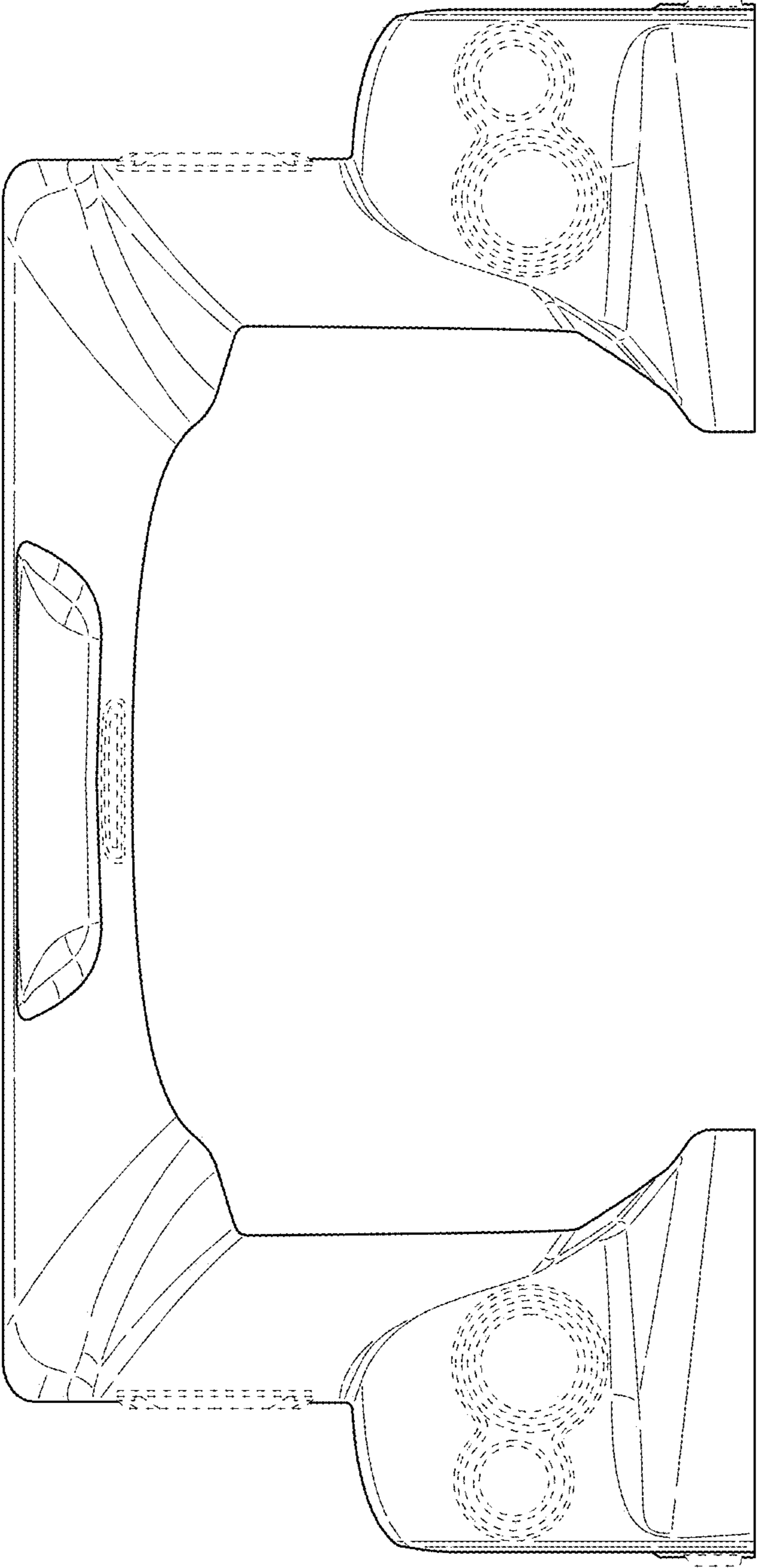


FIG. 1

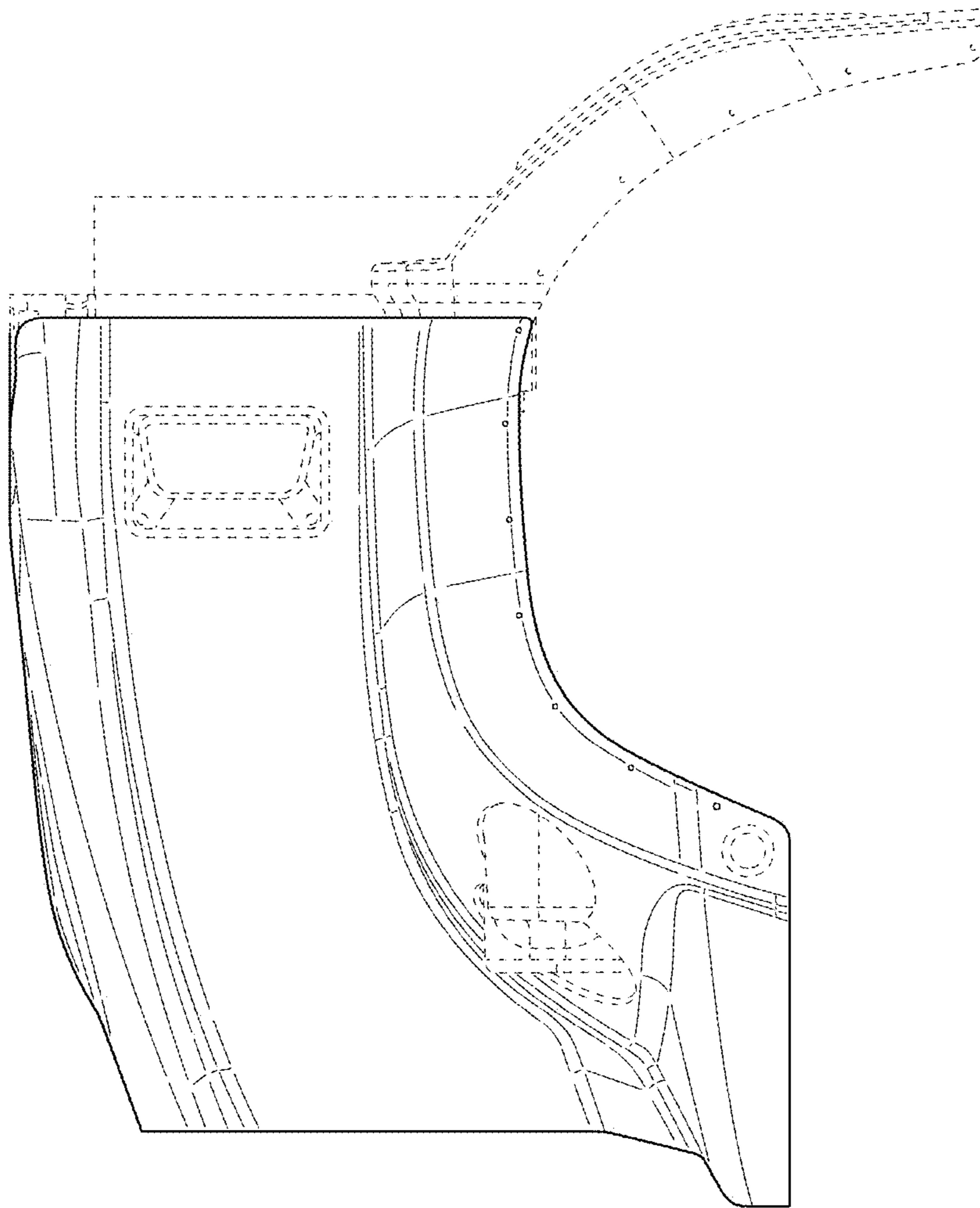


FIG. 2

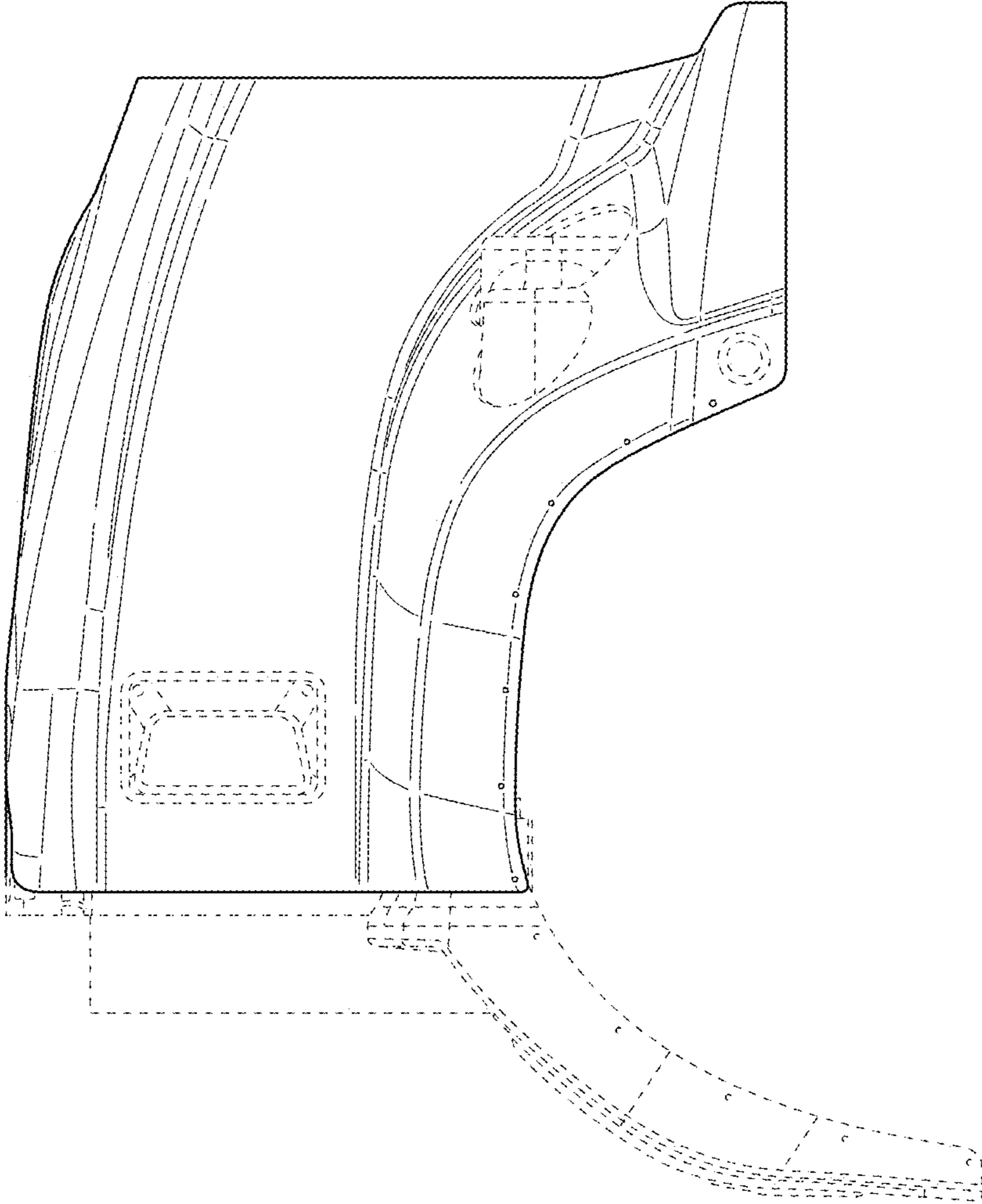


FIG. 3

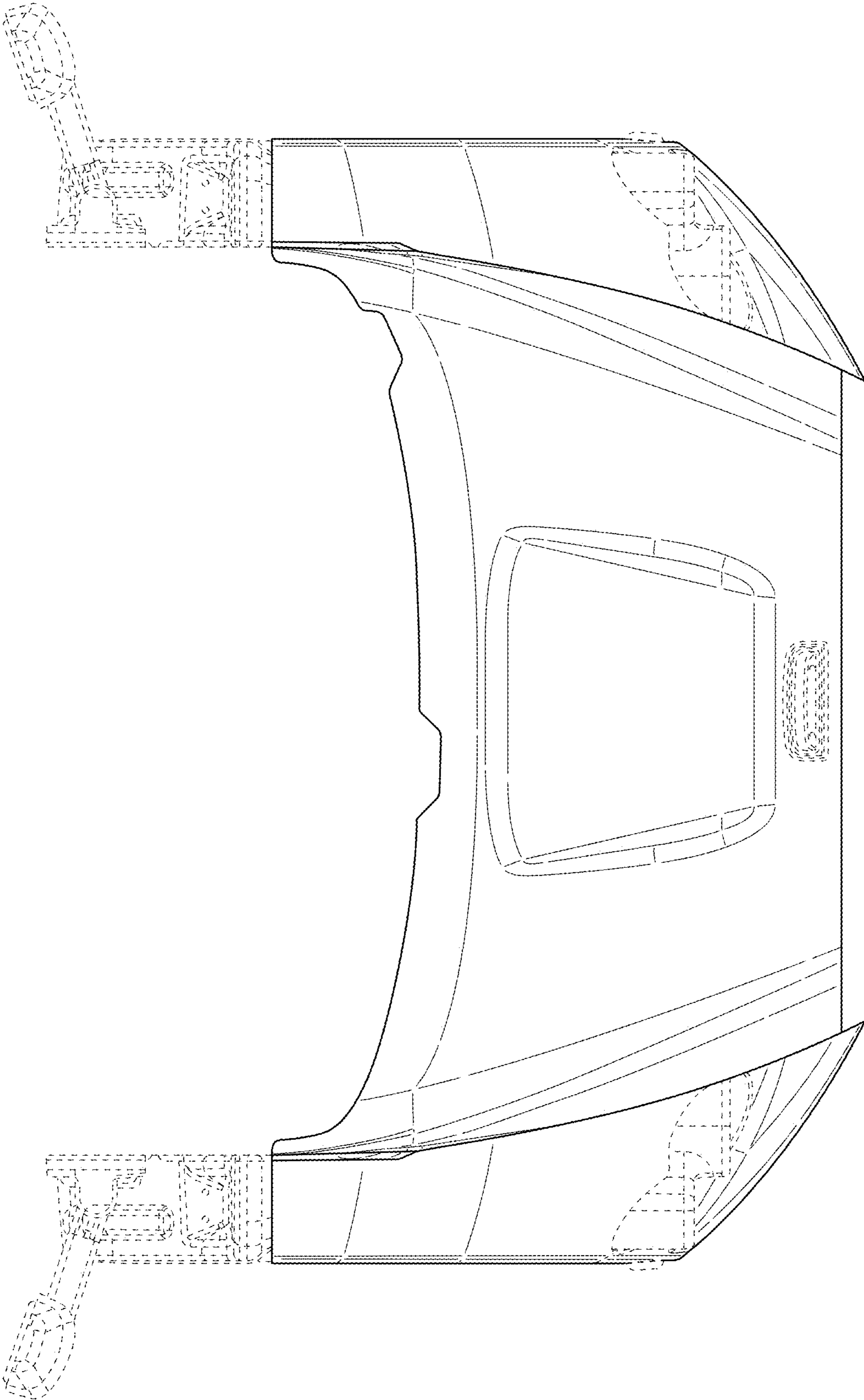


FIG. 4