



US00D961465S

(12) **United States Design Patent** (10) **Patent No.:** **US D961,465 S**  
**Langhals et al.** (45) **Date of Patent:** **\*\* Aug. 23, 2022**

- (54) **GRILLE INSERT**
- (71) Applicants: **Taylor A. Langhals**, Waterford, MI (US); **Brian H. Nielander**, Royal Oak, MI (US); **Mark T. Allen**, Oxford, MI (US)
- (72) Inventors: **Taylor A. Langhals**, Waterford, MI (US); **Brian H. Nielander**, Royal Oak, MI (US); **Mark T. Allen**, Oxford, MI (US)

D934,756 S *	11/2021	Akcay	.....	D12/169
D934,761 S *	11/2021	Giumentaro	.....	D12/169
D936,535 S *	11/2021	Huang	.....	D12/169
D937,154 S *	11/2021	Akcay	.....	D12/169
D938,319 S *	12/2021	Iwanaga	.....	D12/169
D938,321 S *	12/2021	Kushima	.....	D12/169
D939,407 S *	12/2021	Bischoff	.....	D12/169
D940,019 S *	1/2022	Kubo	.....	D12/169

- (73) Assignee: **FCA US LLC**, Auburn Hills, MI (US)
- (\*\*) Term: **15 Years**
- (21) Appl. No.: **29/815,279**
- (22) Filed: **Nov. 12, 2021**

**Related U.S. Application Data**

- (63) Continuation-in-part of application No. 29/727,307, filed on Mar. 10, 2020, now Pat. No. Des. 935,938.
- (51) **LOC (13) Cl.** ..... **12-16**
- (52) **U.S. Cl.**  
USPC ..... **D12/163**
- (58) **Field of Classification Search**  
USPC ..... D12/86, 90-92, 163, 169, 196  
CPC .... B60R 19/52; B60R 2019/25; B62D 25/084  
See application file for complete search history.

**References Cited**

**U.S. PATENT DOCUMENTS**

D932,394 S *	10/2021	Akcay	.....	D12/169
D932,396 S *	10/2021	Giumentaro	.....	D12/169
D932,957 S *	10/2021	Schmolz	.....	D12/169
D933,549 S *	10/2021	Fischer	.....	D12/169
D934,134 S *	10/2021	Giumentaro	.....	D12/169

**OTHER PUBLICATIONS**

Grille Inserts. (Design—© Questel) orbit.com. [Online PDF compilation of references] 39 pgs. Print Dates Range Jun. 29, 2021-Dec. 14, 2020 [Retrieved Jan. 6, 2022].\*

Left and Right Black Honeycomb Fog Light Lamp Grille Grill Cover. Aug. 20, 2019. Amazon. <https://www.amazon.com/Honeycomb-Grille-Compatible-Facelift-Models/dp/B07WSMZT1W>.\*

(Continued)

*Primary Examiner* — Manpreet S Matharu  
*Assistant Examiner* — Suzanne E Tisdell  
 (74) *Attorney, Agent, or Firm* — Ralph E. Smith

(57) **CLAIM**

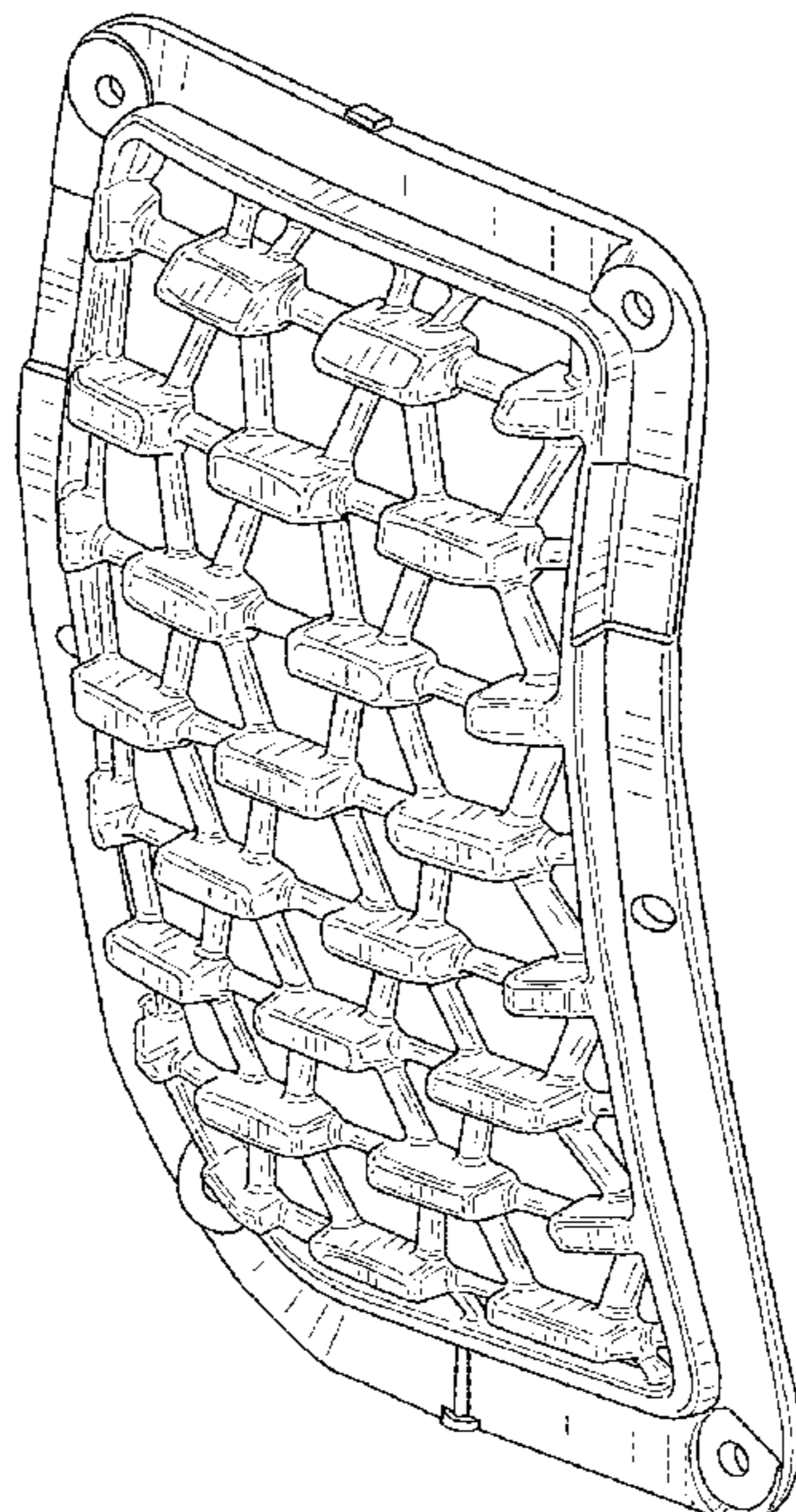
The ornamental design for an grille insert, as shown and described.

**DESCRIPTION**

FIG. 1 is a front perspective view of an grille insert showing our new design;  
 FIG. 2 is a front view thereof;  
 FIG. 3 is a rear view thereof;  
 FIG. 4 is a side view thereof;  
 FIG. 5 is a top view thereof; and,  
 FIG. 6 is a bottom view thereof.

It will be understood that the broken lines shown in the drawings illustrate portions of the grille insert that form no part of the claimed design.

**1 Claim, 6 Drawing Sheets**



(56)

**References Cited**

OTHER PUBLICATIONS

Acexxon F95 X5M F96 X6M Rear Reflector Insert Set. Sep. 1, 2021. Flickr. <https://www.flickr.com/photos/59241080@N03/51418589917/in/photostream/>.\*  
SZSS Car Left and Right Lower Front Bumper Fog Light. Sep. 4, 2018. Amazon. <https://www.amazon.com/Right-Bumper-Grille-Insert-Grilles/dp/B07H4BS5SJ?th=1>.\*

\* cited by examiner

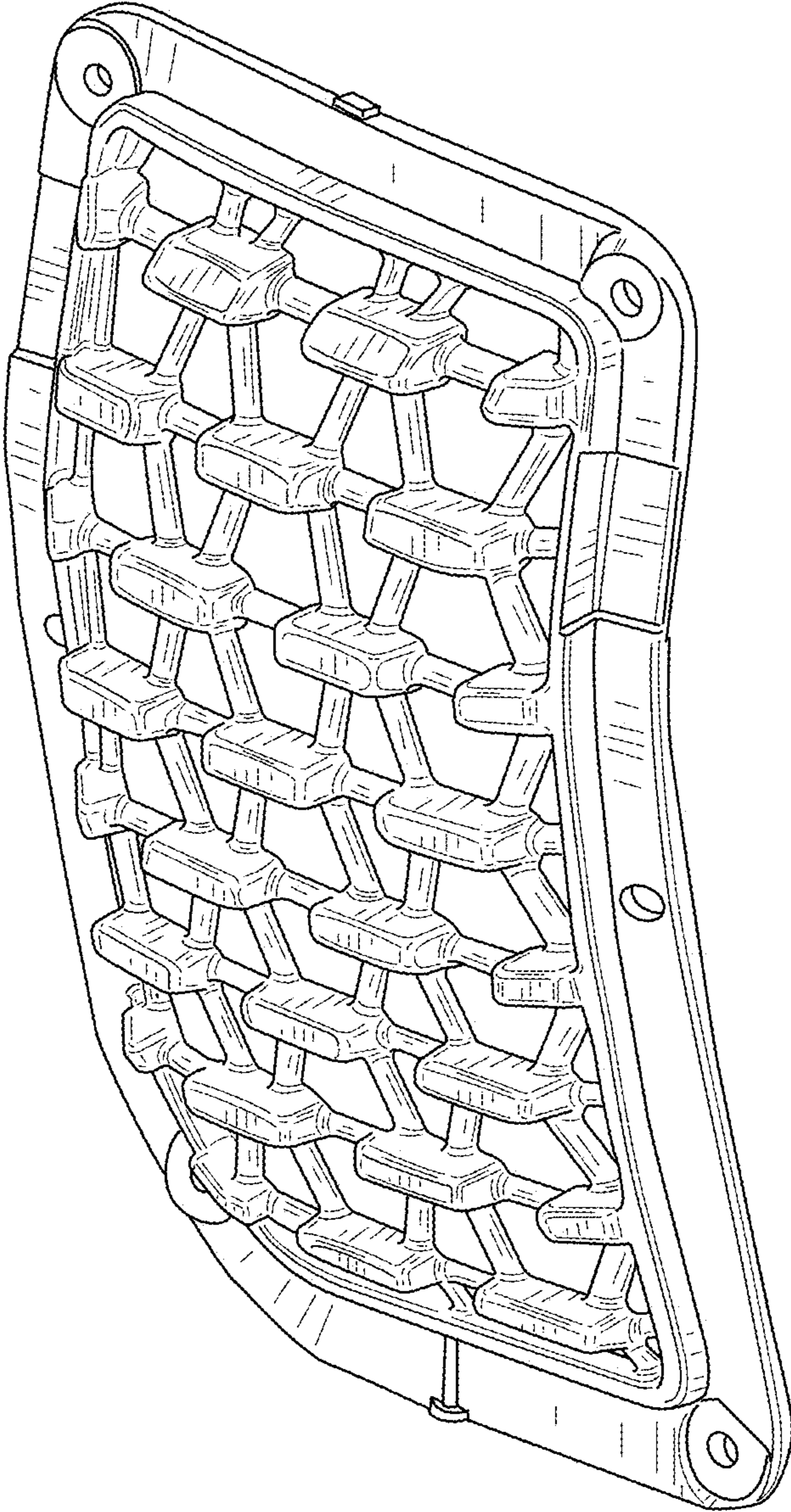


FIG. 1

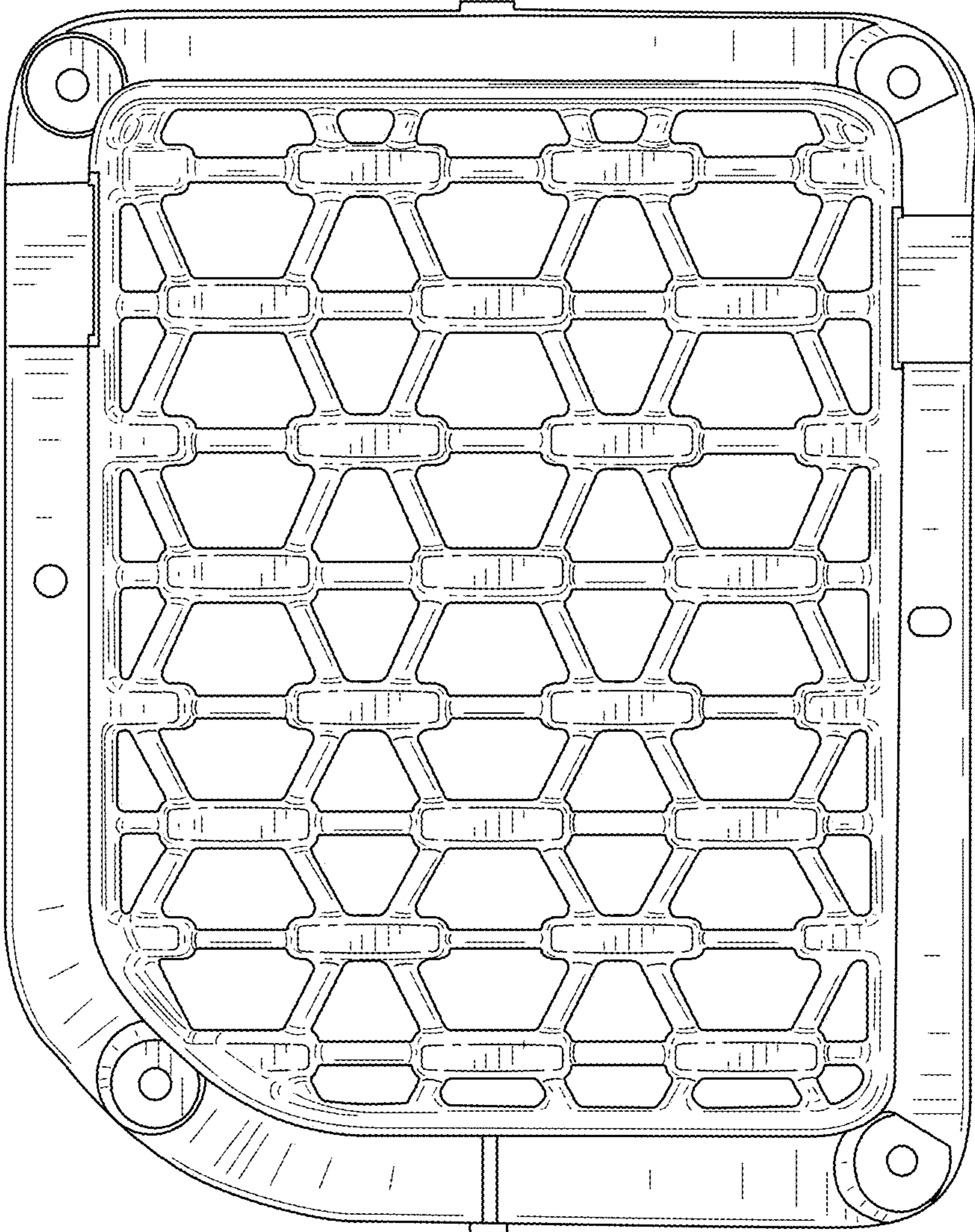


FIG. 2

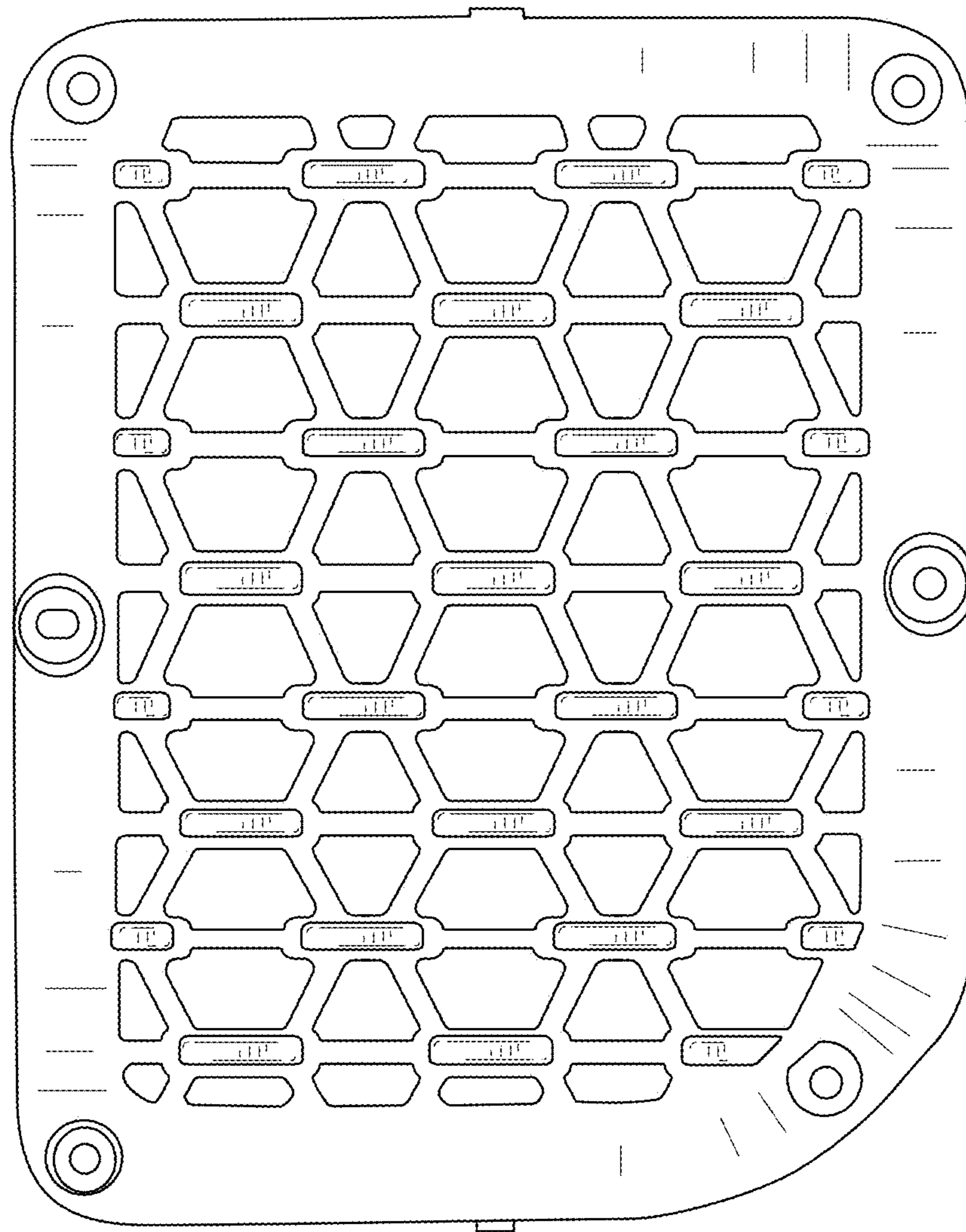


FIG. 3

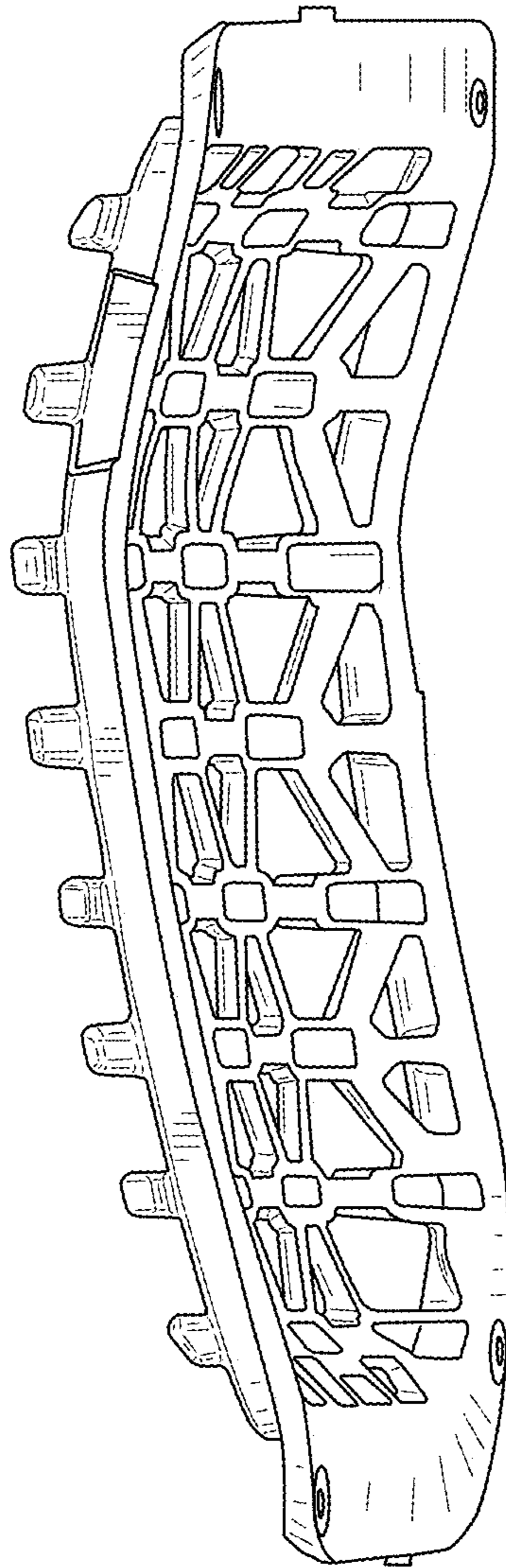


FIG. 4

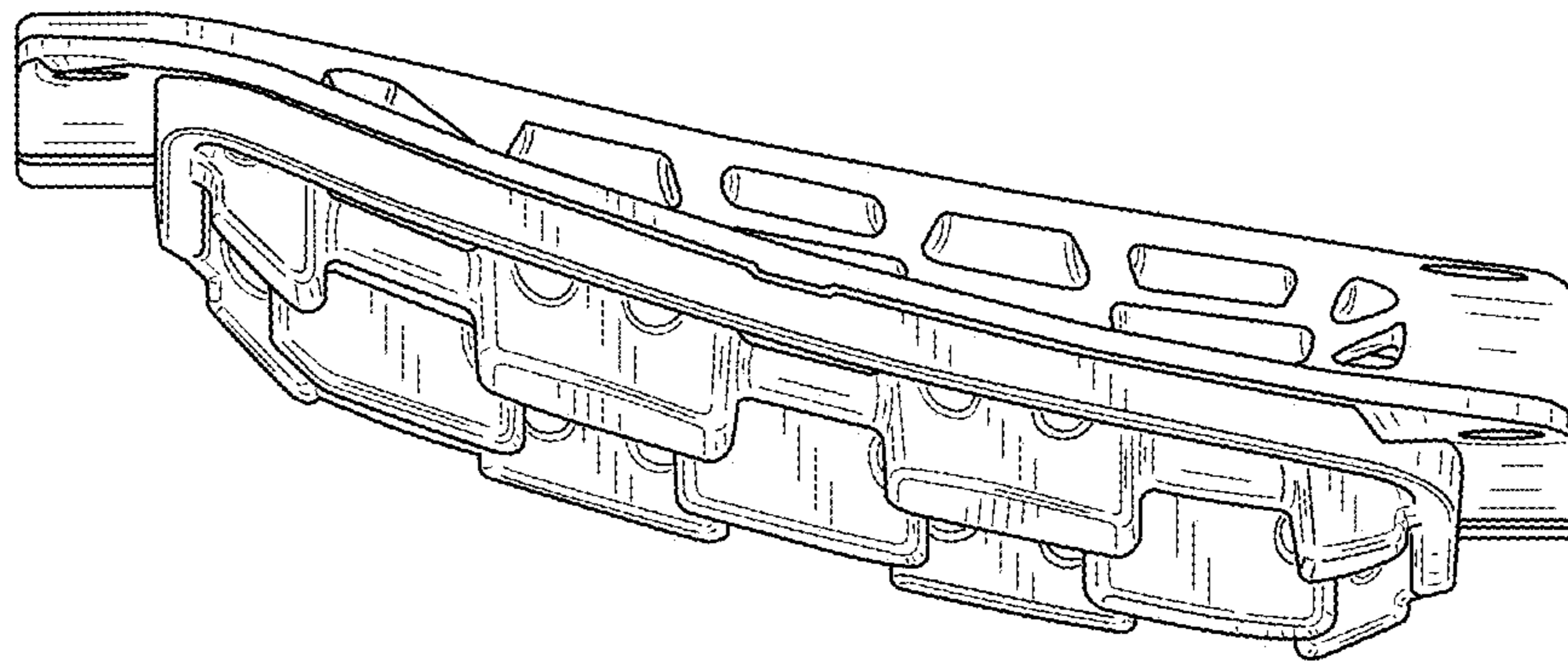


FIG. 5

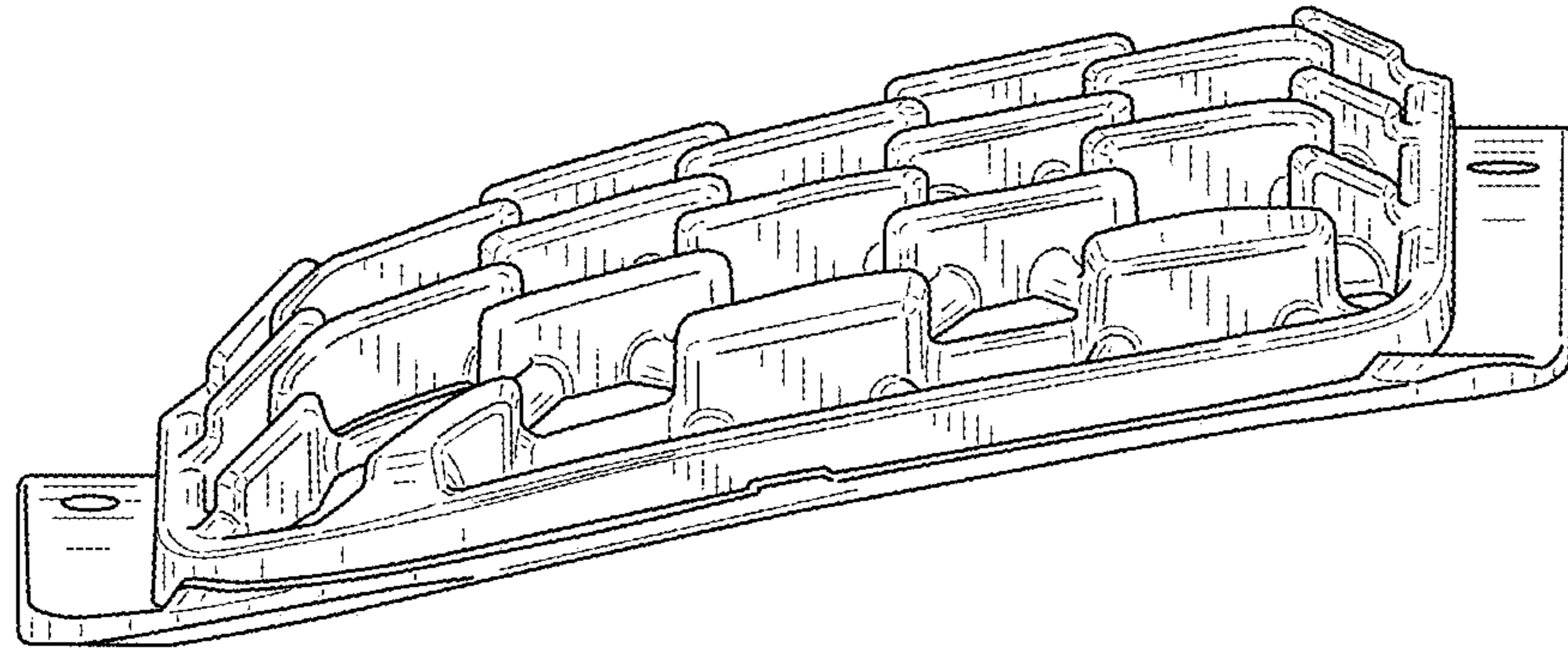


FIG. 6