



US00D961464S

(12) **United States Design Patent**  
**Calver et al.**

(10) **Patent No.:** **US D961,464 S**

(45) **Date of Patent:** **\*\* Aug. 23, 2022**

(54) **MULTIFUNCTIONAL MOBILITY SYSTEM SEAT**

(71) Applicant: **Participant Assistive Products**, San Francisco, CA (US)

(72) Inventors: **David Edward Calver**, Courtenay (CA); **George James King, Jr.**, San Francisco, CA (US); **Ryota Yamada**, Azai-cho (JP)

(73) Assignee: **Participant Assistive Products**, San Francisco, CA (US)

(\*\*) Term: **15 Years**

(21) Appl. No.: **29/764,289**

(22) Filed: **Dec. 29, 2020**

(51) **LOC (13) Cl.** ..... **12-12**

(52) **U.S. Cl.**  
USPC ..... **D12/133**

(58) **Field of Classification Search**  
USPC ..... D12/128, 129, 130, 131, 132, 133, 223;  
D21/686, 687, 689, 690, 691; D6/716.5;  
D8/349, 354, 400  
CPC . A61G 5/00; A61G 5/02; A61G 5/021; A61G 5/022; A61G 5/04; A61G 5/041; A61G 5/042; A61G 5/043; A61G 5/045; A61G 5/046; A61G 5/047; A61G 5/048; A61G 5/10; A61G 5/1062; A61G 5/1067; A61G 5/1075; A61G 5/128; A61G 5/14; A47C 7/36; A47C 7/38; A47C 7/383  
See application file for complete search history.

(56) **References Cited**

**U.S. PATENT DOCUMENTS**

2,586,417 A \* 2/1952 Cole ..... A47C 1/06  
297/409  
D168,725 S \* 2/1953 Armbruster ..... D6/716.5  
D192,321 S \* 3/1962 Armbruster ..... D6/716.5  
6,003,532 A 12/1999 Pi

6,032,975 A 3/2000 Hanson et al.  
6,086,086 A 7/2000 Hanson et al.  
6,270,111 B1 8/2001 Hanson et al.  
6,715,783 B1 4/2004 Hanson et al.  
7,093,313 B2 \* 8/2006 DeBaal ..... A61G 13/121  
248/292.12

(Continued)

**FOREIGN PATENT DOCUMENTS**

CN 213250526 U \* 5/2021  
CN 113520738 A \* 10/2021

**OTHER PUBLICATIONS**

Cub, Published Sep. 1, 2021 [online], [retrieved on Dec. 8, 2021]. Retrieved from the Internet: <https://www.youtube.com/watch?v=aYLmoShmUNI> (Year: 2021).\*

(Continued)

*Primary Examiner* — Cary M Robinson  
*Assistant Examiner* — Adam C Mager  
(74) *Attorney, Agent, or Firm* — Morrison & Foerster LLP

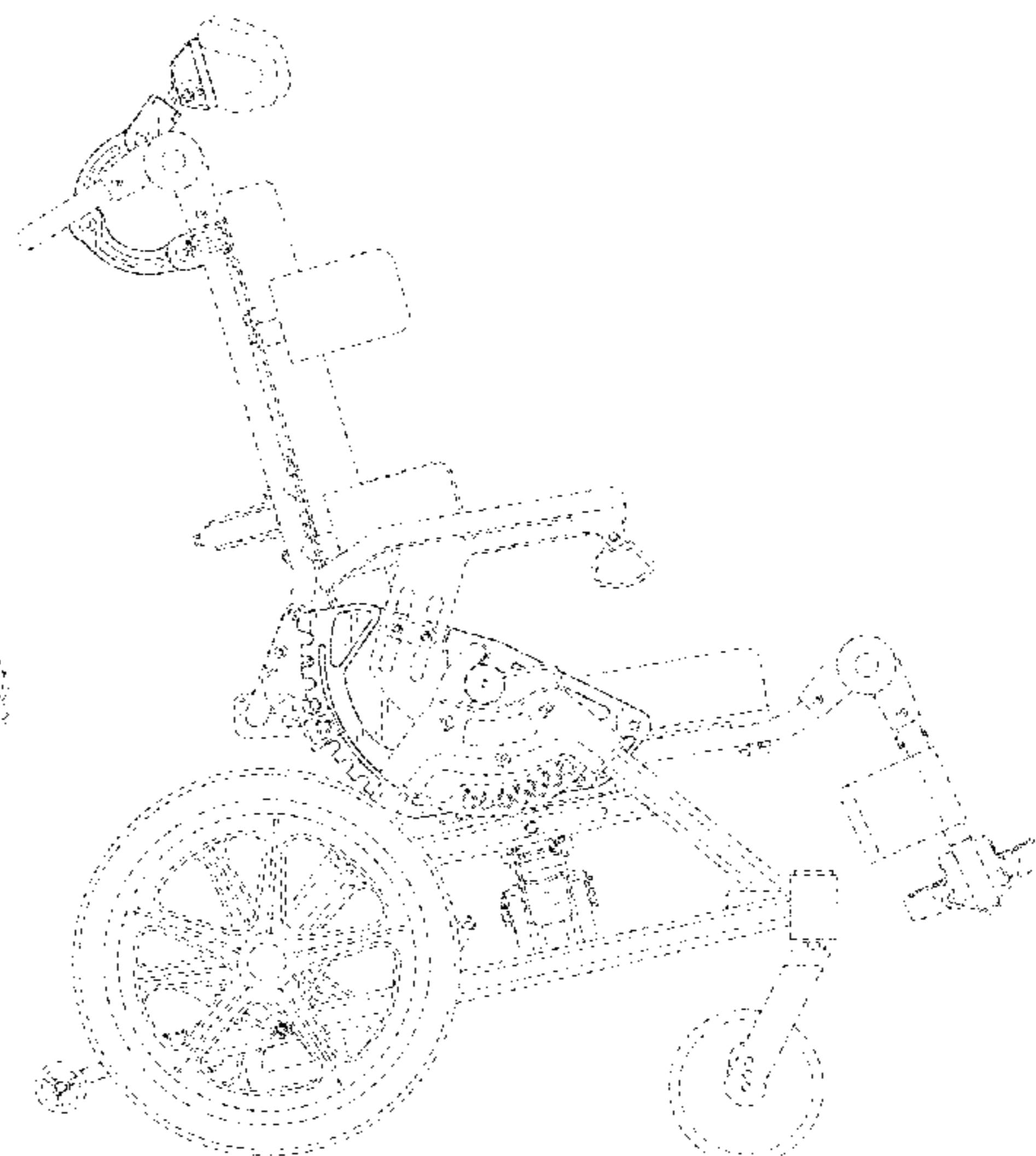
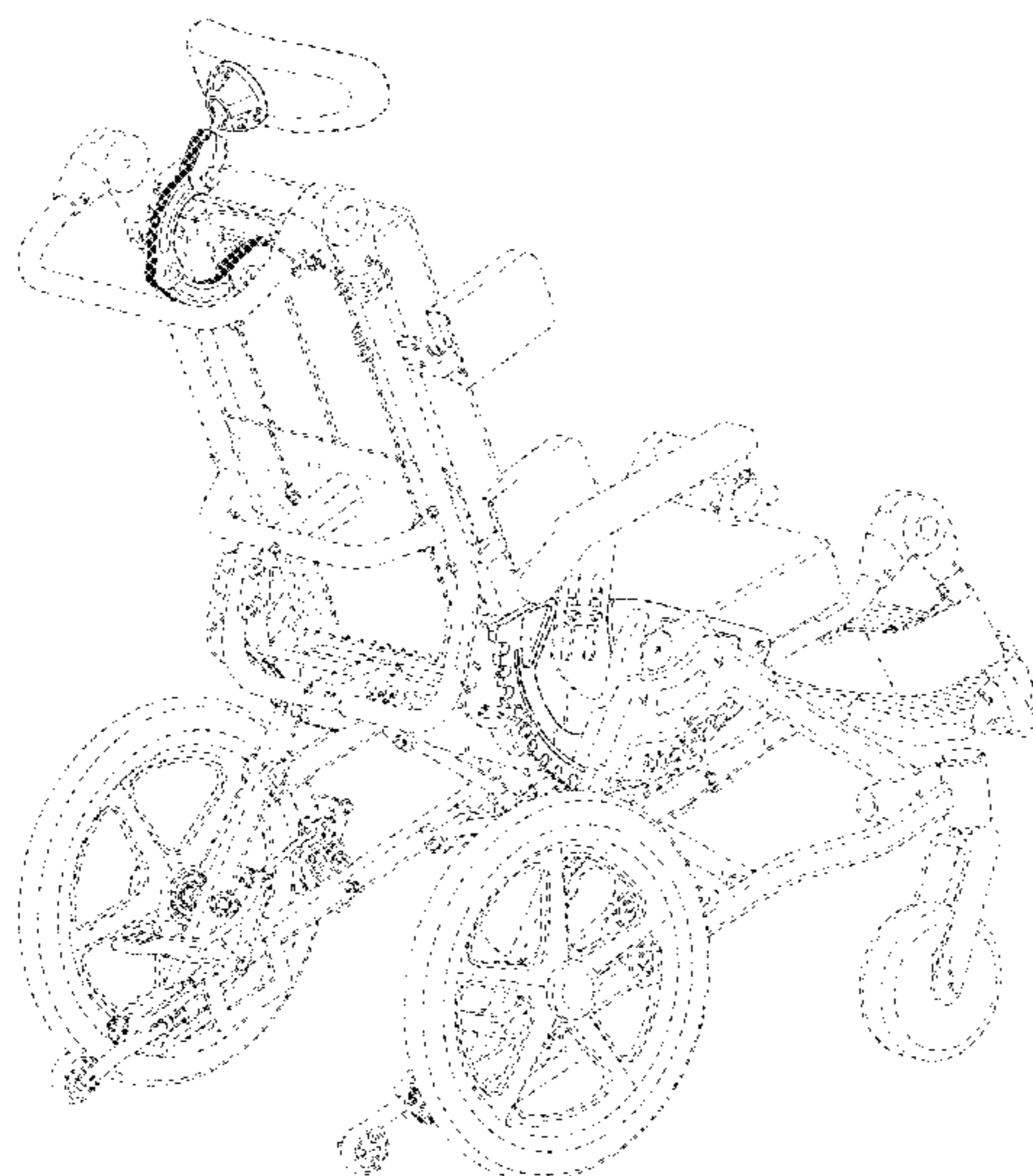
(57) **CLAIM**

We claim the ornamental design for a multifunctional mobility system seat, as shown and described.

**DESCRIPTION**

FIG. 1 is a perspective view of a multifunctional mobility system seat showing our new design; FIG. 2 is a front view thereof; FIG. 3 is a rear view thereof; FIG. 4 is a side view thereof; FIG. 5 is a side view of the opposite side of FIG. 4; FIG. 6 is a top view thereof; and, FIG. 7 is a bottom view thereof. The broken lines shown in the drawings illustrate portions of the multifunctional mobility system seat that form no part of the claimed design.

**1 Claim, 7 Drawing Sheets**



(56)

**References Cited**

U.S. PATENT DOCUMENTS

D627,270 S \* 11/2010 Kretschmer ..... D12/131  
 8,662,591 B2 \* 3/2014 Lin ..... A47C 7/38  
 297/397  
 9,380,878 B1 \* 7/2016 Chen ..... A47C 7/38  
 D801,232 S \* 10/2017 Menichini ..... D12/131  
 D801,234 S 10/2017 Elon et al.  
 D809,975 S \* 2/2018 Menichini ..... D12/131  
 D871,272 S \* 12/2019 Cheng ..... D12/131  
 10,624,803 B2 \* 4/2020 Parker ..... A61G 5/1075  
 10,874,221 B1 \* 12/2020 Lin ..... A47C 7/383  
 D911,626 S \* 2/2021 Brutler ..... D29/122  
 2003/0137119 A1 7/2003 Razon  
 2007/0085401 A1 \* 4/2007 Hunziker ..... A61G 5/12  
 297/410  
 2008/0079230 A1 4/2008 Graham  
 2010/0013276 A1 1/2010 Tholkes et al.  
 2013/0037333 A1 2/2013 Sousa  
 2015/0137548 A1 \* 5/2015 Purdue ..... A61G 5/121  
 296/65.08

2015/0283009 A1 10/2015 Borisoff et al.  
 2016/0022038 A1 \* 1/2016 Cheng ..... A61G 5/128  
 297/362.12  
 2017/0224117 A1 \* 8/2017 DuFresne ..... A61G 5/121  
 2020/0206067 A1 \* 7/2020 Hanson ..... A61H 3/008  
 2021/0093495 A1 \* 4/2021 Kelly ..... A61G 5/1075  
 2021/0220198 A1 \* 7/2021 Maiolo ..... A61G 5/1075

OTHER PUBLICATIONS

(Feb. 28, 2019). "Participant's First Product Debut Demo in Mexico"  
 retrieved from web page <https://www.youtube.com/watch?v=wwFf79elub8&feature=youtu.be>, on Jul. 11, 2021, 3 pages.  
 International Search Report and Written Opinion dated May 5,  
 2020, directed to International Application No. PCT/US19/68770;  
 14 pages.  
 Invitation to Pay Additional Fees dated Mar. 3, 2020, directed to  
 International Application No. PCT/US19/68770; 2 pages.

\* cited by examiner

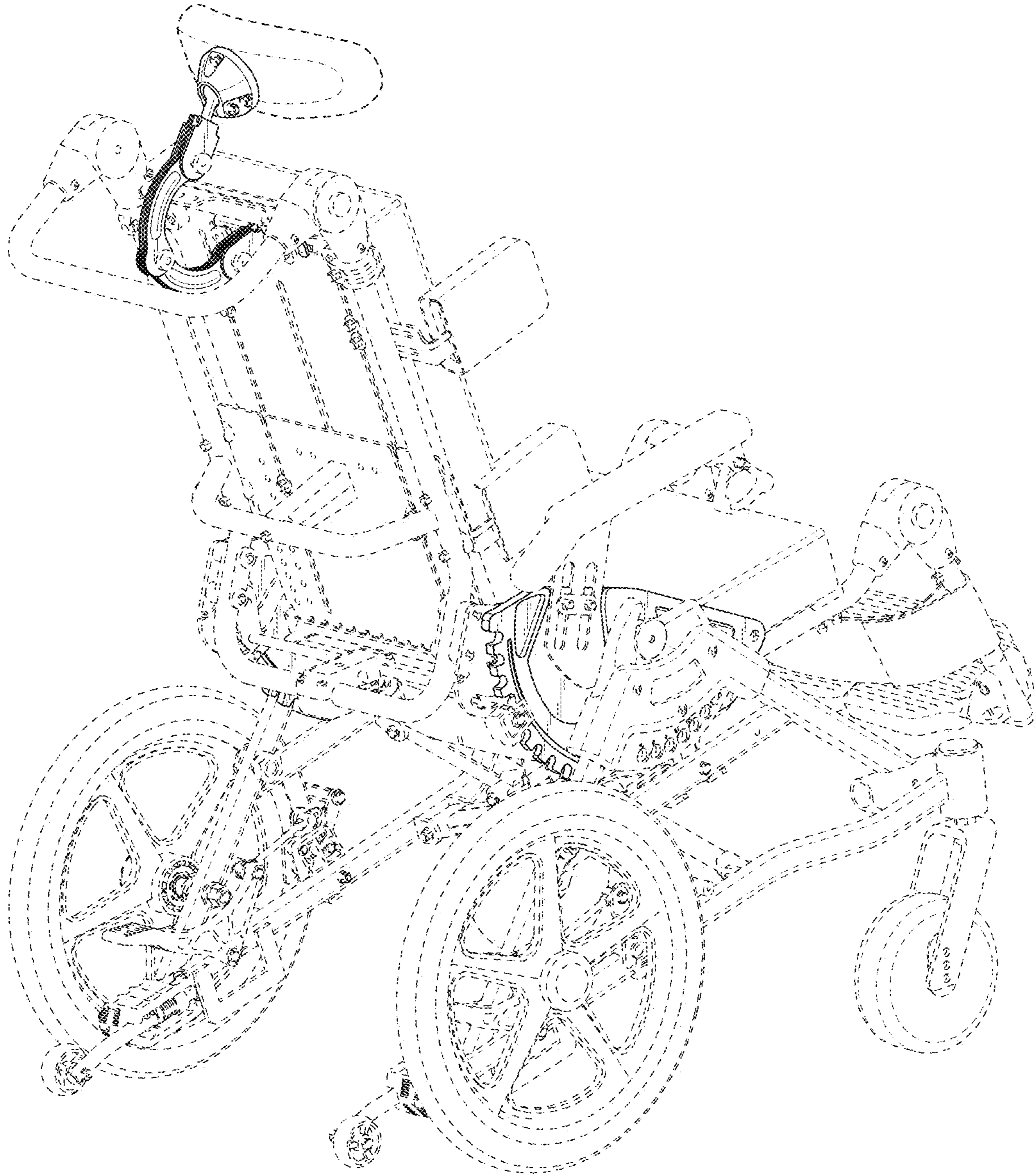


FIG. 1

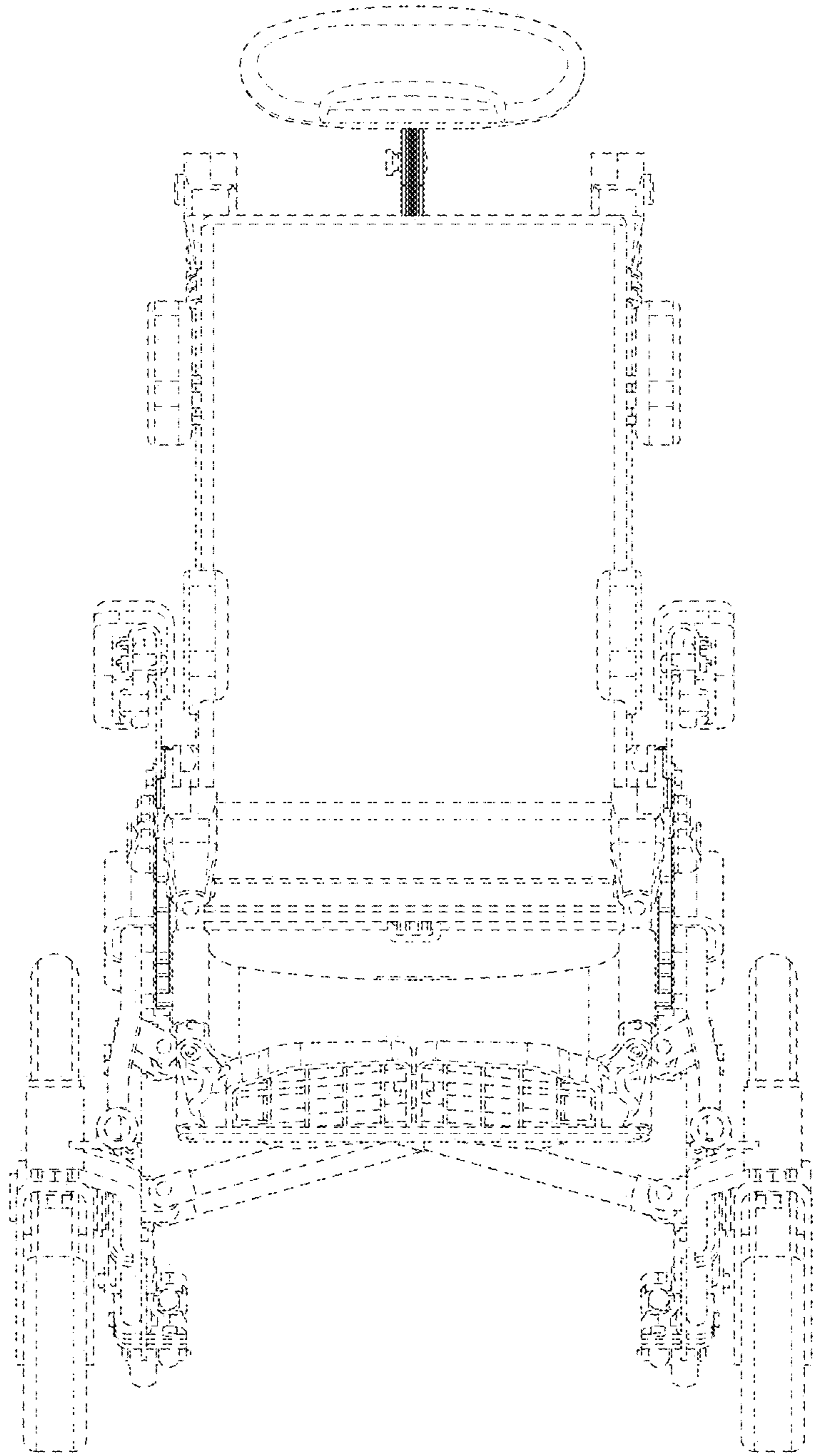


FIG. 2

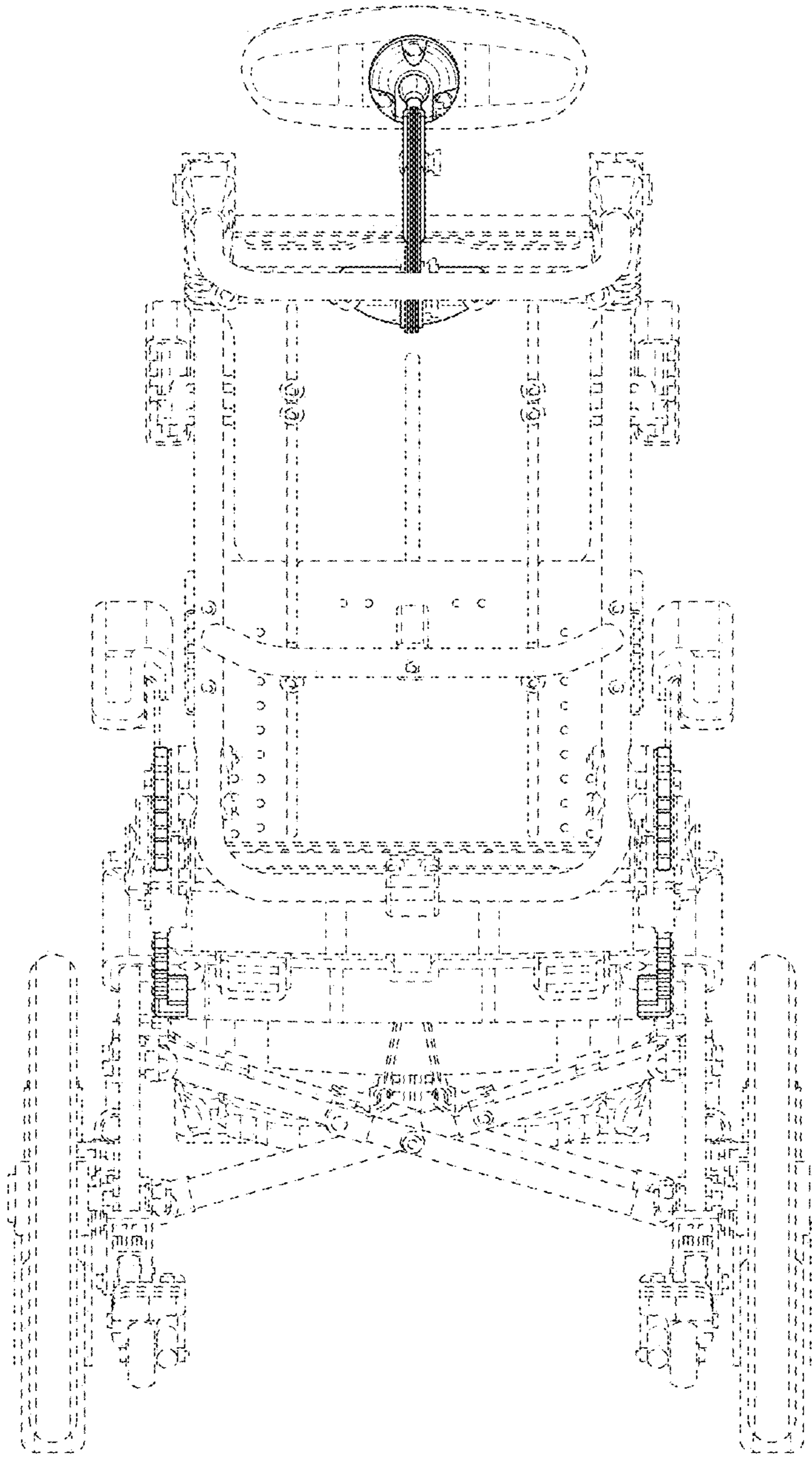


FIG. 3

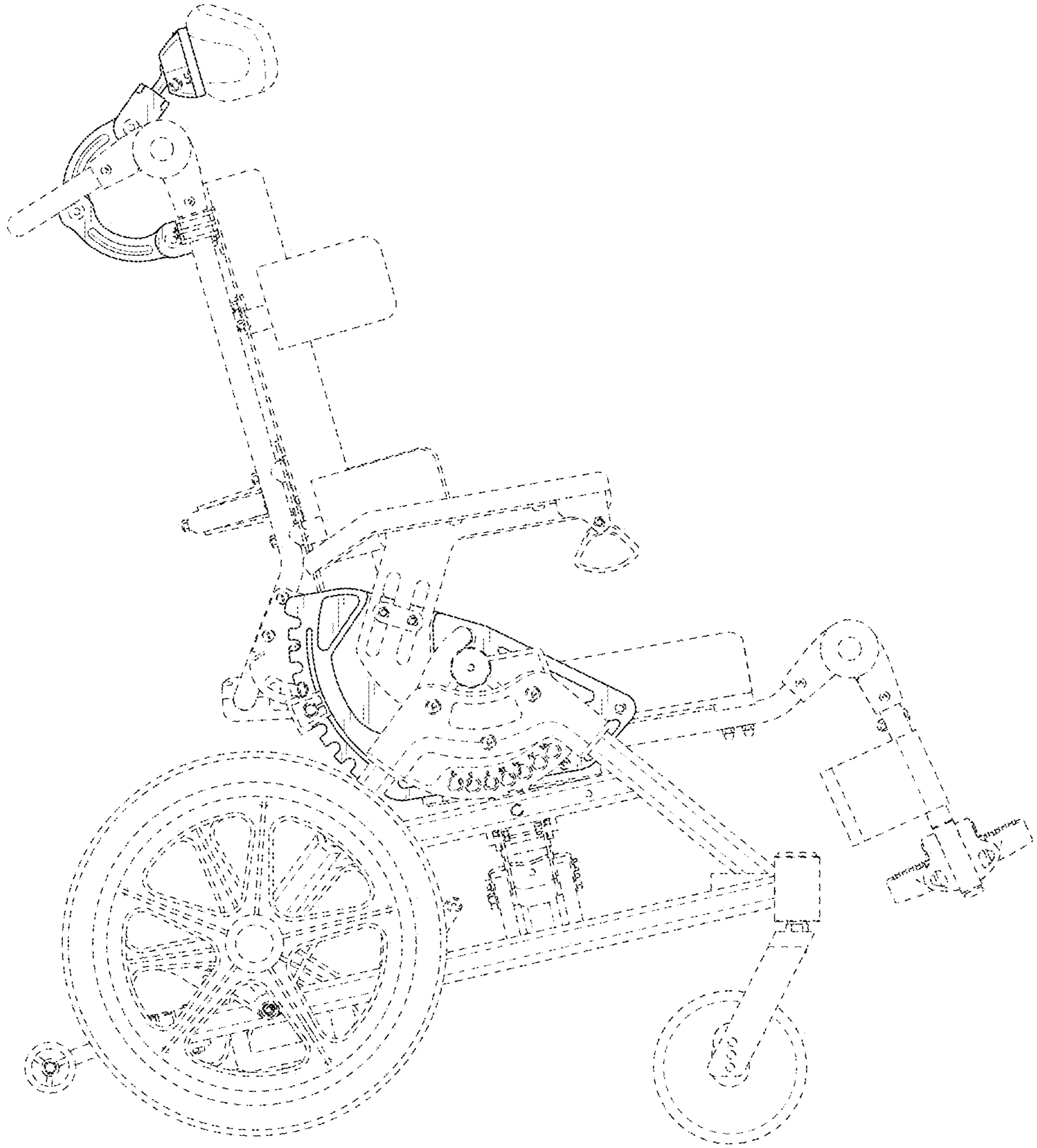


FIG. 4

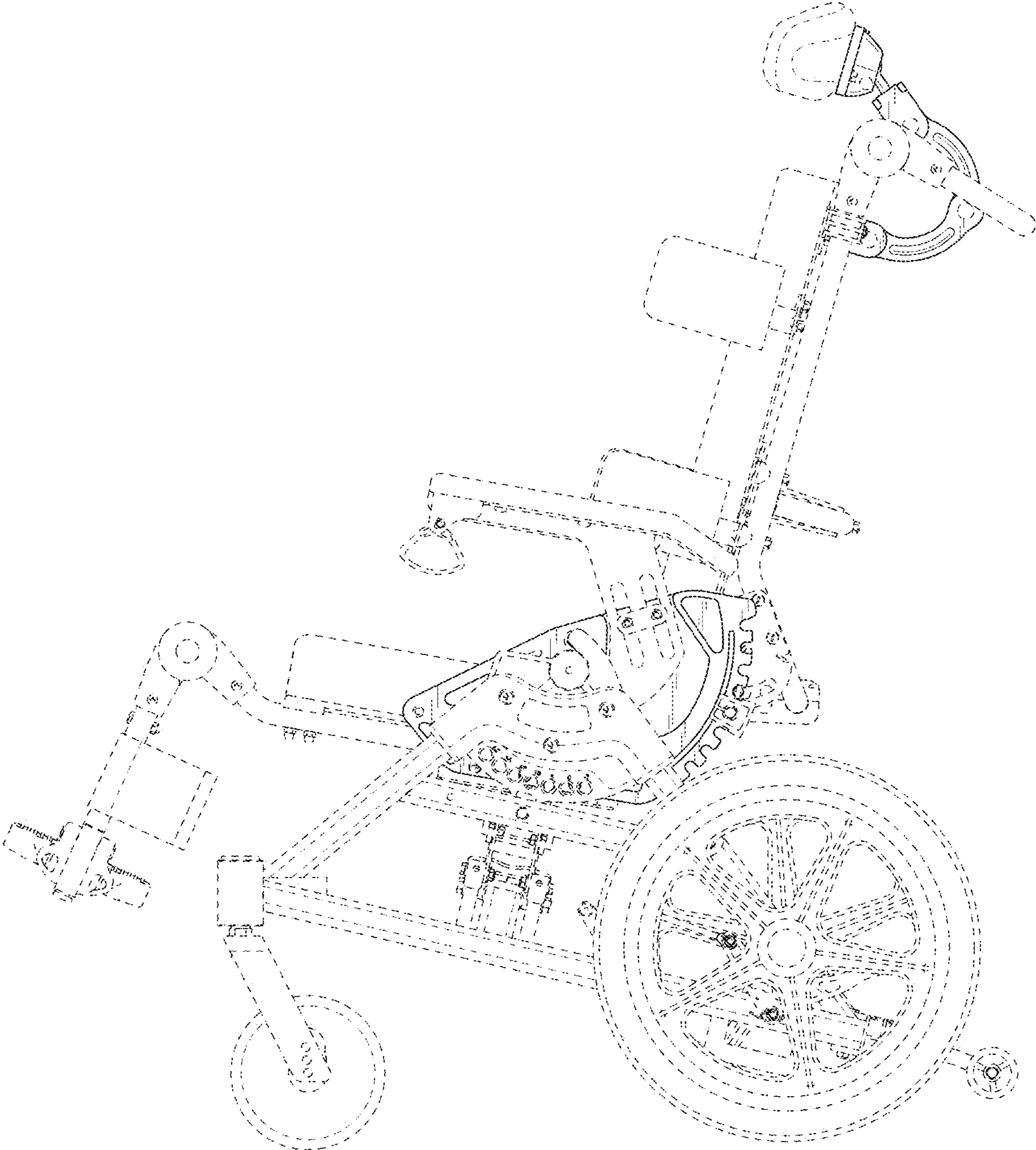


FIG. 5

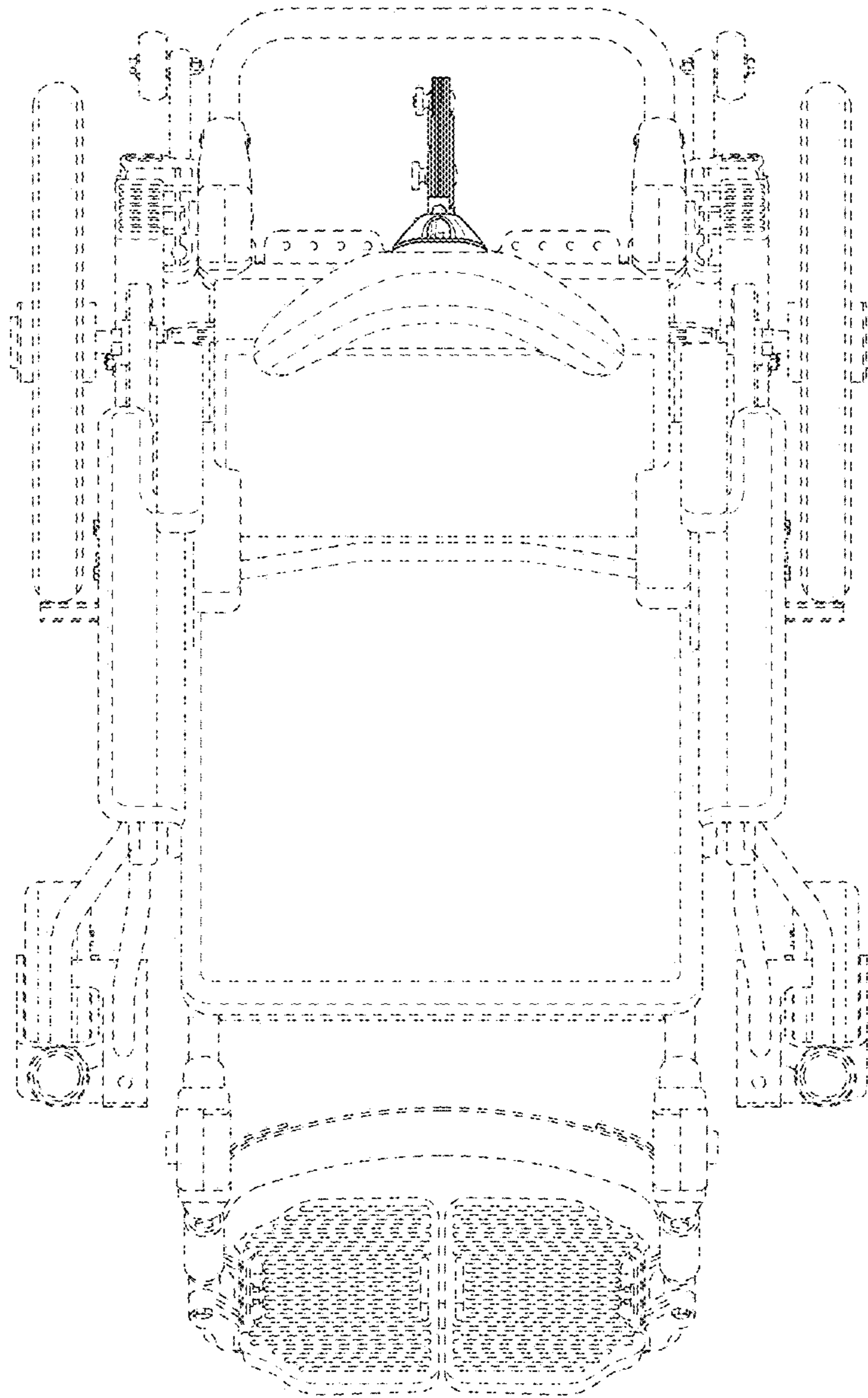


FIG. 6



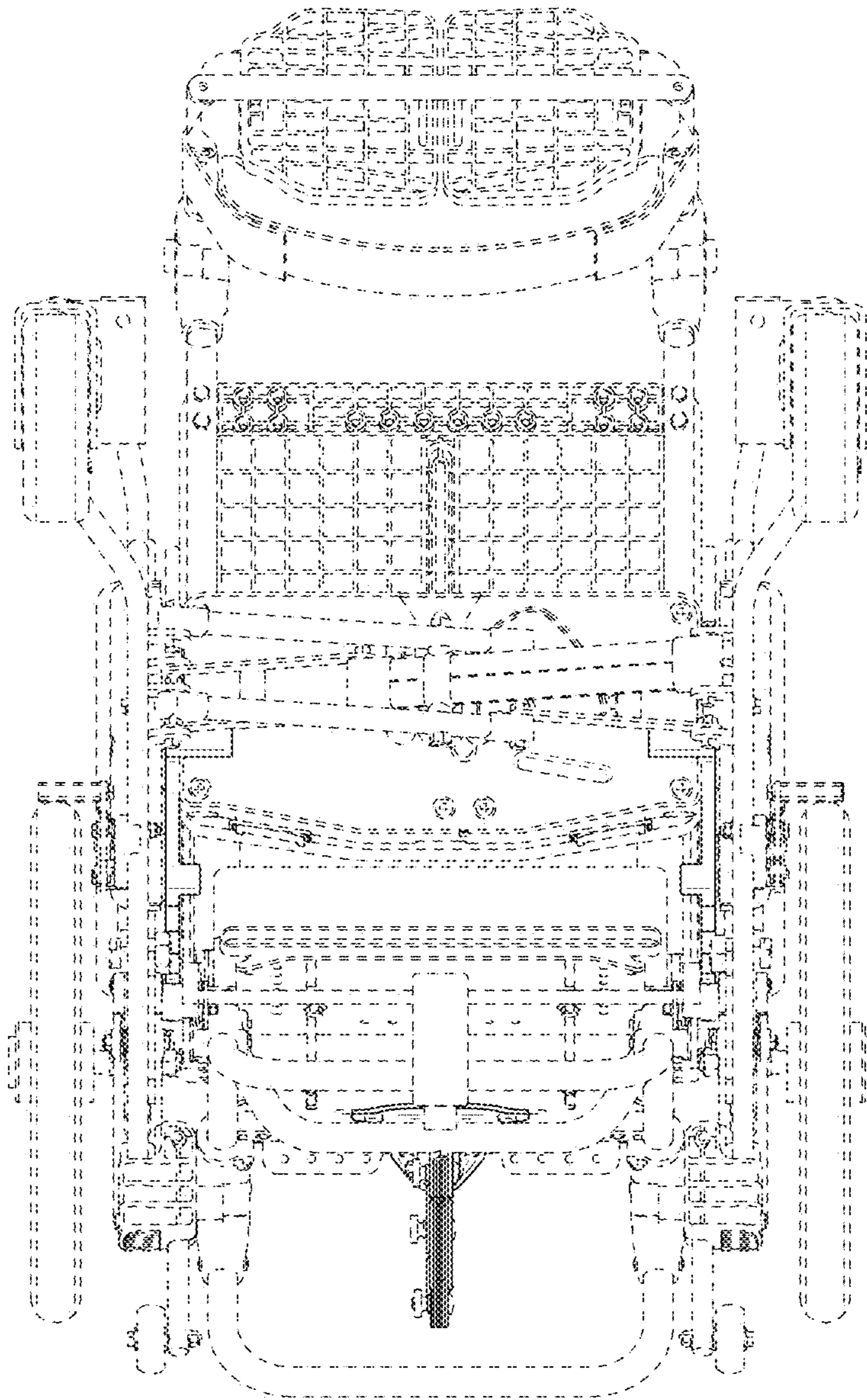


FIG. 7