

US00D961463S

(12) **United States Design Patent**
Boucher et al.

(10) **Patent No.:** **US D961,463 S**
(45) **Date of Patent:** **** Aug. 23, 2022**

(54) **CONVERTIBLE MOBILE DEVICE**

7,669,881 B2 * 3/2010 Haury A61G 5/0816
280/649

(71) Applicant: **Triumph Mobility Inc.**, Ottawa (CA)

8,584,689 B2 * 11/2013 Catton A61H 3/04
135/67

(72) Inventors: **Luc Boucher**, Ottawa (CA); **John Charles Tutton**, Ottawa (CA); **Robert D. Watters**, Ottawa (CA); **Torrin Mullins**, Ottawa (CA)

8,678,425 B2 * 3/2014 Schaaper A61H 3/04
280/648

(Continued)

(73) Assignee: **TRIUMPH MOBILITY INC.**

Primary Examiner — Darlington Ly

(74) *Attorney, Agent, or Firm* — Katten Muchin Rosenman LLP

(**) Term: **15 Years**

(57) **CLAIM**

(21) Appl. No.: **35/510,606**

The ornamental design for a convertible mobile device, as shown and described.

(22) Filed: **Apr. 22, 2020**

(80) **Hague Agreement Data**

DESCRIPTION

Int. Filing Date: **Apr. 22, 2020**

Int. Reg. No.: **DM/209856**

Int. Reg. Date: **Apr. 22, 2020**

Int. Reg. Pub. Date: **Oct. 23, 2020**

1. Convertible mobile device

1.1 is a front and right side perspective view of a convertible mobile device embodying our new design in a rollator configuration;

1.2 is a right side elevation view thereof;

1.3 is a left side elevation view thereof;

1.4 is a rear elevation view thereof;

1.5 is a front elevation view thereof;

1.6 is a top plan view thereof;

1.7 is a front and right side perspective view thereof in a transport chair configuration;

1.8 is a right side elevation view thereof in a transport chair configuration;

1.9 is a left side elevation view thereof in a transport chair configuration;

1.10 is a rear elevation view thereof in a transport chair configuration;

1.11 is a front elevation view thereof in a transport chair configuration; and

1.12 is a top plan view thereof in a transport chair configuration.

The broken lines in the drawings illustrate portions of the convertible mobile device that form no part of the claimed design.

(30) **Foreign Application Priority Data**

Oct. 23, 2019 (CA) CA 190750

(51) **LOC (13) Cl.** **12-12**

(52) **U.S. Cl.**
USPC **D12/130**

(58) **Field of Classification Search**

USPC D12/128–133

CPC A61H 3/04; A61H 1/00; A47C 4/04

See application file for complete search history.

(56) **References Cited**

U.S. PATENT DOCUMENTS

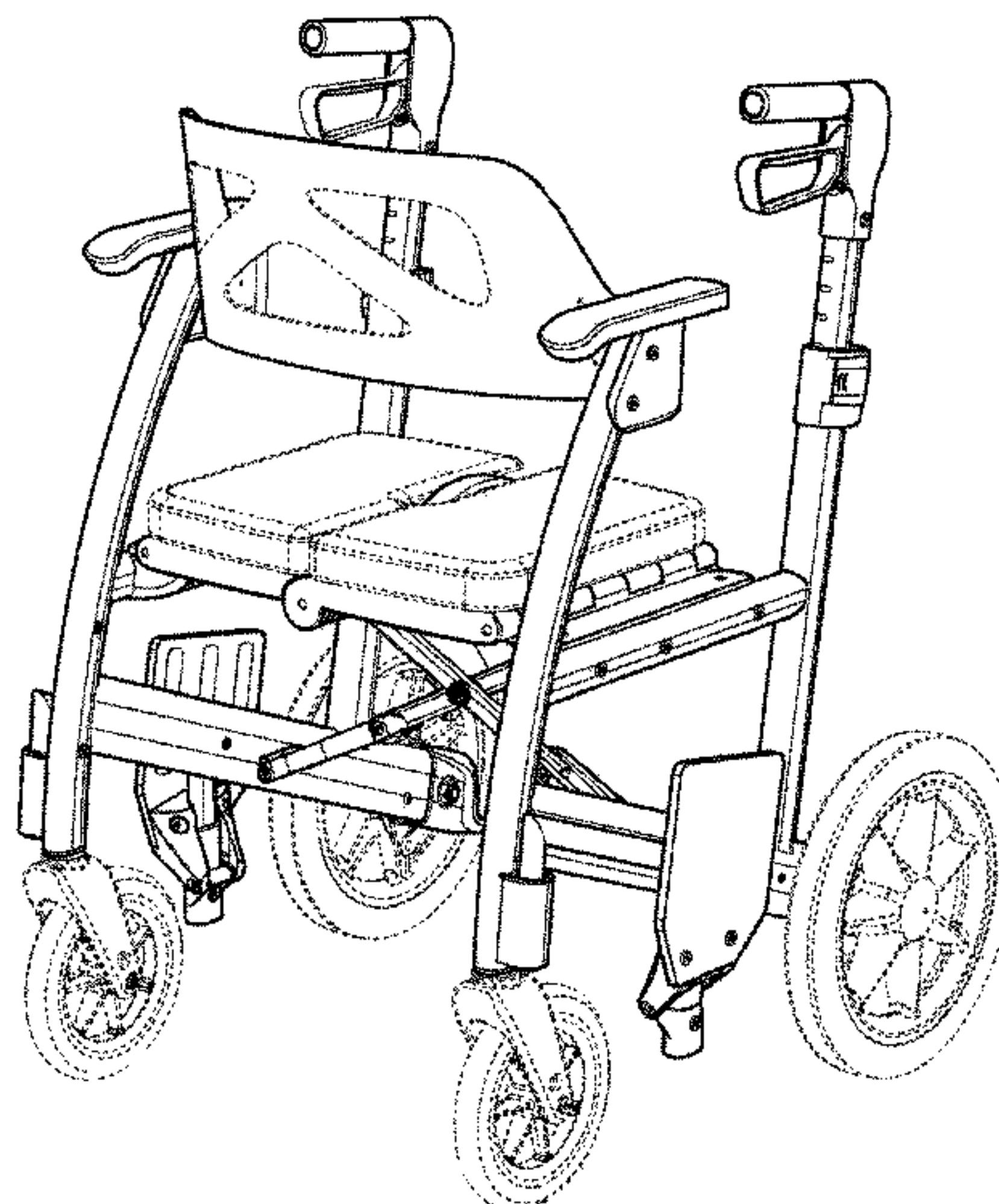
D473,826 S * 4/2003 Schlangen D12/131

6,659,478 B2 * 12/2003 Hallgrimsson A61G 5/08
135/74

6,793,232 B1 * 9/2004 Wing A61G 5/006
280/304.1

7,559,560 B2 * 7/2009 Li A61H 3/04
16/35 R

1 Claim, 12 Drawing Sheets



(56)

References Cited

U.S. PATENT DOCUMENTS

8,814,182	B1 *	8/2014	Kirby	A61H 3/04 280/47.35
8,840,124	B2 *	9/2014	Serhan	B60T 7/14 280/87.021
8,840,125	B2 *	9/2014	Huang	A61H 3/04 280/87.041
8,998,222	B2 *	4/2015	Huang	A61H 3/04 280/47.4
8,998,223	B2 *	4/2015	Chang	B60T 7/08 280/87.021
D736,121	S *	8/2015	Wang	D12/130
D739,314	S *	9/2015	Wang	D12/130
D742,285	S *	11/2015	Cooper	D12/131
9,226,868	B2 *	1/2016	Andersen	A61H 3/04
D754,034	S *	4/2016	Wang	D12/130
D754,568	S *	4/2016	Wang	D12/130
9,849,057	B1 *	12/2017	Janeczek	B60T 7/08
D807,793	S *	1/2018	Paterson	D12/130
10,172,751	B1 *	1/2019	Balmer	A61G 5/0833
D840,877	S *	2/2019	Michelena	D12/130
D857,561	S *	8/2019	Berman	D12/130
10,485,725	B2 *	11/2019	Brockway	A61H 1/00
D897,243	S *	9/2020	Tsai	D12/130
D897,244	S *	9/2020	Tangen	D12/130
D908,550	S *	1/2021	Berman	D12/130
11,007,108	B2 *	5/2021	FitzPatrick	A61H 3/04

* cited by examiner

Figure 1.1

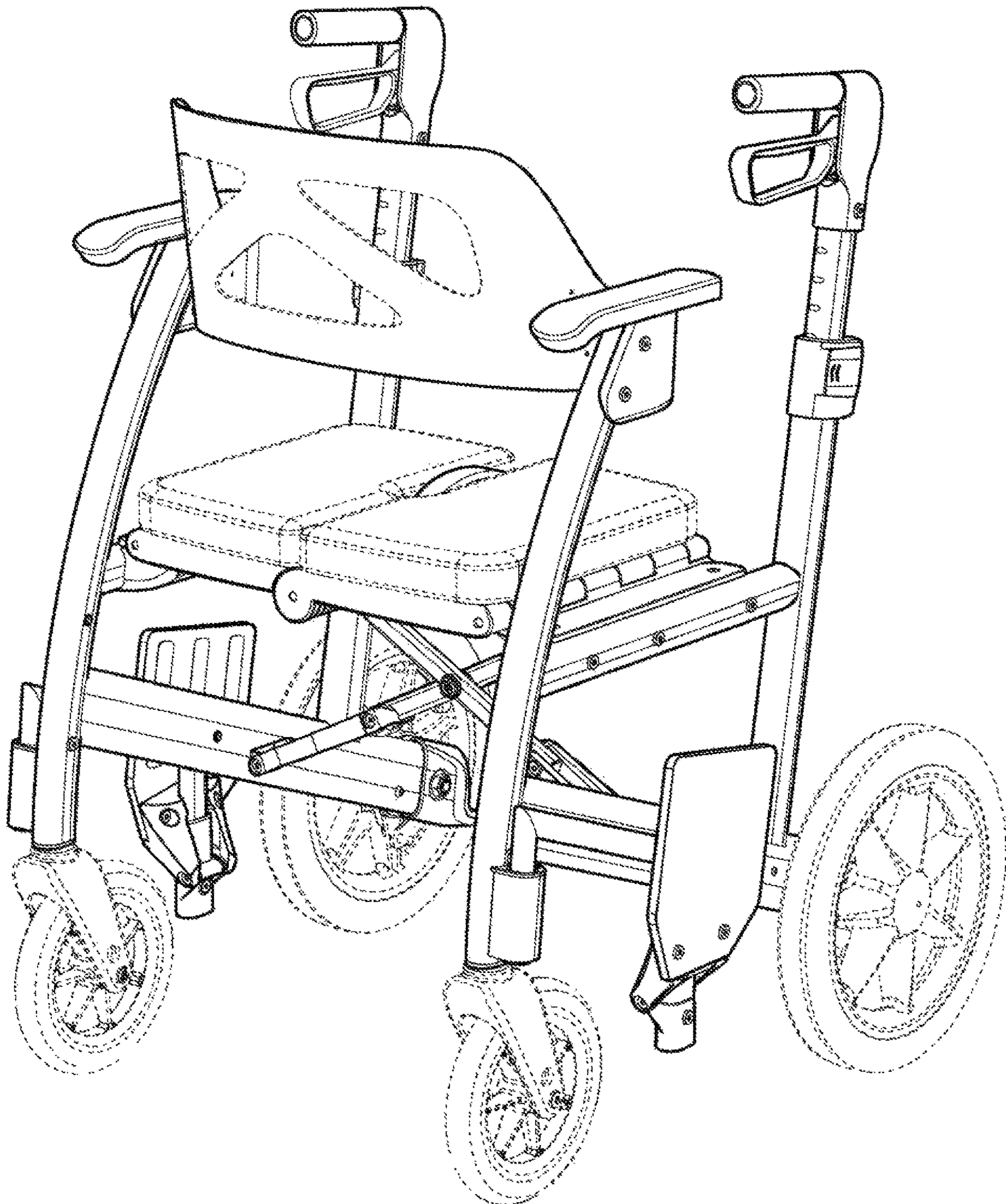


Figure 1.2

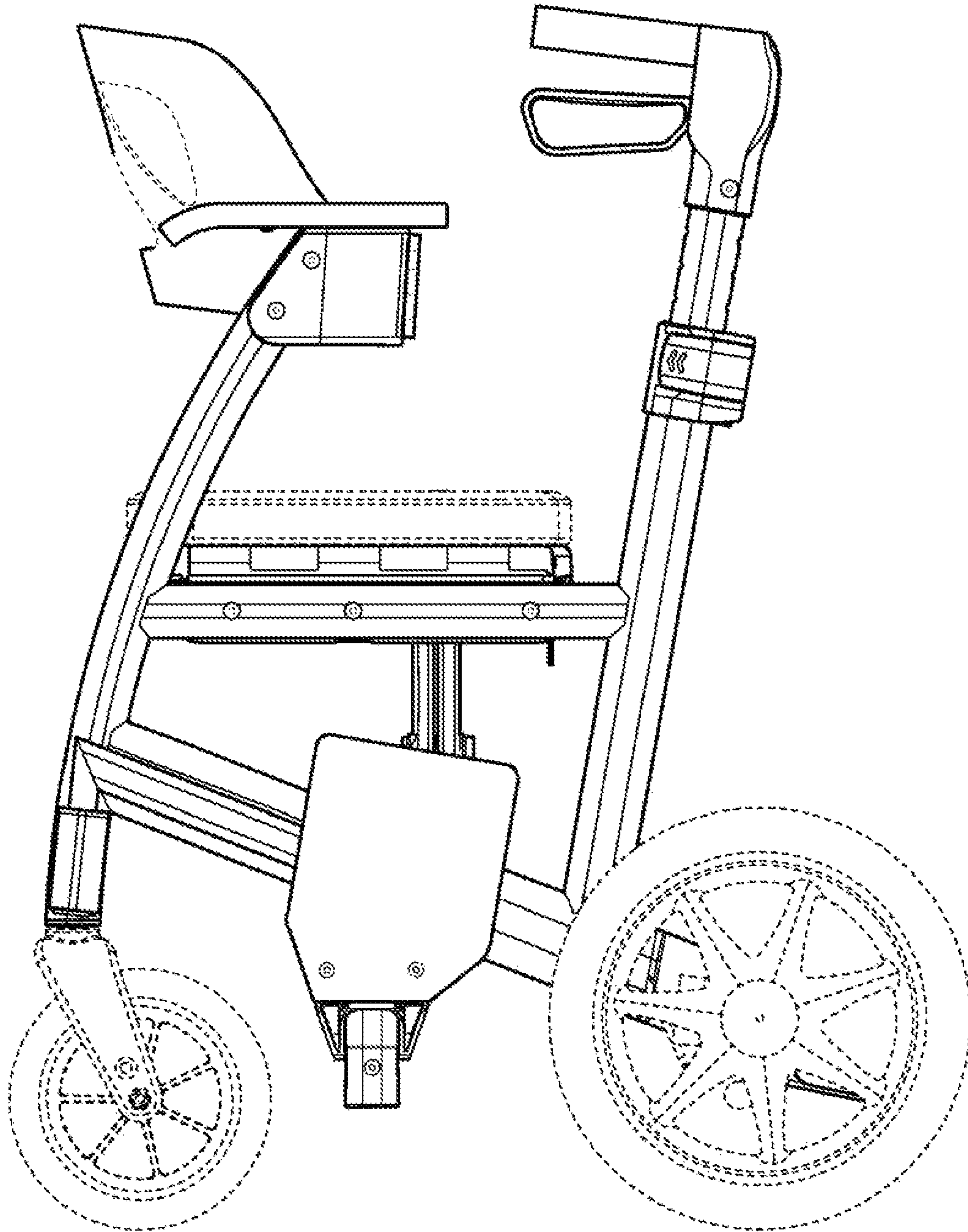


Figure 1.3

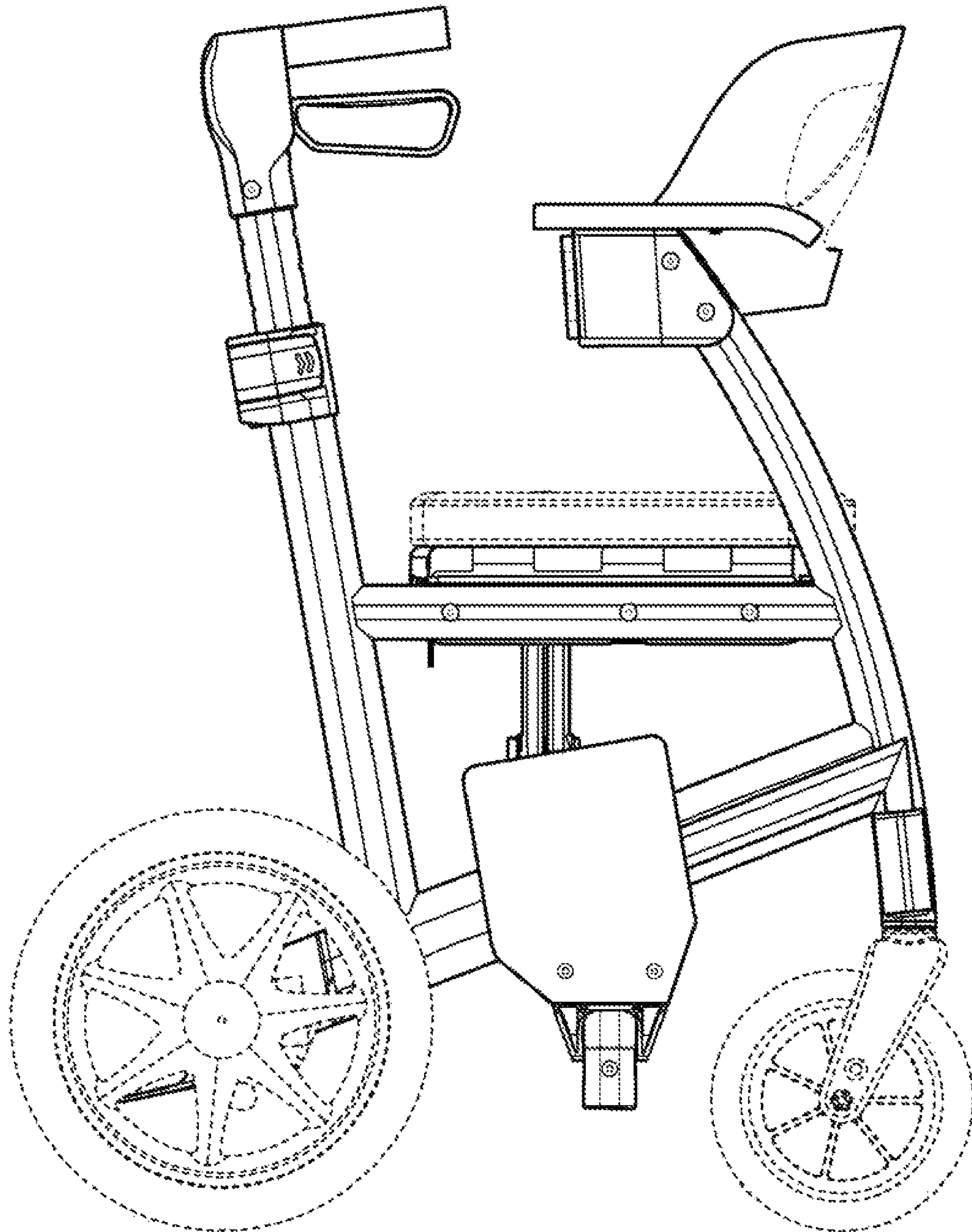


Figure 1.4

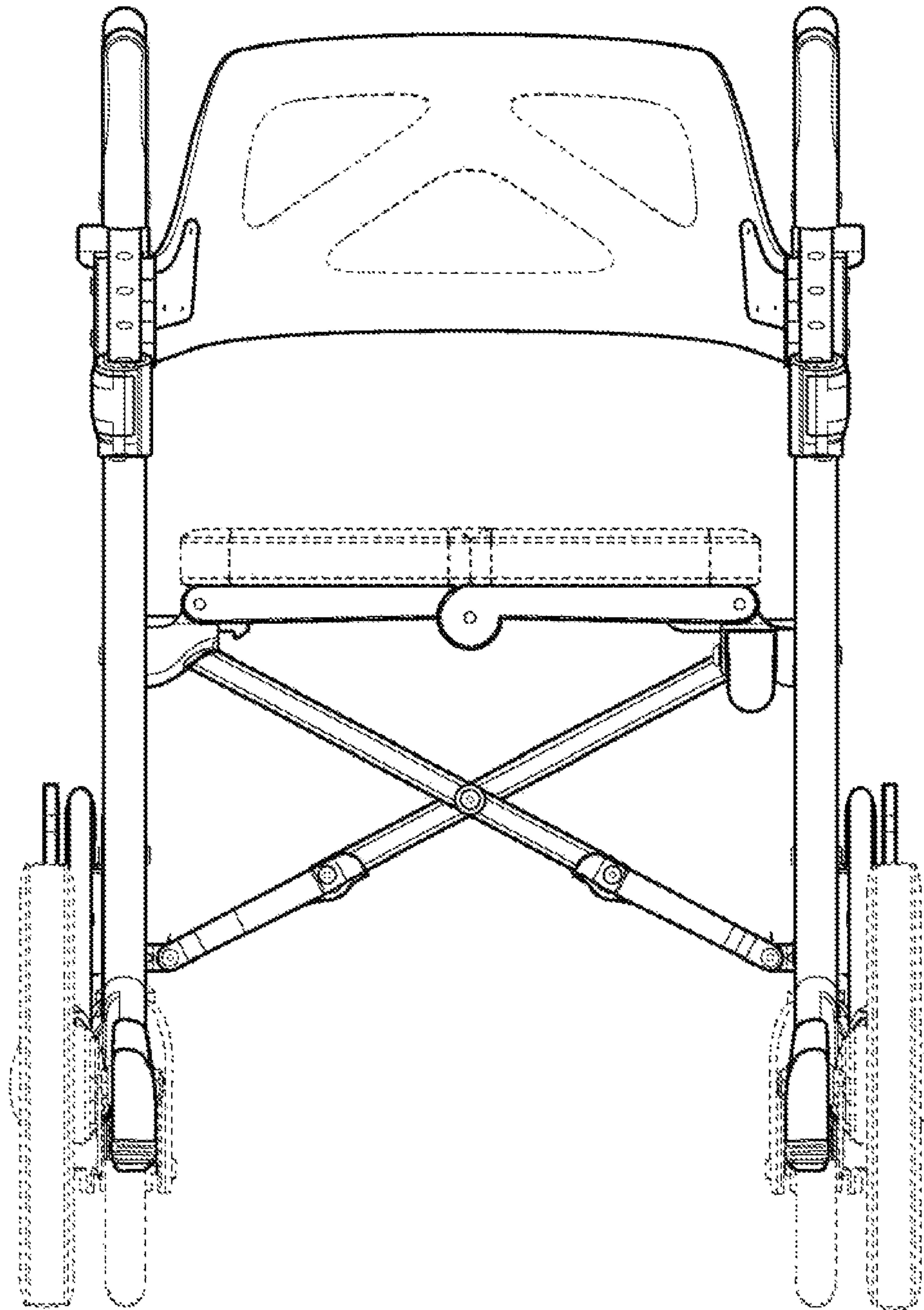


Figure 1.5

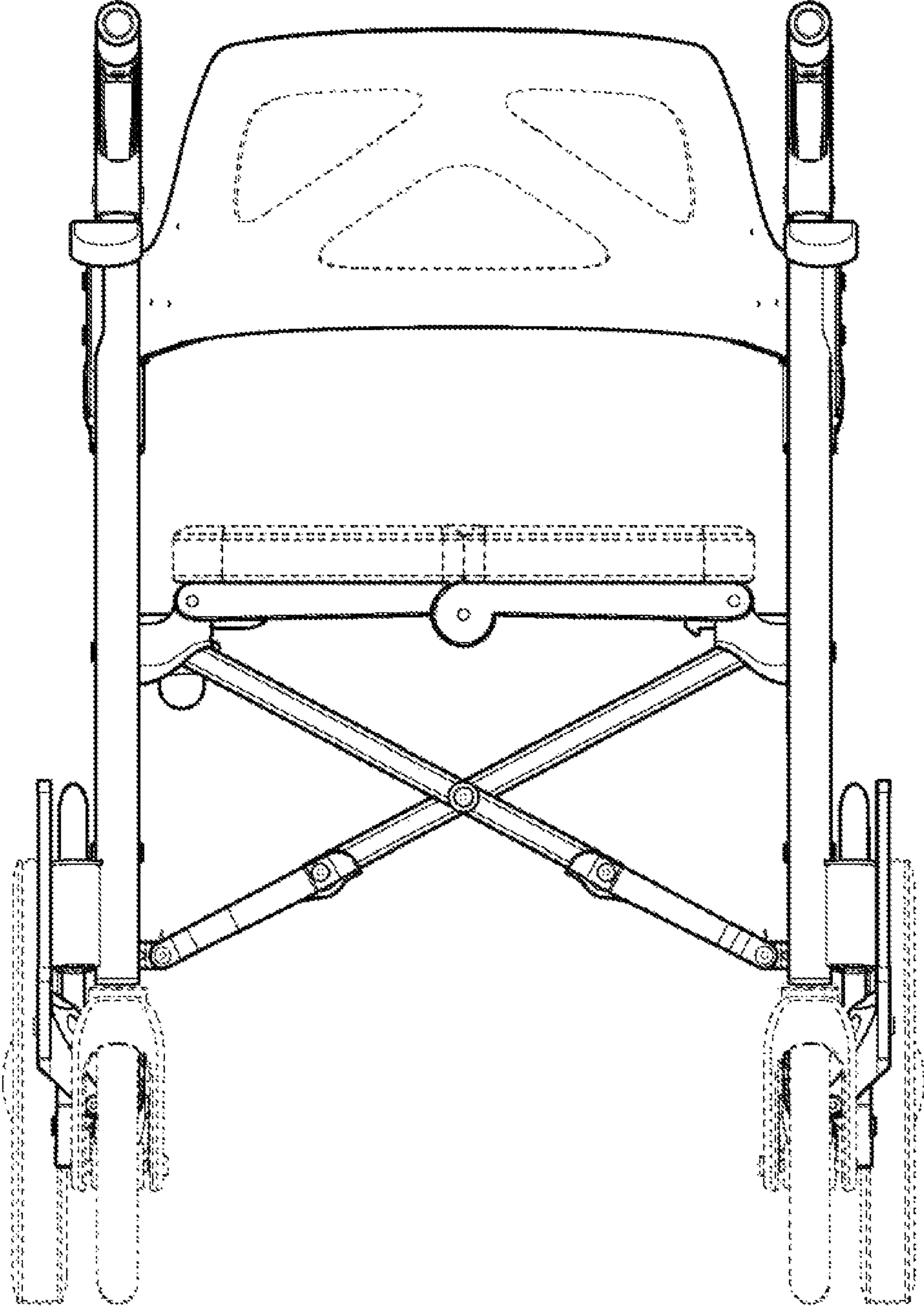


Figure 1.6

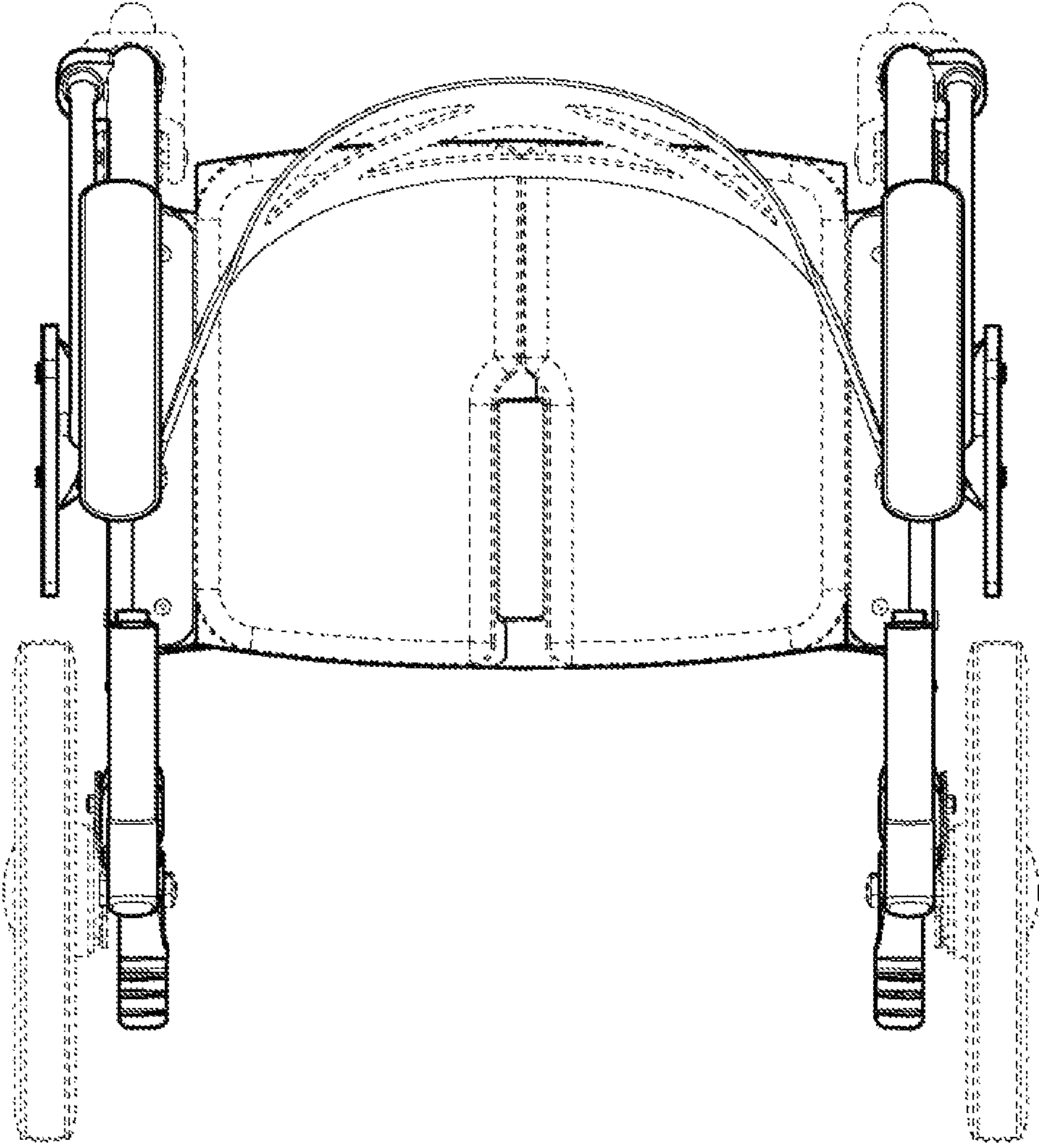


Figure 1.7

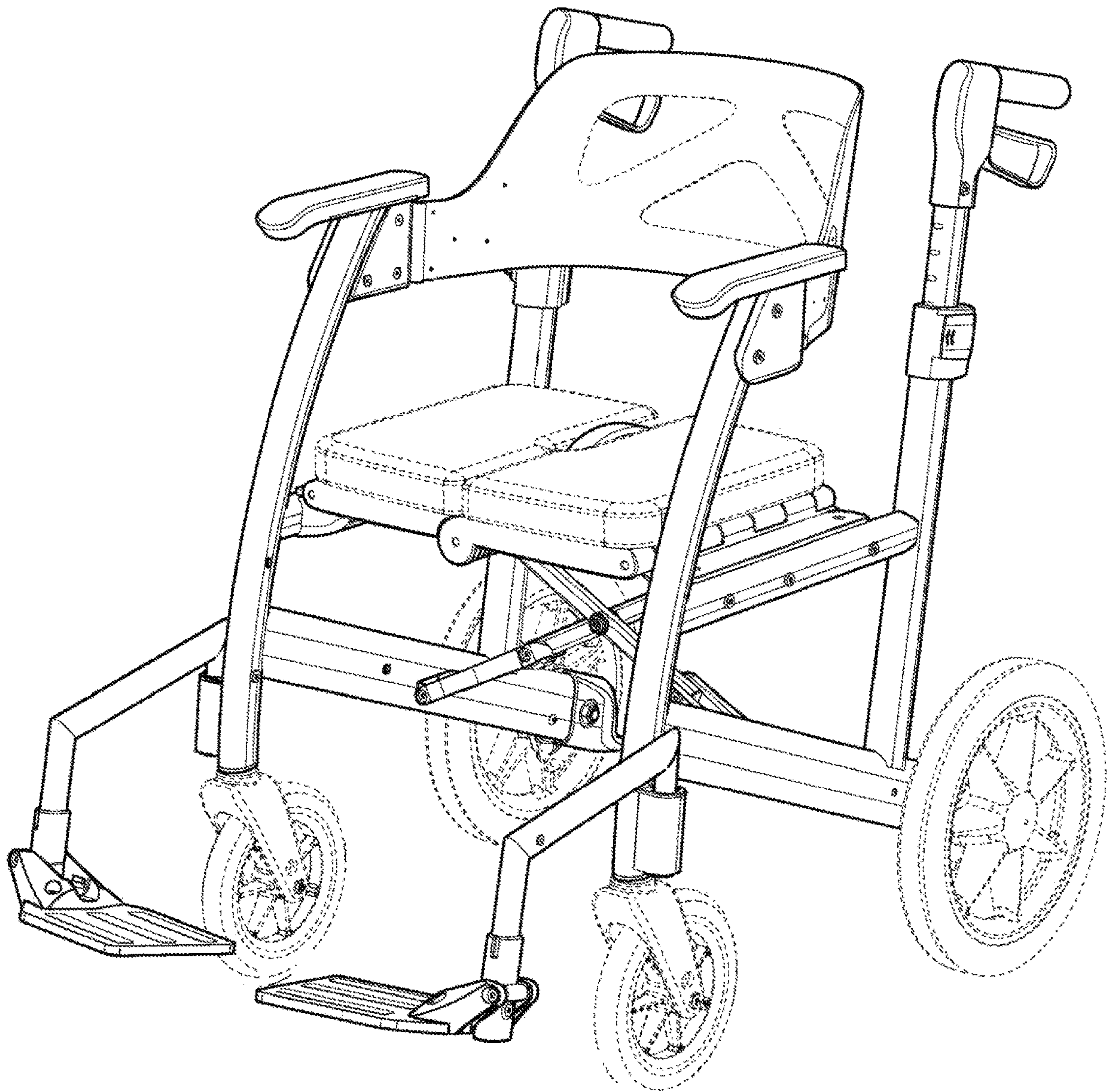


Figure 1.8

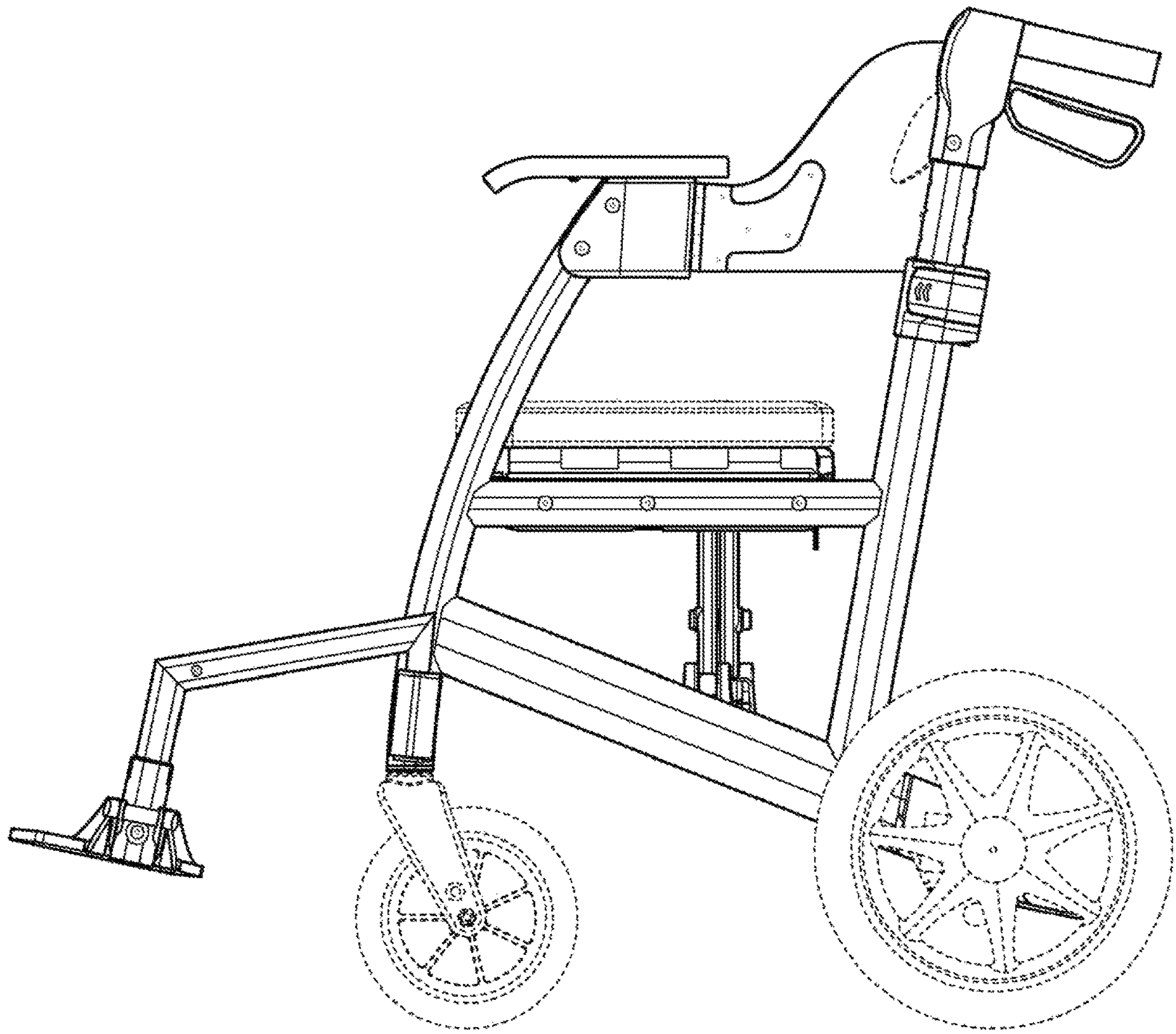


Figure 1.9

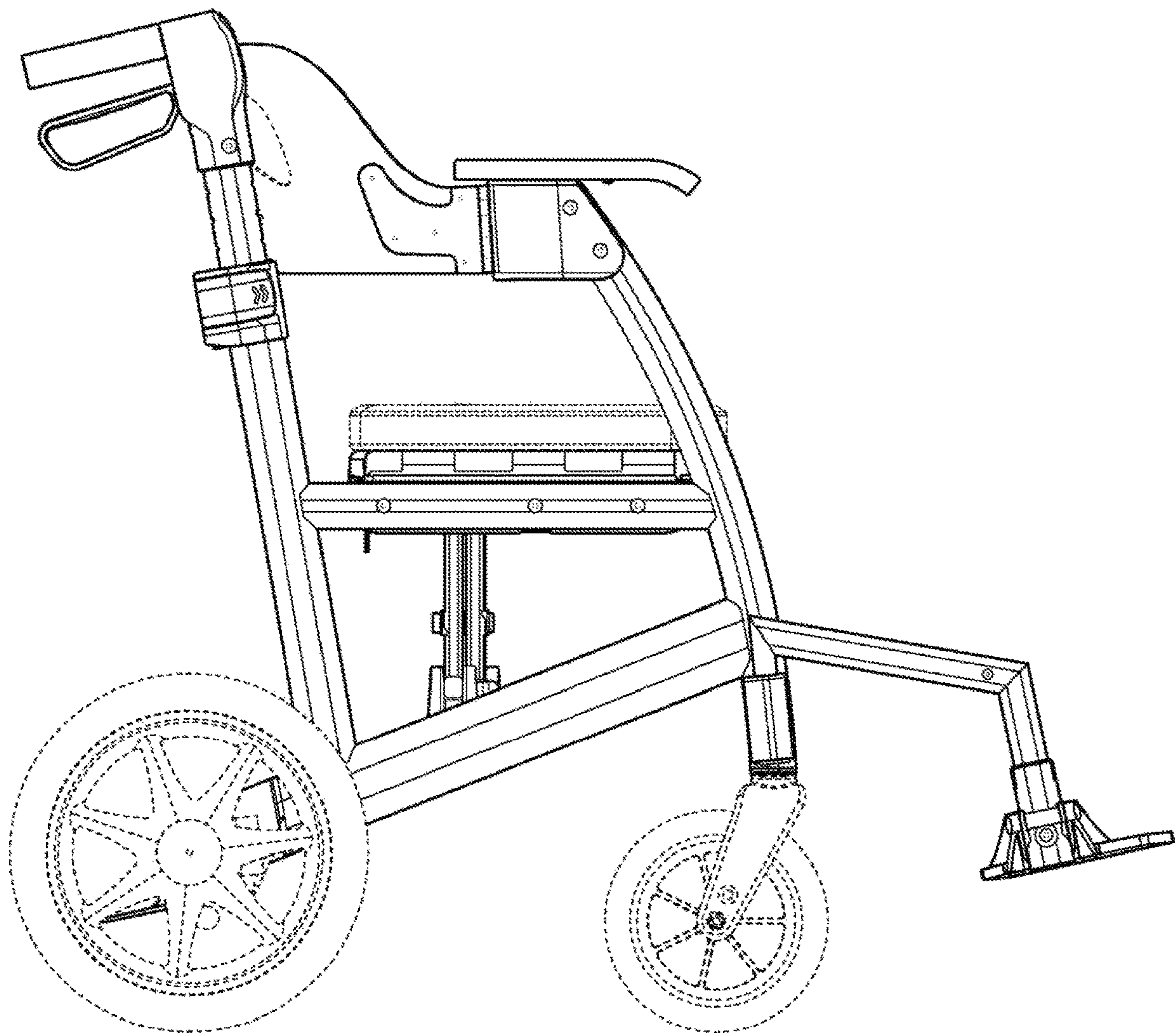


Figure 1.10

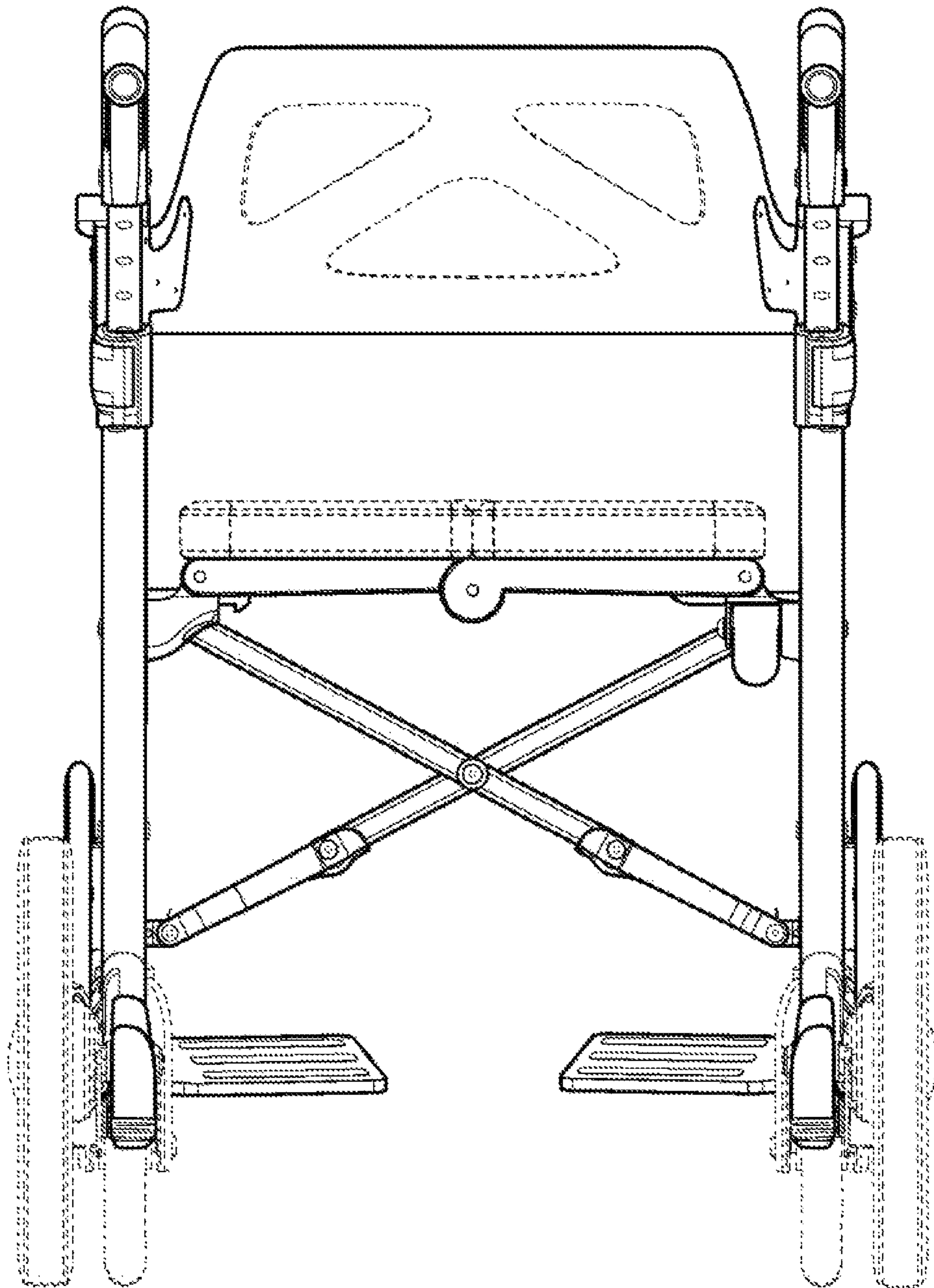


Figure 1.11

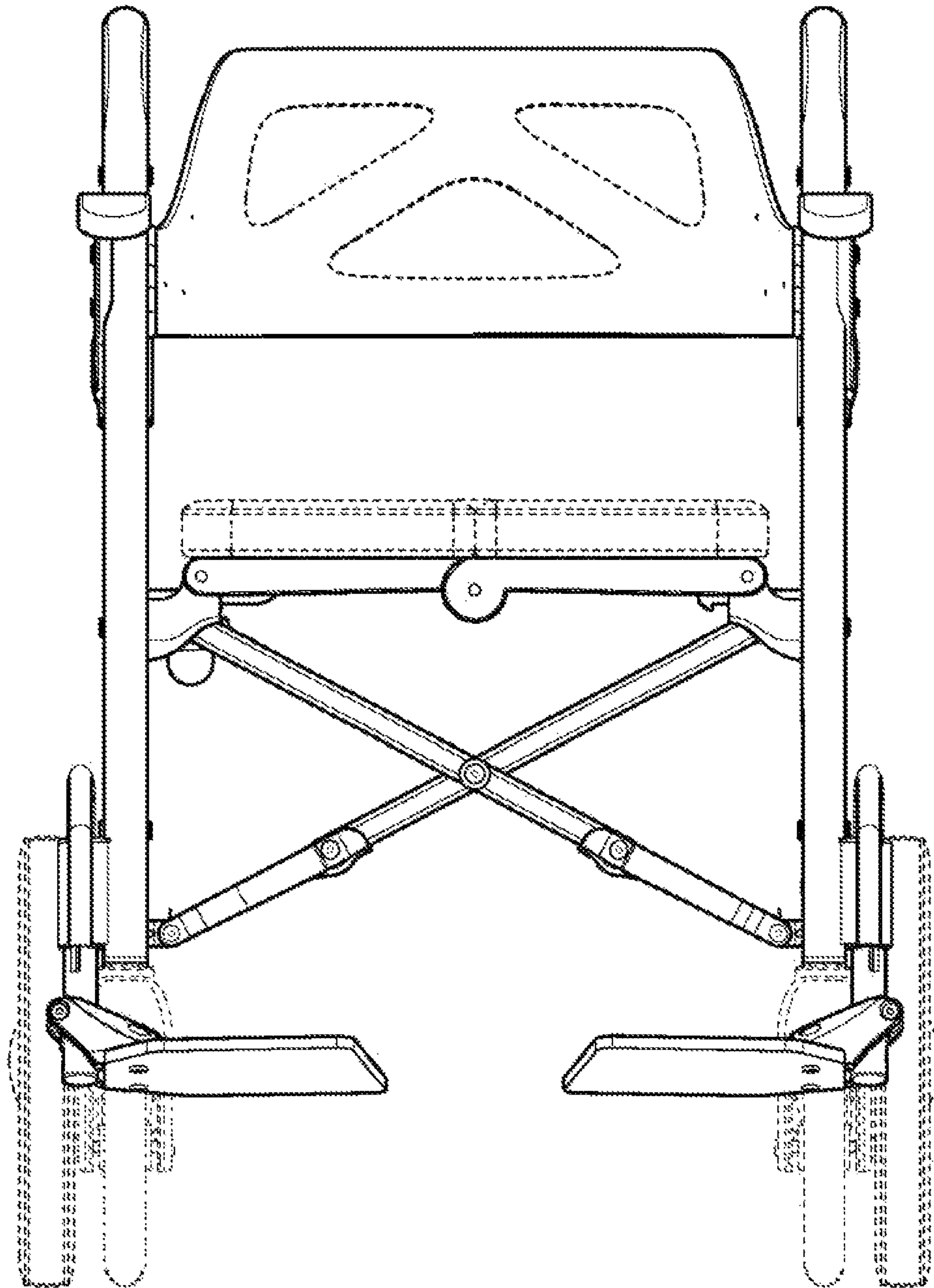


Figure 1.12

