



US00D961458S

(12) **United States Design Patent** (10) **Patent No.:** **US D961,458 S**
Xie (45) **Date of Patent:** **** Aug. 23, 2022**

(54) **ELECTRIC SCOOTER**
(71) Applicant: **SUPERSOCO INTELLIGENT TECHNOLOGY (SHANGHAI) CO., LTD.**, Shanghai (CN)
(72) Inventor: **Yuxian Xie**, Shanghai (CN)
(73) Assignee: **SUPERSOCO INTELLIGENT TECHNOLOGY (SHANGHAI) CO., LTD.**, Shanghai (CN)

D612,770 S * 3/2010 Chen D12/110
D622,637 S * 8/2010 Schneider D12/110
D642,497 S * 8/2011 Lin D12/110
D657,722 S * 4/2012 Lambri D12/110
D664,898 S * 8/2012 Van Hooydonk D12/110
D673,882 S * 1/2013 Tartarini D12/110
D680,911 S * 4/2013 Wu D12/110
D761,699 S * 7/2016 Watanabe D12/110
D806,610 S * 1/2018 Su D12/110
D869,994 S * 12/2019 Kataoka D12/110

(Continued)

(**) Term: **15 Years**

(21) Appl. No.: **29/762,363**

(22) Filed: **Dec. 16, 2020**

(30) **Foreign Application Priority Data**

Dec. 9, 2020 (EM) 008313092

(51) **LOC (13) Cl.** **12-11**

(52) **U.S. Cl.**
USPC **D12/110**

(58) **Field of Classification Search**
USPC D12/110, 111, 117; D21/432, 538
CPC B62K 11/00; B62K 11/02; B62K 11/04;
B62K 11/10; B62K 17/00; B62K 19/00;
B62K 2202/00

See application file for complete search history.

(56) **References Cited**

U.S. PATENT DOCUMENTS

4,715,465 A * 12/1987 Takahashi B62J 17/10
180/219
4,800,980 A * 1/1989 Hideo B62M 7/08
296/37.16
4,964,483 A * 10/1990 Yokoyama B62J 35/00
280/833
D537,386 S * 2/2007 Mizuta D12/110
D586,700 S * 2/2009 Chiu D12/110
D602,813 S * 10/2009 Chao D12/110

OTHER PUBLICATIONS

Micah Tool. "Super Soco CPx 55 MPH electric maxiscooter coming to North America." *electrek.*, Aug. 18, 2021 [online], [retrieved on Apr. 7, 2022]. Retrieved from the Internet <URL: <https://thekoreancarblog.com/2021/11/30/genesis-to-launch-gv90-full-electric-suv-in-2023/>>.*

(Continued)

Primary Examiner — Darlington Ly

(74) *Attorney, Agent, or Firm* — McClure, Qualey & Rodack, LLP

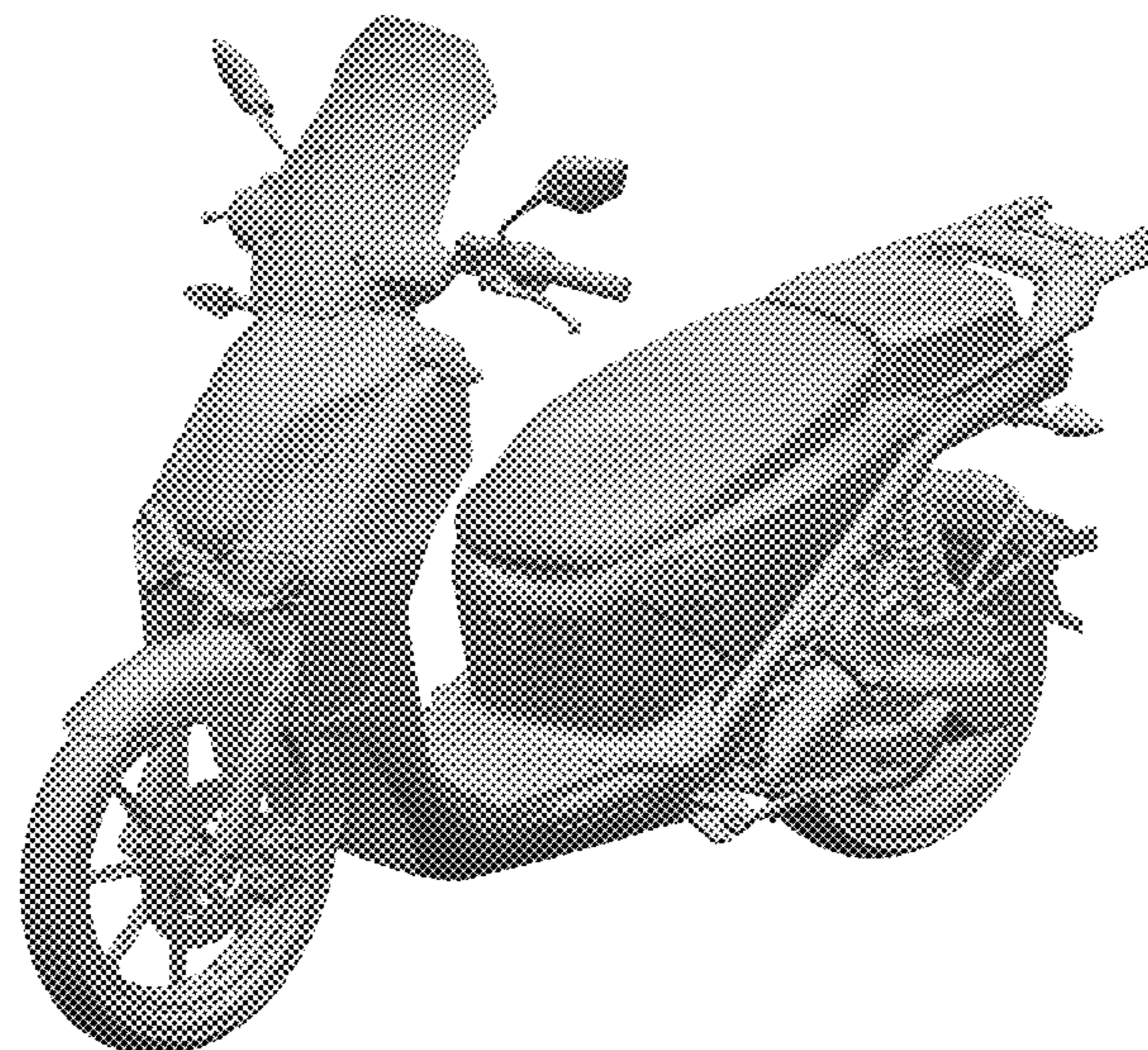
(57) **CLAIM**

The ornamental design for an electric scooter, as shown and described.

DESCRIPTION

FIG. 1 is a front and left side perspective view of an electric scooter embodying my new design;
FIG. 2 is a front and right side perspective view thereof;
FIG. 3 is a rear and left side perspective view thereof;
FIG. 4 is a rear and right side perspective view thereof;
FIG. 5 is a left side elevation view thereof;
FIG. 6 is a right side elevation view thereof;
FIG. 7 is a front elevation view thereof;
FIG. 8 is a rear elevation view thereof;
FIG. 9 is a top plan view thereof; and,
FIG. 10 is a bottom plan view thereof.

1 Claim, 10 Drawing Sheets



(56)

References Cited

U.S. PATENT DOCUMENTS

D906,889	S *	1/2021	Piatti	D12/110
D915,948	S *	4/2021	Hsieh	D12/110
D927,362	S *	8/2021	Doveri	D12/110
D929,267	S *	8/2021	Zache	D12/110
D934,738	S *	11/2021	Yasatharo	D12/110
D945,933	S *	3/2022	Hu	D12/110
2018/0151860	A1 *	5/2018	David	H01M 50/20
2019/0144065	A1 *	5/2019	David	B62J 50/225 180/208

OTHER PUBLICATIONS

Martin Fitz-Gibbons. "Super SOCO CPX (2020—on) Review." Motorcycle News., Mar. 11, 2021 [online], [retrieved on Apr. 7, 2022]. Retrieved from the Internet <URL: <https://www.motorcyclenews.com/bike-reviews/super-soco/cpx/2020/>>.*

Peter Henshaw. "Best electric mopeds." Motorcycle News., Apr. 7, 2022 [online], [retrieved on Apr. 7, 2022]. Retrieved from the Internet <URL: <https://www.drivingelectric.com/best-cars/1503/best-electric-mopeds/>>.*

* cited by examiner



FIGURE 1

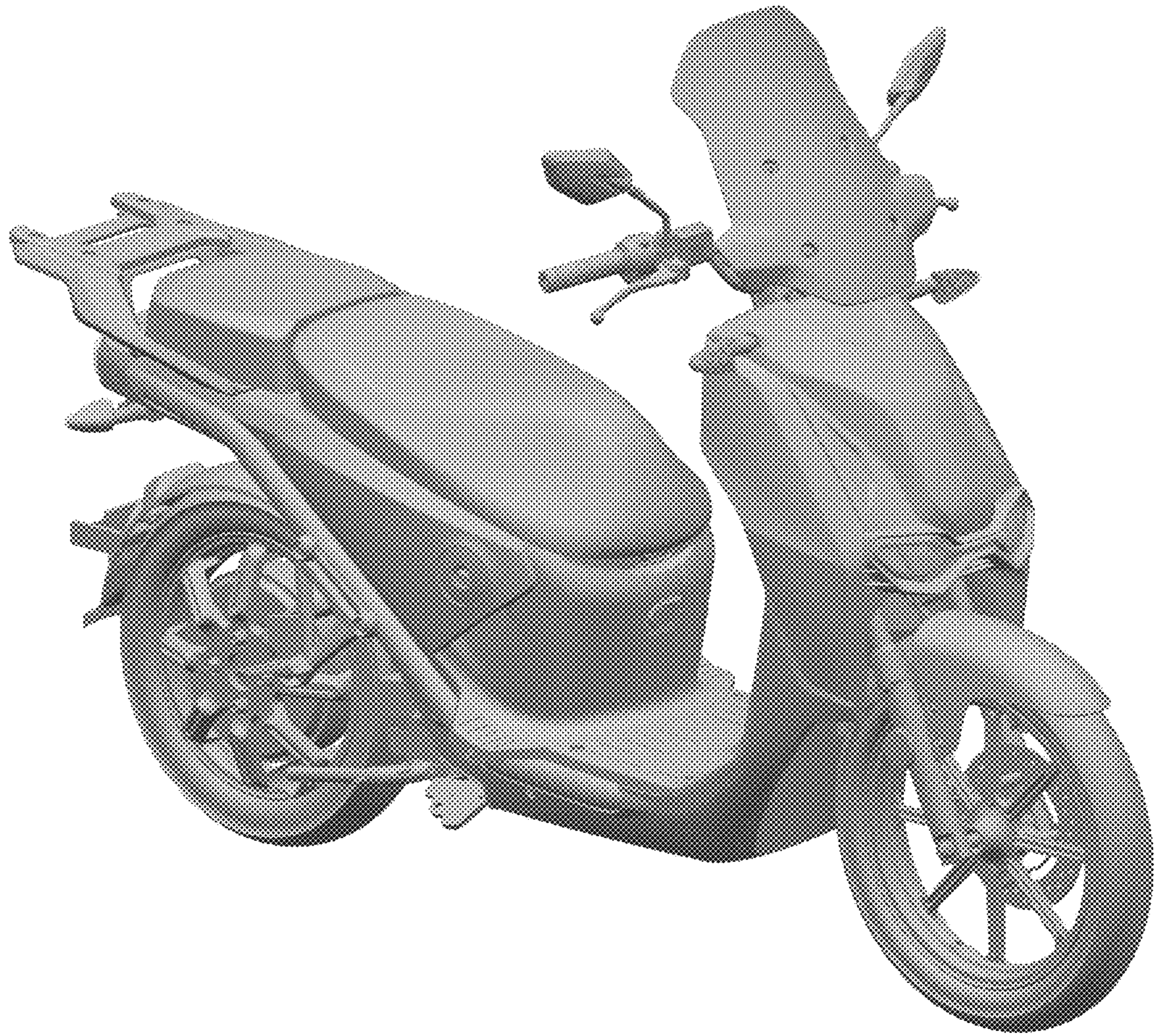


FIGURE 2



FIGURE 3



FIGURE 4



FIGURE 5



FIGURE 6

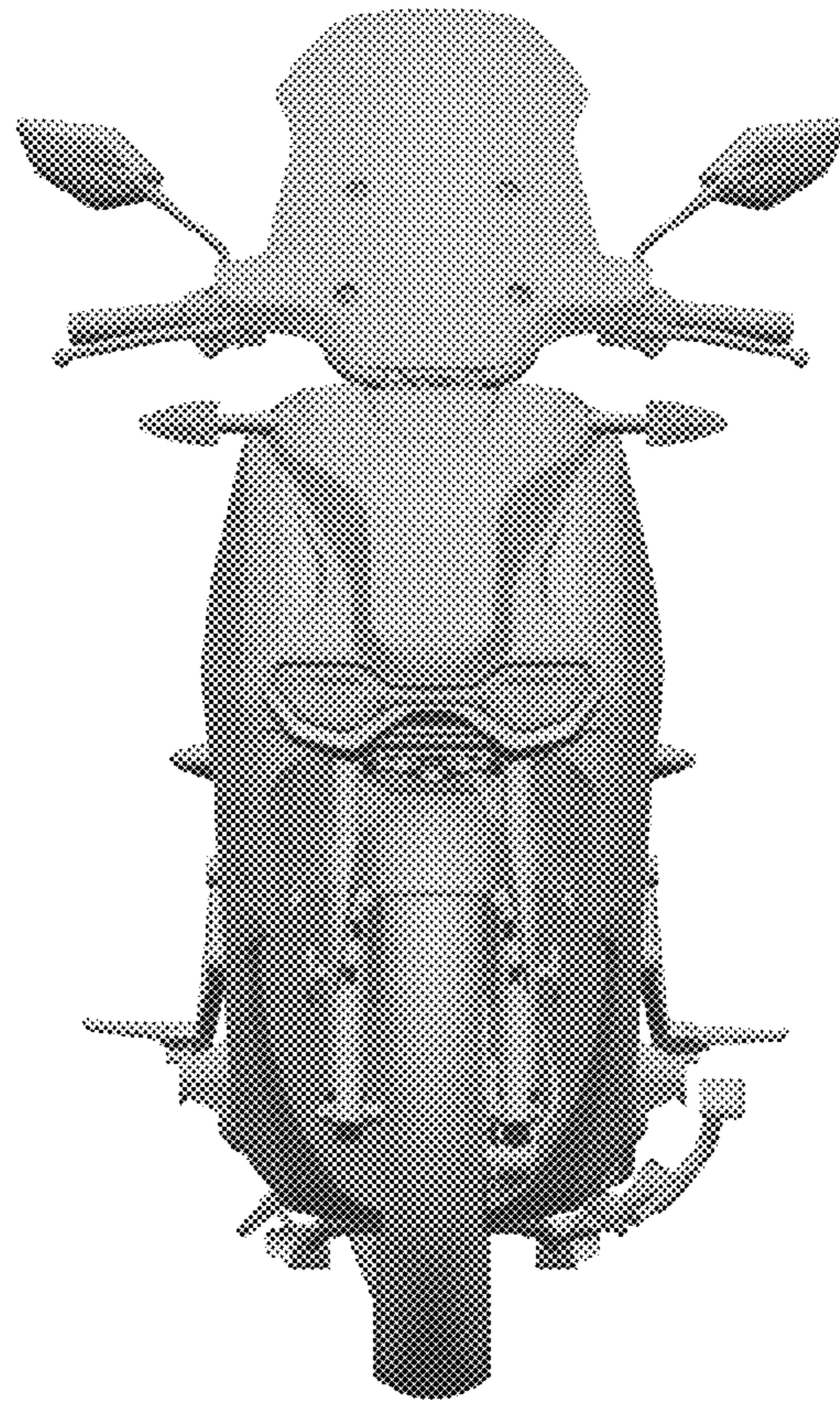


FIGURE 7

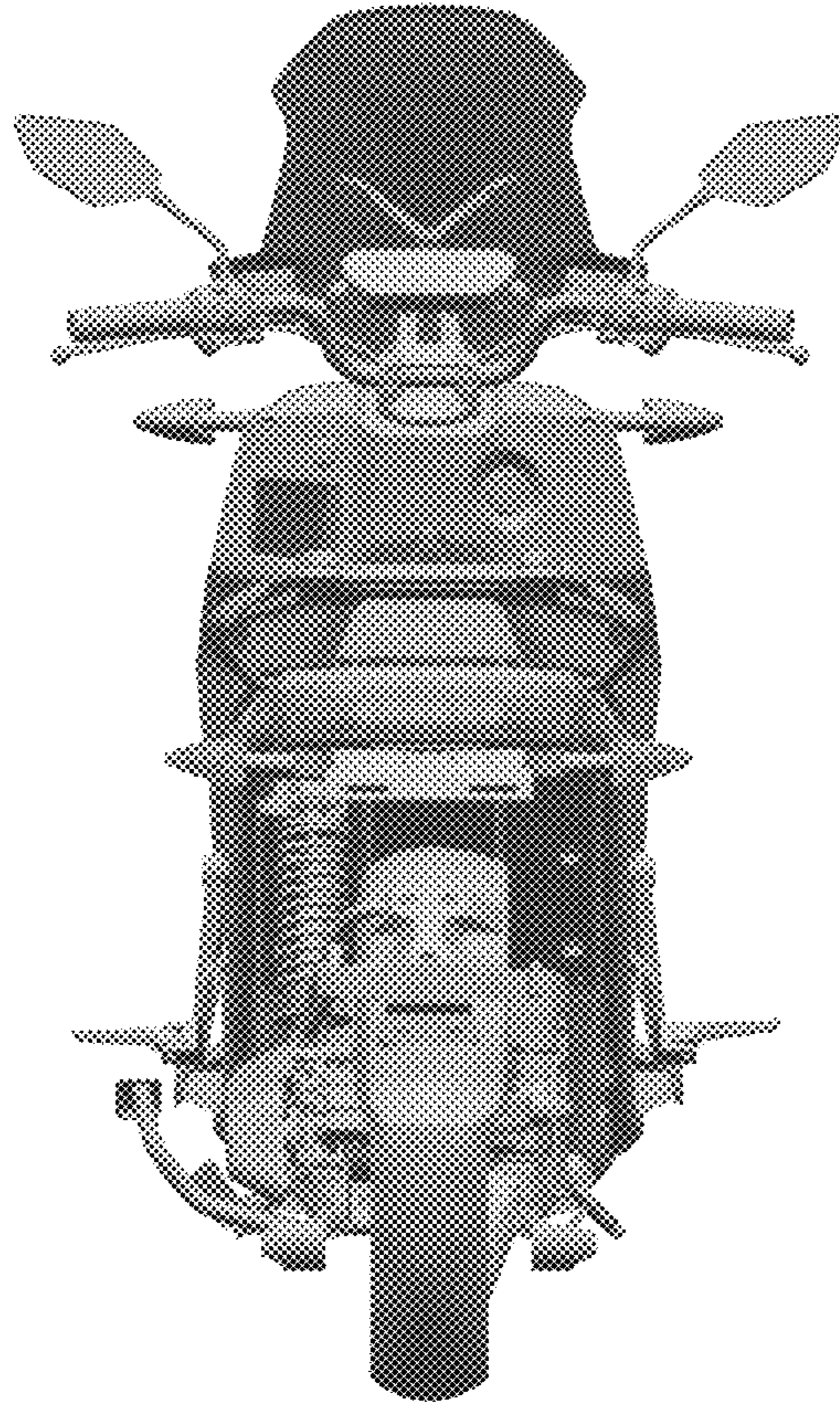


FIGURE 8

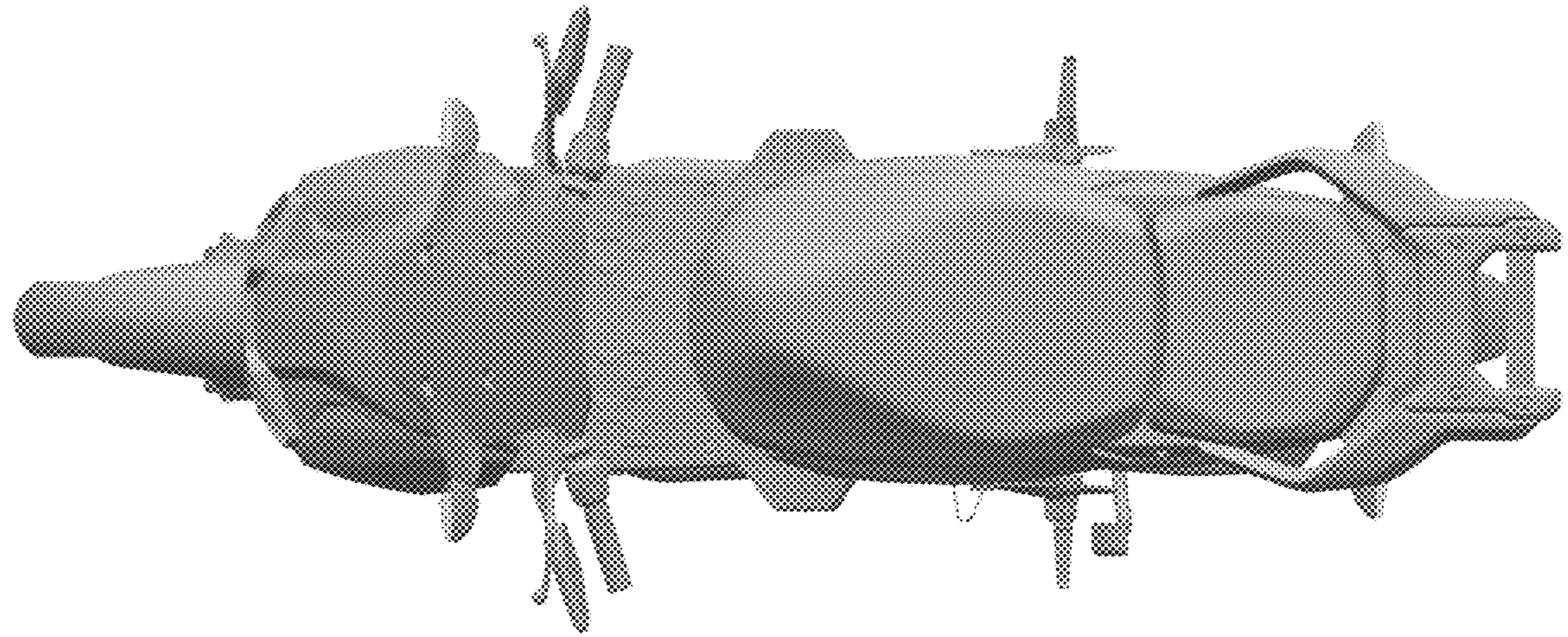


FIGURE 9

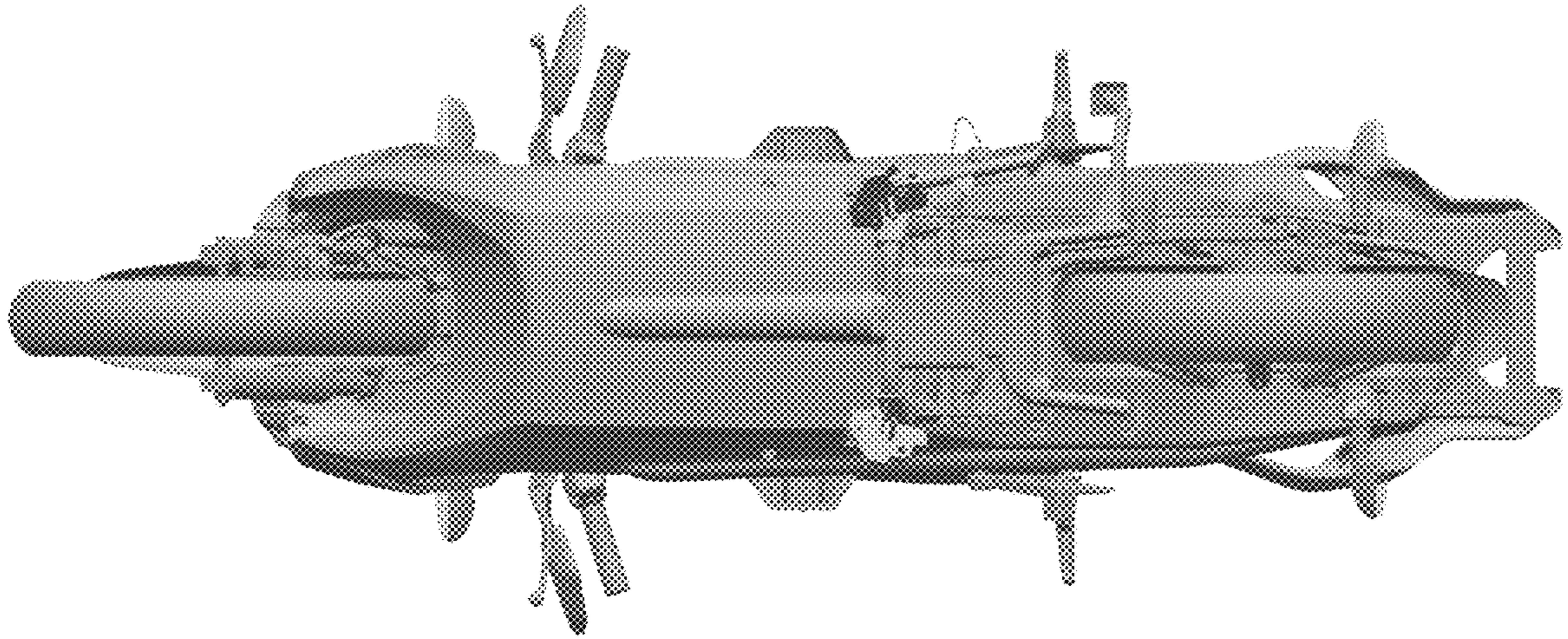


FIGURE 10