



US00D961455S

(12) **United States Design Patent**  
**Baldursson**

(10) **Patent No.:** **US D961,455 S**

(45) **Date of Patent:** **\*\* Aug. 23, 2022**

- (54) **CAMPING TRAILER**
- (71) Applicant: **Jordi Hans Casadesus Baldursson**,  
Jönköping (SE)
- (72) Inventor: **Jordi Hans Casadesus Baldursson**,  
Jönköping (SE)
- (\*\*) Term: **15 Years**
- (21) Appl. No.: **29/773,593**
- (22) Filed: **Mar. 10, 2021**
- (51) **LOC (13) Cl.** ..... **12-16**
- (52) **U.S. Cl.**  
USPC ..... **D12/103**
- (58) **Field of Classification Search**  
USPC ..... D12/19, 129, 100–106, 111–112;  
D21/425, 435; D34/21–26, 12, 16–19  
CPC .. B62D 35/00; B62D 33/077; B62D 33/0612;  
B62D 24/04; B60P 3/10; B60P 3/1033;  
B60P 3/0257; B60P 3/38; B60P 3/34;  
E01F 15/14  
See application file for complete search history.

- 2008/0211259 A1\* 9/2008 Nadeau ..... B60P 3/34  
296/173
- 2012/0291691 A1\* 11/2012 Lee ..... B63C 9/06  
280/789
- 2016/0288690 A1\* 10/2016 Wills ..... B60P 3/34

\* cited by examiner

*Primary Examiner* — Katrina A Betton

(74) *Attorney, Agent, or Firm* — Tucker Ellis LLP

(57) **CLAIM**

The ornamental design for a camping trailer, as shown and described.

**DESCRIPTION**

The patent or application file contains at least one drawing executed in color. Copies of this patent or patent application publication with color drawing(s) will be provided by the Office upon request and payment of the necessary fee.

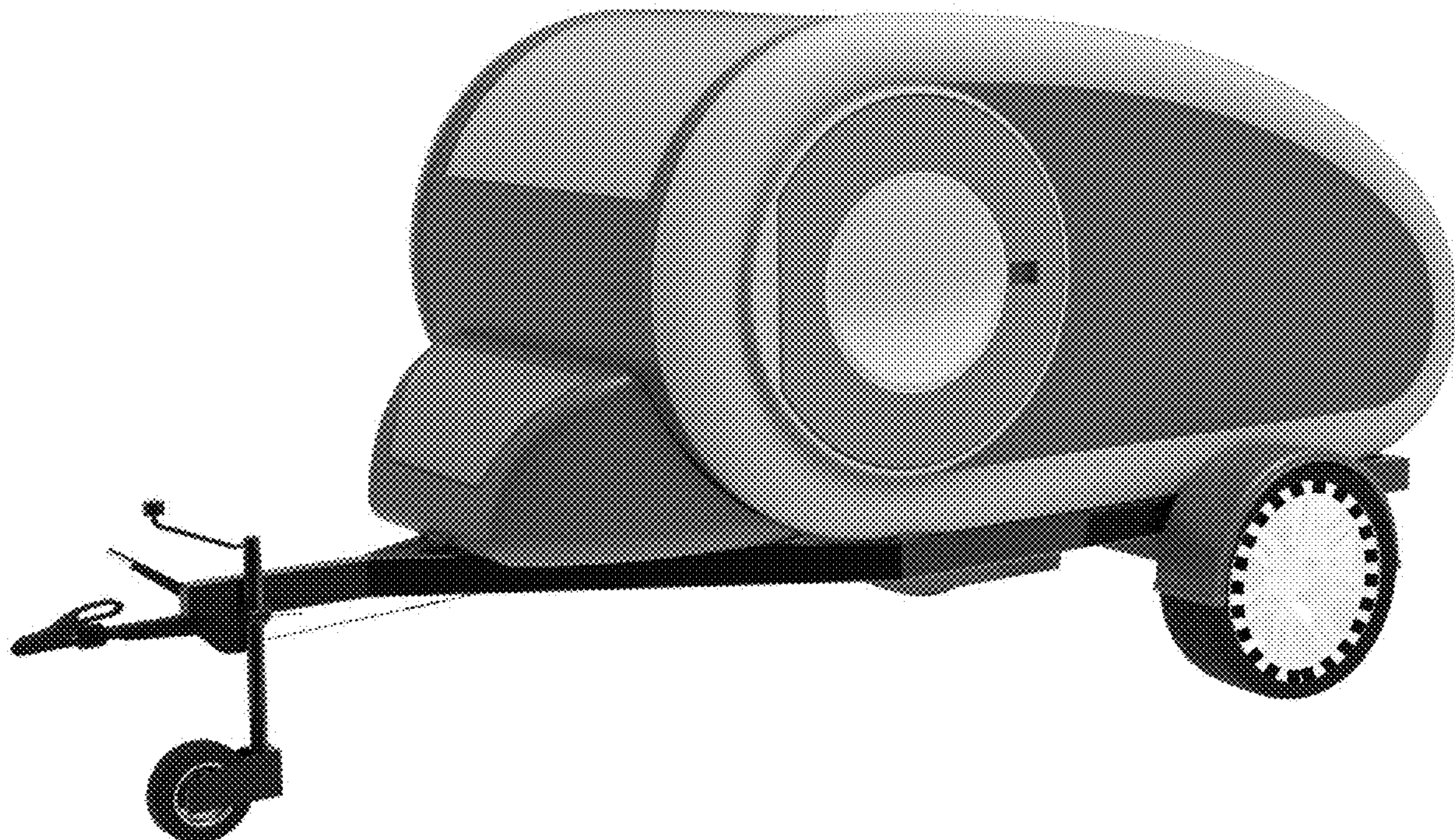
FIG. 1 is a front and left side perspective view of a camping trailer in a closed configuration showing my new design; FIG. 2 is a front and right side perspective view thereof; FIG. 3 is a top, left side and rear perspective view thereof; FIG. 4 is a left side view thereof; FIG. 5 is a right side view thereof; FIG. 6 is a front perspective view thereof; FIG. 7 is a rear perspective view thereof; FIG. 8 is a rear, left side and top perspective of the camping trailer in an open configuration thereof; and, FIG. 9 is a front, right side, and top perspective view thereof. The broken lines in the drawings illustrate portions of the camping trailer that form no part of the claimed design.

(56) **References Cited**

U.S. PATENT DOCUMENTS

- D689,402 S \* 9/2013 Lee ..... D12/103
- D692,353 S \* 10/2013 Kiez ..... D12/103
- D826,787 S \* 8/2018 Goral ..... D12/103
- D864,033 S \* 10/2019 Devine ..... D12/102
- D868,633 S \* 12/2019 Krenelka ..... D12/102
- D875,612 S \* 2/2020 Arter ..... D12/102
- D886,682 S \* 6/2020 Matthews ..... D12/103
- D888,616 S \* 6/2020 Brawley ..... D12/102
- D947,720 S \* 4/2022 Egilsson ..... D12/103

**1 Claim, 9 Drawing Sheets**  
**(9 of 9 Drawing Sheet(s) Filed in Color)**



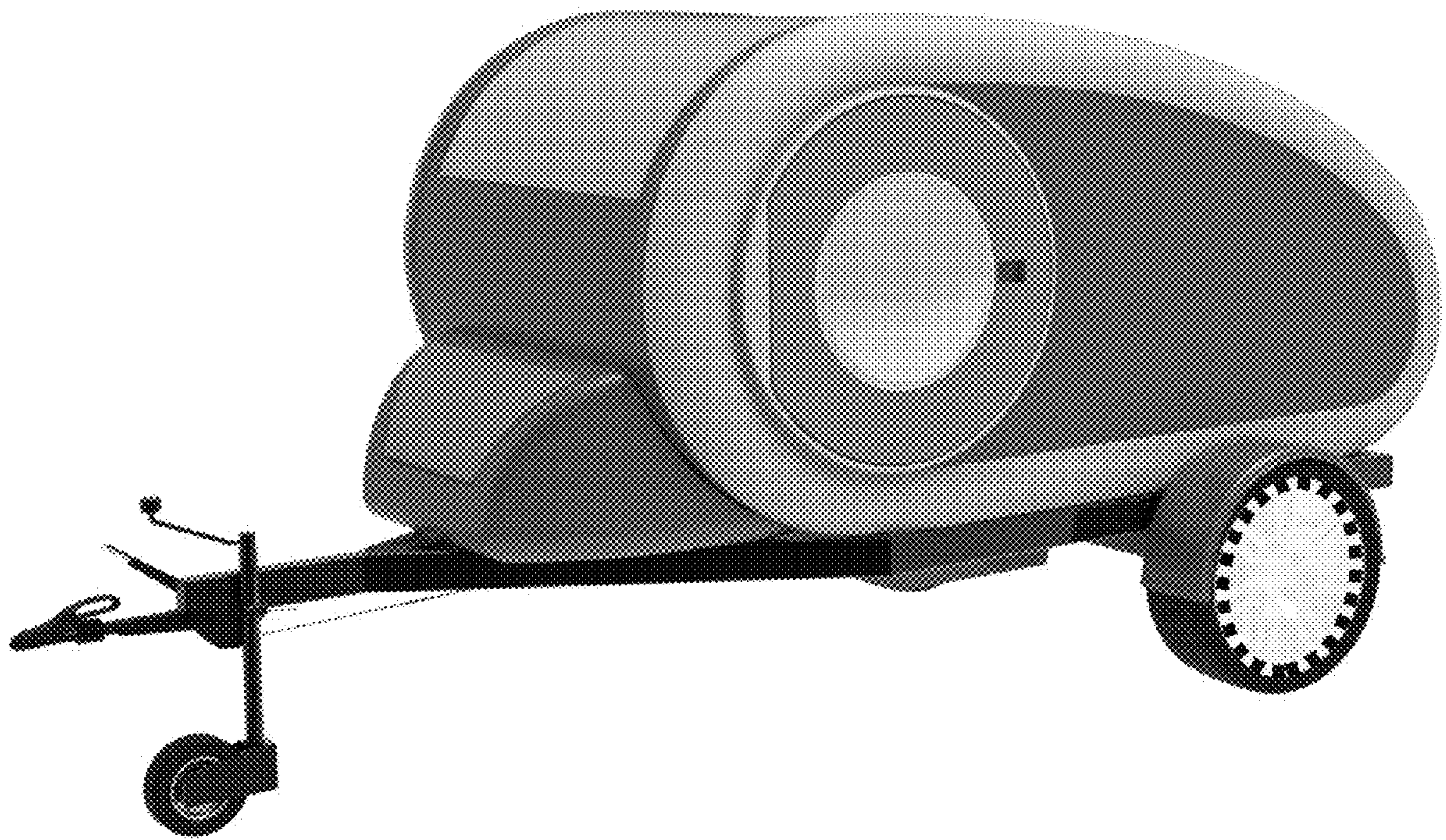


FIG. 1



FIG. 2



FIG. 3

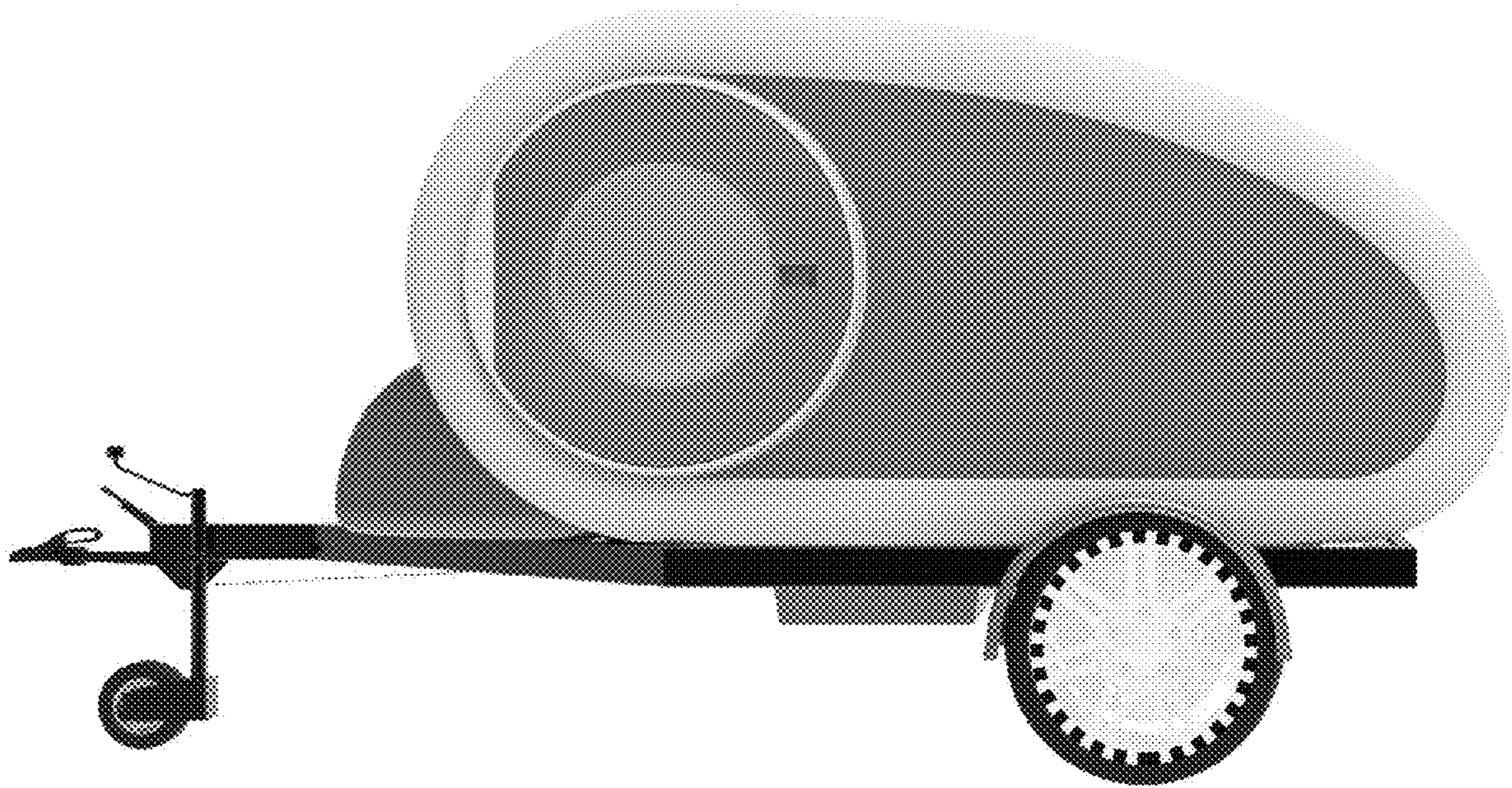


FIG. 4

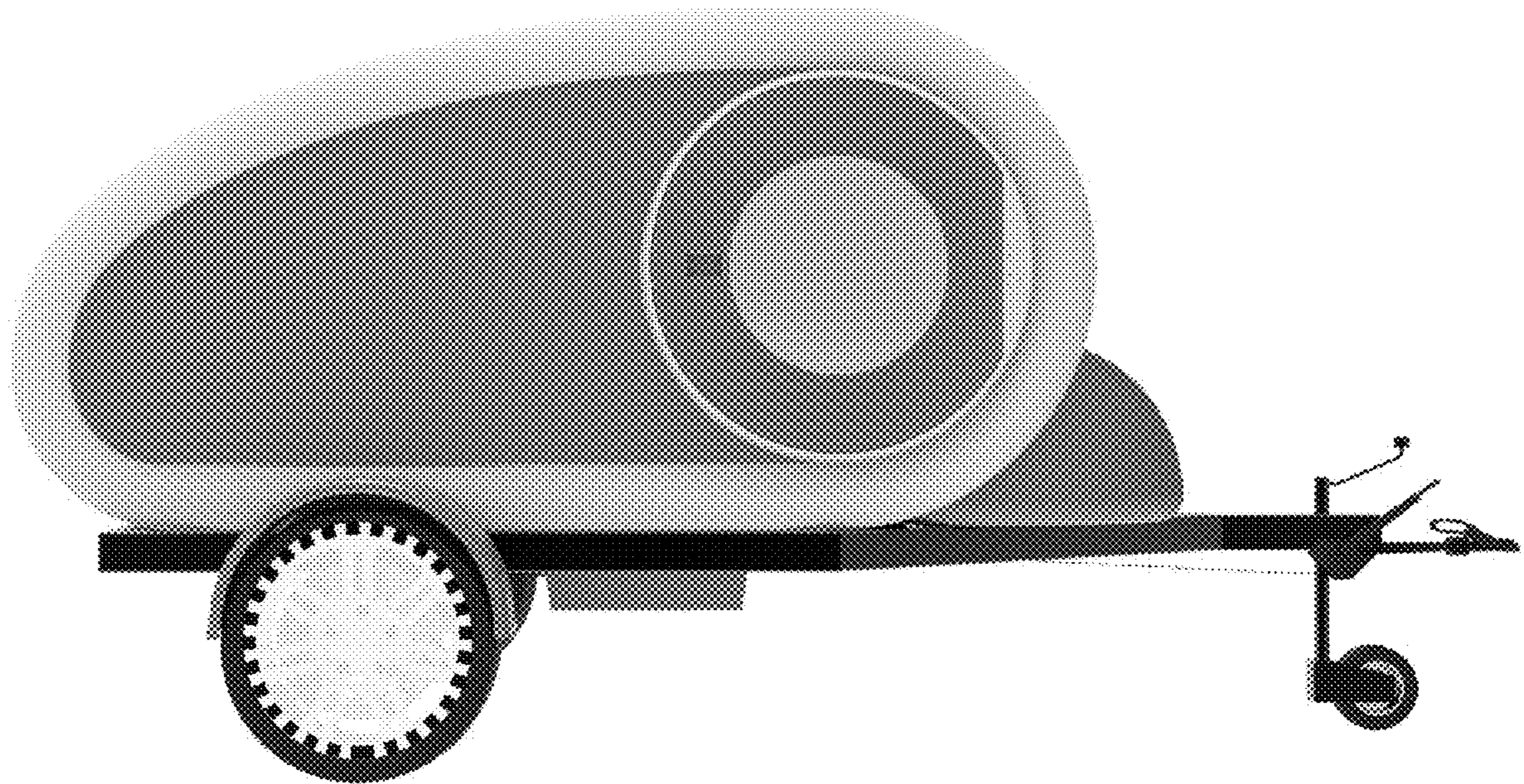


FIG. 5



FIG. 6

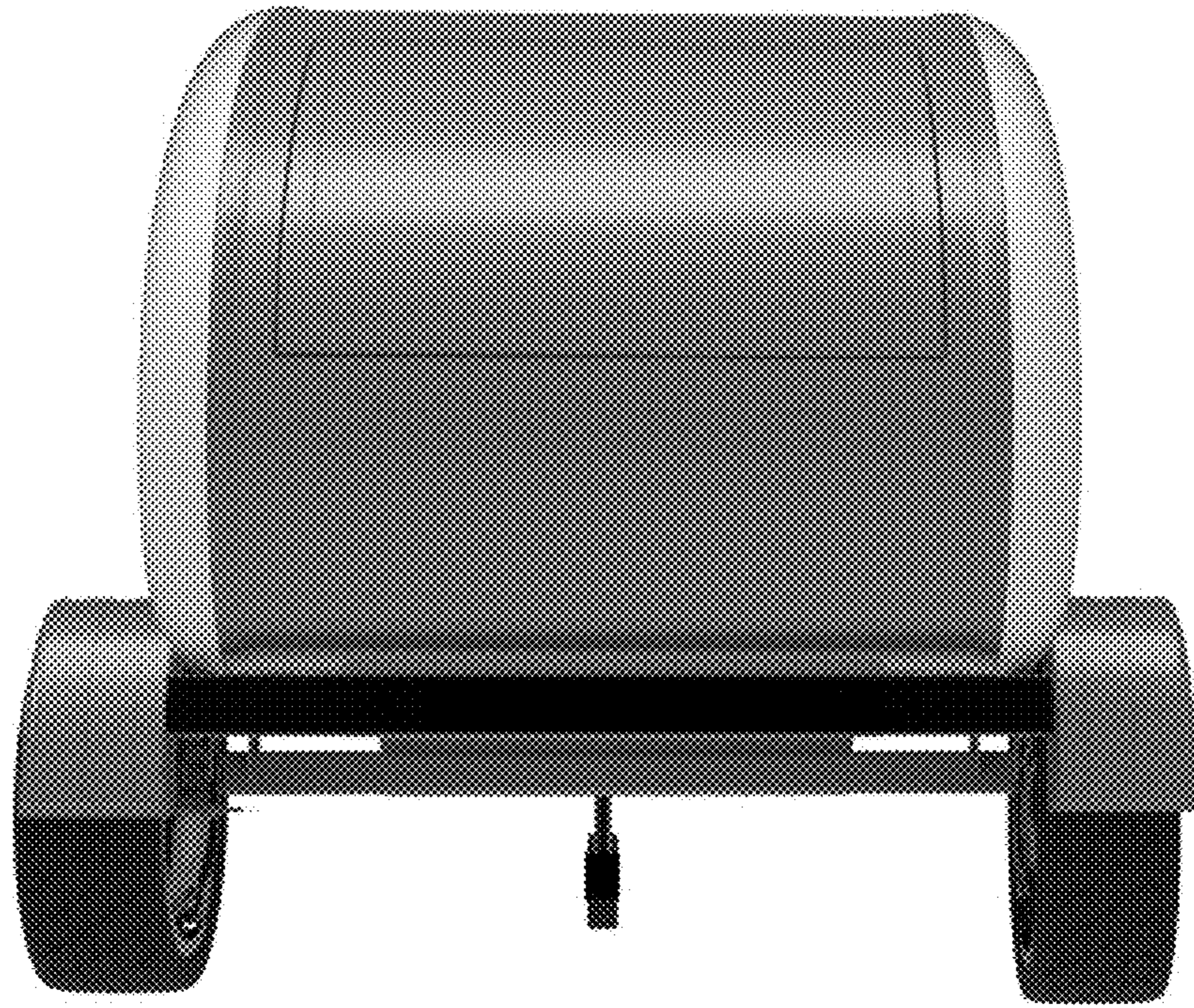


FIG. 7



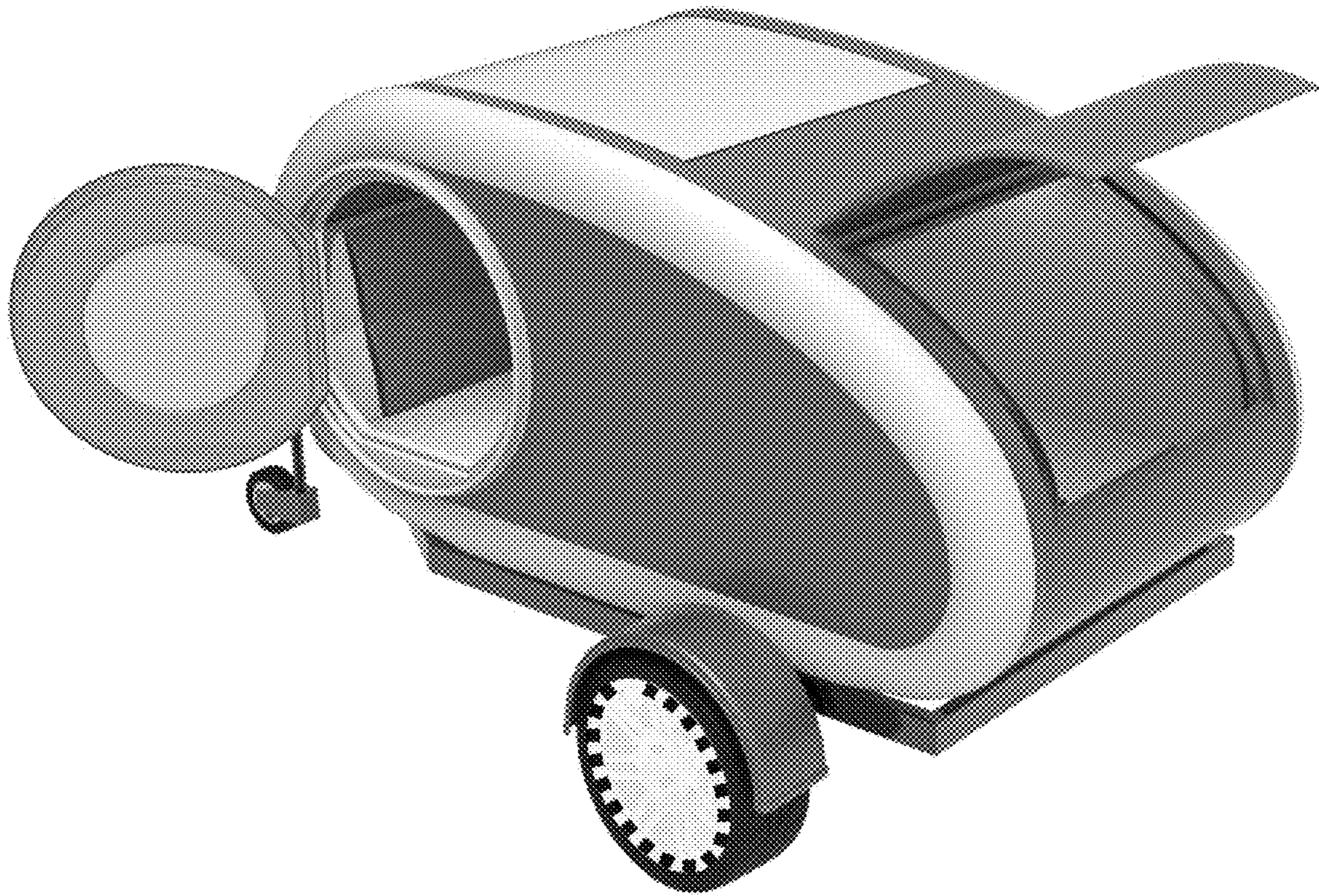


FIG. 8

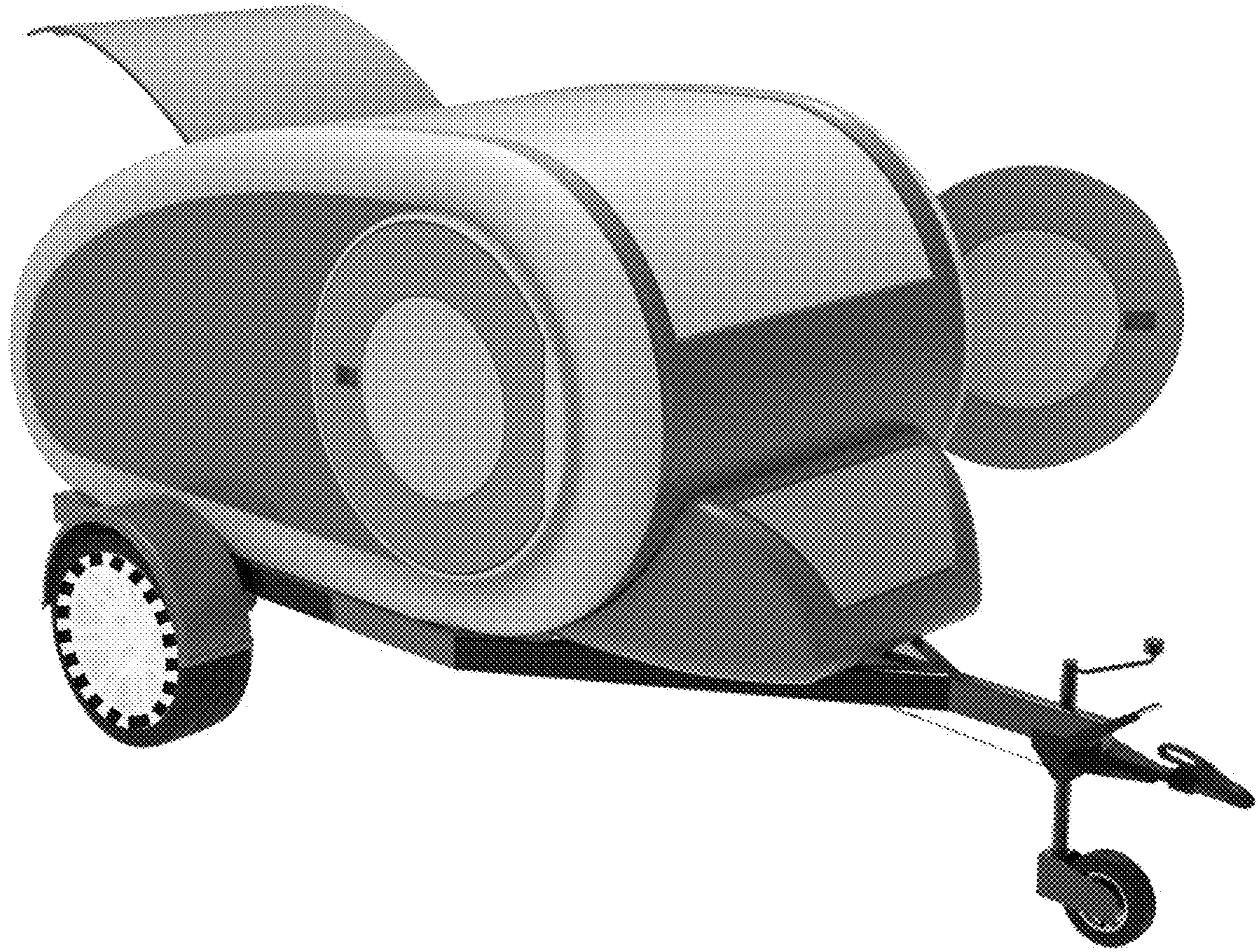


FIG. 9