



US00D961451S

(12) **United States Design Patent**
Smith

(10) **Patent No.:** **US D961,451 S**
(45) **Date of Patent:** **** Aug. 23, 2022**

(54) **PLANT POT**

(71) Applicant: **Robert John Ross**, Middlesex (GB)
(72) Inventor: **Philip Forrest Smith**, East Bridgford (GB)

(73) Assignee: **Robert John Ross**, Middlesex (GB)

(**) Term: **15 Years**

(21) Appl. No.: **29/740,919**

(22) Filed: **Jul. 8, 2020**

(30) **Foreign Application Priority Data**

Jan. 8, 2020 (EM) 007490677-0001

(51) **LOC (13) Cl.** **11-02**

(52) **U.S. Cl.**
USPC **D11/155**

(58) **Field of Classification Search**
USPC D11/143-151, 155, 164; D3/304;
D9/431, 433

CPC B65D 5/2009; A01G 9/02; A47G 7/00;
A47G 7/02; A47G 7/04; A47G 7/06;
A47G 7/08

See application file for complete search history.

(56) **References Cited**

U.S. PATENT DOCUMENTS

D33,787 S * 12/1900 Meiners D23/249
666,352 A * 1/1901 Perry B65D 5/2009
229/113
687,968 A * 12/1901 Reber B65D 5/2009
229/113
688,313 A * 12/1901 Keller B65D 5/2009
229/113
D101,608 S * 10/1936 Ansehl D9/431
2,276,220 A * 3/1942 Le Veille, Sr. B65D 31/18
229/113
2,646,915 A * 7/1953 Bockmann B65D 5/2047
229/113

(Continued)

FOREIGN PATENT DOCUMENTS

GB 1280192 A 7/1972
GB 2144015 A 2/1985

(Continued)

OTHER PUBLICATIONS

Search Report of corresponding application GB 1917829.2; dated May 27, 2020; 2 pages.

Primary Examiner — Elizabeth A. Albert

(74) *Attorney, Agent, or Firm* — Young Basile Hanlon & MacFarlane, P.C.

(57) **CLAIM**

The ornamental design for a plant pot, as shown and described.

DESCRIPTION

FIG. 1 is a front, upper, right perspective view of a plant pot showing my new design.

FIG. 2 is a front, lower, right perspective view thereof;

FIG. 3 is a front view thereof, the rear view being identical to the front view;

FIG. 4 is a right view thereof, the left view being identical to the right view;

FIG. 5 is a top view thereof; and

FIG. 6 is a bottom view thereof.

FIG. 7 is a front, upper, right perspective view of the plant pot of FIG. 1 in an open configuration;

FIG. 8 is a front, lower, right perspective view thereof;

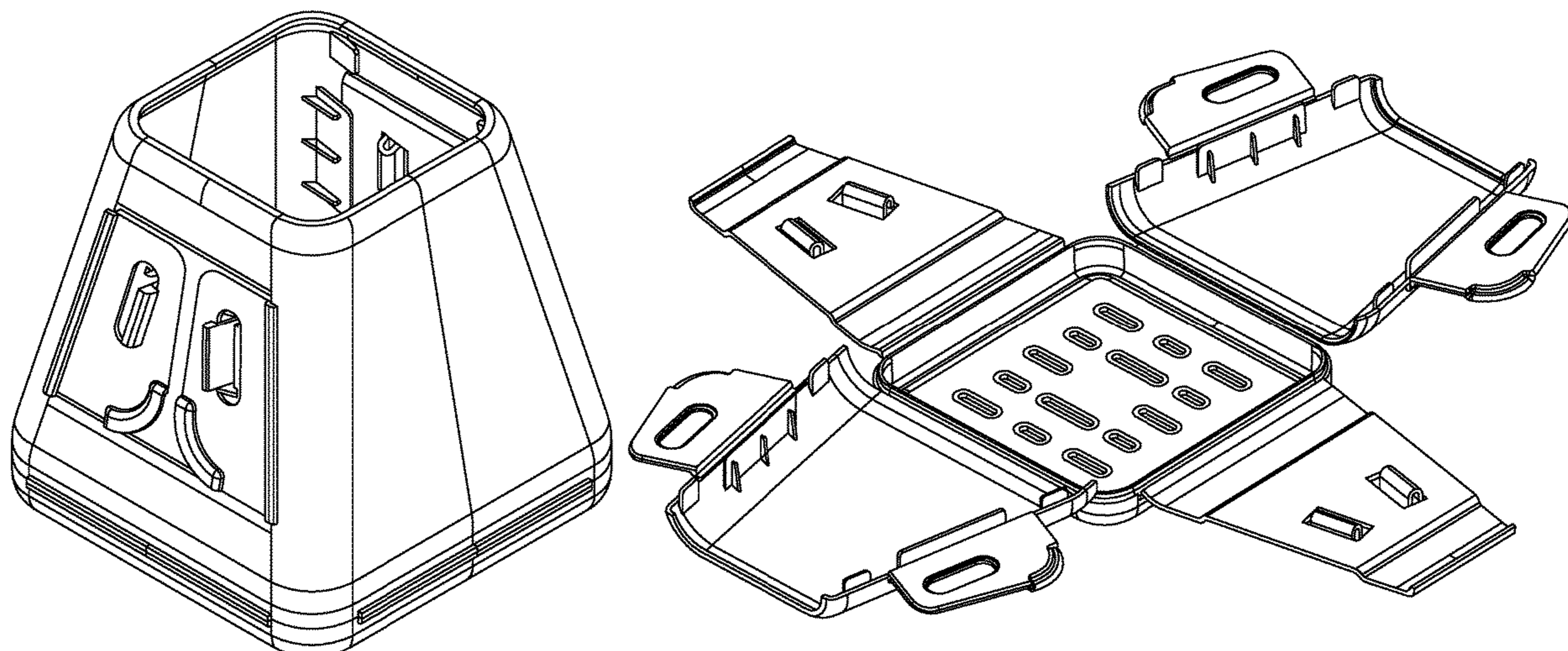
FIG. 9 is a front view thereof, the rear view being identical to the front view;

FIG. 10 is a right view thereof, the left view being identical to the right view;

FIG. 11 is a top view thereof; and,

FIG. 12 is a bottom view thereof.

1 Claim, 7 Drawing Sheets



(56)

References Cited

U.S. PATENT DOCUMENTS

D216,843	S *	3/1970	Lew	D9/431
D241,407	S *	9/1976	Johnson	D34/1
D241,454	S *	9/1976	Craft, III et al.	D11/155
4,078,658	A *	3/1978	Neiser	B65D 71/46 206/490
4,819,803	A *	4/1989	Neiser	B65D 85/52 248/152
5,353,984	A *	10/1994	Liu	B65D 5/2009 229/114
D377,402	S *	1/1997	Perkins	D26/9
D456,710	S *	5/2002	Persson	D9/431
6,405,888	B1	6/2002	Overholt et al.		
D572,169	S *	7/2008	De Roeck	D11/155
D625,649	S *	10/2010	Rooney	D11/146
D653,088	S *	1/2012	Hansen	D7/624.1
9,049,846	B2 *	6/2015	Eason	A01K 31/19
D750,178	S *	2/2016	Seydoux	D21/333
D801,805	S *	11/2017	Pensler	D9/425
D848,595	S *	5/2019	Nechita	D23/366
D897,433	S *	9/2020	Jo	D14/374
2006/0026896	A1 *	2/2006	Flanagan	A47G 7/063 47/41.01
2006/0230675	A1	10/2006	Klohr et al.		
2007/0089361	A1 *	4/2007	Weder	A47G 7/063 47/41.01
2012/0080443	A1 *	4/2012	Stephens	B65D 83/08 221/45
2016/0227712	A1	8/2016	Perez-Vega et al.		
2020/0029505	A1 *	1/2020	Riley	A01G 9/02

FOREIGN PATENT DOCUMENTS

GB	2385583	A	8/2003
GB	2402858	A	12/2004

* cited by examiner

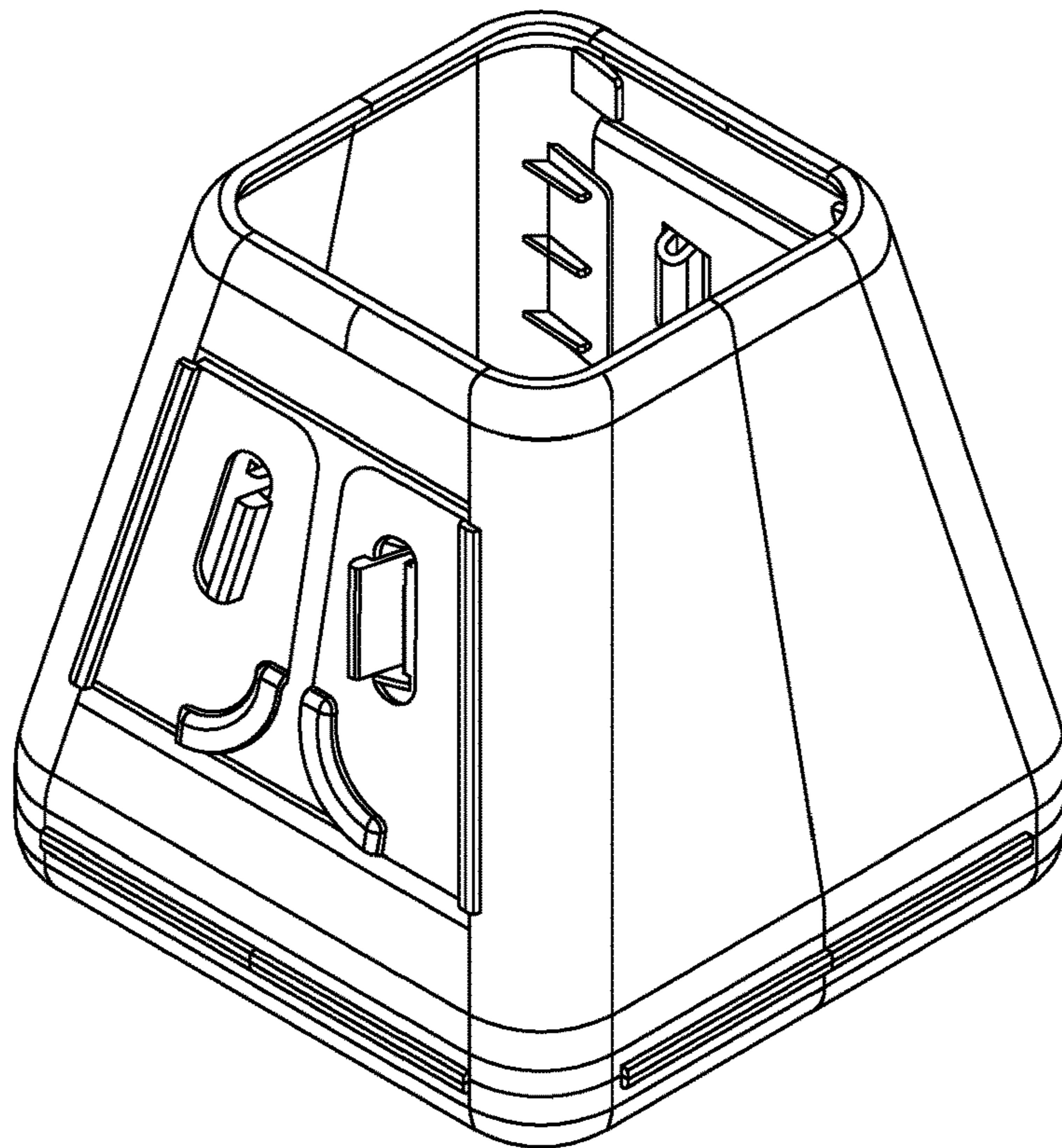


FIG. 1

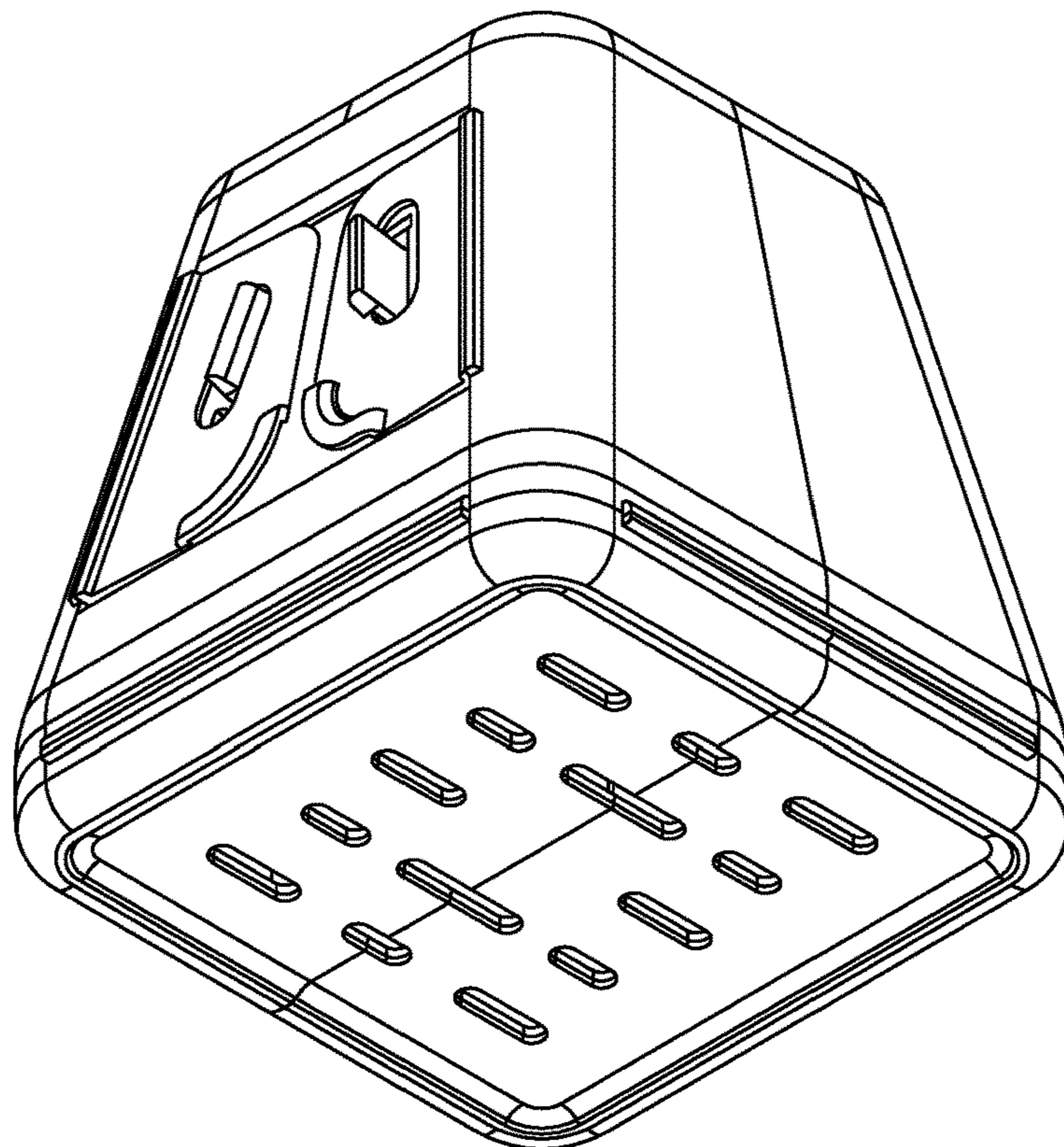


FIG. 2

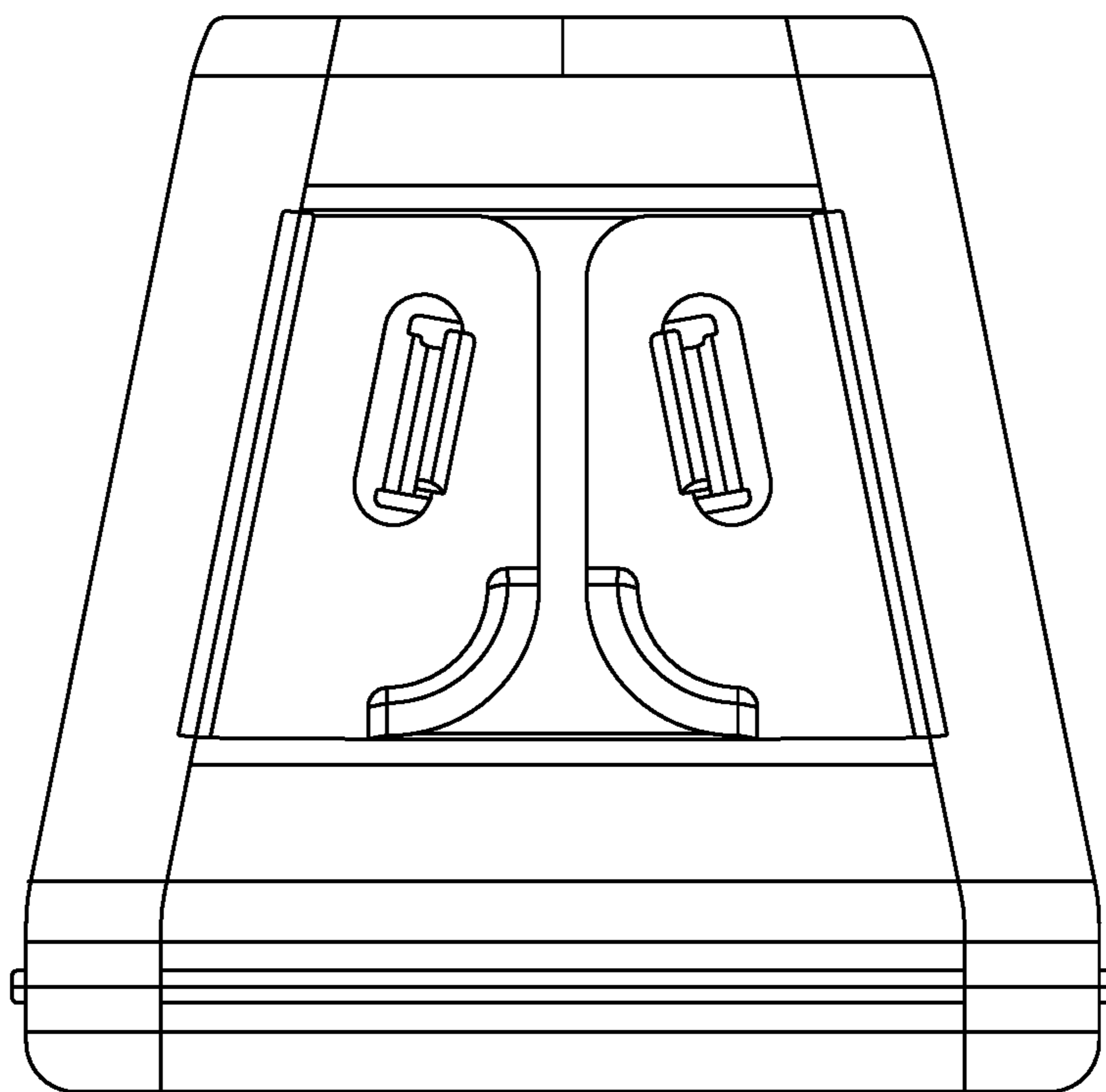


FIG. 3

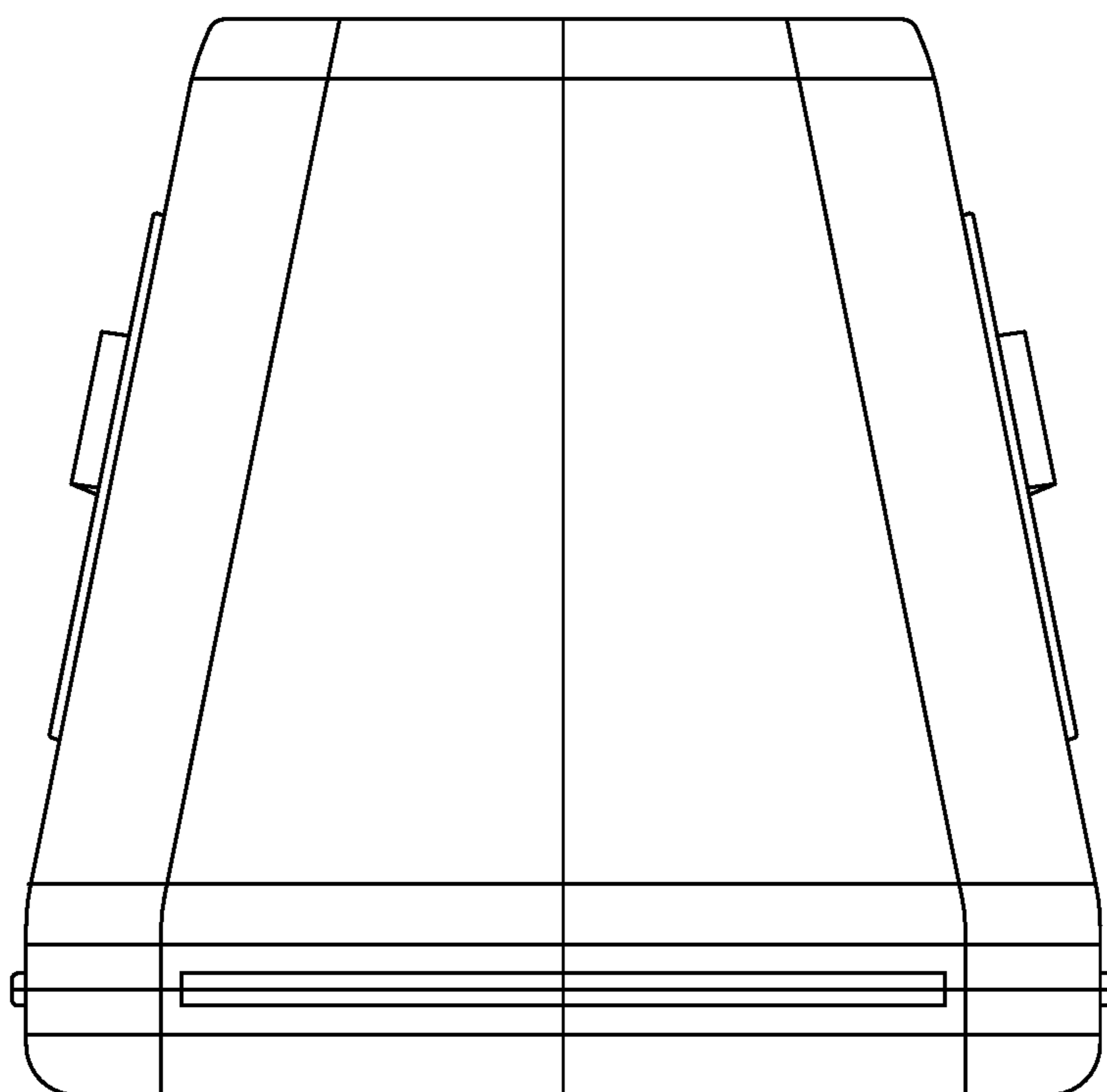


FIG. 4

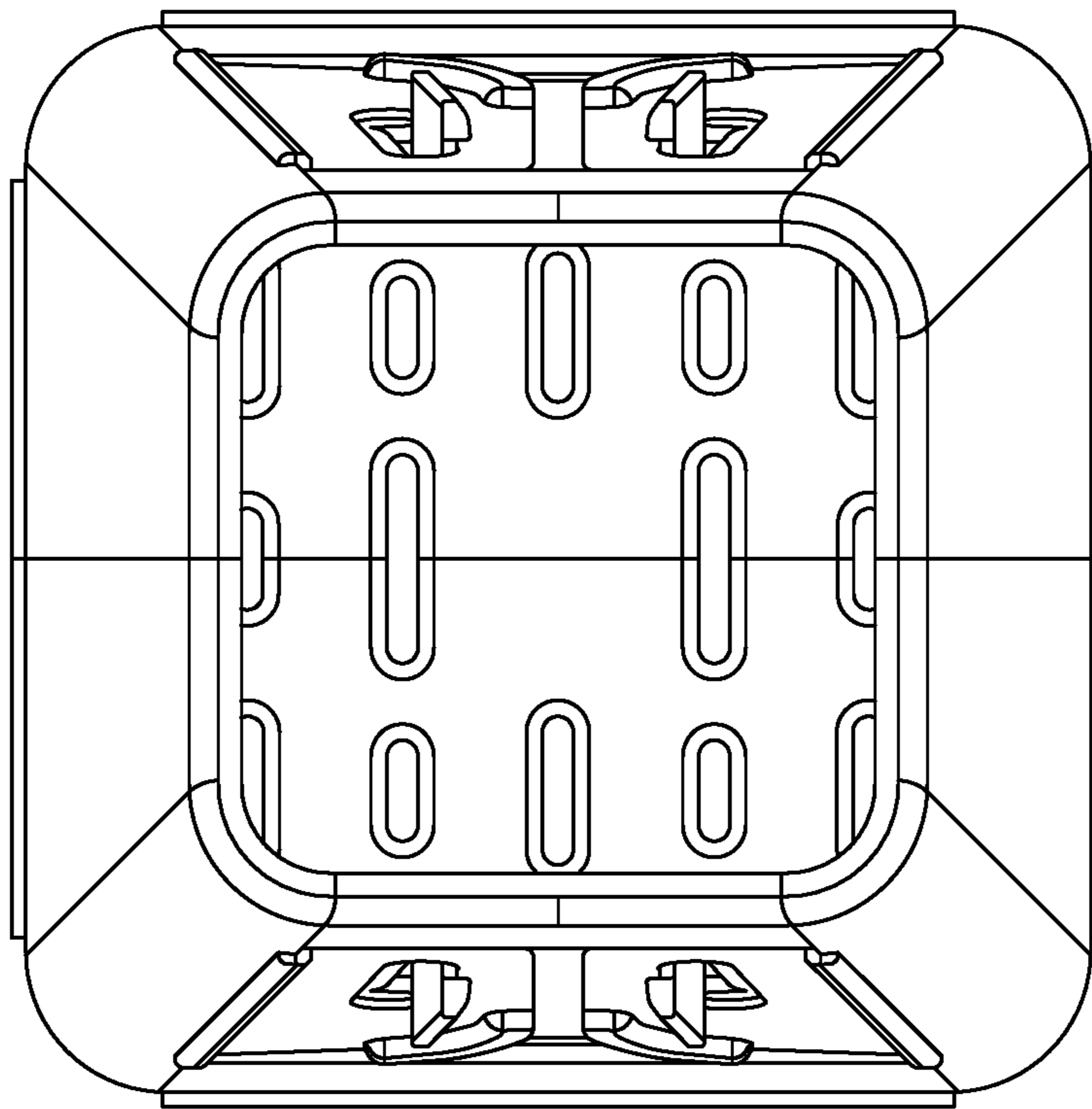


FIG. 5

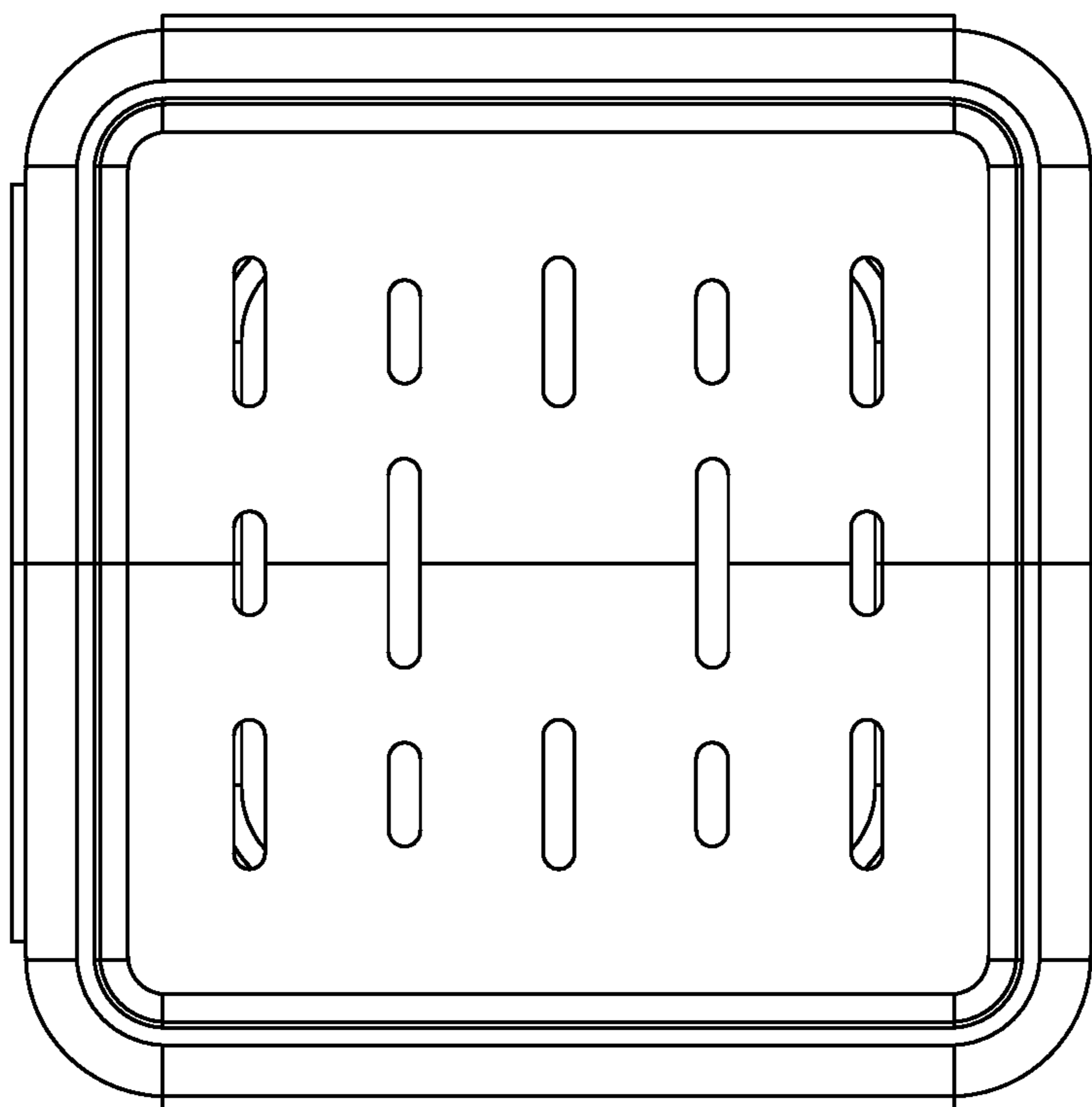


FIG. 6

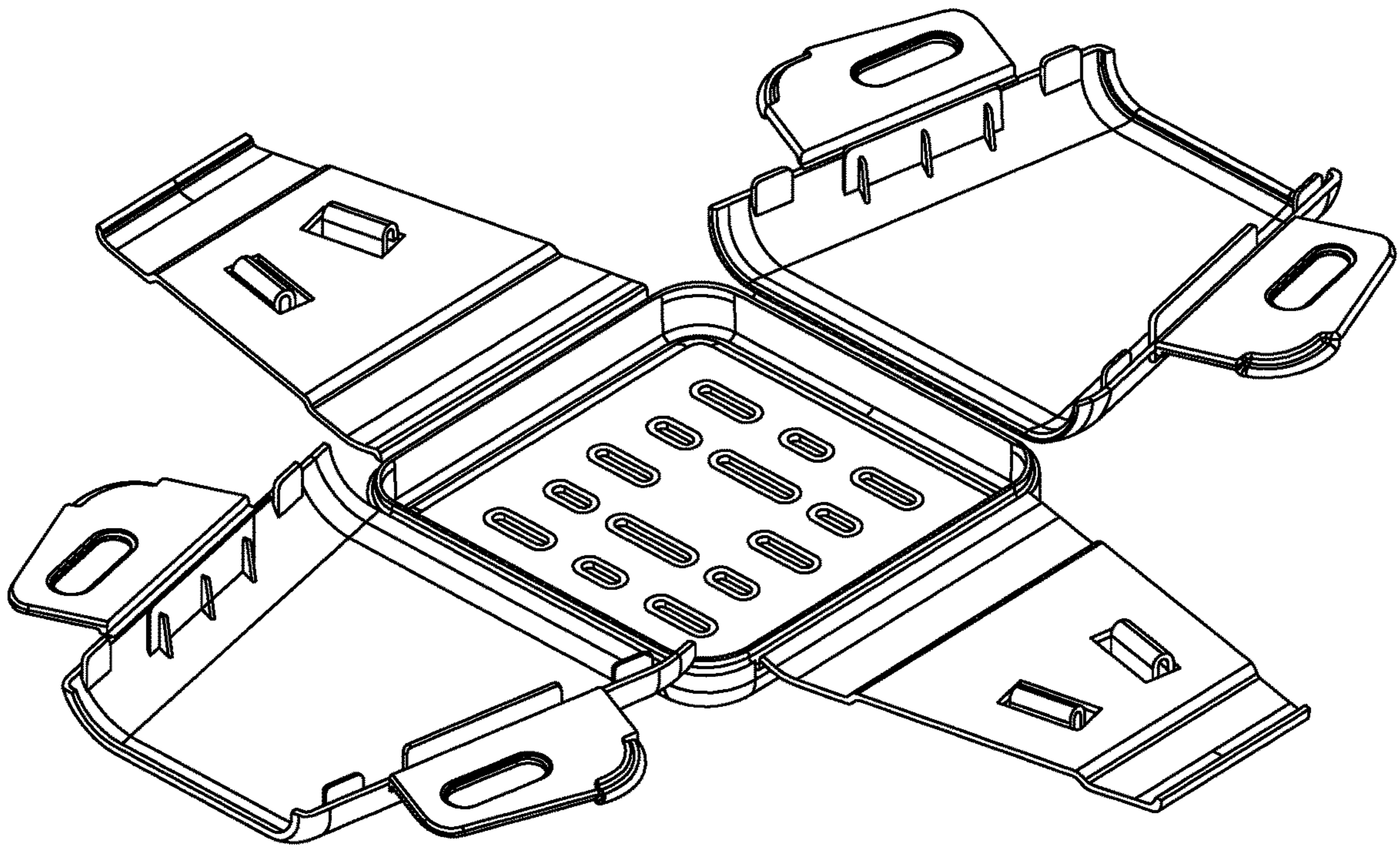


FIG. 7

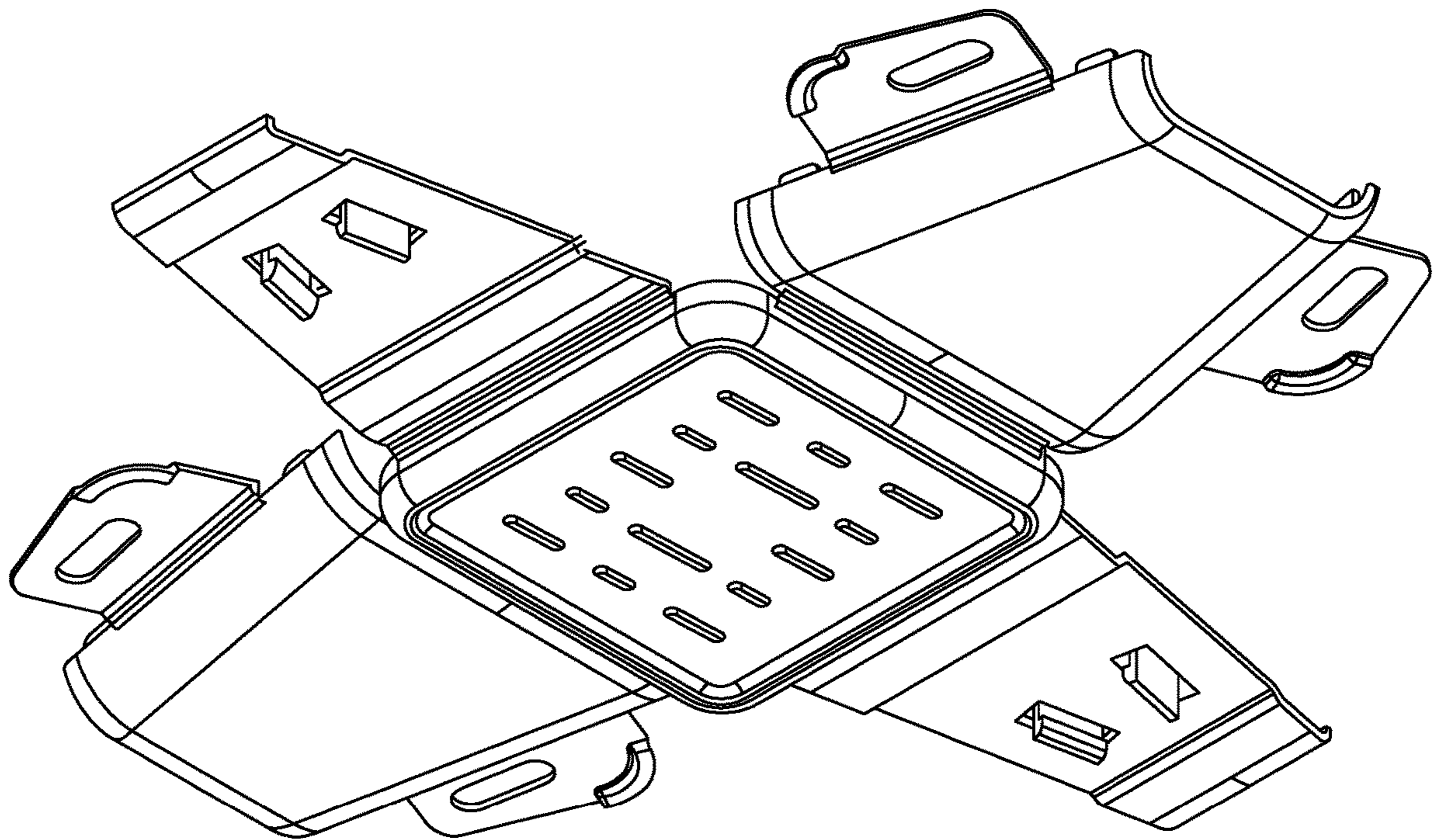


FIG. 8

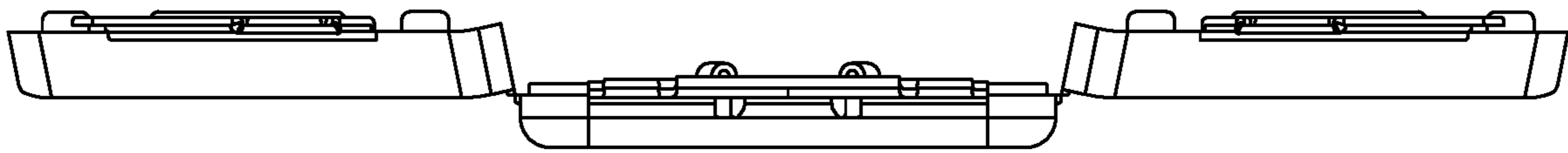


FIG. 9

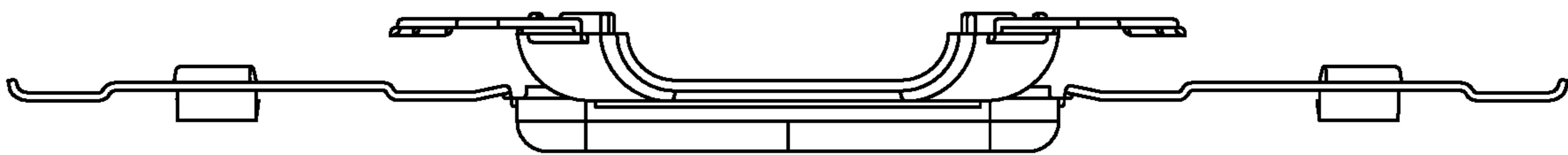


FIG. 10

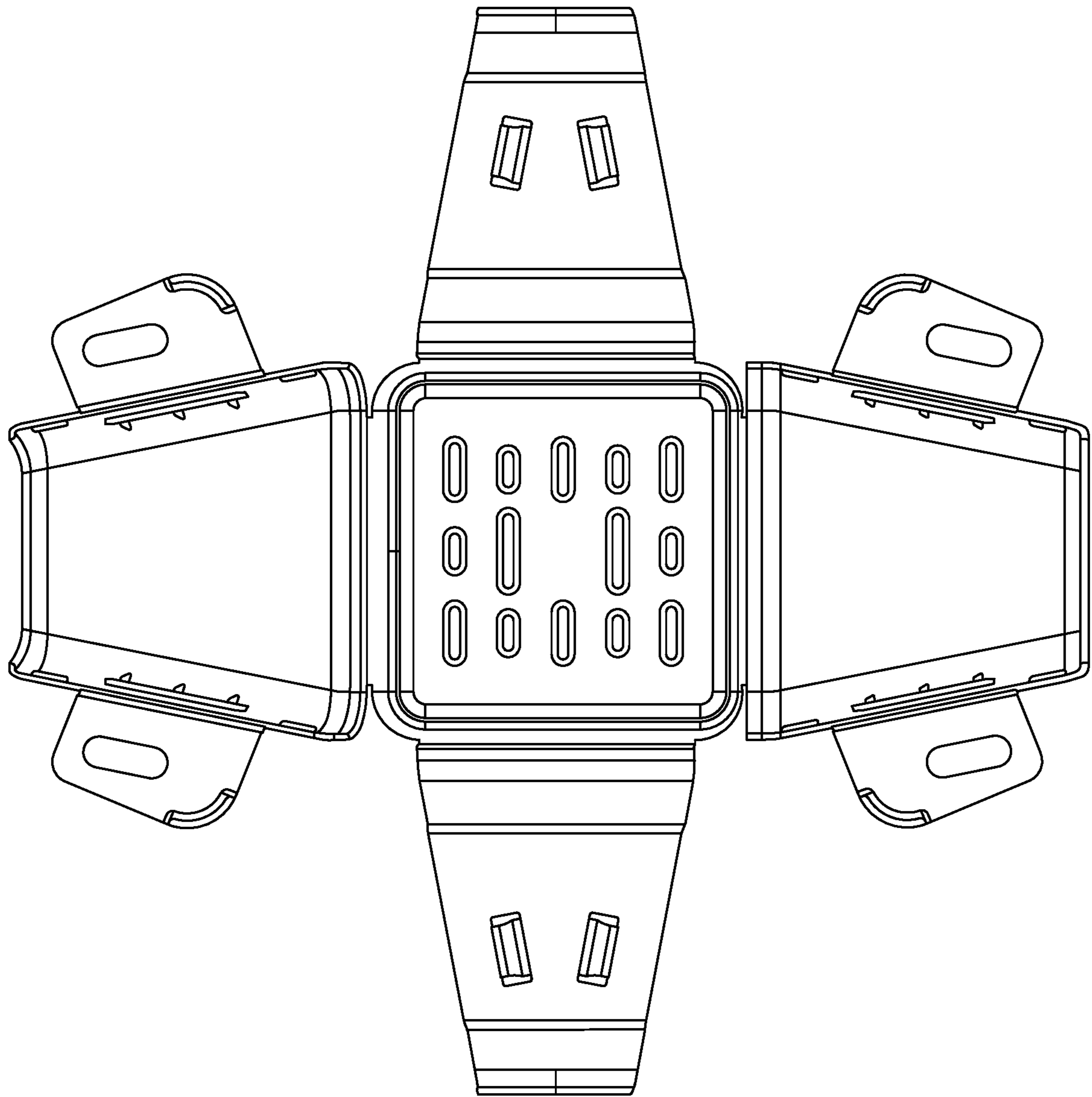


FIG. 11

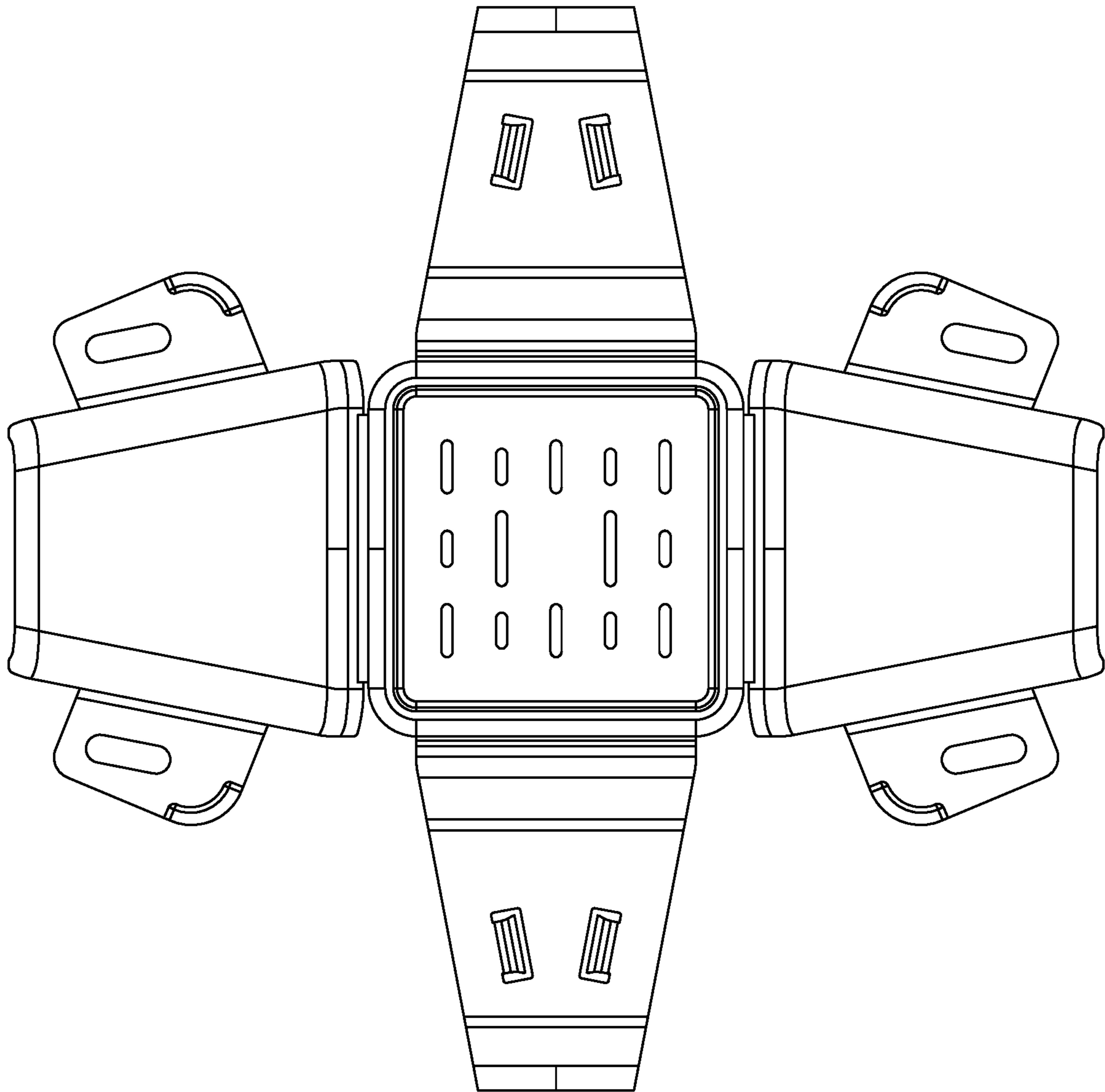


FIG. 12