



US00D961441S

(12) **United States Design Patent** (10) **Patent No.:** **US D961,441 S**
Sivriere (45) **Date of Patent:** **** Aug. 23, 2022**

(54) **ARTICLE OF JEWELRY**
(71) Applicant: **RICHEMONT INTERNATIONAL SA, Villars-sur-Glane (CH)**

D158,320 S * 4/1950 Philippe D11/8
D170,360 S * 9/1953 Levin D11/79
D171,504 S * 2/1954 Katz D11/43
(Continued)

(72) Inventor: **Stéphanie Sivriere, Geneva (CH)**
(73) Assignee: **RICHEMONT INTERNATIONAL SA, Villars-sur-Glane (CH)**

FOREIGN PATENT DOCUMENTS

CN 306816824 * 9/2021
KR 3011067560003 * 4/2021

(**) Term: **15 Years**
(21) Appl. No.: **29/733,518**
(22) Filed: **May 4, 2020**

OTHER PUBLICATIONS

Piaget: Journey of the Sun, available Jun. 22, 2021, online, site visited Mar. 7, 2022. Available online, URL: <https://curatedition.com/watches-and-jewellery/piaget-sunlight-collection-journey-of-the-sun/> (Year: 2021).*

(30) **Foreign Application Priority Data**
Mar. 27, 2020 (WO) WIPO93644
(51) **LOC (13) Cl.** **11-01**
(52) **U.S. Cl.**
USPC **D11/16; D11/8**
(58) **Field of Classification Search**
USPC D11/1-23, 43, 79, 93, 94, 24, 25
CPC A44C 5/00; A44C 5/0007; A44C 5/0069;
A44C 5/0076; A44C 5/02; A44C 5/027;
A44C 5/04; A44C 5/08
See application file for complete search history.

(Continued)

Primary Examiner — W. A. Teddy Falloway
Assistant Examiner — Sarah J Ault
(74) *Attorney, Agent, or Firm* — Oliff PLC

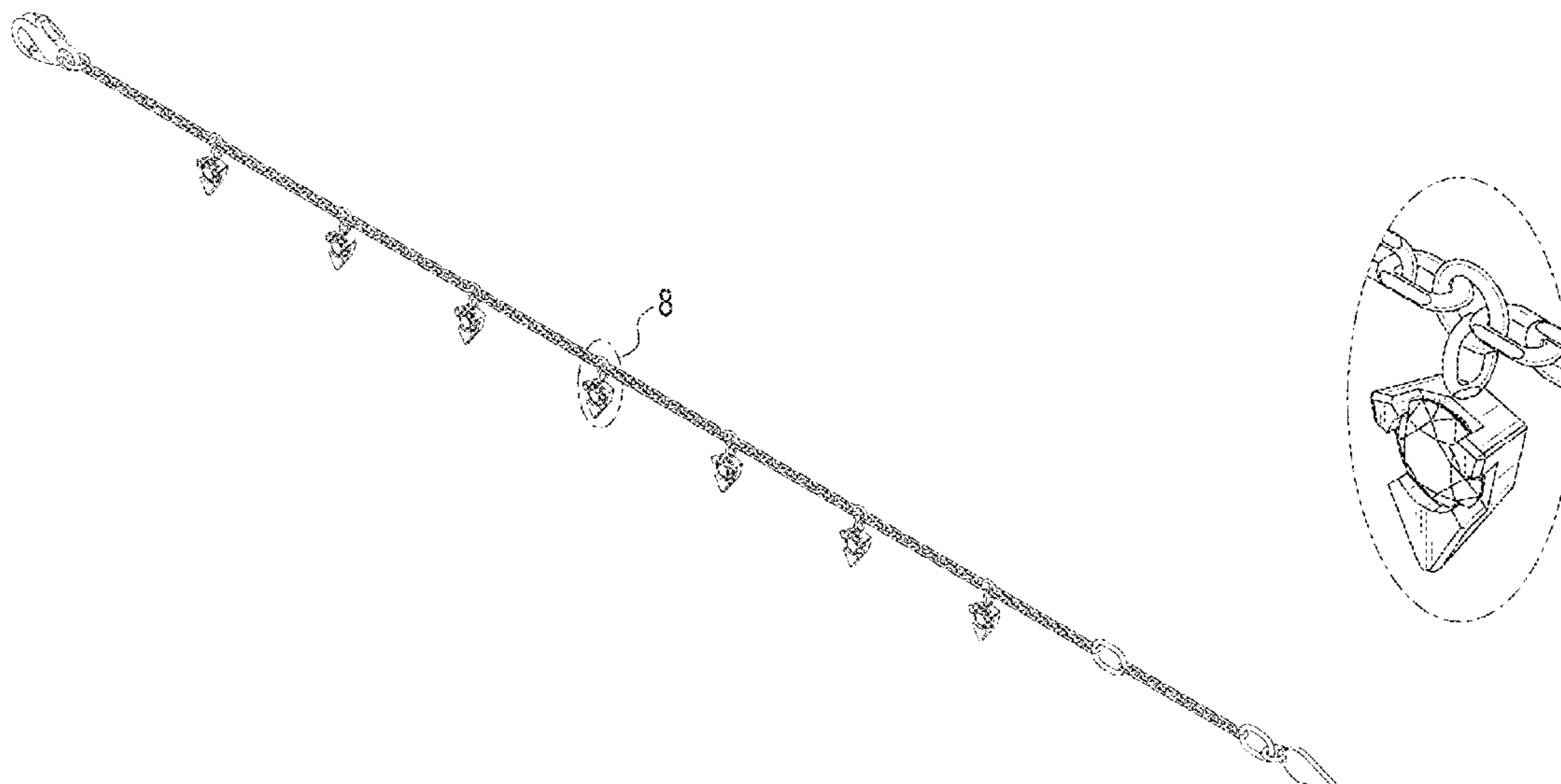
(56) **References Cited**
U.S. PATENT DOCUMENTS
1,477,235 A * 12/1923 Ballou, Jr. A44C 11/00
63/3.1
D100,665 S * 8/1936 Kelley D11/8
2,052,381 A * 8/1936 Chernow A44C 5/02
D11/12
D146,584 S * 4/1947 Philippe D11/8
D147,393 S * 9/1947 Arpels D11/8
D150,588 S * 8/1948 Katz D11/43
D151,709 S * 11/1948 Philippe D11/9
D154,030 S * 6/1949 Duvalet D11/90

(57) **CLAIM**
The ornamental design for an article of jewelry, as shown and described.

DESCRIPTION

FIG. 1 is a front, right-side, top perspective view of the article of jewelry, showing the new design;
FIG. 2 is a front elevational view thereof;
FIG. 3 is a rear-elevational view thereof;
FIG. 4 is an enlarged left-side elevational view thereof;
FIG. 5 is an enlarged right-side elevational view thereof;
FIG. 6 is a top plan view thereof;
FIG. 7 is a bottom plan view thereof;
FIG. 8 is an enlargement of area 8 in FIG. 1;
FIG. 9 is an enlargement of area 9 in FIG. 2;
FIG. 10 is an enlargement of area 10 in FIG. 3;
FIG. 11 is an enlargement of area 11 in FIG. 6; and,
FIG. 12 is an enlargement of area 12 in FIG. 7.
The long-short broken lines depict enlargement areas and form no part of the claimed design.

1 Claim, 4 Drawing Sheets



(56)

References Cited

U.S. PATENT DOCUMENTS

D172,886 S * 8/1954 Katz D11/8
 D179,945 S * 3/1957 Katz D11/9
 D248,379 S * 7/1978 Durante D11/34
 D265,803 S * 8/1982 Barr D11/8
 D265,804 S * 8/1982 Barr D11/8
 D265,805 S * 8/1982 Barr D11/8
 D265,806 S * 8/1982 Barr D11/8
 D265,807 S * 8/1982 Barr D11/8
 D313,368 S * 1/1991 Peterson D11/8
 D335,104 S * 4/1993 Coleman D11/40
 D534,453 S * 1/2007 Brown D11/3
 D584,982 S * 1/2009 Miloradovic D11/3
 D588,488 S * 3/2009 Ellia D11/13
 D624,841 S * 10/2010 Murray D11/83
 D625,215 S * 10/2010 Murray D11/83
 D682,726 S * 5/2013 Bulgari D11/6
 D687,735 S * 8/2013 Frigerio D11/3
 D719,866 S * 12/2014 Audette D11/13
 D721,982 S * 2/2015 Yatsugi-Kang D11/16
 D775,544 S * 1/2017 Blootacker D11/79
 D780,002 S * 2/2017 Verdeille D11/6

D780,007 S * 2/2017 Marchand D11/13
 D827,480 S * 9/2018 Galli D11/7
 D837,084 S * 1/2019 Zhang D11/12
 D845,817 S * 4/2019 Messika D11/7
 D872,623 S * 1/2020 Tersch D11/13
 D883,129 S * 5/2020 Kwon D11/6
 D893,339 S * 8/2020 Hill D11/13
 D899,293 S * 10/2020 Sivriere D11/86
 D906,862 S * 1/2021 Sivriere D11/41
 D914,534 S * 3/2021 Sivriere D11/43
 D928,017 S * 8/2021 Sivriere D11/43
 D928,018 S * 8/2021 Sivriere D11/43
 D937,117 S * 11/2021 Sivriere D11/43
 2015/0020543 A1 * 1/2015 Kaupp A44C 13/00
 63/3.1

OTHER PUBLICATIONS

Diamonds by the Yard Dangle Bracelet, available 2022, online, site visited Mar. 7, 2022. Available online, URL: <https://www.sachjewelry.com/collections/bracelets/products/diamonds-by-the-yard-dangle-bracelet> (Year: 2022).*

* cited by examiner

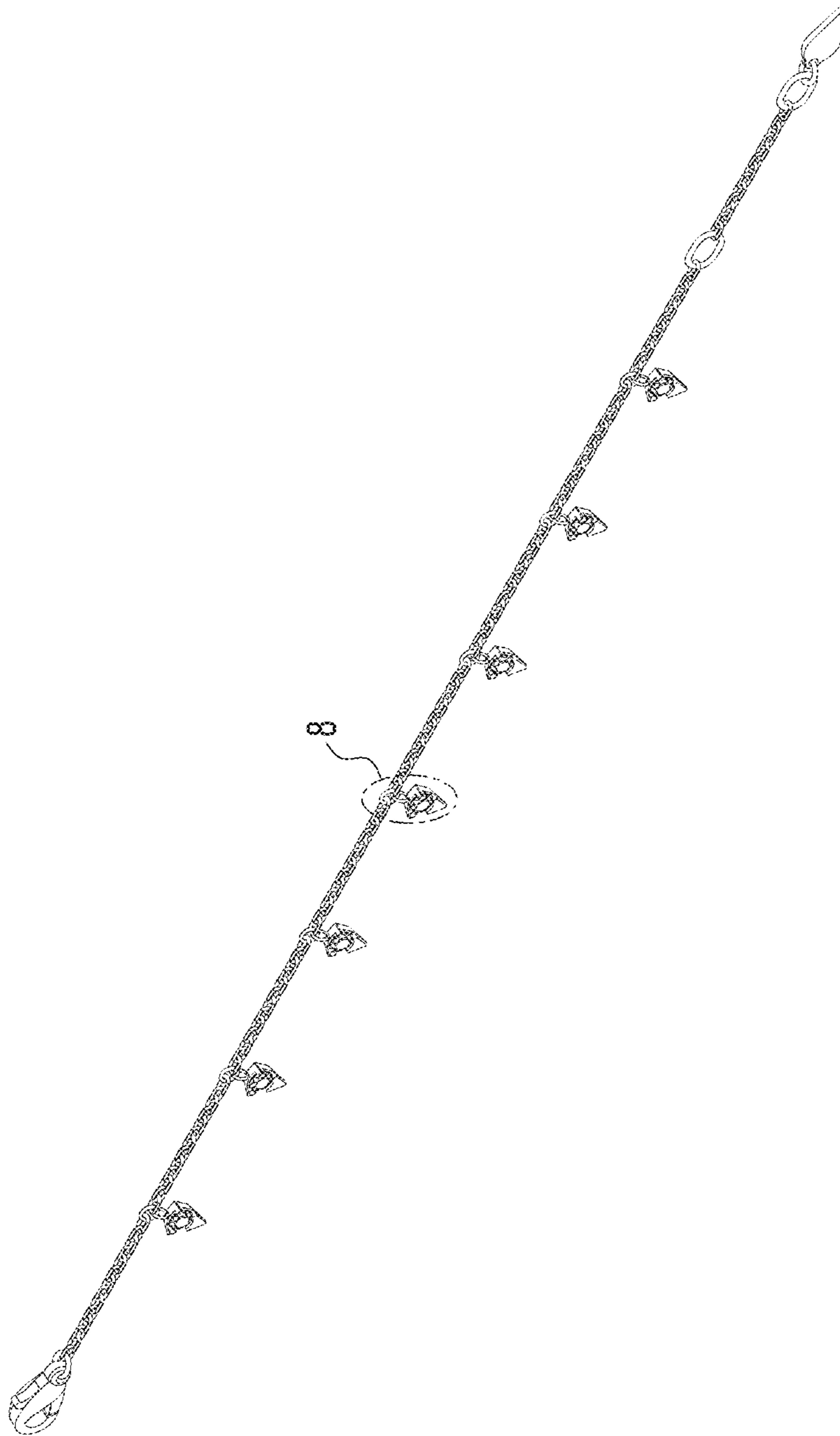


FIG. 1

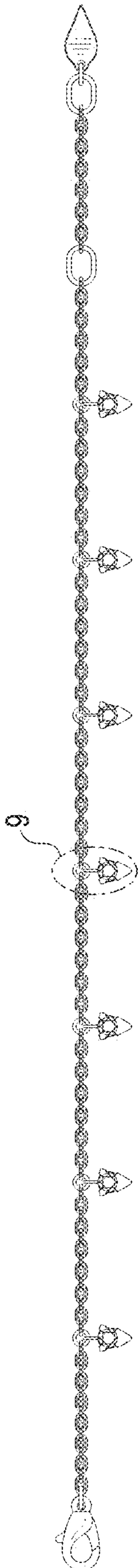


FIG. 2

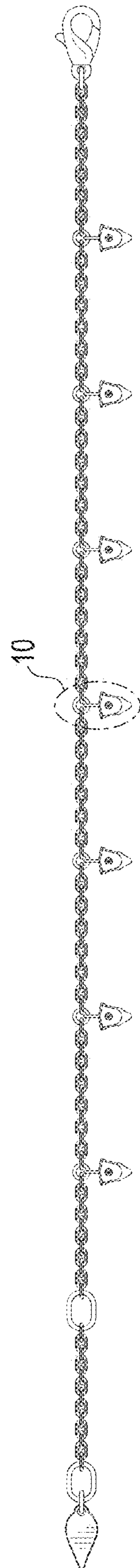


FIG. 3

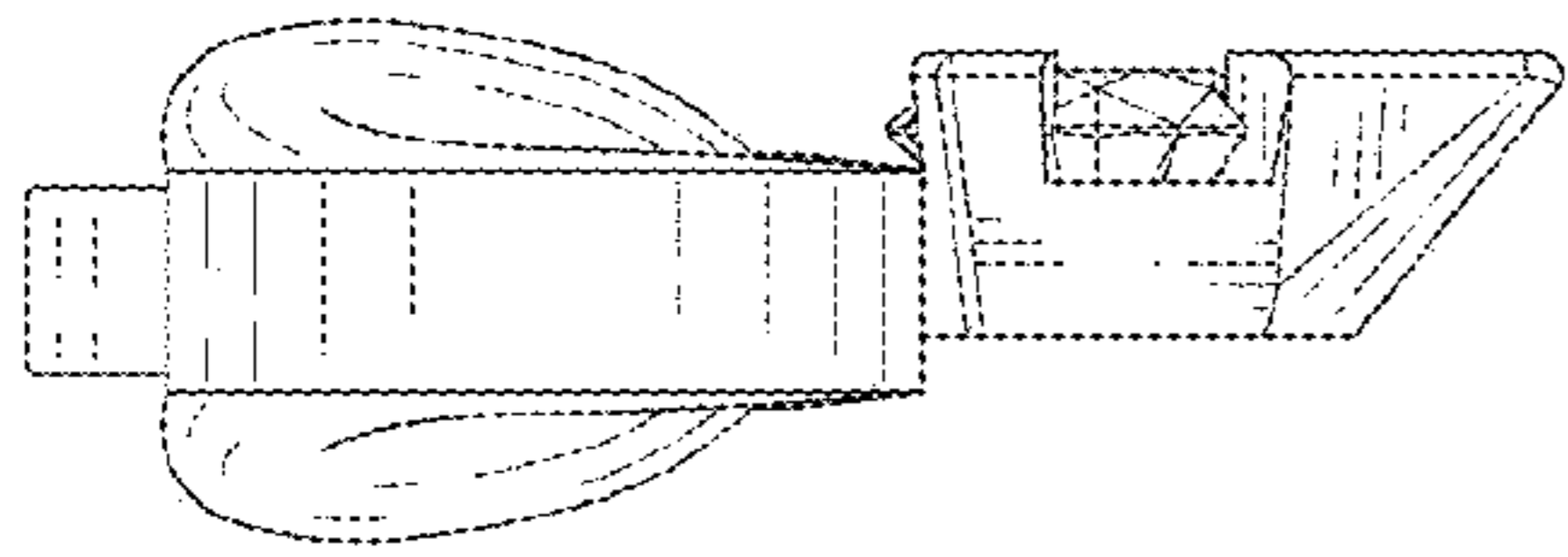


FIG. 4

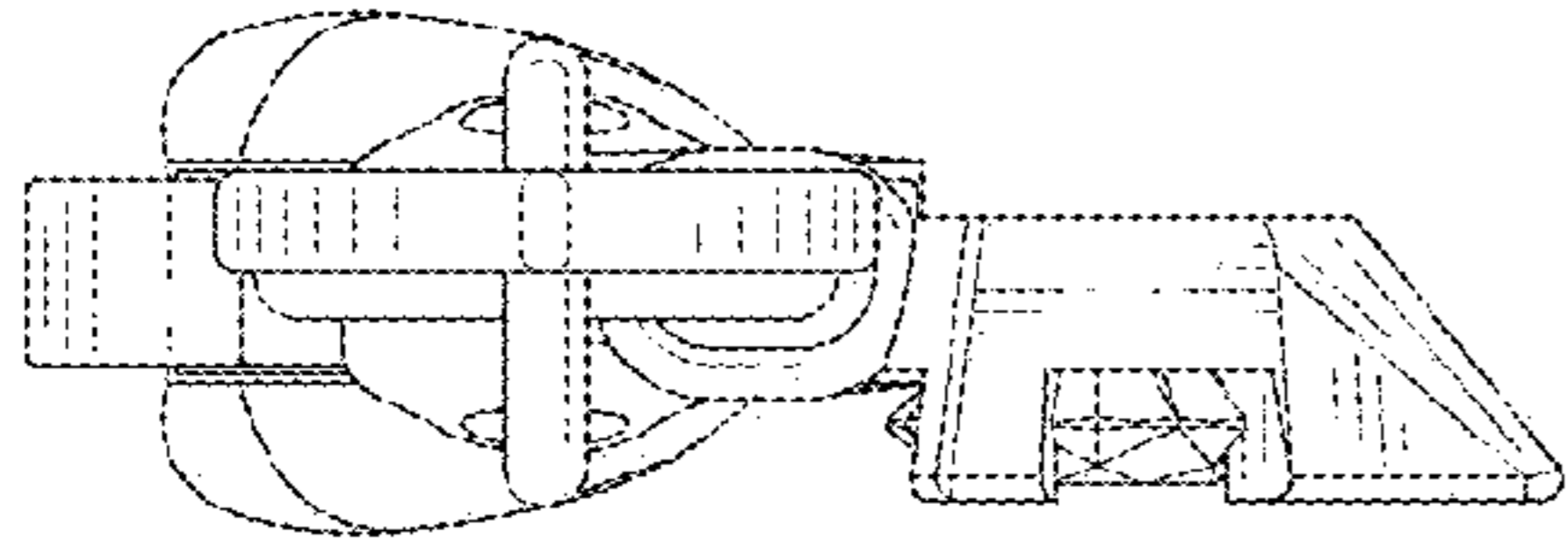


FIG. 5

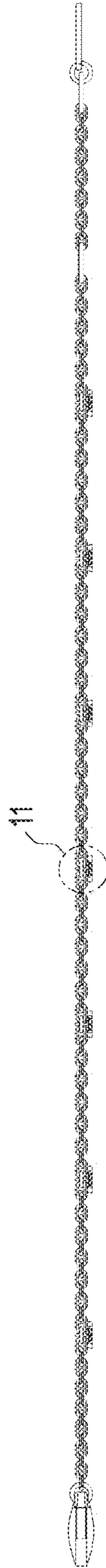


FIG. 6

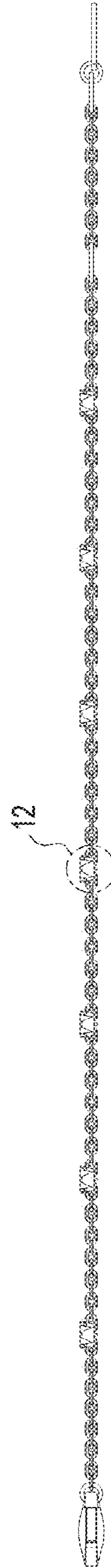


FIG. 7

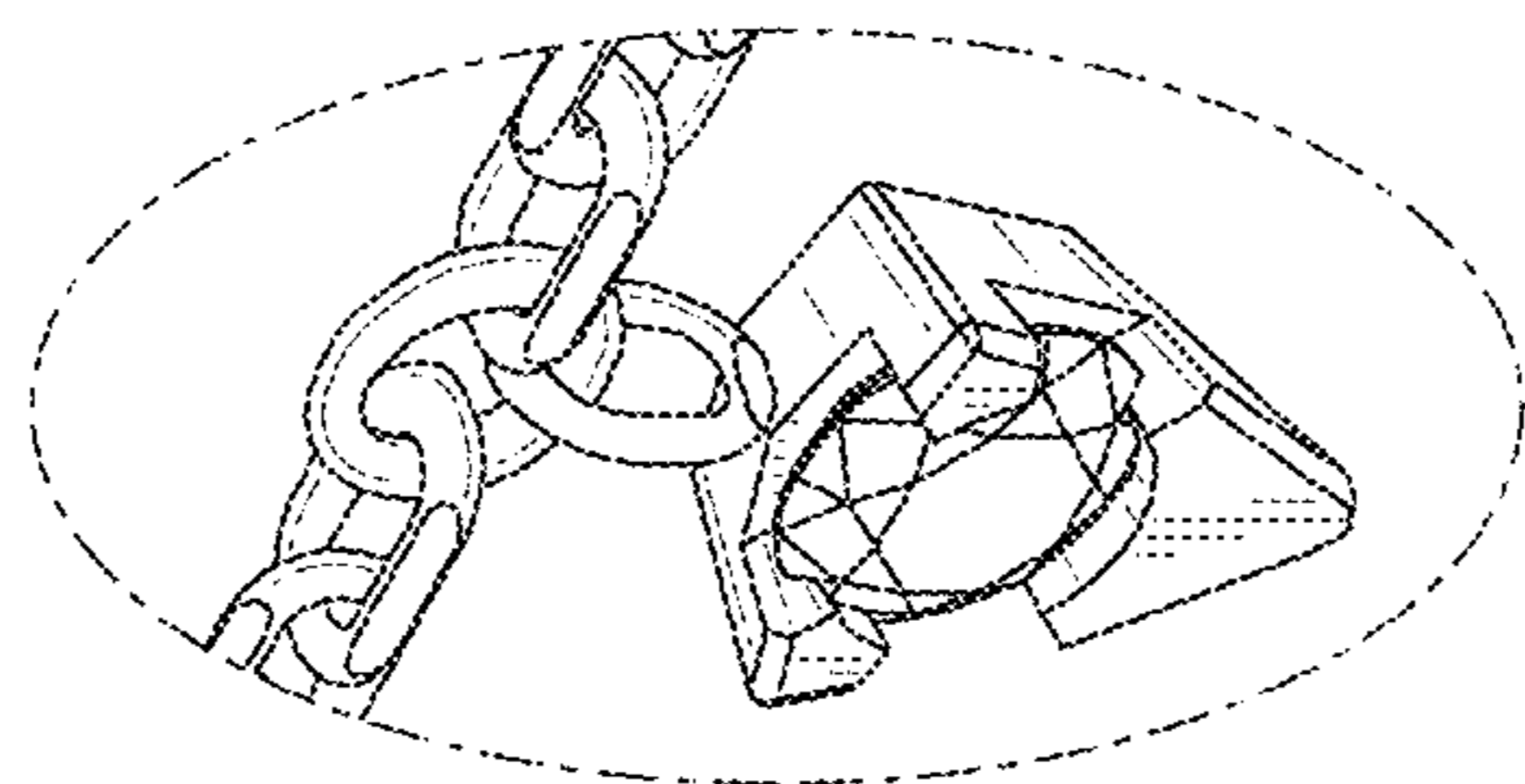


FIG. 8

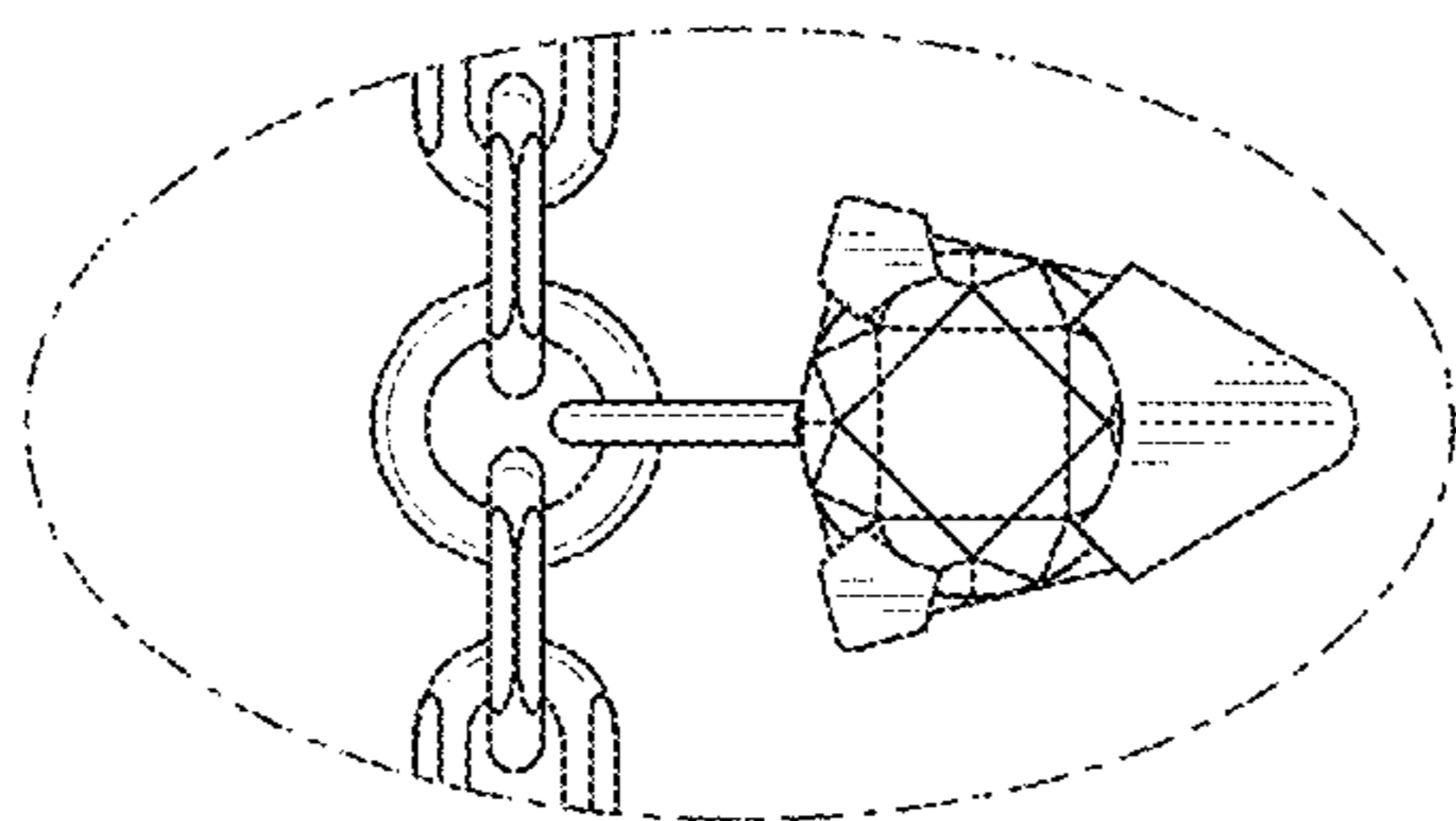


FIG. 9

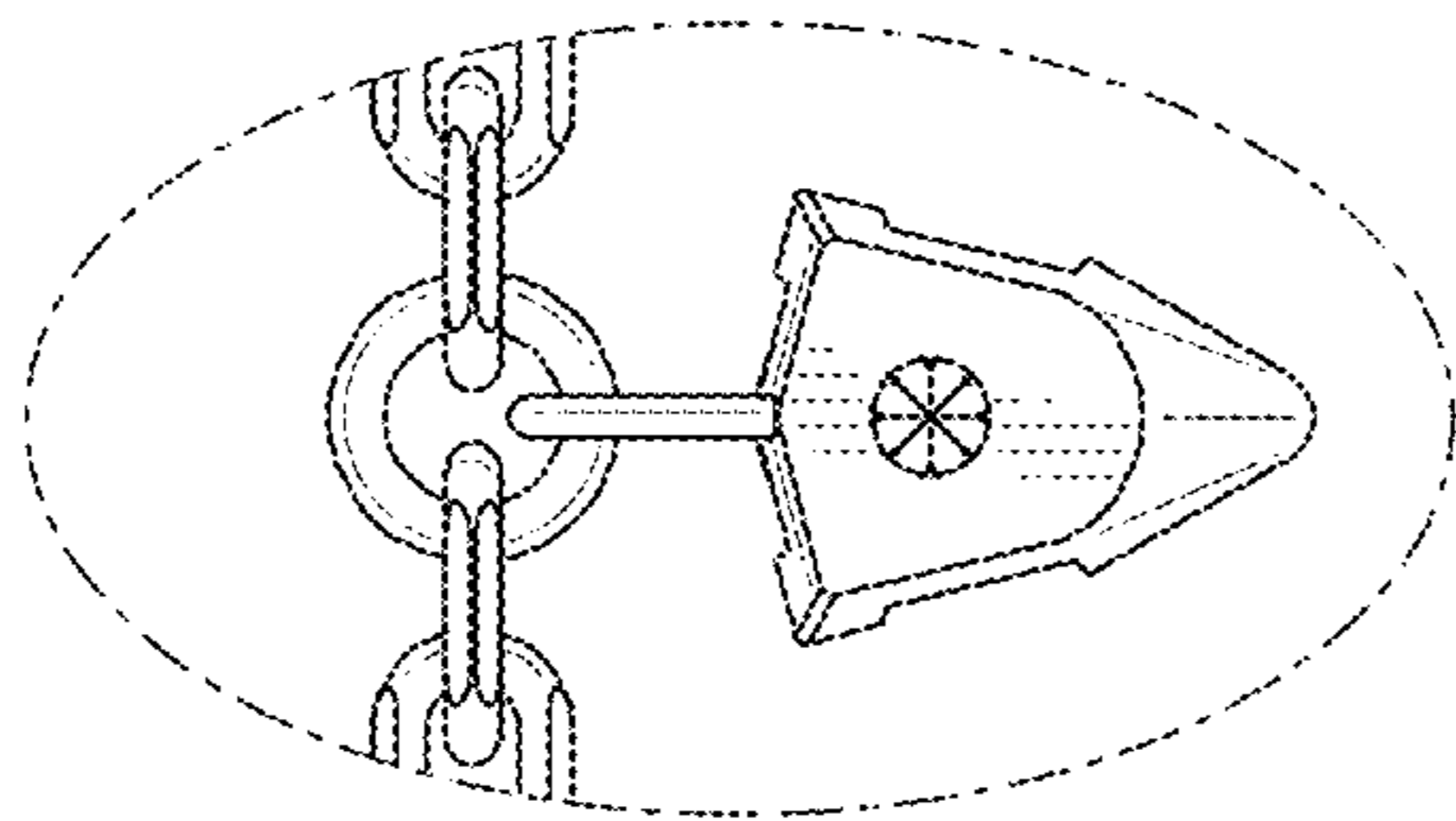


FIG. 10

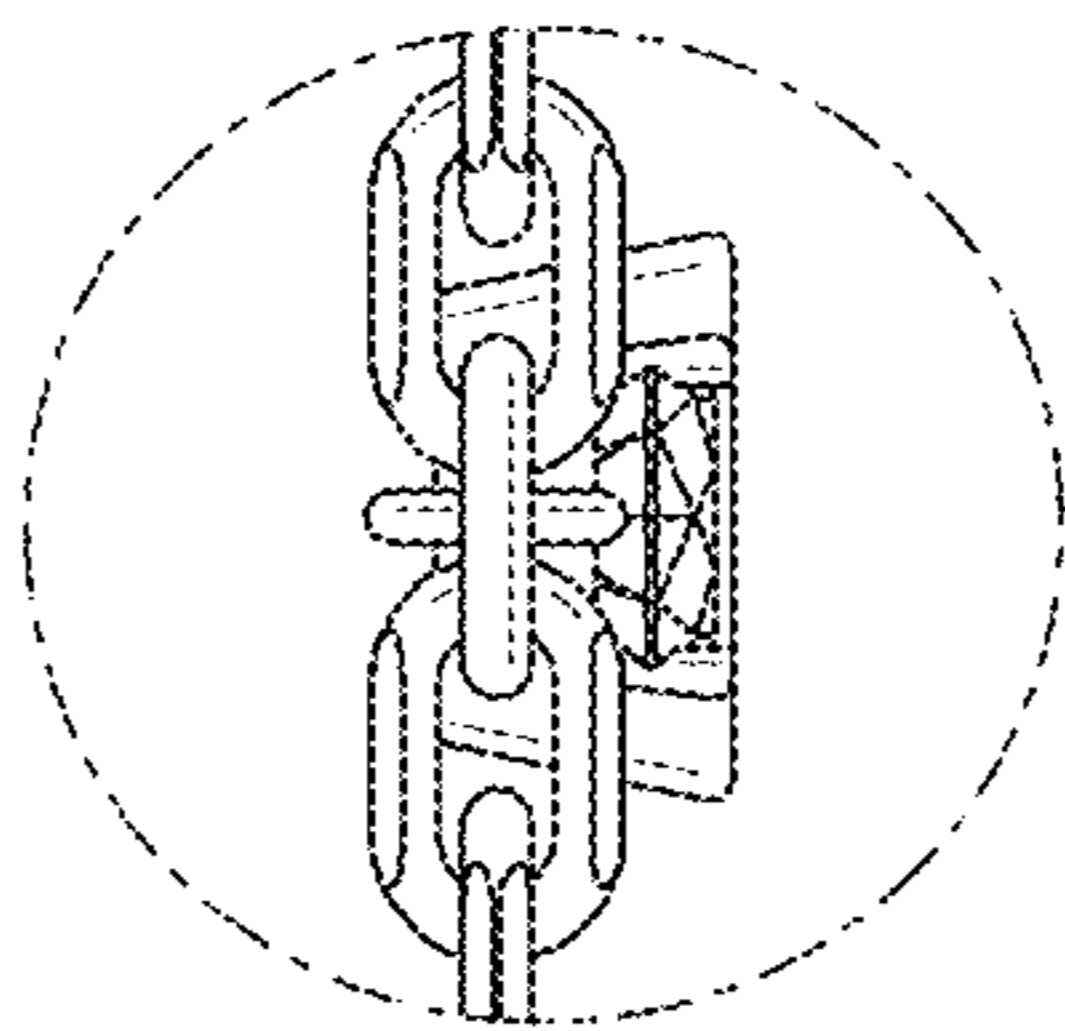


FIG. 11

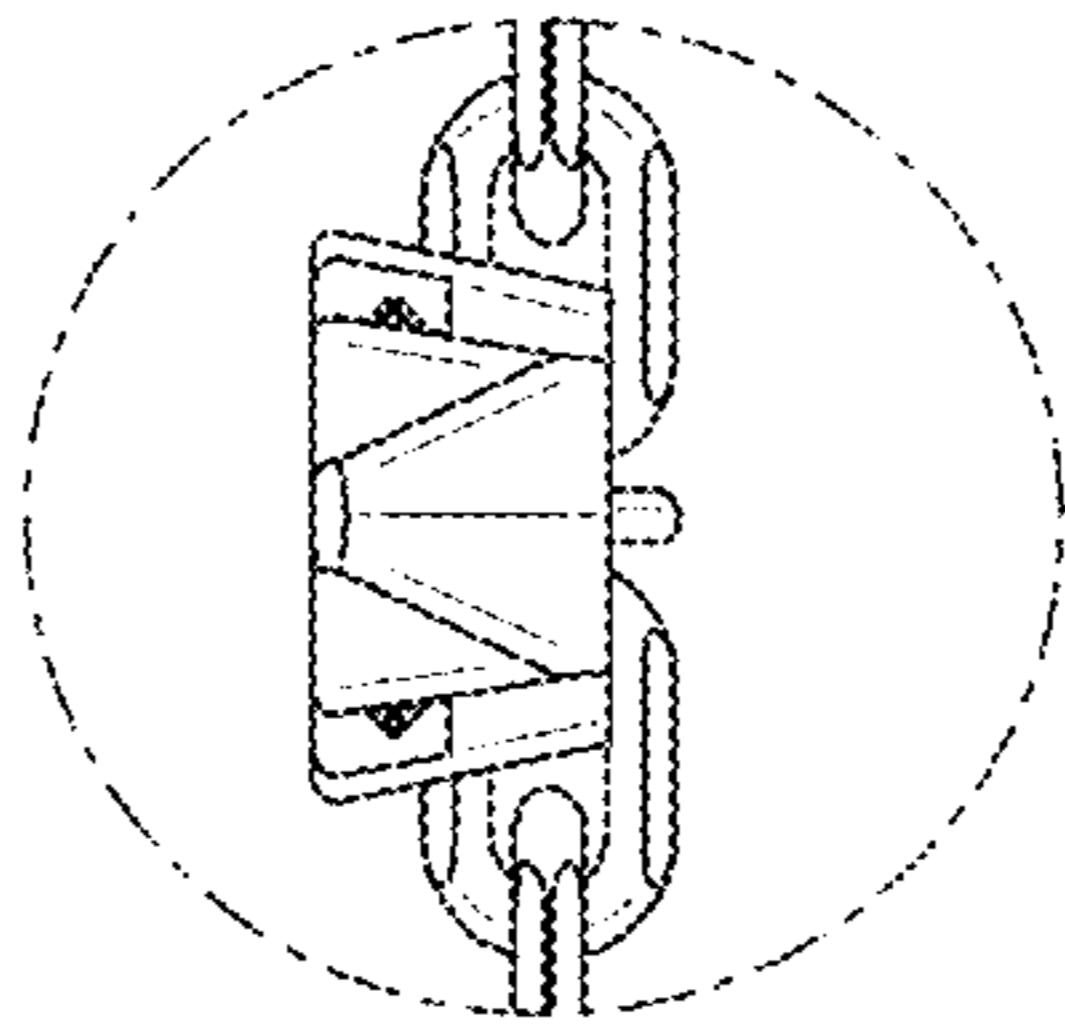


FIG. 12