



US00D961440S

(12) **United States Design Patent** (10) **Patent No.:** **US D961,440 S**
Sivriere (45) **Date of Patent:** **** Aug. 23, 2022**

(54) **ARTICLE OF JEWELRY**

(71) Applicant: **RICHEMONT INTERNATIONAL SA**, Villars-sur-Glane (CH)

(72) Inventor: **Stéphanie Sivriere**, Geneva (CH)

(73) Assignee: **RICHEMONT INTERNATIONAL SA**, Villars-sur-Glane (CH)

(**) Term: **15 Years**

(21) Appl. No.: **29/733,505**

(22) Filed: **May 4, 2020**

(30) **Foreign Application Priority Data**

Mar. 27, 2020 (WO) WIPO93644

(51) **LOC (13) Cl.** **11-01**

(52) **U.S. Cl.**
USPC **D11/16; D11/8**

(58) **Field of Classification Search**
USPC D11/1-23, 43, 79, 93, 94, 24, 25
CPC A44C 5/00; A44C 5/0007; A44C 5/0069;
A44C 5/0076; A44C 5/02; A44C 5/027;
A44C 5/04; A44C 5/08
See application file for complete search history.

(56) **References Cited**

U.S. PATENT DOCUMENTS

- 1,477,235 A * 12/1923 Ballou, Jr. A44C 11/00
63/3.1
- D100,665 S * 8/1936 Kelley D11/8
- 2,052,381 A * 8/1936 Chernow A44C 5/02
D11/12
- D146,584 S * 4/1947 Philippe D11/8
- D147,393 S * 9/1947 Arpels D11/8
- D150,588 S * 8/1948 Katz D11/43
- D151,709 S * 11/1948 Philippe D11/9
- D154,030 S * 6/1949 Duvalet D11/90
- D158,320 S * 4/1950 Philippe D11/8
- D170,360 S * 9/1953 Levin D11/79

(Continued)

FOREIGN PATENT DOCUMENTS

- KR 3010850200003 * 12/2020
- KR 3011067560003 * 4/2021

OTHER PUBLICATIONS

Piaget: Journey of the Sun, available Jun. 22, 2021, online, site visited Mar. 4, 2022. Available online, URL: [https://curatedition.com/watches-and-jewellery/piaget-sunlight-collection-journey-of-the-sun/\(Year: 2021\).](https://curatedition.com/watches-and-jewellery/piaget-sunlight-collection-journey-of-the-sun/(Year: 2021).)*

(Continued)

Primary Examiner — W. A. Teddy Falloway

Assistant Examiner — Sarah J Ault

(74) *Attorney, Agent, or Firm* — Oliff PLC

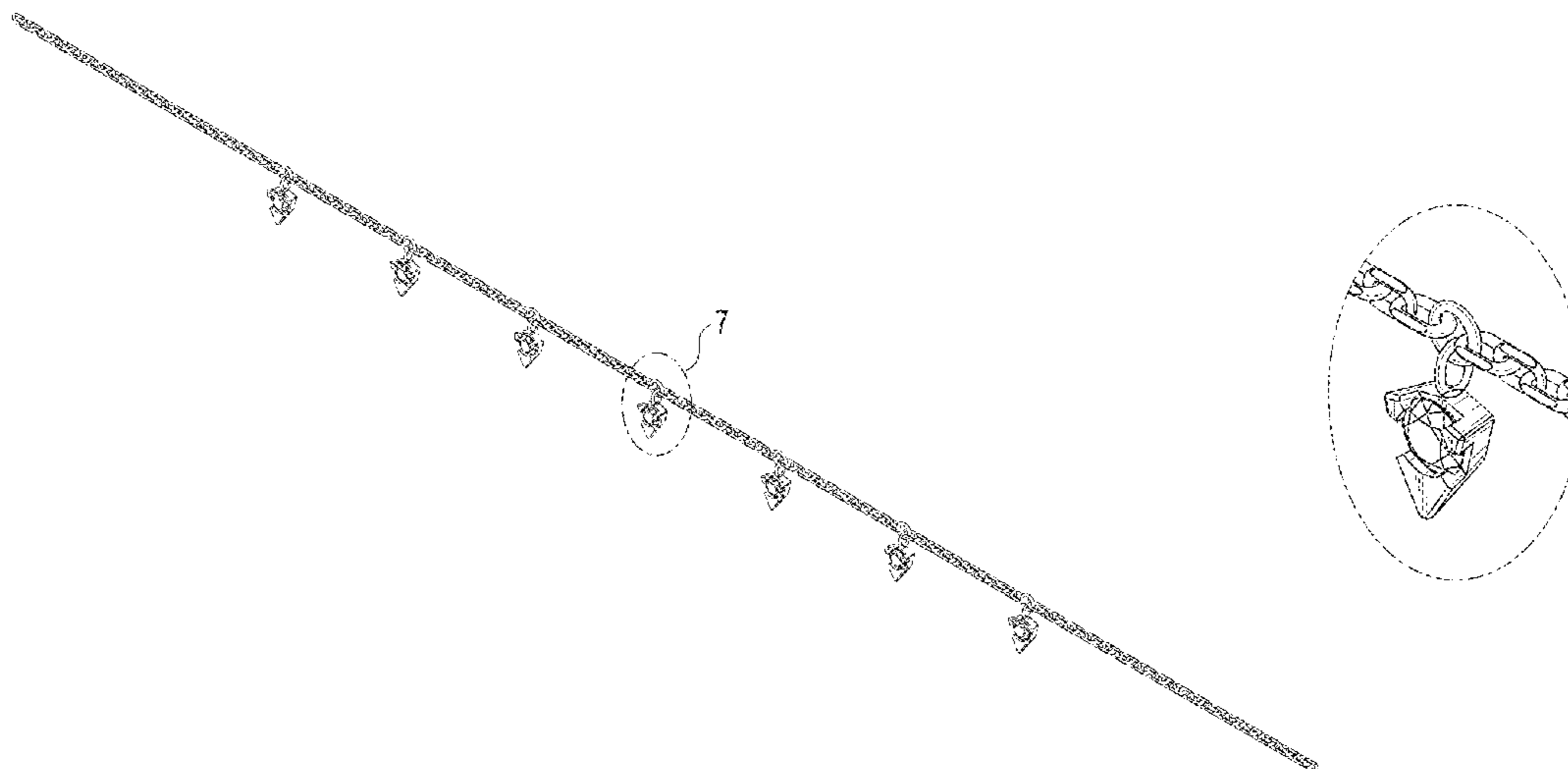
(57) **CLAIM**

The ornamental design for an article of jewelry, as shown and described.

DESCRIPTION

FIG. 1 is a front, right-side, top perspective view of the article of jewelry, showing the new design;
 FIG. 2 is a front elevational view thereof;
 FIG. 3 is a rear-elevational view thereof;
 FIG. 4 is an enlarged left-side elevational view thereof, the enlarged right-side elevational view being a mirror-image thereof;
 FIG. 5 is a top plan view thereof;
 FIG. 6 is a bottom plan view thereof;
 FIG. 7 is an enlargement of area 7 in FIG. 1;
 FIG. 8 is an enlargement of area 8 in FIG. 2;
 FIG. 9 is an enlargement of area 9 in FIG. 3;
 FIG. 10 is an enlargement of area 10 in FIG. 5; and,
 FIG. 11 is an enlargement of area 11 in FIG. 6.
 The long-short broken lines depict enlargement areas and form no part of the claimed design.

1 Claim, 4 Drawing Sheets



(56)

References Cited

U.S. PATENT DOCUMENTS

D171,504 S * 2/1954 Katz D11/43
 D172,886 S * 8/1954 Katz D11/8
 D179,945 S * 3/1957 Katz D11/9
 D248,379 S * 7/1978 Durante D11/34
 D265,803 S * 8/1982 Barr D11/8
 D265,804 S * 8/1982 Barr D11/8
 D265,805 S * 8/1982 Barr D11/8
 D265,806 S * 8/1982 Barr D11/8
 D265,807 S * 8/1982 Barr D11/8
 D313,368 S * 1/1991 Peterson D11/8
 D335,104 S * 4/1993 Coleman D11/40
 D534,453 S * 1/2007 Brown D11/3
 D588,488 S * 3/2009 Ellia D11/13
 D624,841 S * 10/2010 Murray D11/83
 D625,215 S * 10/2010 Murray D11/83
 D719,866 S * 12/2014 Audette D11/13
 D780,002 S * 2/2017 Verdeille D11/6
 D837,084 S * 1/2019 Zhang D11/12

D845,817 S * 4/2019 Messika D11/7
 D883,129 S * 5/2020 Kwon D11/6
 D893,339 S * 8/2020 Hill D11/13
 D899,293 S * 10/2020 Sivriere D11/86
 D906,862 S * 1/2021 Sivriere D11/41
 D914,534 S * 3/2021 Sivriere D11/43
 D928,017 S * 8/2021 Sivriere D11/43
 D928,018 S * 8/2021 Sivriere D11/43
 D937,117 S * 11/2021 Sivriere D11/43
 2015/0020543 A1* 1/2015 Kaupp A44C 13/00
 63/3.1

OTHER PUBLICATIONS

Diamonds by the Yard Dangle Bracelet, available 2022, online, site visited Mar. 4, 2022. Available online, URL: <https://www.sachjewelry.com/collections/bracelets/products/diamonds-by-the-yard-dangle-bracelet> (Year: 2022).*

* cited by examiner

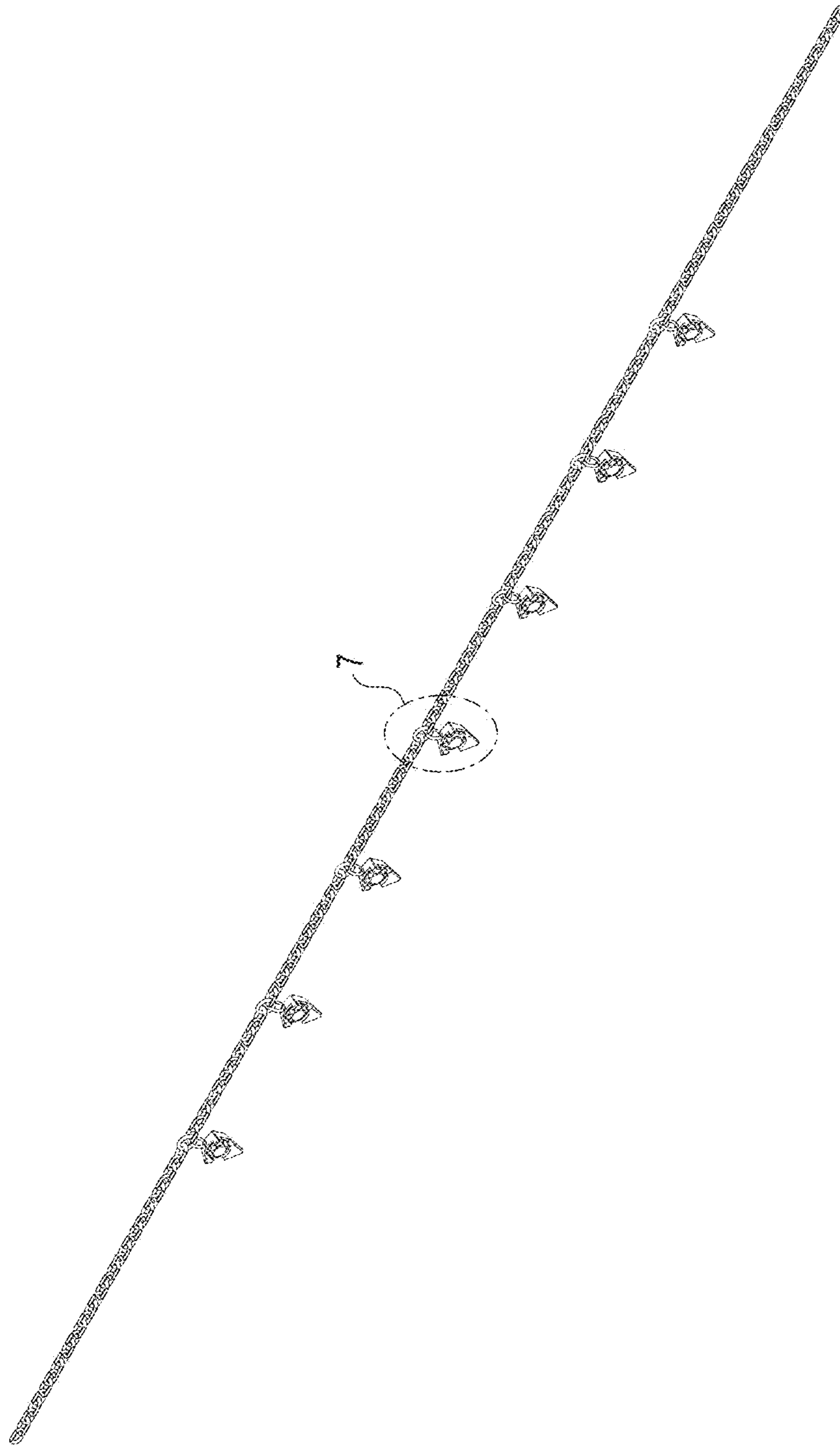


FIG. 1

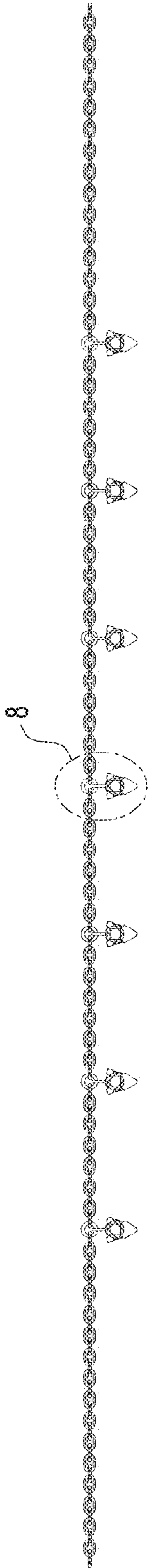


FIG. 2

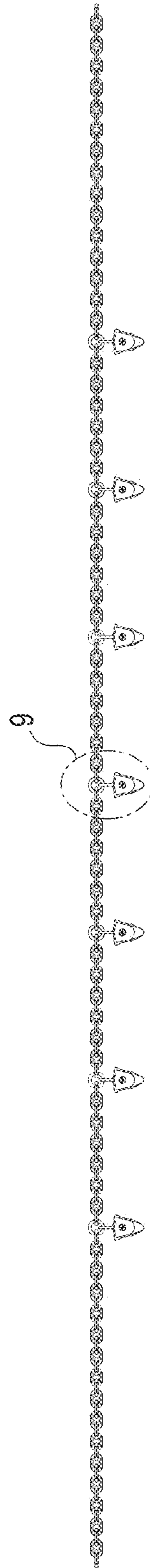


FIG. 3

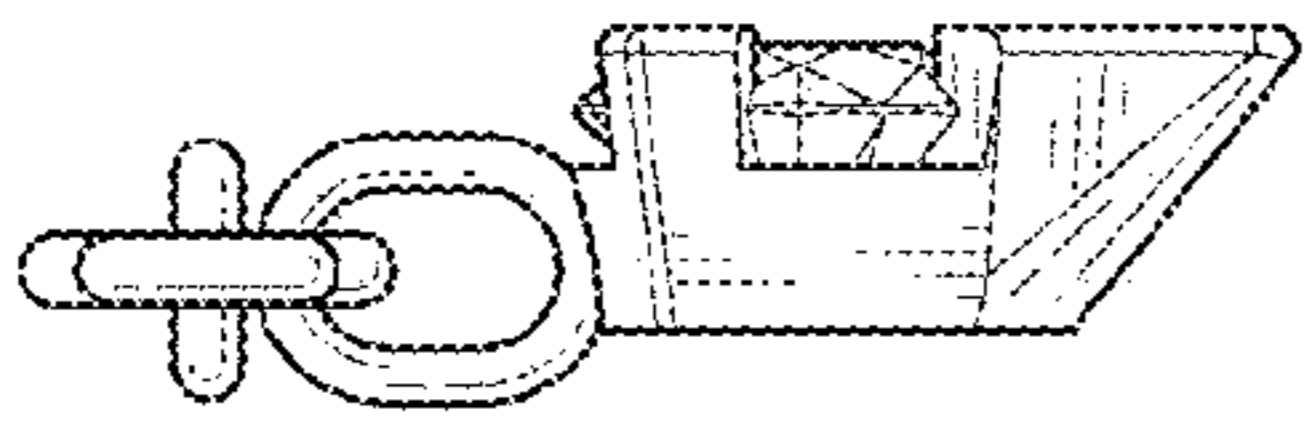


FIG. 4

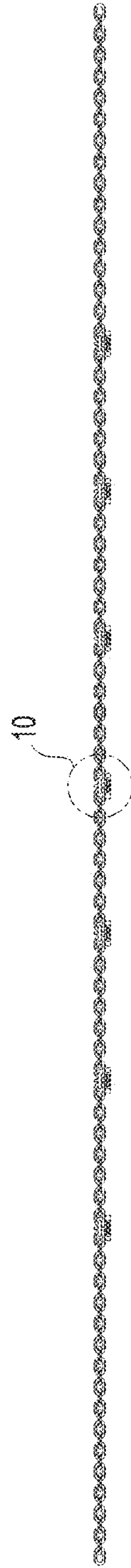


FIG. 5

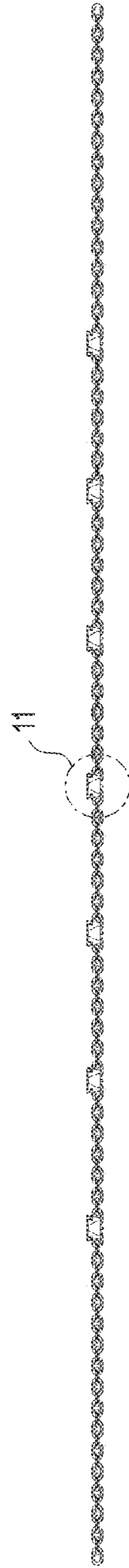


FIG. 6

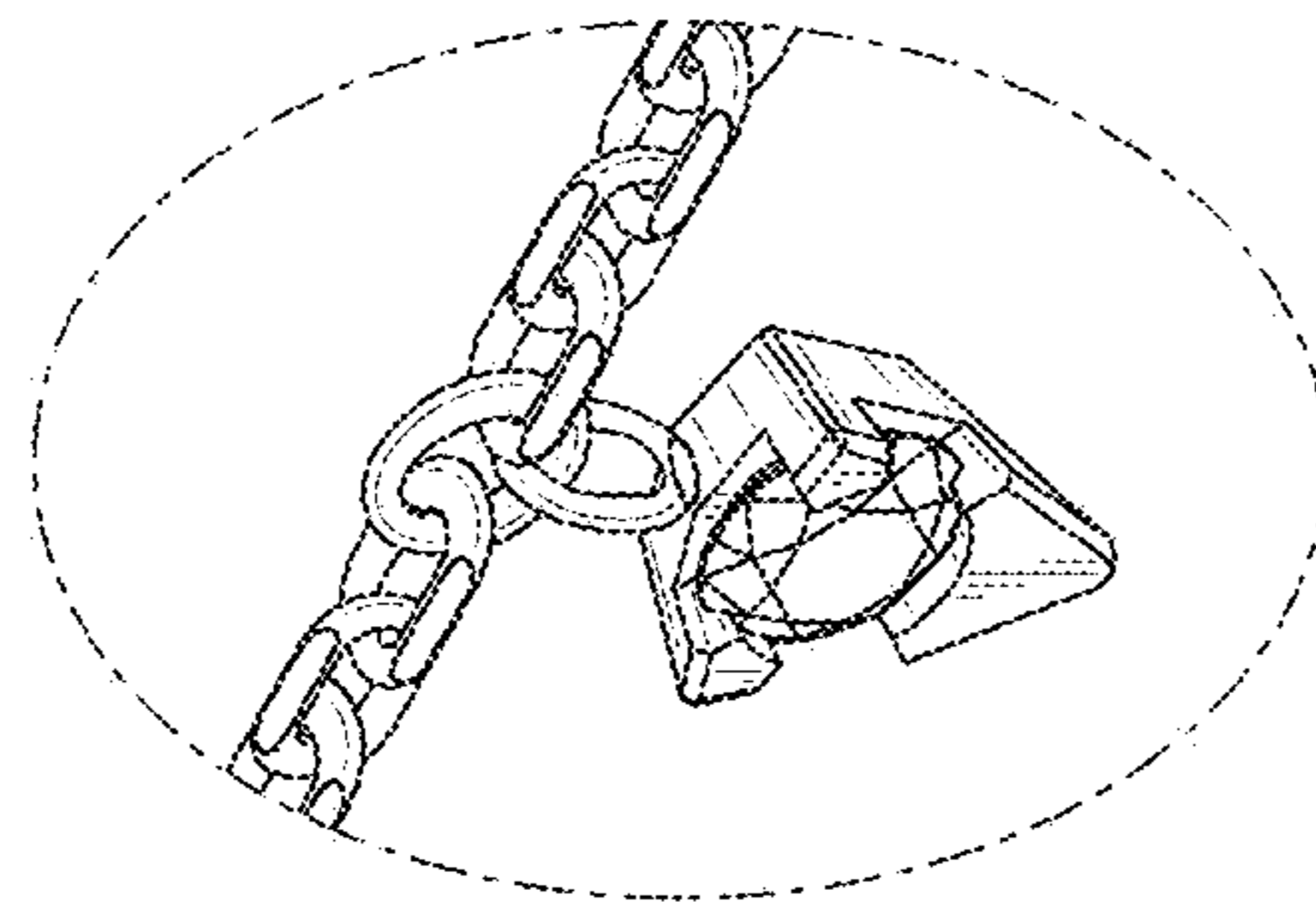


FIG. 7

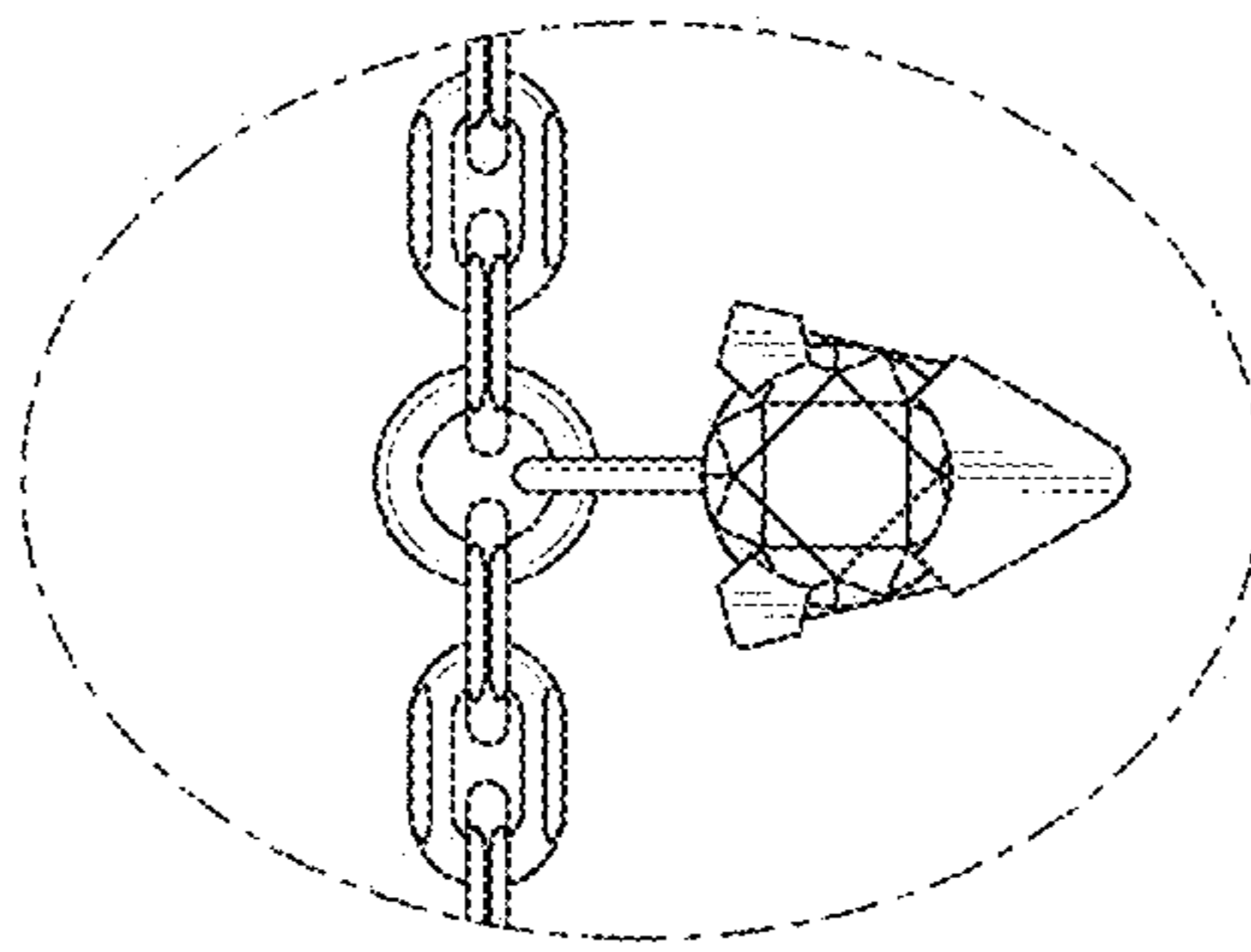


FIG. 8

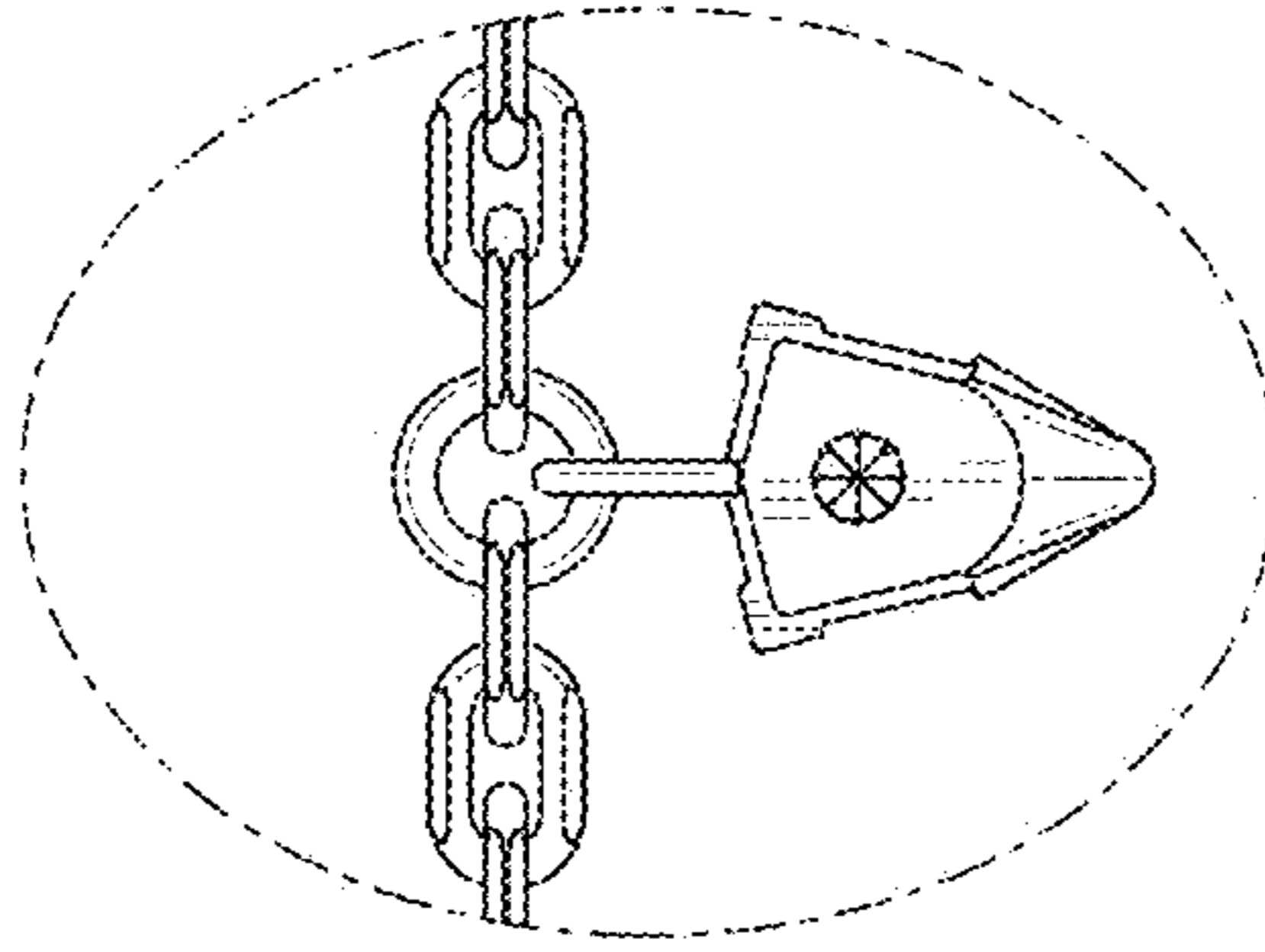


FIG. 9

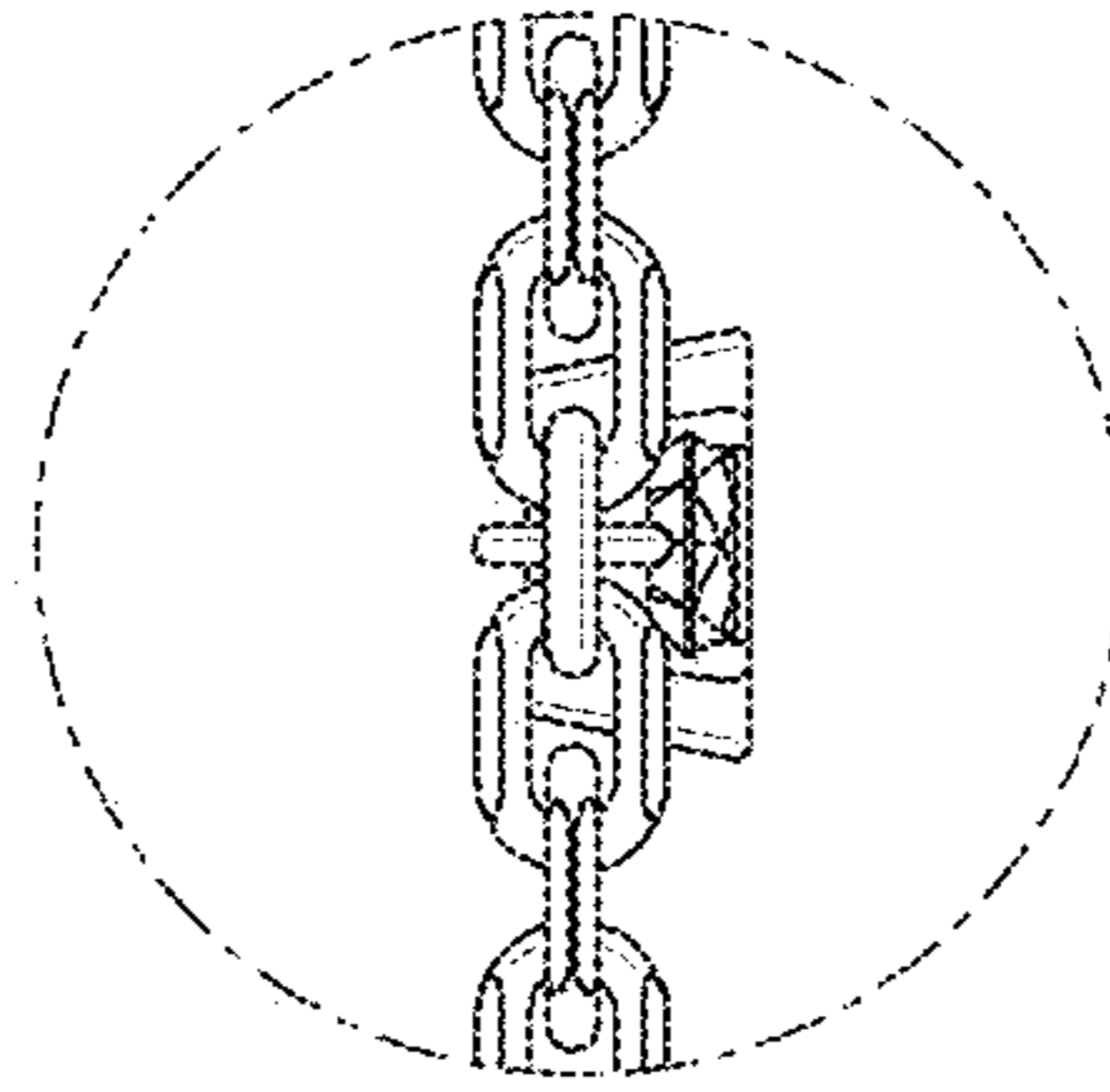


FIG. 10

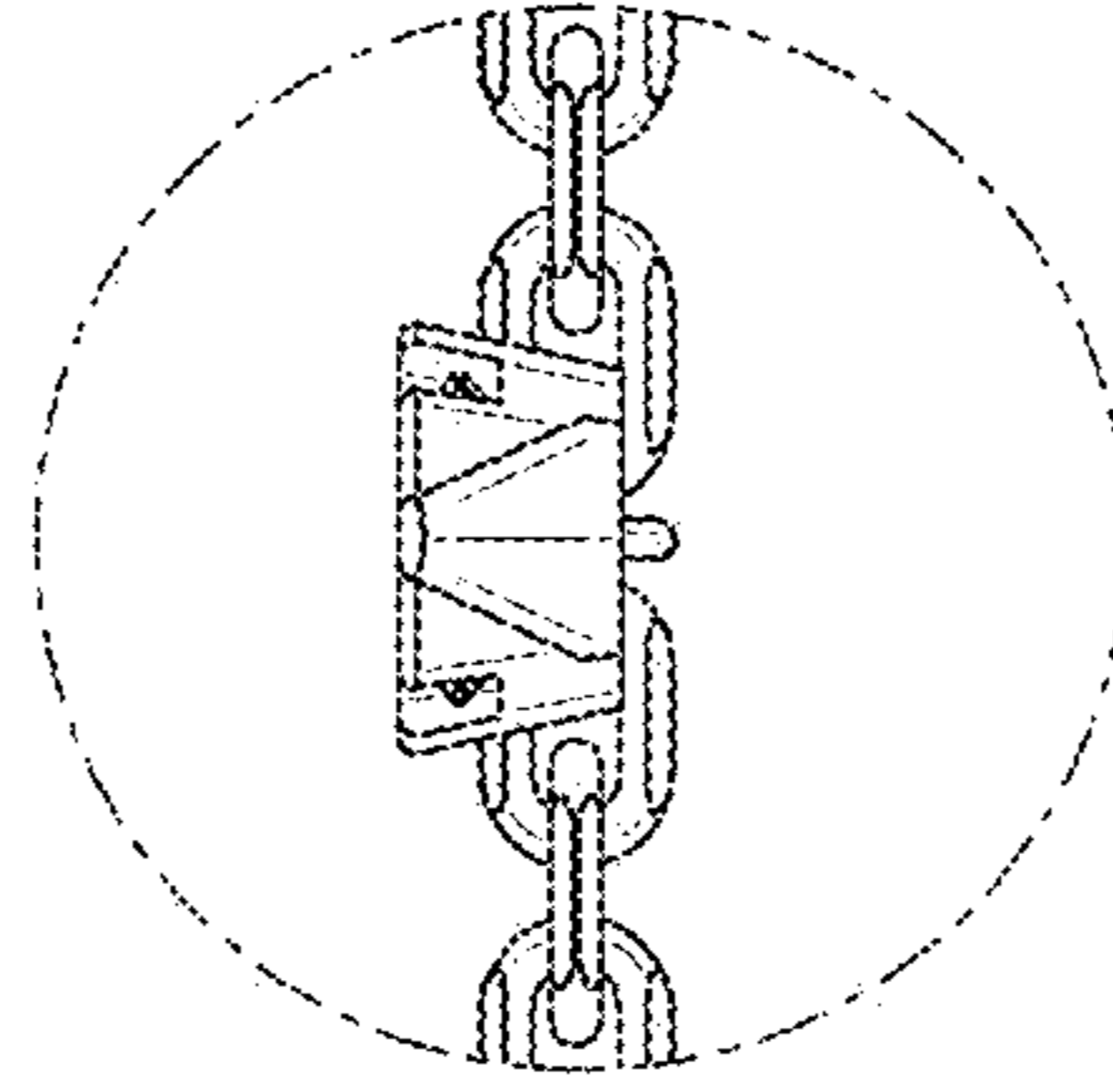


FIG. 11