



US00D961438S

(12) **United States Design Patent** (10) **Patent No.:** **US D961,438 S**
Weng (45) **Date of Patent:** **** Aug. 23, 2022**

(54) **SMART WATCH BAND WITH PROTECTIVE CASE**

(71) Applicant: **SHENZHEN GUANGYIPENG TECHNOLOGY CO., LTD.**, Shenzhen (CN)

(72) Inventor: **Jie Weng**, Shenzhen (CN)

(73) Assignee: **SHENZHEN GUANGYIPENG TECHNOLOGY CO., LTD.**, Shenzhen (CN)

(**) Term: **15 Years**

(21) Appl. No.: **29/794,274**

(22) Filed: **Jun. 11, 2021**

(51) **LOC (13) Cl.** **11-01**

(52) **U.S. Cl.**
USPC **D11/3**

(58) **Field of Classification Search**
USPC D11/1-5; D14/344; D10/30, 31, 32, 38
CPC A44C 5/00; A44C 5/0007; A44C 5/0015;
A44C 5/0053; A44C 5/147; A44C 5/16;
G04B 37/005; G04B 37/0058
See application file for complete search history.

(56) **References Cited**

U.S. PATENT DOCUMENTS

D317,872 S	*	7/1991	Dobashi	D10/32
D331,020 S	*	11/1992	Ishii	D10/30
D469,030 S		1/2003	Krakoff		
D772,730 S	*	11/2016	Lai	D10/38
D802,467 S		11/2017	Novak		
D854,960 S	*	7/2019	Yu	D11/3
D856,160 S	*	8/2019	Yu	D10/32
D932,321 S	*	10/2021	Jung	D11/3
D947,183 S	*	3/2022	Wu	D14/344
D949,711 S	*	4/2022	Huang	D11/3

OTHER PUBLICATIONS

Clayco Vertex Series Compatible with Apple Watch Band, www.amazon.com, available since at least Jun. 30, 2021. Site URL:<“https://www.amazon.com/dp/B09QW91QR3/ref=sspa_dk_detail_0?pd_rd_i=B09QW91QR3”> acquired on May 26, 2022. (Year: 2021).*

* cited by examiner

Primary Examiner — Llorelys Martinez

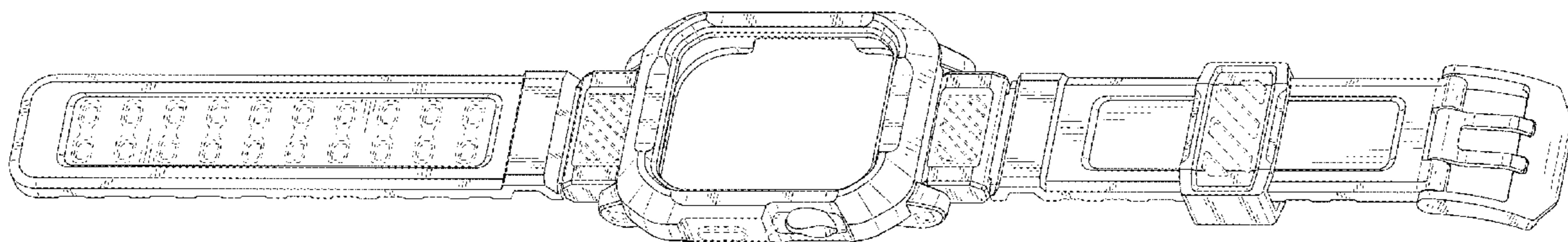
(57) **CLAIM**

The ornamental design for a smart watch band with protective case, as shown and described.

DESCRIPTION

FIG. 1 is a perspective view of a smart watch band with protective case showing my new design; FIG. 2 is another perspective view thereof; FIG. 3 is a front elevational view thereof; FIG. 4 is a rear elevational view thereof; FIG. 5 is a left side elevational view thereof; FIG. 6 is a right side elevational view thereof; FIG. 7 is a top plan view thereof; FIG. 8 is a bottom plan view thereof; FIG. 9 is another perspective view of the smart watch band with protective case of FIG. 1, shown in an alternate configuration; and, FIG. 10 is another perspective view of the smart watch band with protective case of FIG. 1, shown in an alternate configuration. The broken lines in the drawings represent portions of the smart watch band with protective case that form no part of the claimed design. The other broken lines illustrating a device in FIGS. 9 and 10 represent environmental subject matter only that forms no part of the claimed design.

1 Claim, 10 Drawing Sheets



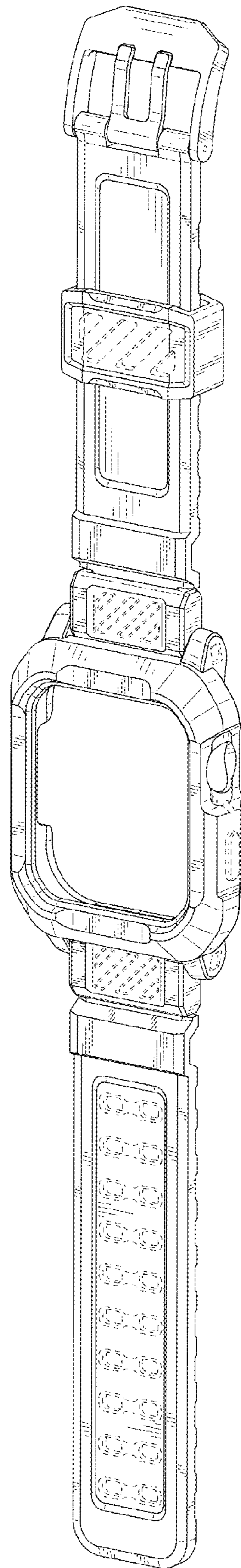


FIG. 1

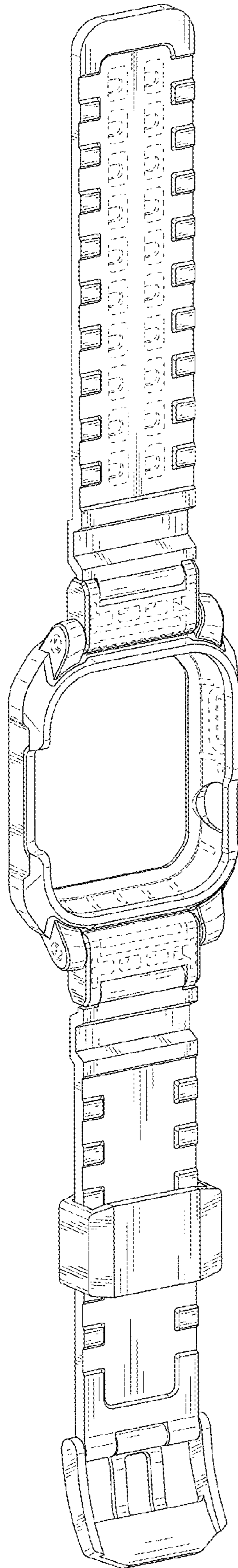


FIG. 2

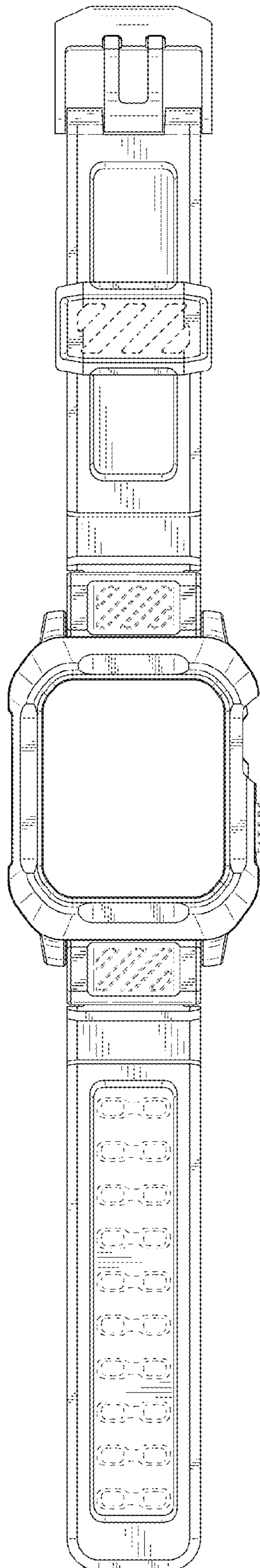


FIG. 3

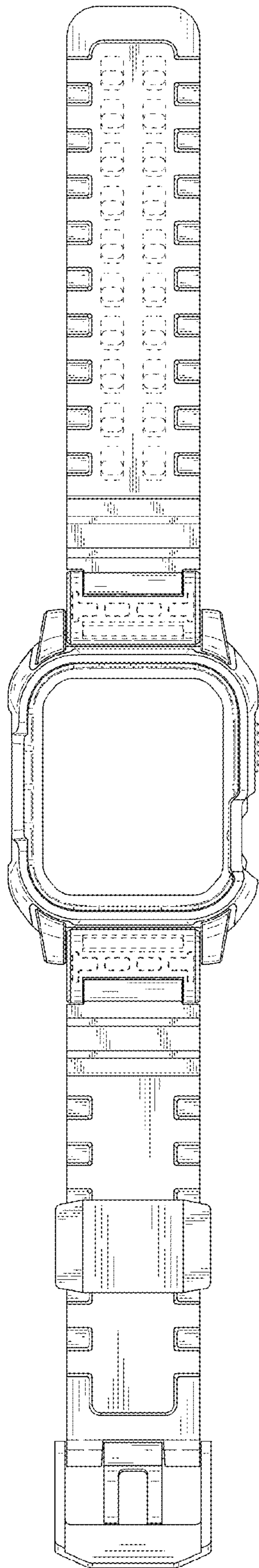


FIG. 4

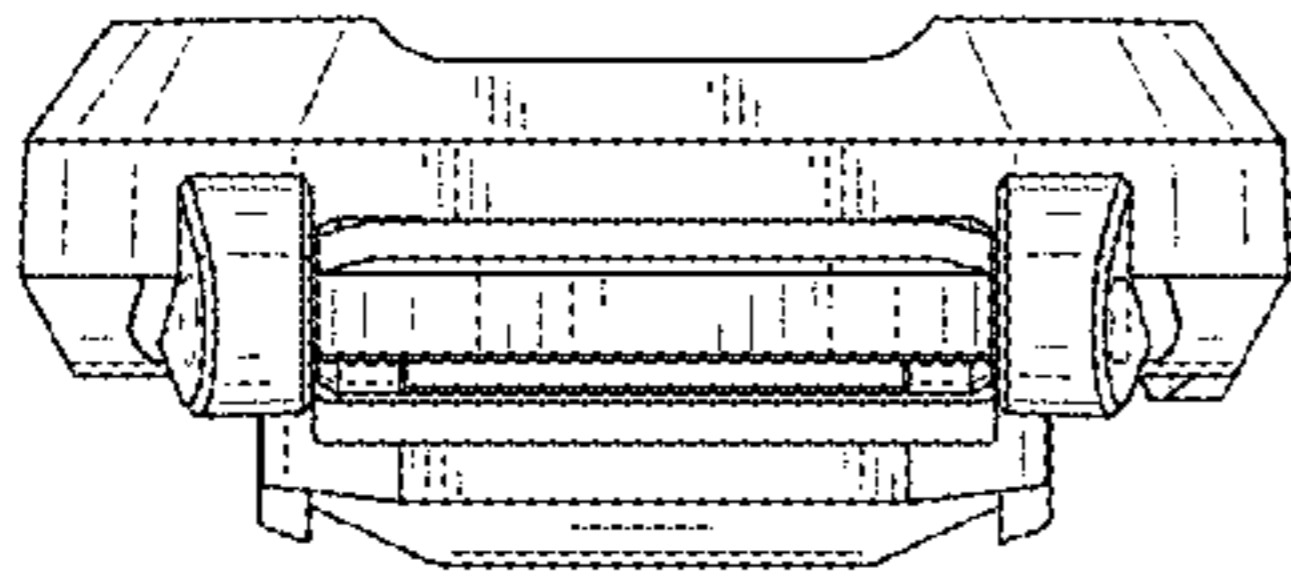


FIG. 5

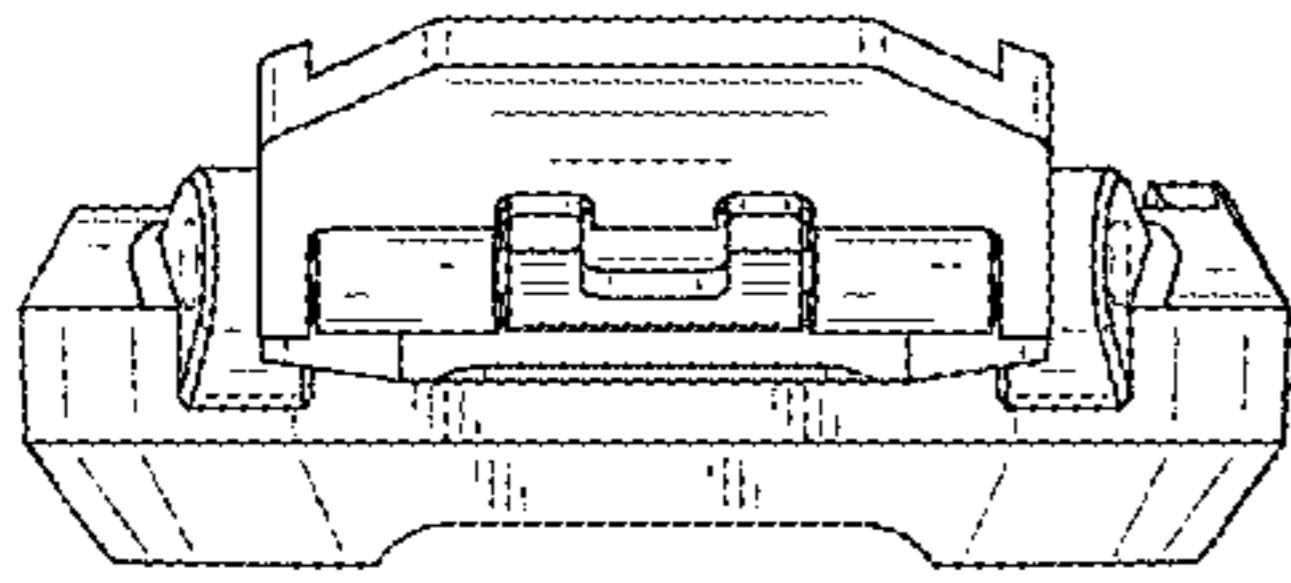


FIG. 6

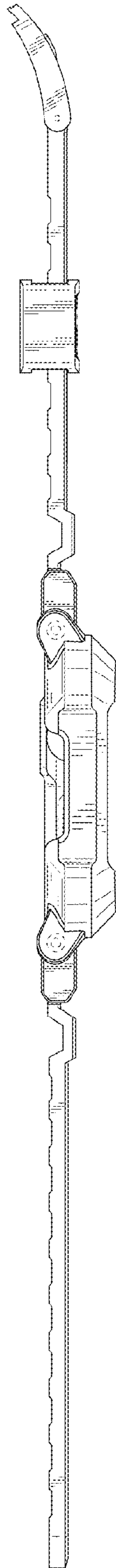


FIG. 7

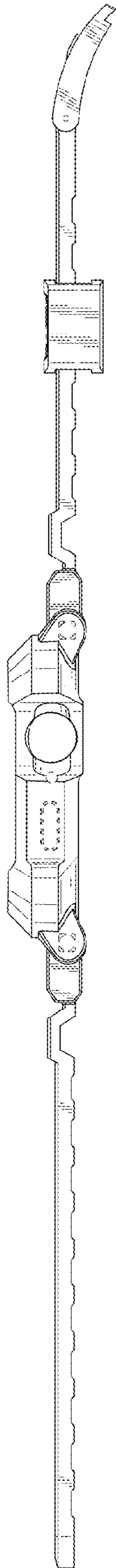


FIG. 8

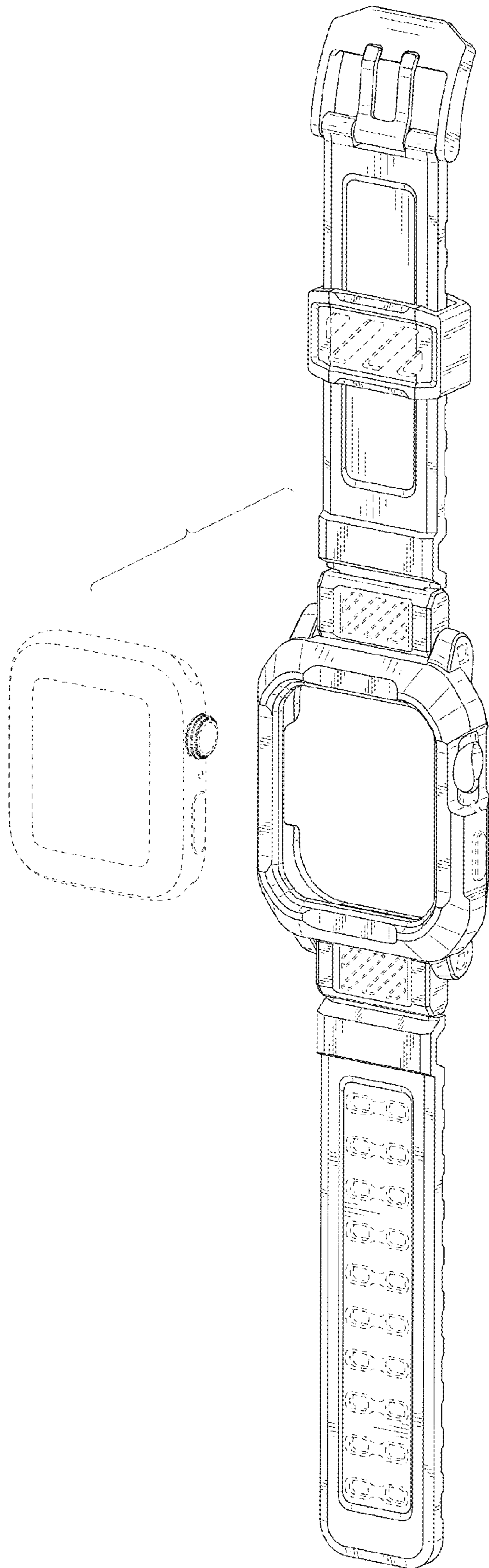


FIG. 9

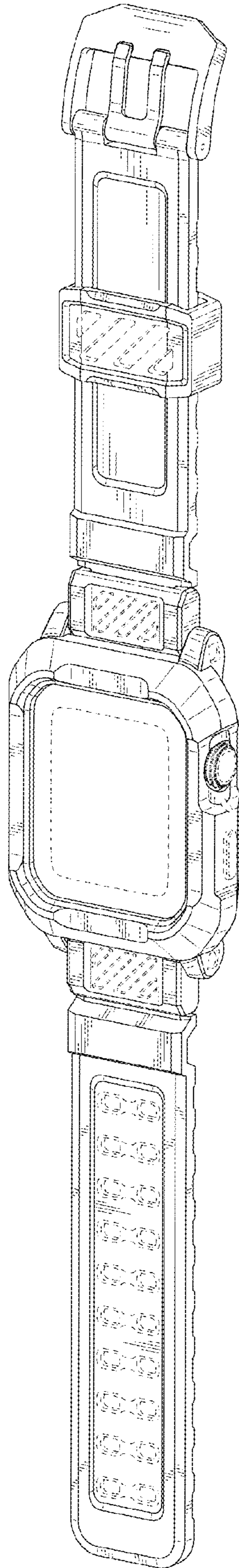


FIG. 10