



US00D961437S

(12) **United States Design Patent**
Tian

(10) **Patent No.:** **US D961,437 S**

(45) **Date of Patent:** **** Aug. 23, 2022**

(54) **WATCHBAND**

(71) Applicant: **Shenzhen Helizhongtuo Trading Co., Ltd.**, Shenzhen (CN)

(72) Inventor: **Heli Tian**, Shenzhen (CN)

(**) Term: **15 Years**

(21) Appl. No.: **29/779,298**

(22) Filed: **Apr. 19, 2021**

(51) **LOC (13) Cl.** **11-01**

(52) **U.S. Cl.**
USPC **D11/3**

(58) **Field of Classification Search**

USPC D11/1-6; D14/344; D10/30, 31, 32, 38
CPC A44C 5/00; A44C 5/0007; A44C 5/0015;
A44C 5/0053; A44C 5/12; A44C 5/14;
A44C 5/147; A44C 5/16; A44C 5/185;
A44C 5/20; A44C 5/22; A44C 5/24;
A44C 5/246

See application file for complete search history.

(56) **References Cited**

U.S. PATENT DOCUMENTS

D720,248 S * 12/2014 Law D11/3
D727,197 S * 4/2015 Akana D11/3
D729,681 S * 5/2015 Lee D14/344
D779,993 S * 2/2017 Akana D11/3

D802,467 S * 11/2017 Novak D11/3
D854,439 S * 7/2019 Dukerschein D11/3
D881,739 S * 4/2020 Deng D11/3
D895,471 S * 9/2020 Zhang D11/3
D909,904 S 2/2021 Koyama
D919,468 S * 5/2021 Chao D11/3
D924,717 S * 7/2021 Qin D11/3
D928,013 S * 8/2021 Cao D11/3
D943,448 S * 2/2022 Huang D11/3
D946,446 S * 3/2022 Zheng D11/3

* cited by examiner

Primary Examiner — Llorellys Martinez

(57) **CLAIM**

The ornamental design for a watchband, as shown and described.

DESCRIPTION

FIG. 1 is a front and top perspective view of a watchband showing my new design;

FIG. 2 is a rear and bottom perspective view thereof;

FIG. 3 is a front elevation view thereof;

FIG. 4 is a rear elevation view thereof;

FIG. 5 is a left side elevation view thereof;

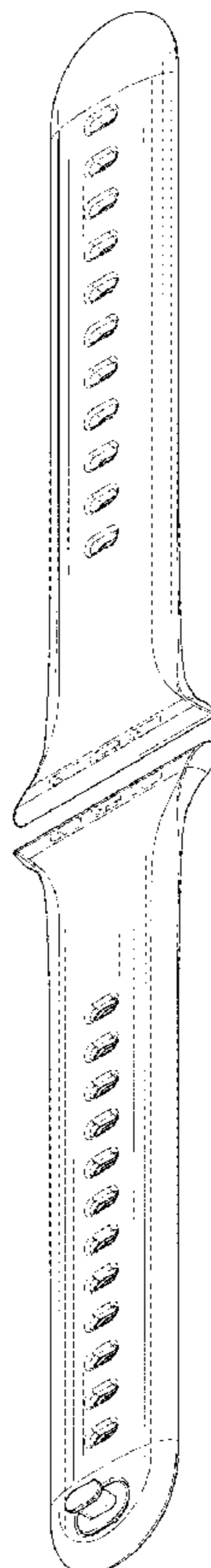
FIG. 6 is a right side elevation view thereof;

FIG. 7 is a top plan view thereof; and,

FIG. 8 is a bottom plan view thereof.

The broken lines in the figures illustrate portions of the watchband that form no part of the claimed design.

1 Claim, 8 Drawing Sheets



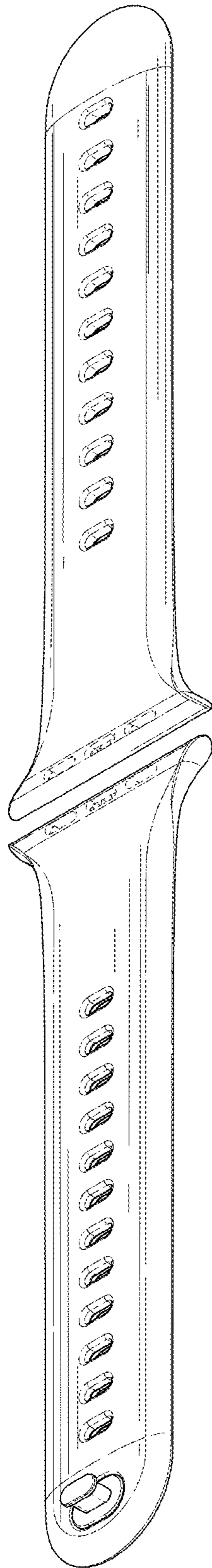


FIG. 1

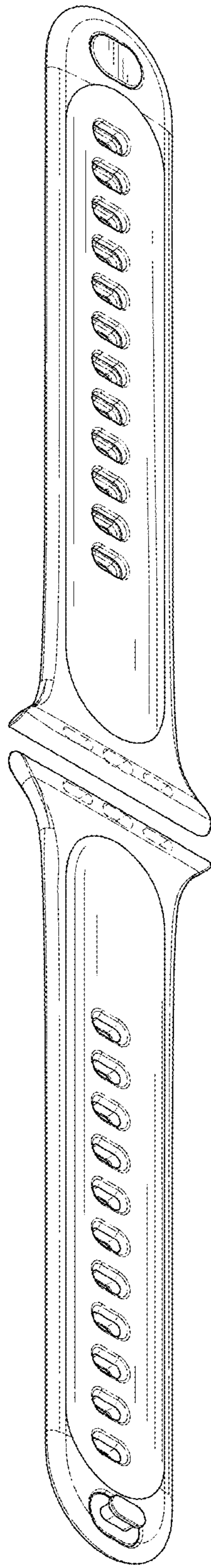


FIG. 2

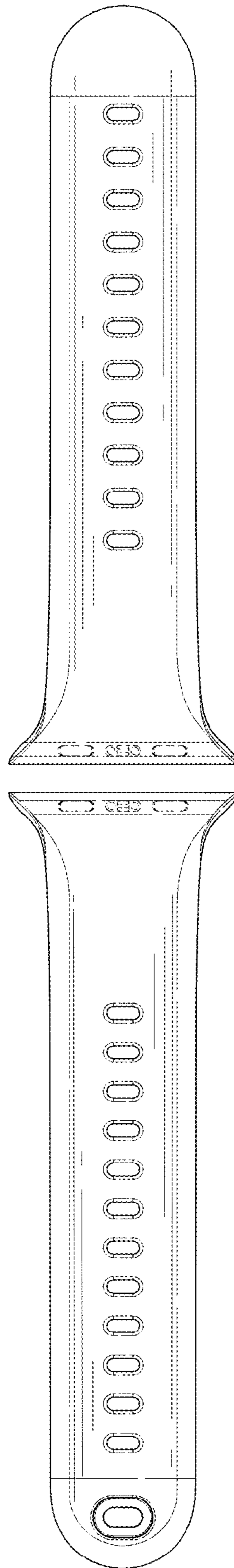


FIG. 3

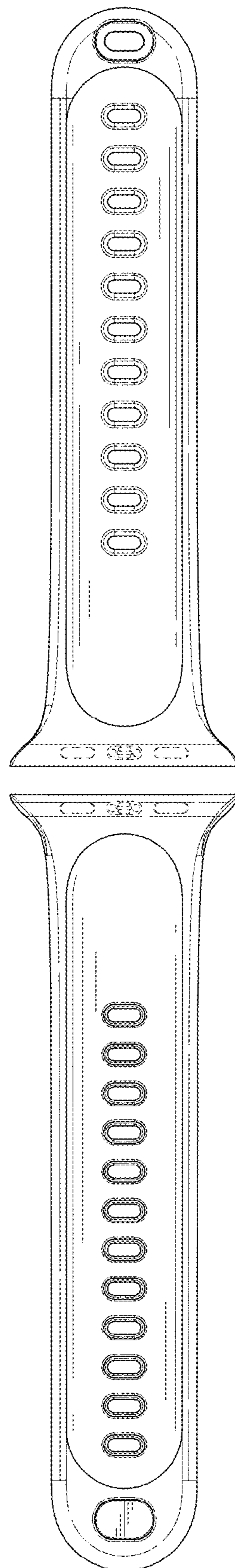


FIG. 4

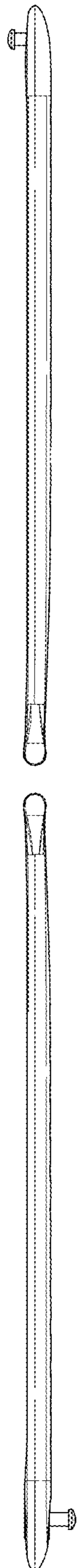


FIG. 5

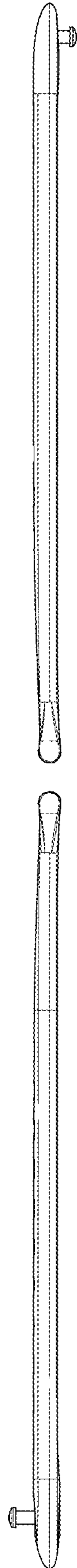


FIG. 6

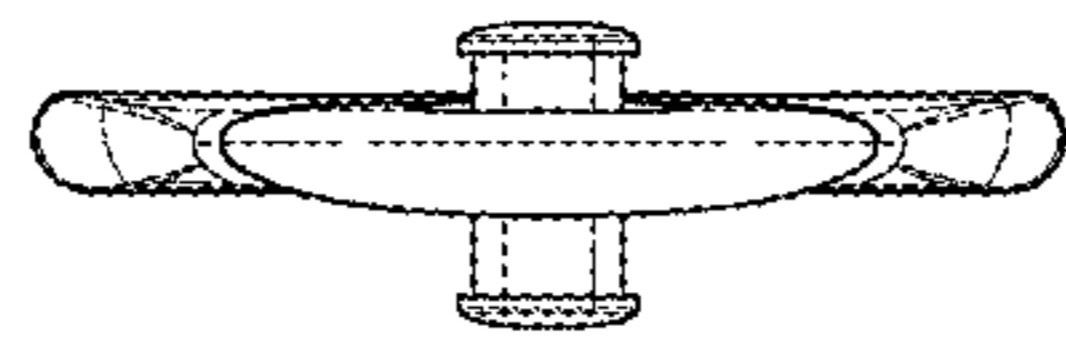


FIG. 7

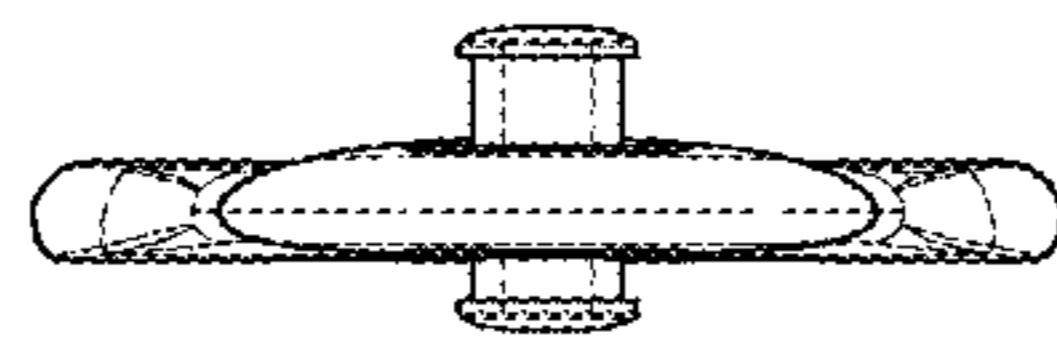


FIG. 8