

US00D961436S

(12) **United States Design Patent**
Gilad

(10) **Patent No.:** **US D961,436 S**

(45) **Date of Patent:** **** Aug. 23, 2022**

(54) **WHISTLE**
(71) Applicant: **Alon Gilad**, Haifa (IL)
(72) Inventor: **Alon Gilad**, Haifa (IL)
(**) Term: **15 Years**
(21) Appl. No.: **35/511,875**
(22) Filed: **Apr. 16, 2021**

D420,929 S * 2/2000 Vigil D10/119.1
D601,625 S * 10/2009 Yeh D10/119.3
D724,059 S * 3/2015 Kim D14/218
D782,355 S * 3/2017 Paik D10/119.3

* cited by examiner

Primary Examiner — George D. Kirschbaum

(80) **Hague Agreement Data**

Int. Filing Date: **Apr. 16, 2021**
Int. Reg. No.: **DM/214154**
Int. Reg. Date: **Apr. 16, 2021**
Int. Reg. Pub. Date: **May 21, 2021**

(57) **CLAIM**

The ornamental design for a whistle, as shown and described.

(51) **LOC (13) Cl.** **10-05**

(52) **U.S. Cl.**
USPC **D10/119.3**

(58) **Field of Classification Search**
USPC D10/119.1, 119.3
See application file for complete search history.

DESCRIPTION

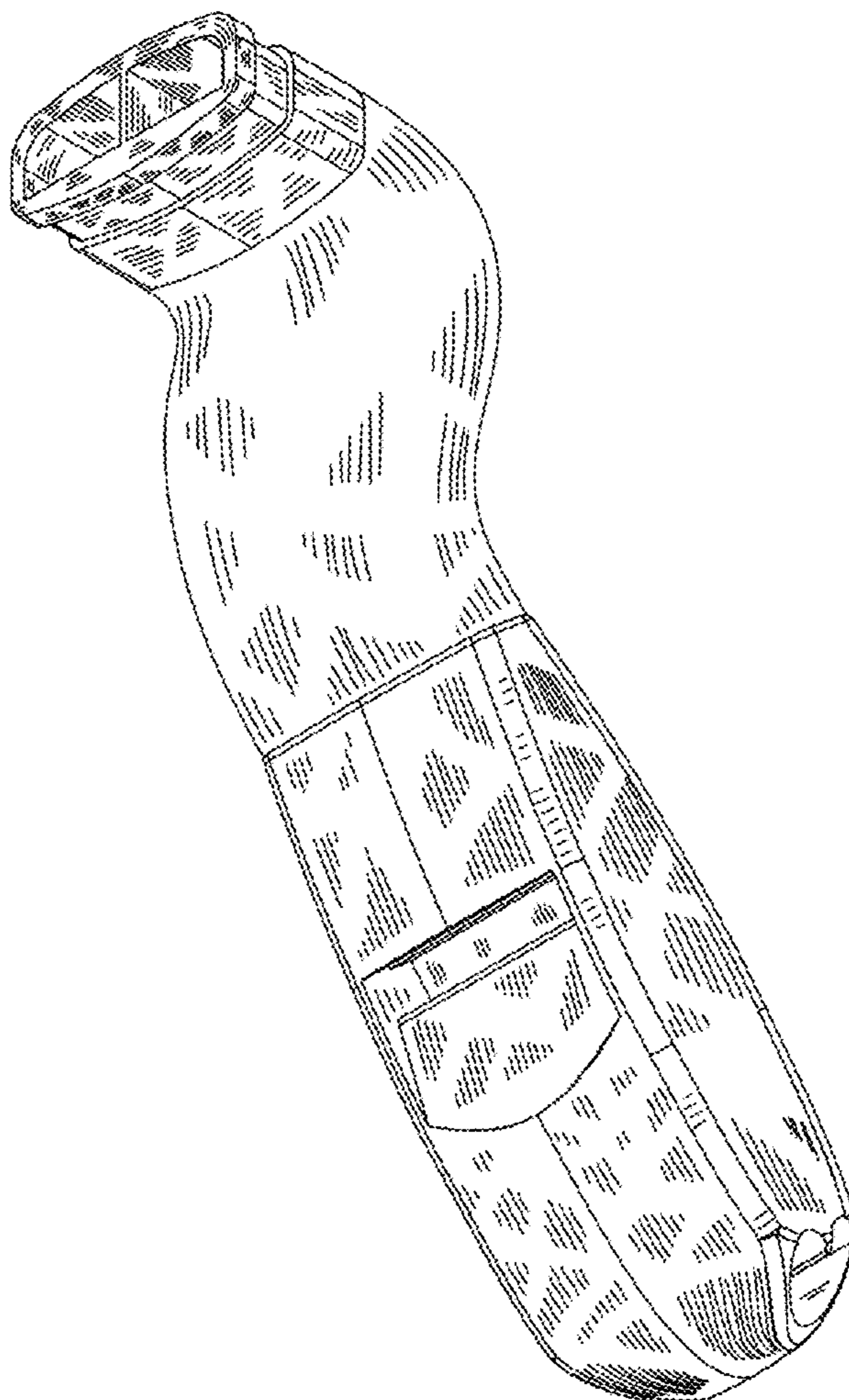
- 1. Whistle
- 1.1 : Perspective
- 1.2 : Perspective
- 1.3 : Front
- 1.4 : Back
- 1.5 : Right
- 1.6 : Bottom
- 1.7 : Top

(56) **References Cited**

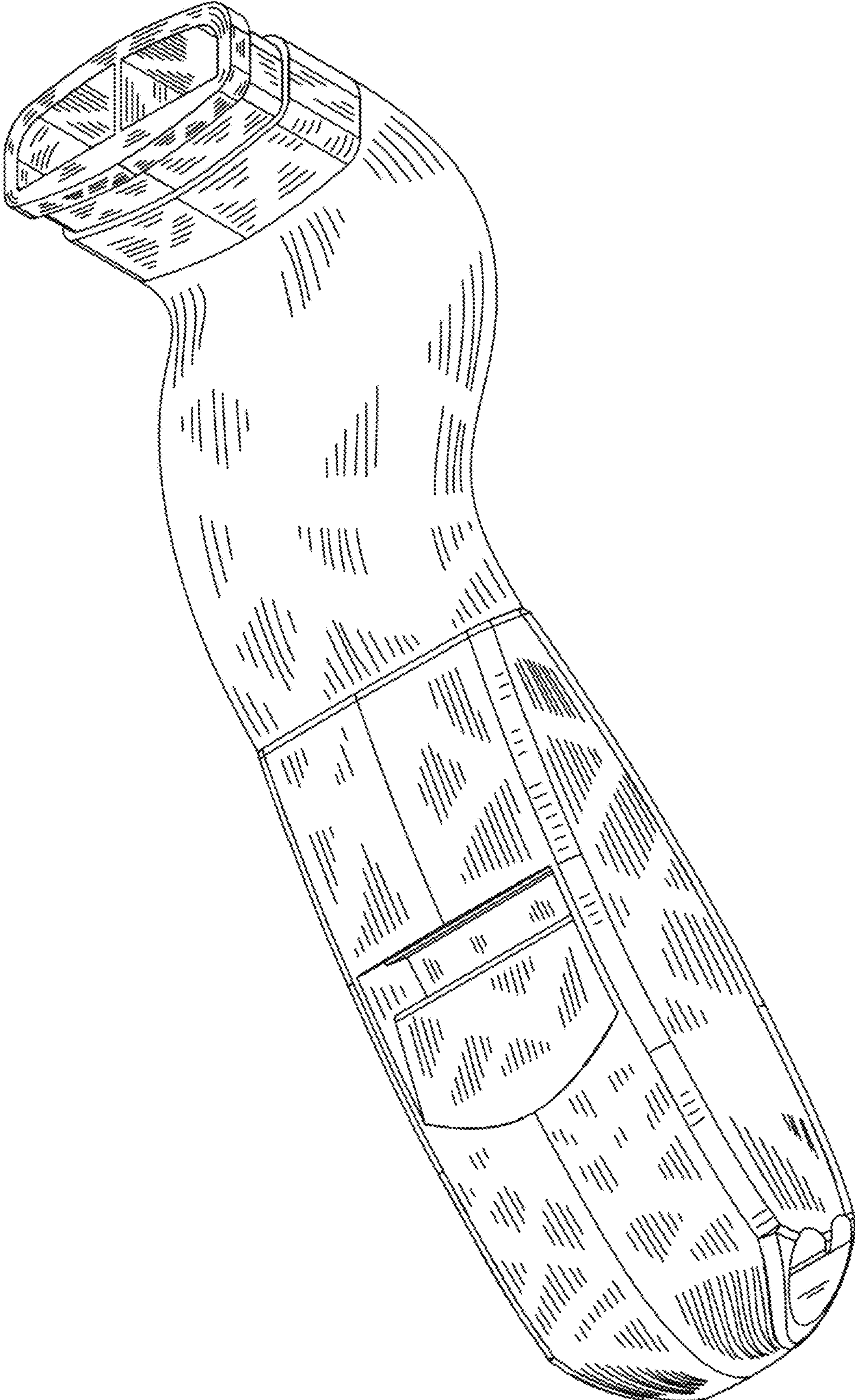
U.S. PATENT DOCUMENTS

3,924,560 A * 12/1975 Kaftan G10K 5/00
446/204

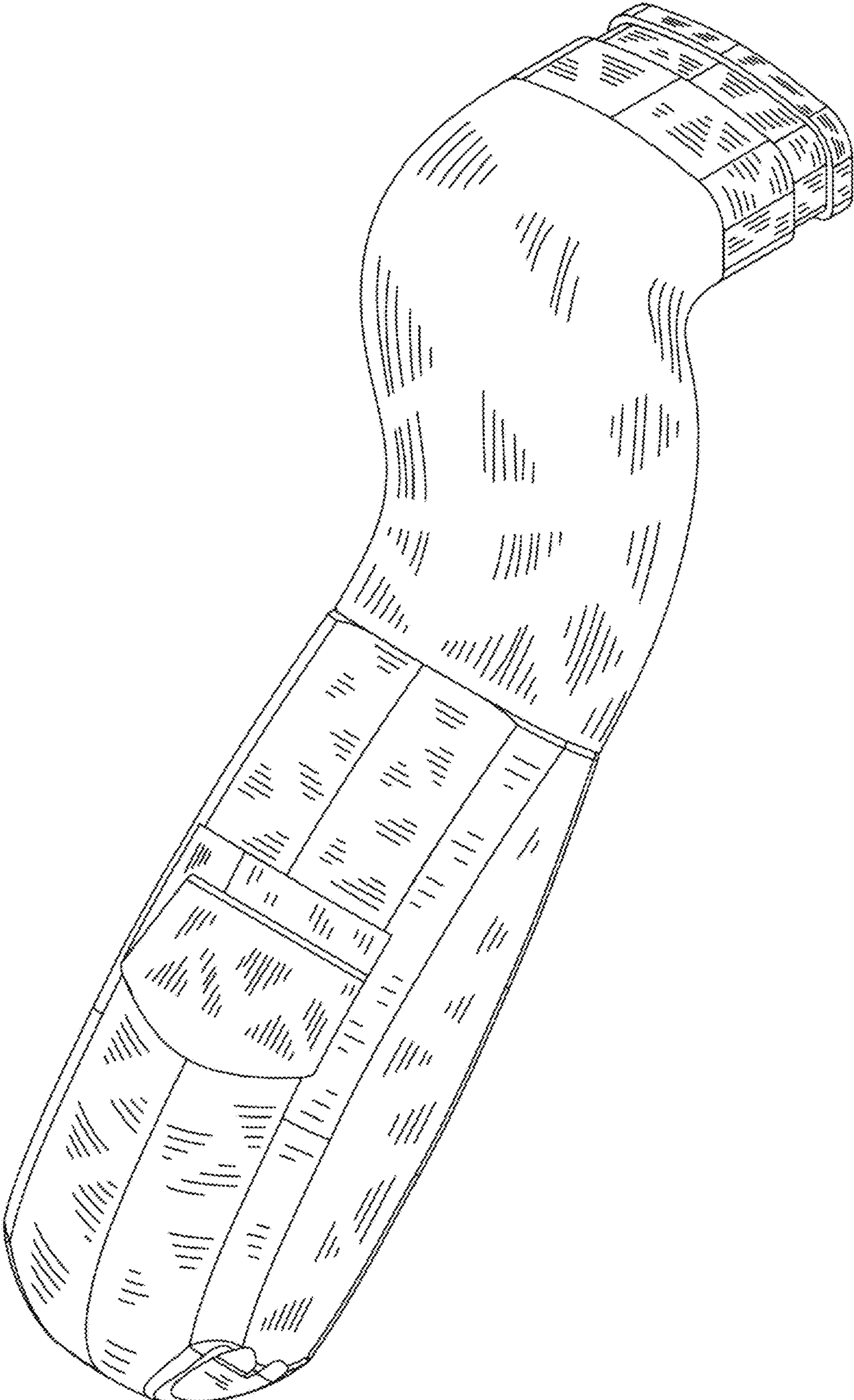
1 Claim, 7 Drawing Sheets



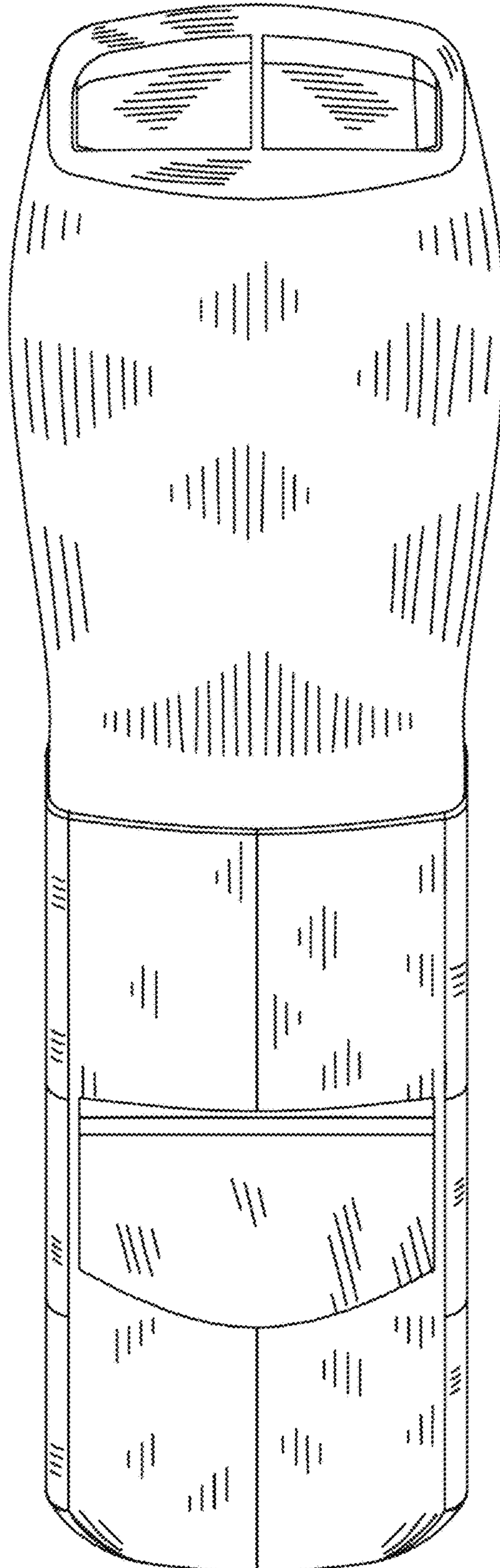
1.1



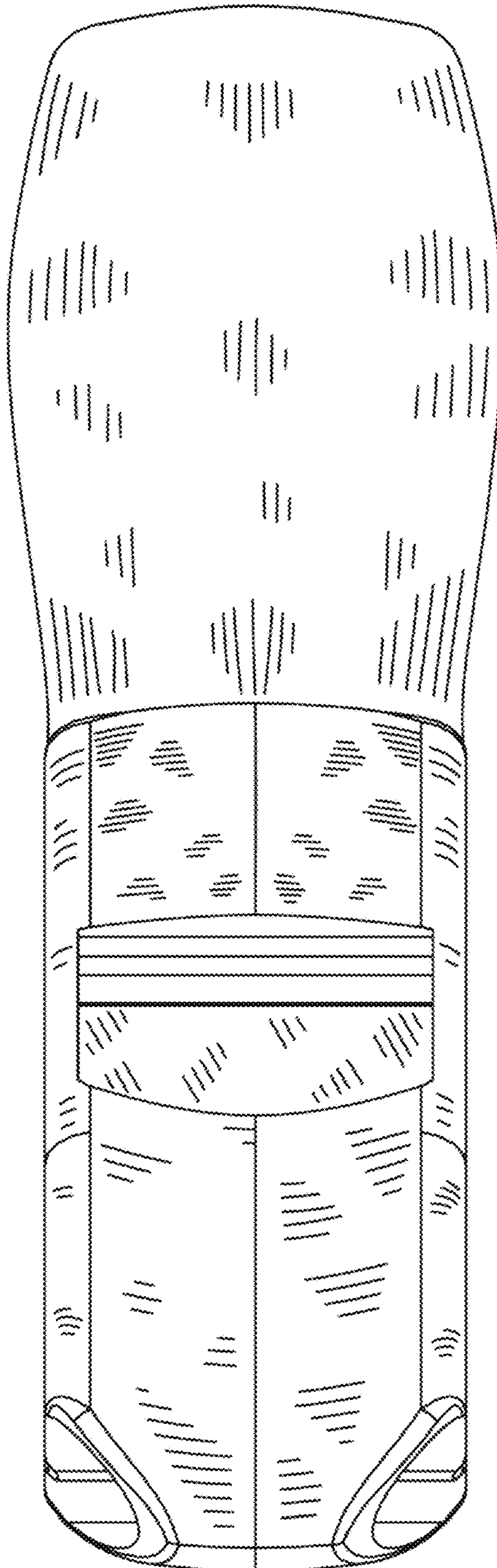
1.2



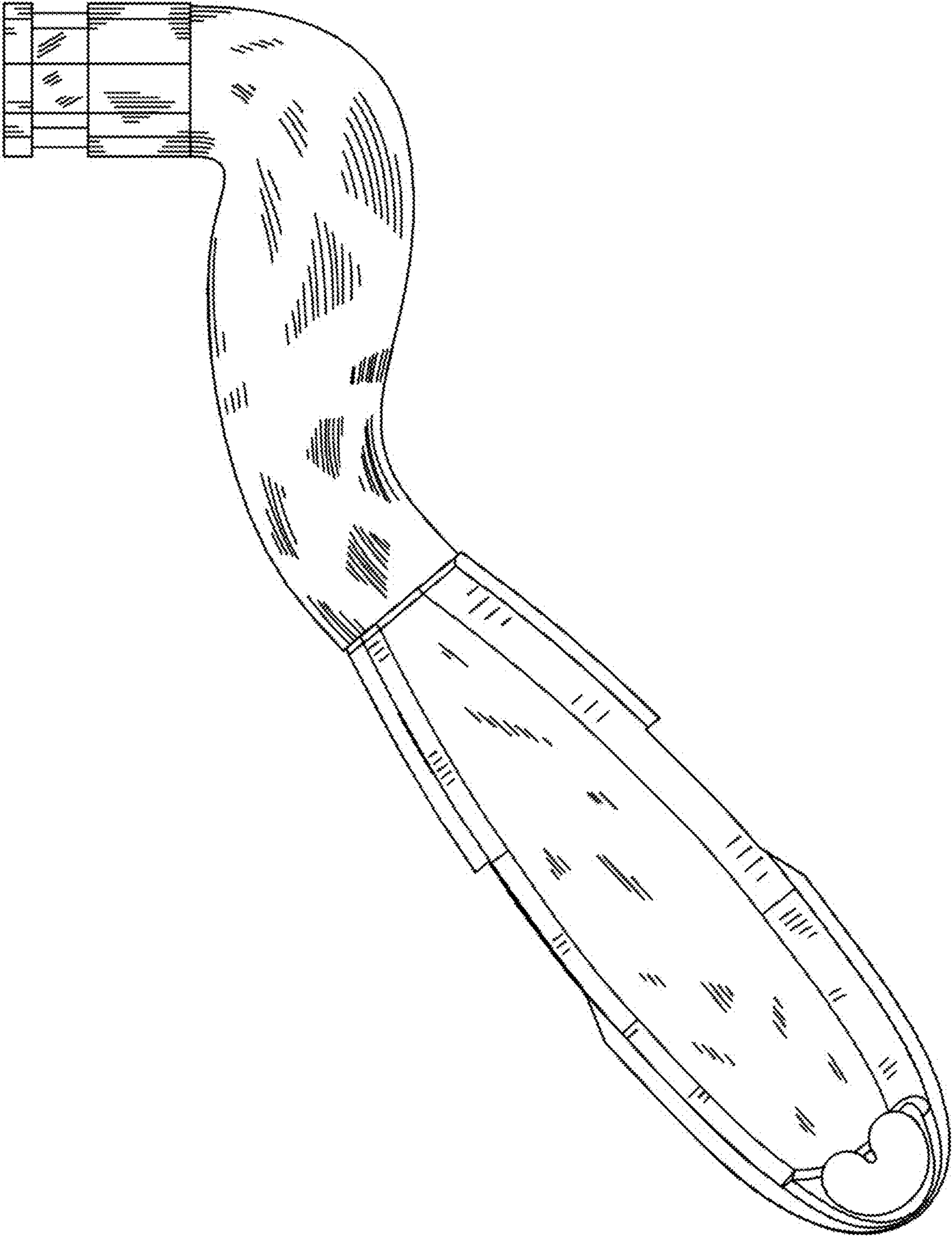
1.3



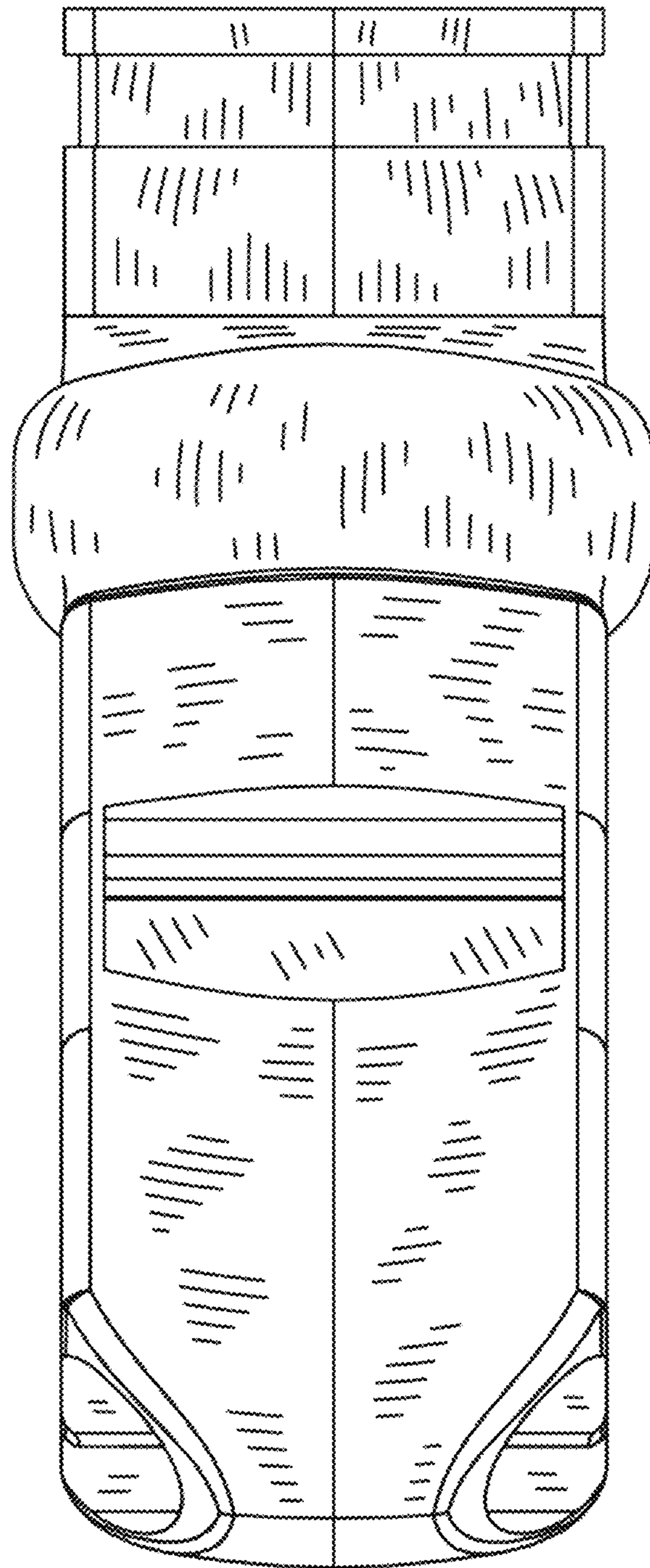
1.4



1.5



1.6



1.7

