



US00D961434S

(12) **United States Design Patent**
Moeller

(10) **Patent No.:** **US D961,434 S**

(45) **Date of Patent:** **** Aug. 23, 2022**

(54) **MOVEMENT SENSOR**

(71) Applicant: **STEINEL GmbH**, Herzebrock-Clarholz (DE)

(72) Inventor: **Thomas Moeller**, Herford (DE)

(73) Assignee: **STEINEL GmbH**, Herzebrock-Clarholz (DE)

(**) Term: **15 Years**

(21) Appl. No.: **29/764,137**

(22) Filed: **Dec. 28, 2020**

(30) **Foreign Application Priority Data**

Jun. 29, 2020 (EM) 008024863-0018

(51) **LOC (13) Cl.** **10-05**

(52) **U.S. Cl.**
USPC **D10/106.6**

(58) **Field of Classification Search**
USPC D10/46, 70, 104.1, 106.1, 106.6–106.8;
D16/203; D26/72, 85
CPC Y02B 20/40; H05B 47/115; H04N 5/144;
G01P 13/00; G01S 13/56
See application file for complete search history.

(56) **References Cited**

U.S. PATENT DOCUMENTS

D339,759 S *	9/1993	Ho	D10/106.6
D369,308 S *	4/1996	Pun	D10/106.6
D377,033 S *	12/1996	Kubota	D16/203
D438,998 S *	3/2001	Finke	D10/106.1
D478,108 S *	8/2003	Miyazaki	D16/203
D487,764 S *	3/2004	Adachi	D16/203
D502,196 S *	2/2005	Miyazaki	D16/203
D508,067 S *	8/2005	Deguchi	D16/203
D516,445 S *	3/2006	DiPasquale	D10/106.6
D519,540 S *	4/2006	Naruke	D16/203
D527,405 S *	8/2006	Kim	D16/203

D542,319 S *	5/2007	Ishida	D16/203
D545,710 S *	7/2007	Concari	D10/106.6
D550,738 S *	9/2007	Hsia	D16/203
D606,105 S *	12/2009	Hinkel	D16/203
D744,570 S *	12/2015	Criscuolo	D16/203
D750,682 S *	3/2016	Andersson	D16/203
D799,993 S *	10/2017	Iritani	D10/46
D803,291 S *	11/2017	Andersson	D16/203
D812,673 S *	3/2018	Andersson	D16/203
D829,801 S *	10/2018	Park	D16/203
D863,400 S *	10/2019	Li	D16/203
D870,181 S *	12/2019	Geng	D16/203
D888,793 S *	6/2020	Du	D16/203

(Continued)

Primary Examiner — George D. Kirschbaum

Assistant Examiner — Lillian Windham

(74) *Attorney, Agent, or Firm* — Snell & Wilmer L.L.P.

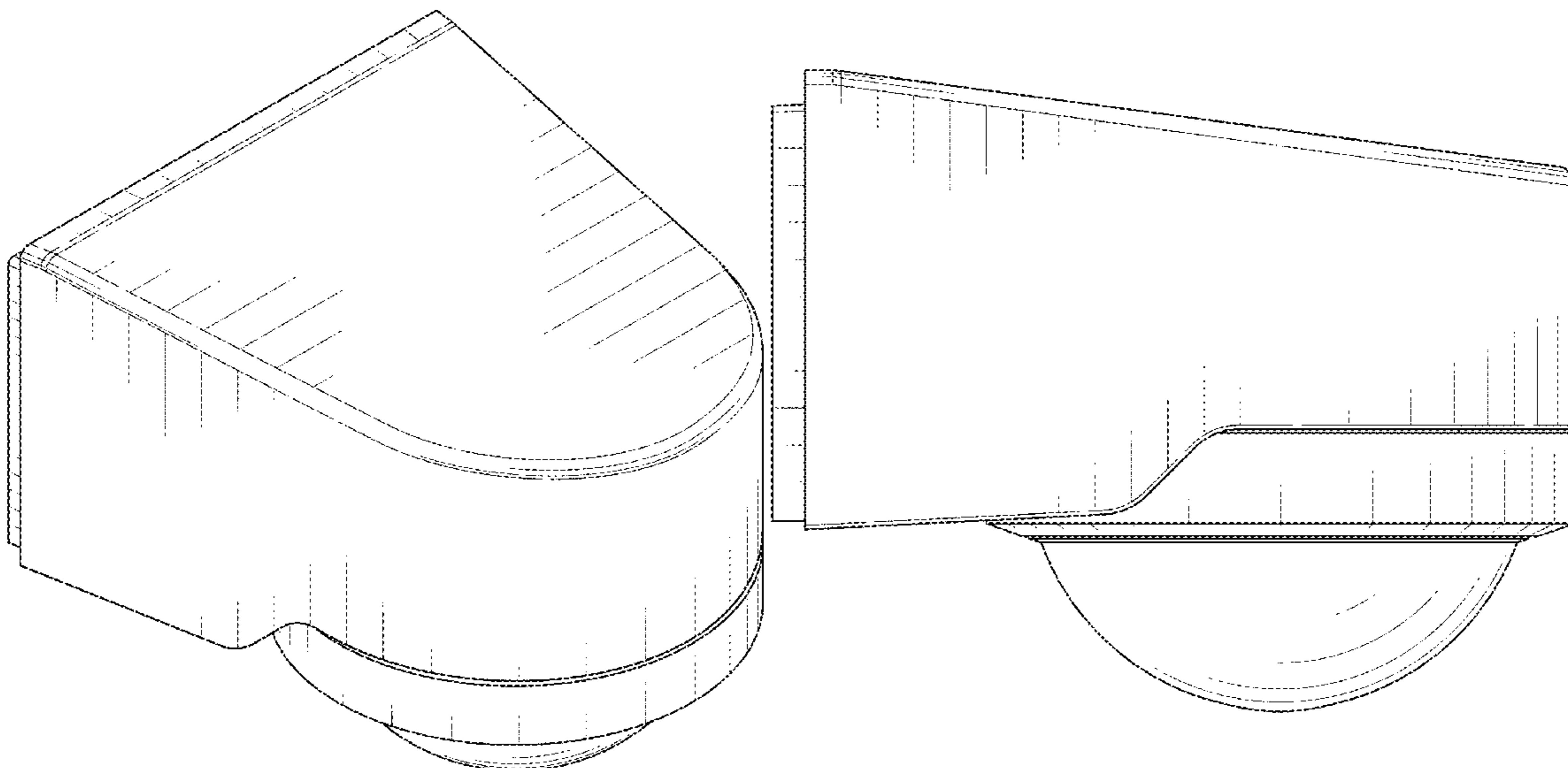
(57) **CLAIM**

An ornamental design for a movement sensor, as shown and described.

DESCRIPTION

FIG. 1 is a perspective view illustrating the movement sensor showing my new design;
 FIG. 2 is a first side view of the movement sensor shown in FIG. 1;
 FIG. 3 is a second side view of the movement sensor shown in FIG. 1;
 FIG. 4 is a front view of the movement sensor shown in FIG. 1;
 FIG. 5 is a rear view of the movement sensor shown in FIG. 1;
 FIG. 6 is a top plan view of the movement sensor shown in FIG. 1; and,
 FIG. 7 is a bottom plan view of the movement sensor shown in FIG. 1.
 The broken lines in the FIGURES depict portions of the movement sensor that form no part of the claimed design.

1 Claim, 7 Drawing Sheets



(56)

References Cited

U.S. PATENT DOCUMENTS

D896,868	S	*	9/2020	Vozzi	D16/203
D905,777	S	*	12/2020	Vozzi	D16/203
D906,397	S	*	12/2020	Sjögren	D16/203
D943,538	S	*	2/2022	Shi	D10/106.6
D944,667	S	*	3/2022	Ahn	D10/70

* cited by examiner

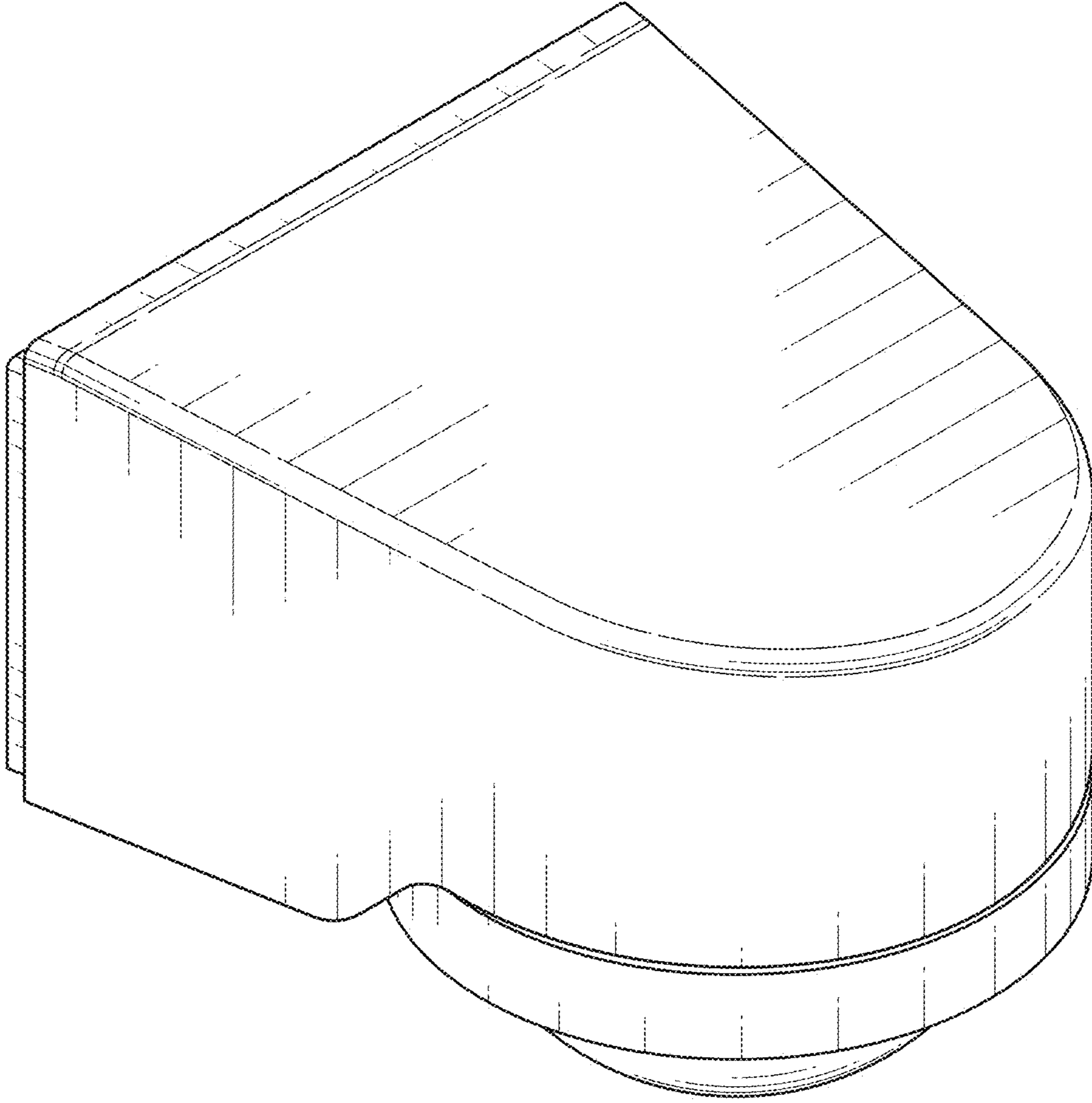


FIG. 1

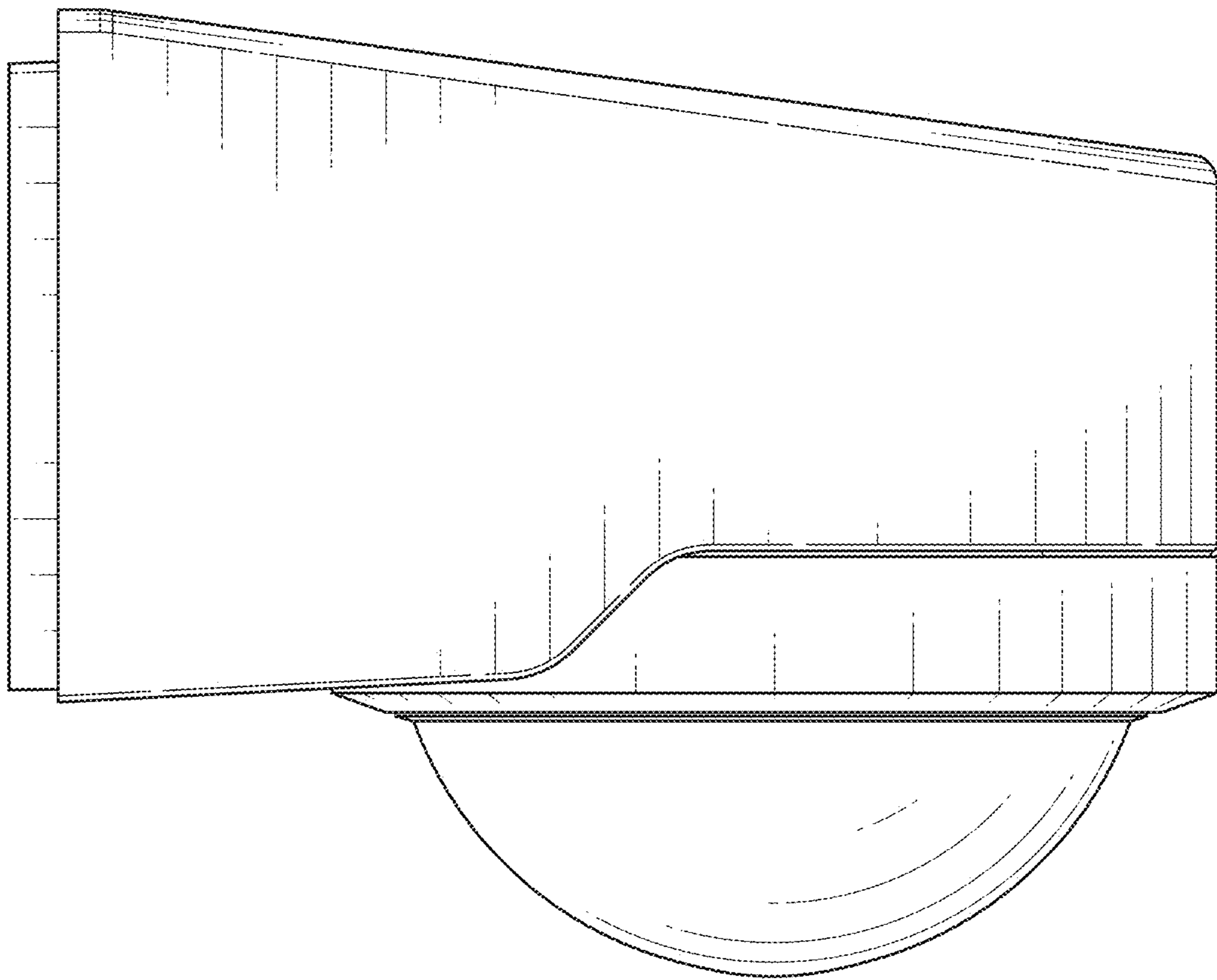


FIG. 2

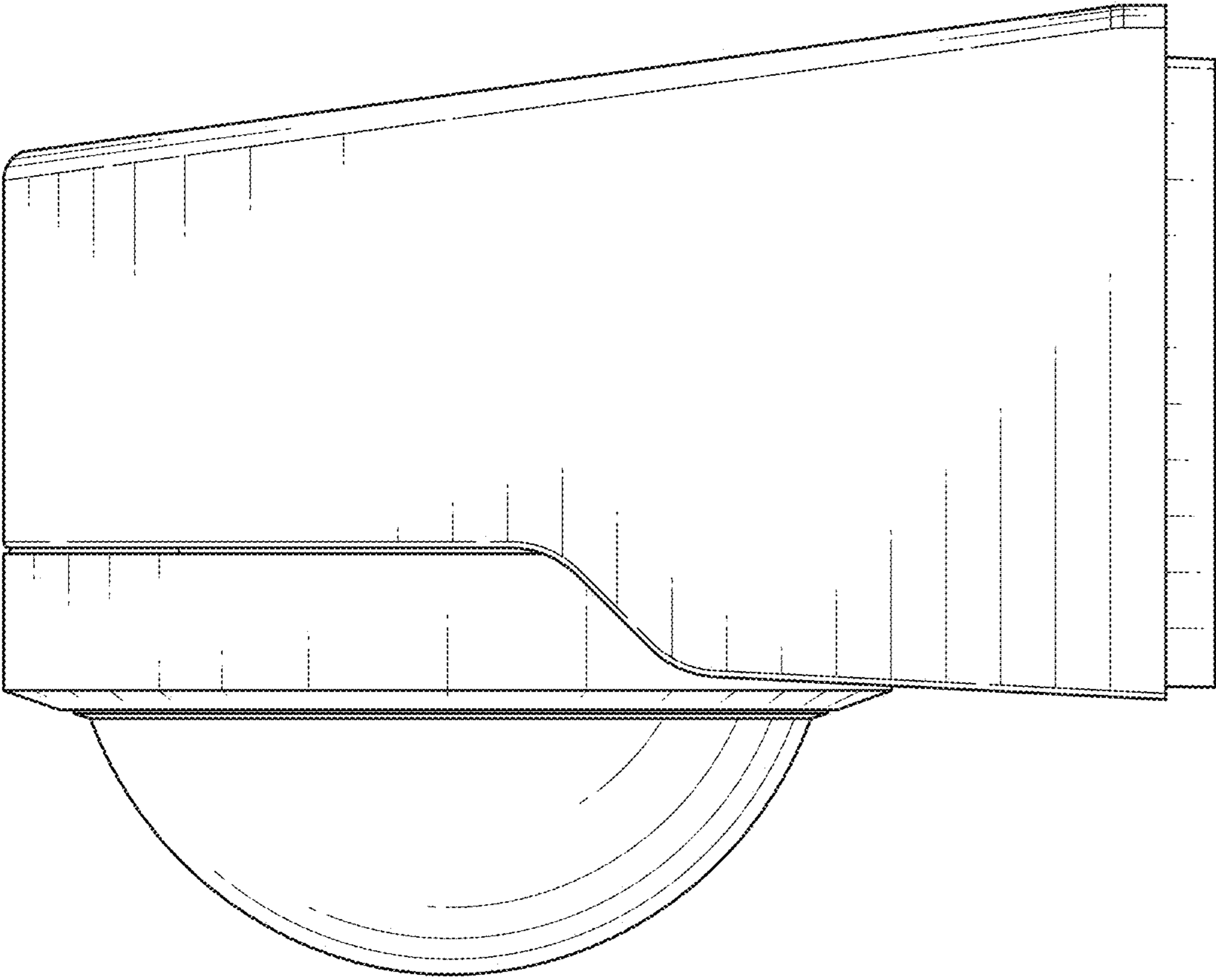


FIG. 3

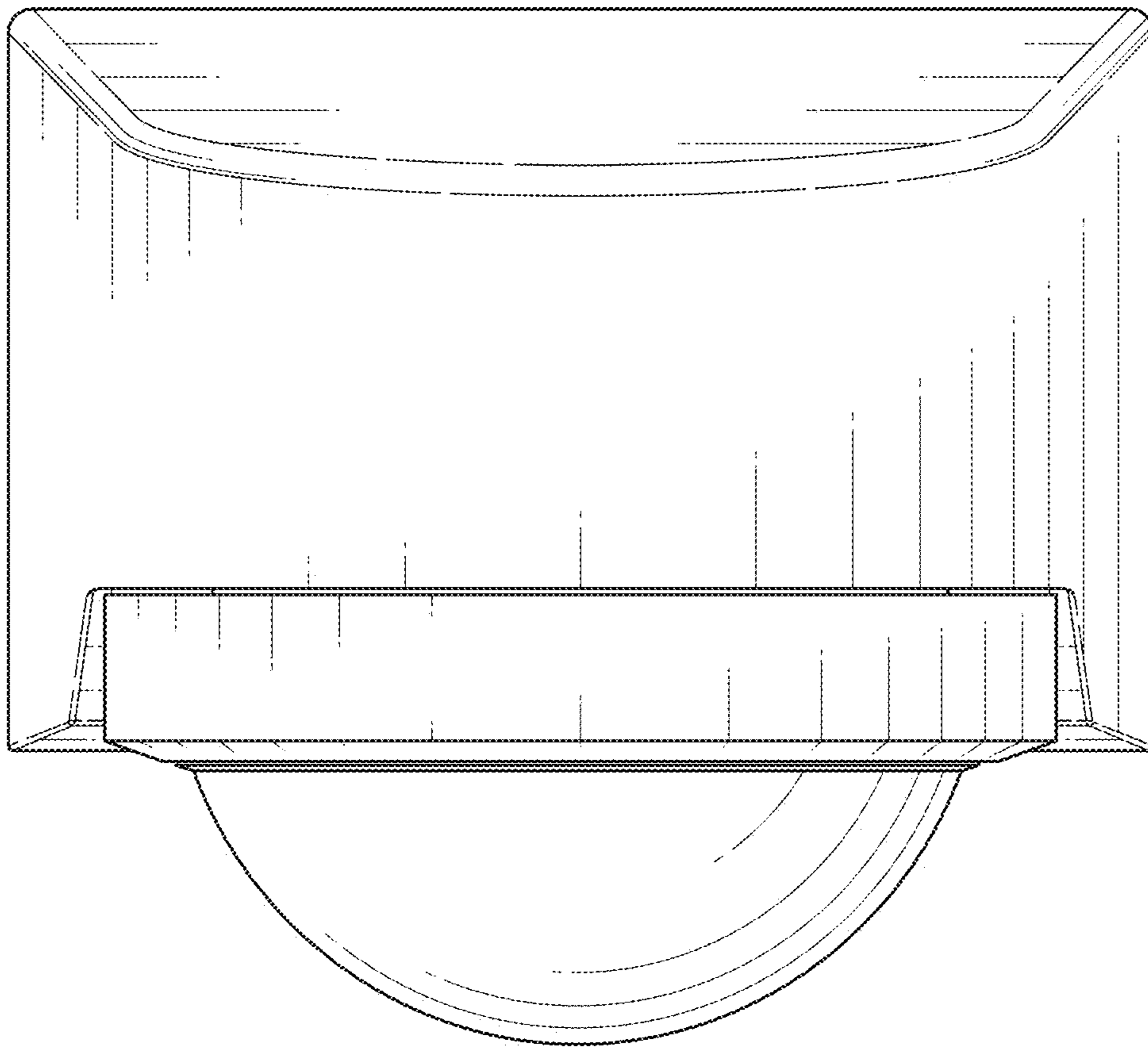


FIG. 4

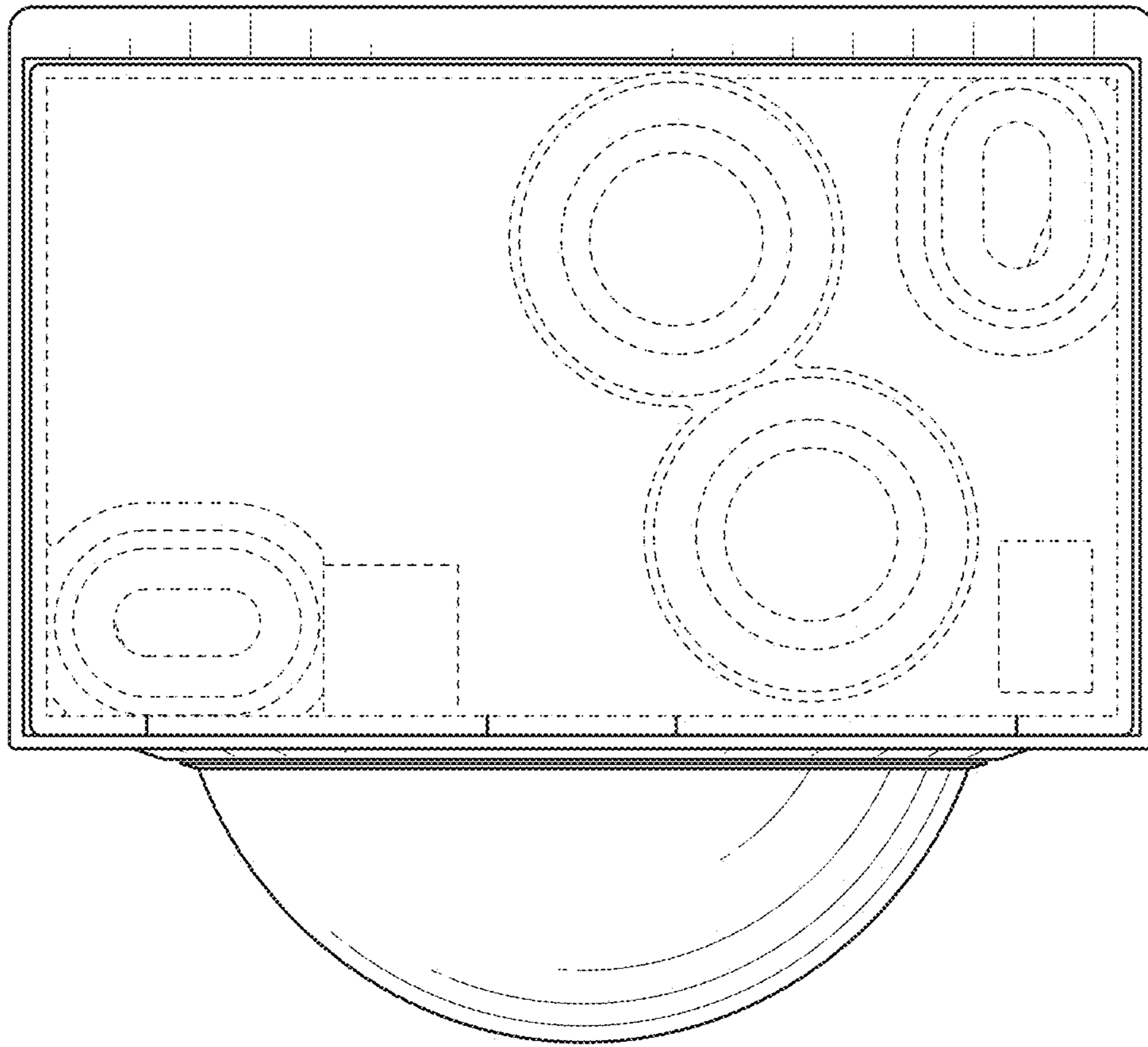


FIG. 5

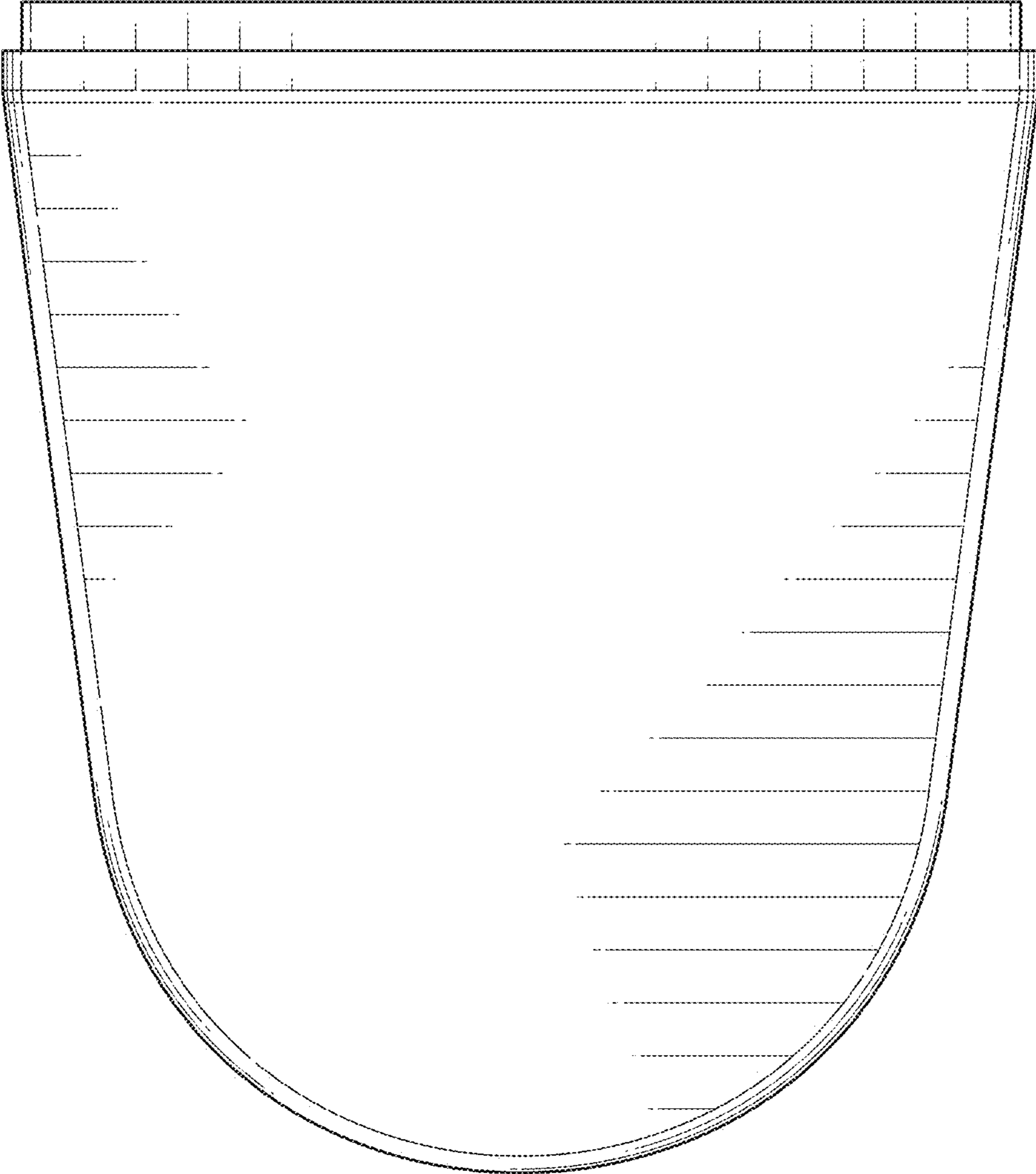


FIG. 6

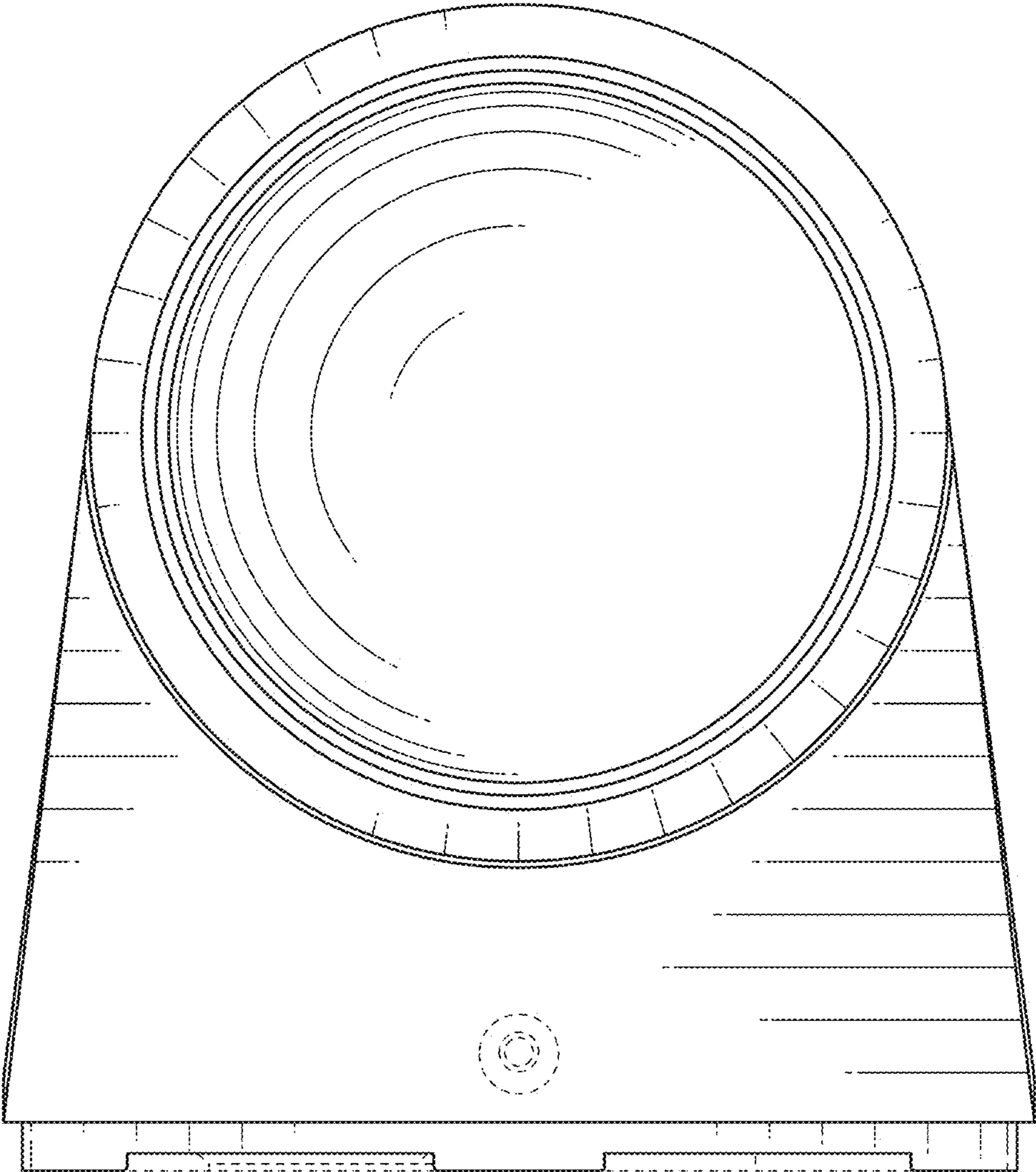


FIG. 7