



US00D961433S

(12) **United States Design Patent**  
**Moeller**

(10) **Patent No.:** **US D961,433 S**

(45) **Date of Patent:** **\*\* Aug. 23, 2022**

(54) **MOVEMENT SENSOR**

(71) Applicant: **STEINEL GmbH**, Herzebrock-Clarholz (DE)

(72) Inventor: **Thomas Moeller**, Herford (DE)

(73) Assignee: **STEINEL GmbH**, Herzebrock-Clarholz (DE)

(\*\*) Term: **15 Years**

(21) Appl. No.: **29/764,135**

(22) Filed: **Dec. 28, 2020**

(30) **Foreign Application Priority Data**

Jun. 29, 2020 (EM) ..... 008024863-0010

(51) **LOC (13) Cl.** ..... **10-05**

(52) **U.S. Cl.**  
USPC ..... **D10/106.6**

(58) **Field of Classification Search**  
USPC ..... D10/46, 70, 104.1, 106.1, 106.6–106.8;  
D16/203; D26/72, 85

CPC ..... Y02B 20/40; H05B 47/115; H04N 5/144;  
G01P 13/00; G01S 13/56

See application file for complete search history.

(56) **References Cited**

**U.S. PATENT DOCUMENTS**

D487,764 S \* 3/2004 Adachi ..... D16/203  
D519,540 S \* 4/2006 Naruke ..... D16/203  
D542,319 S \* 5/2007 Ishida ..... D16/203  
D545,710 S \* 7/2007 Concari ..... D10/106.6  
D692,333 S \* 10/2013 Moeller ..... D10/70  
D740,872 S \* 10/2015 Wada ..... D16/203  
D753,520 S \* 4/2016 Takenaka ..... D10/70

D799,993 S \* 10/2017 Iritani ..... D10/46  
D860,013 S \* 9/2019 Ahn ..... D10/70  
D896,868 S \* 9/2020 Vozzi ..... D16/203  
D902,279 S \* 11/2020 Grotto ..... D16/203  
D944,667 S \* 3/2022 Ahn ..... D10/70

**FOREIGN PATENT DOCUMENTS**

EM 001003321-0001 \* 10/2008  
EM 002778373-0001 \* 9/2015

\* cited by examiner

*Primary Examiner* — George D. Kirschbaum

*Assistant Examiner* — Lillian Windham

(74) *Attorney, Agent, or Firm* — Snell & Wilmer L.L.P.

(57) **CLAIM**

An ornamental design for a movement sensor, as shown and described.

**DESCRIPTION**

FIG. 1 is a perspective view illustrating the movement sensor showing my new design;

FIG. 2 is a first side view of the movement sensor shown in FIG. 1;

FIG. 3 is a second side view of the movement sensor shown in FIG. 1;

FIG. 4 is a front view of the movement sensor shown in FIG. 1;

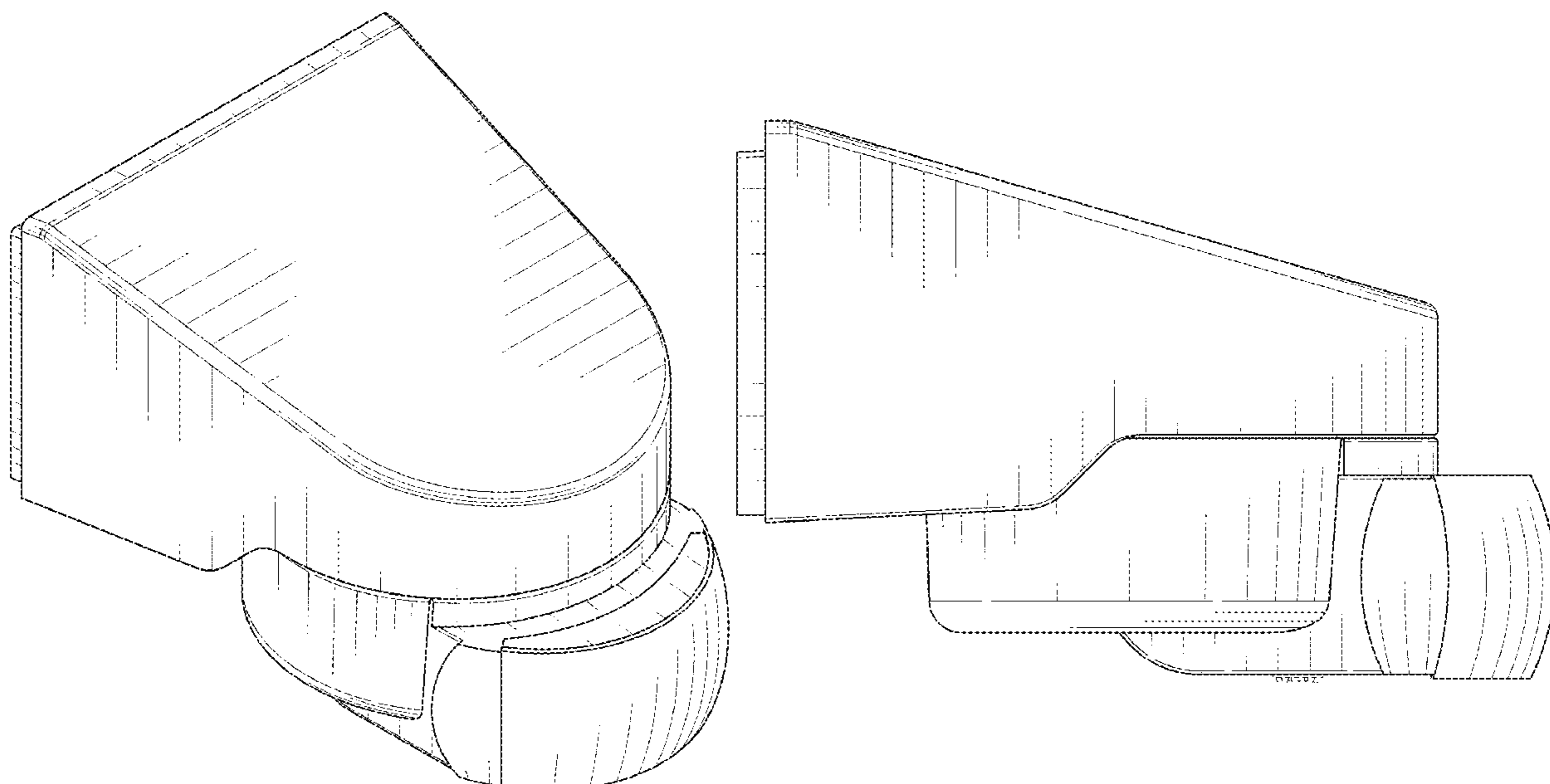
FIG. 5 is a rear view of the movement sensor shown in FIG. 1;

FIG. 6 is a top plan view of the movement sensor shown in FIG. 1; and,

FIG. 7 is a bottom plan view of the movement sensor shown in FIG. 1.

The broken lines in the Figures depict portions of the movement sensor that form no part of the claimed design.

**1 Claim, 7 Drawing Sheets**



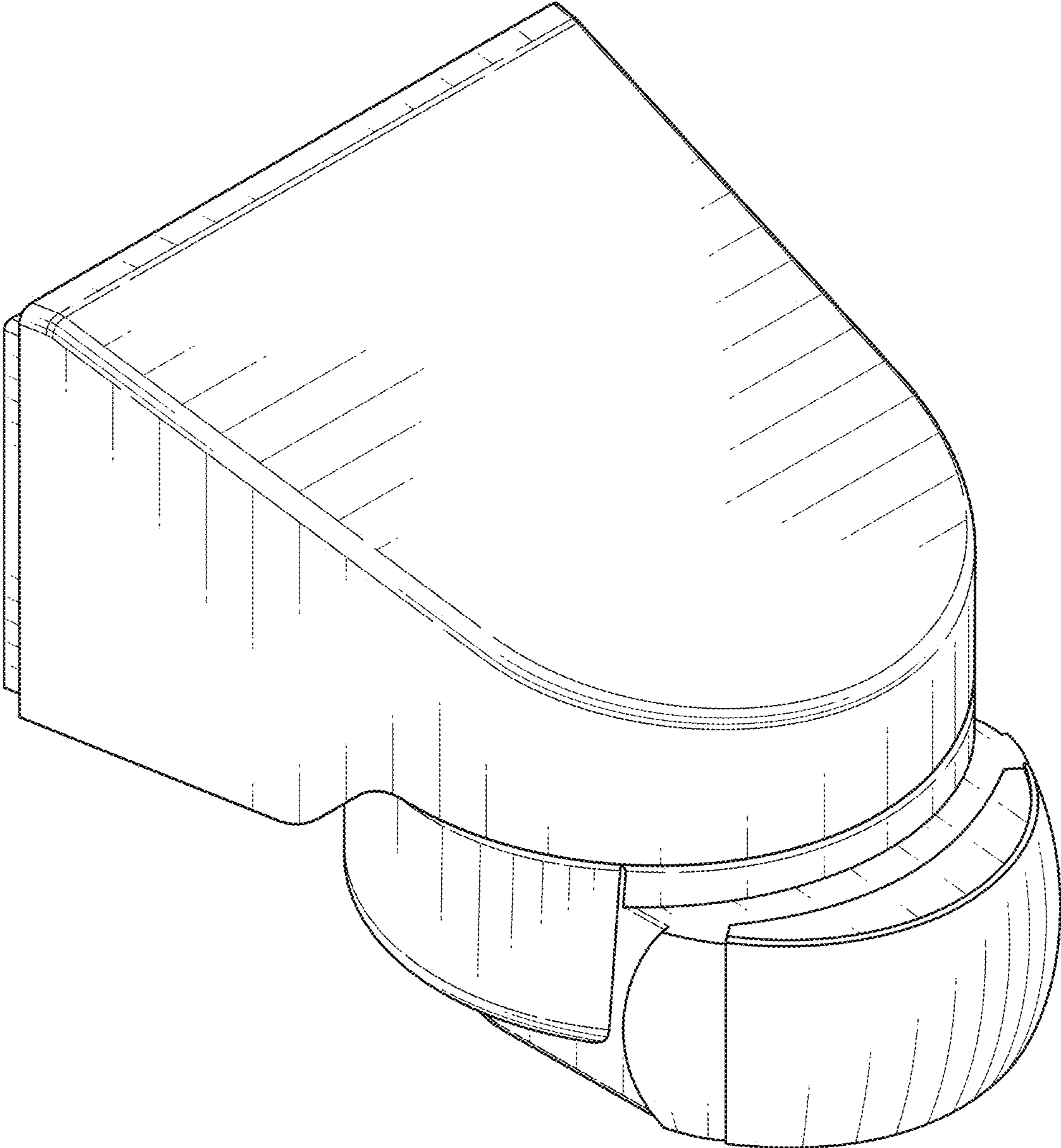


FIG. 1

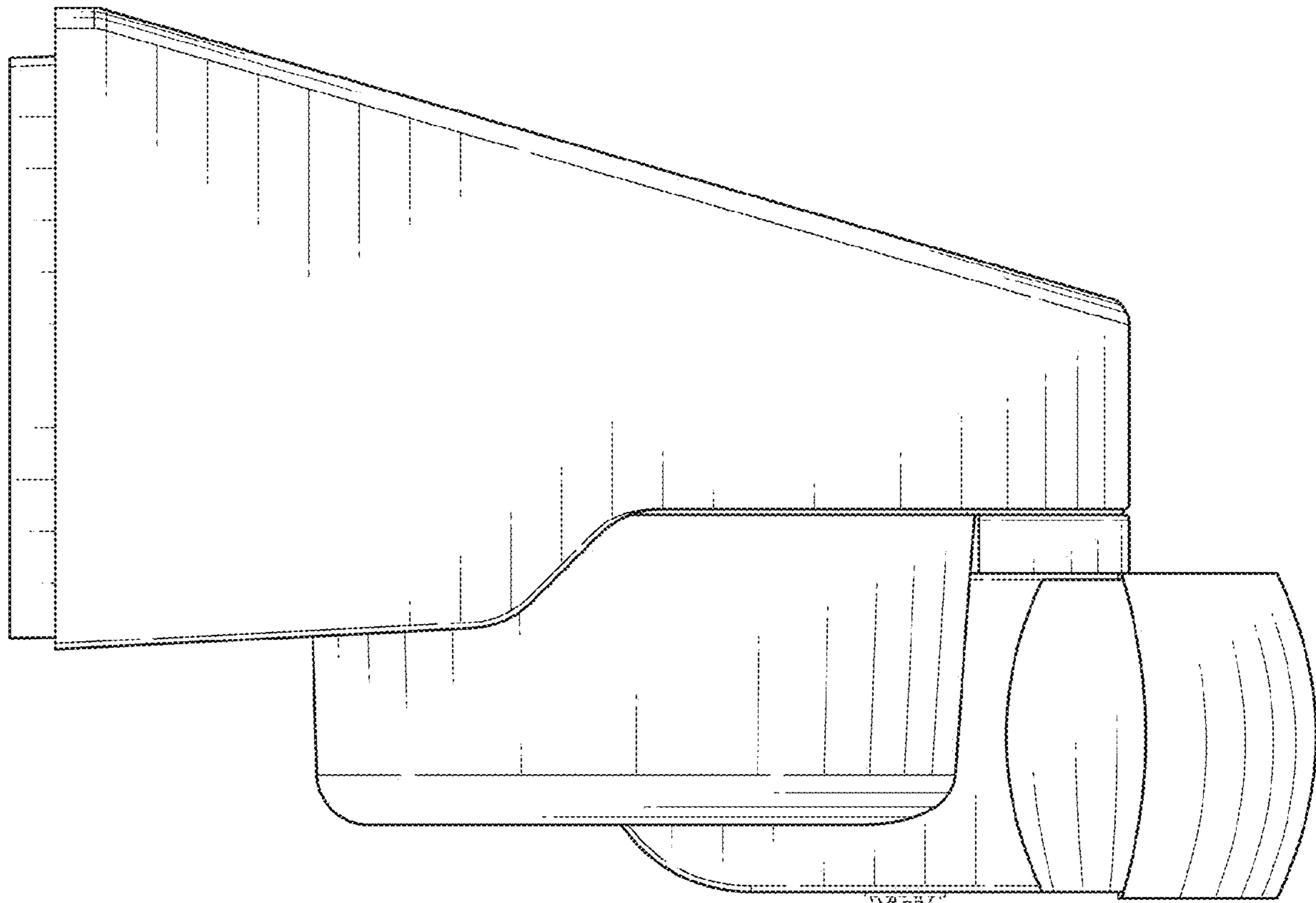


FIG. 2

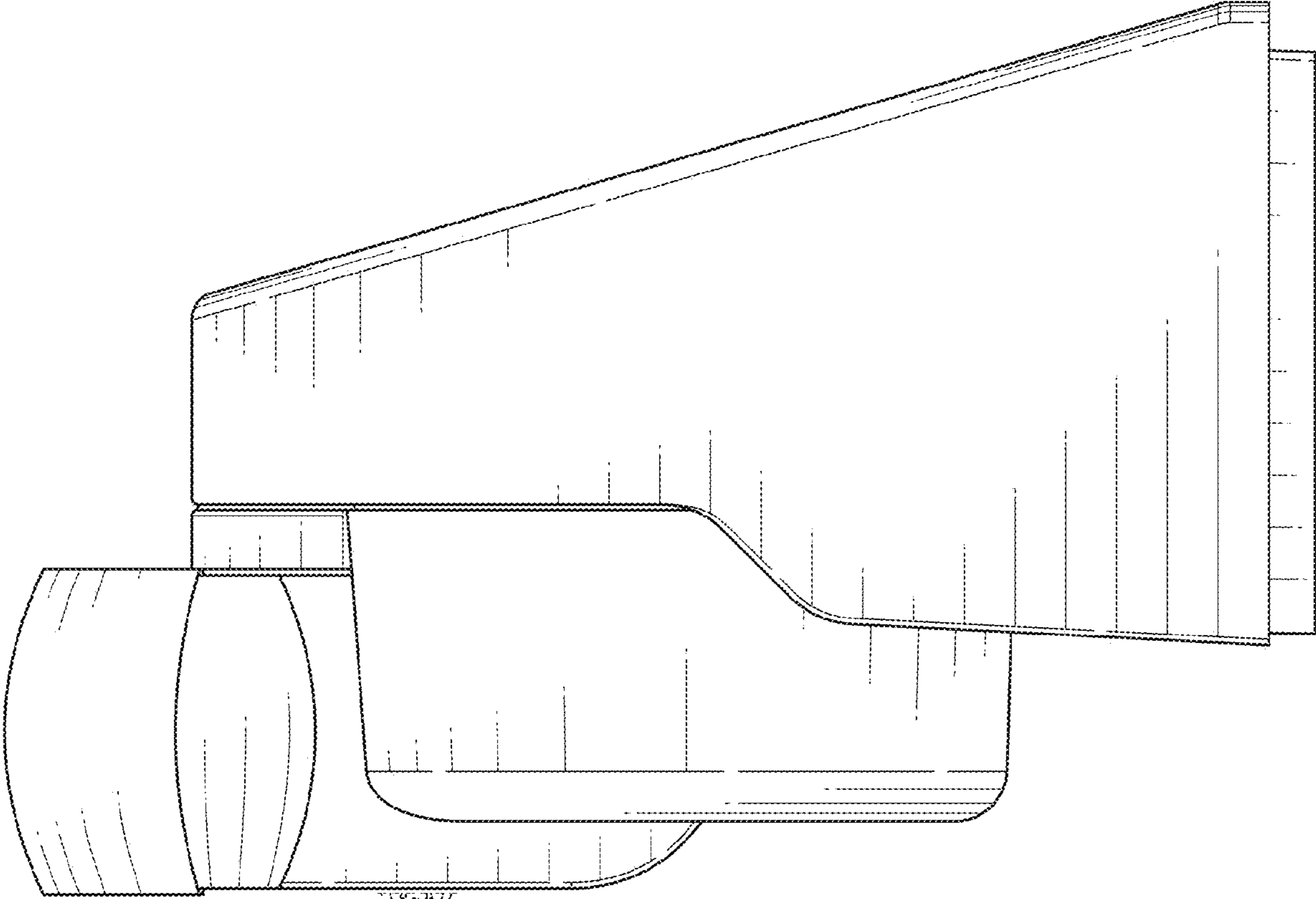


FIG. 3

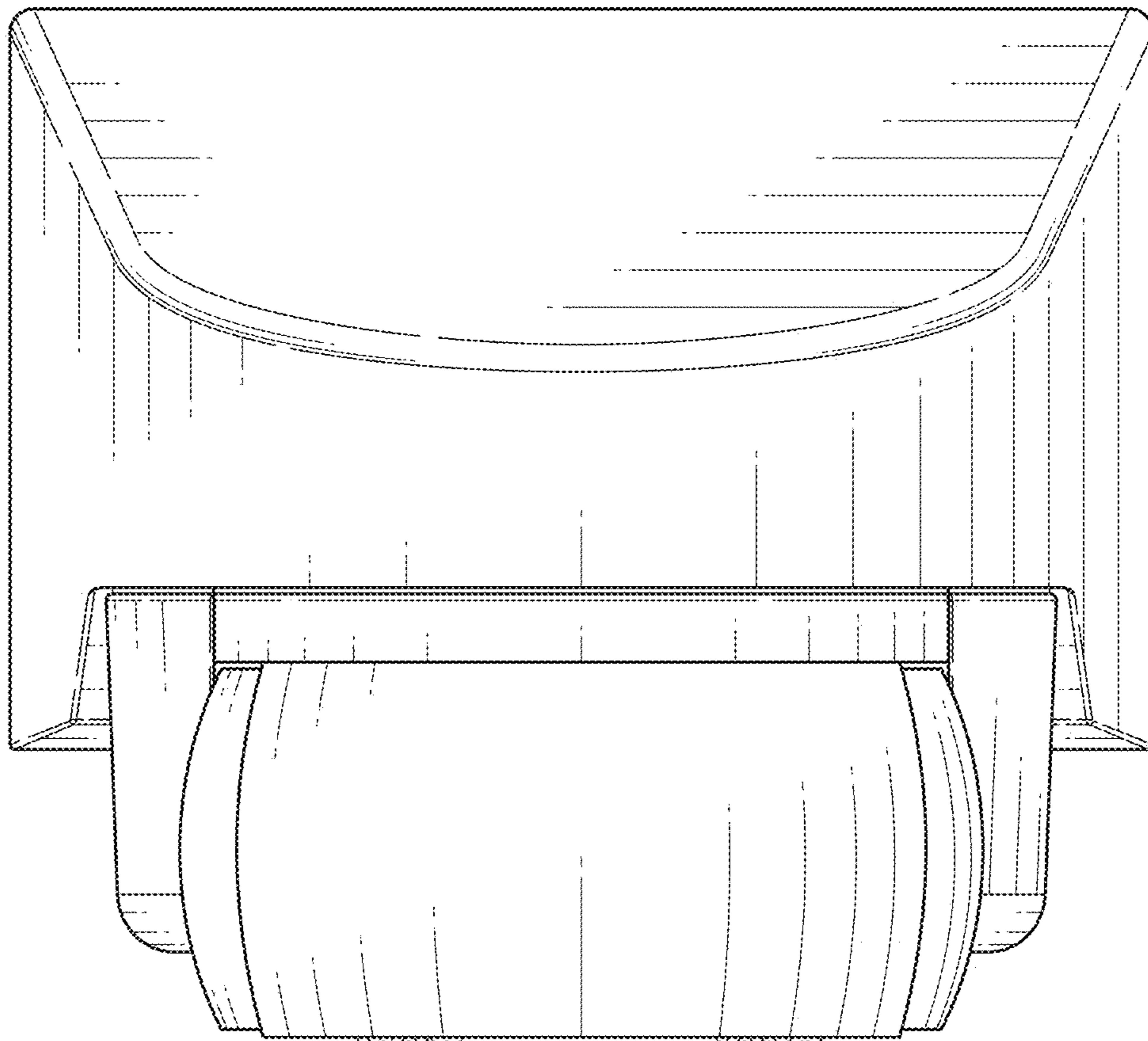


FIG. 4

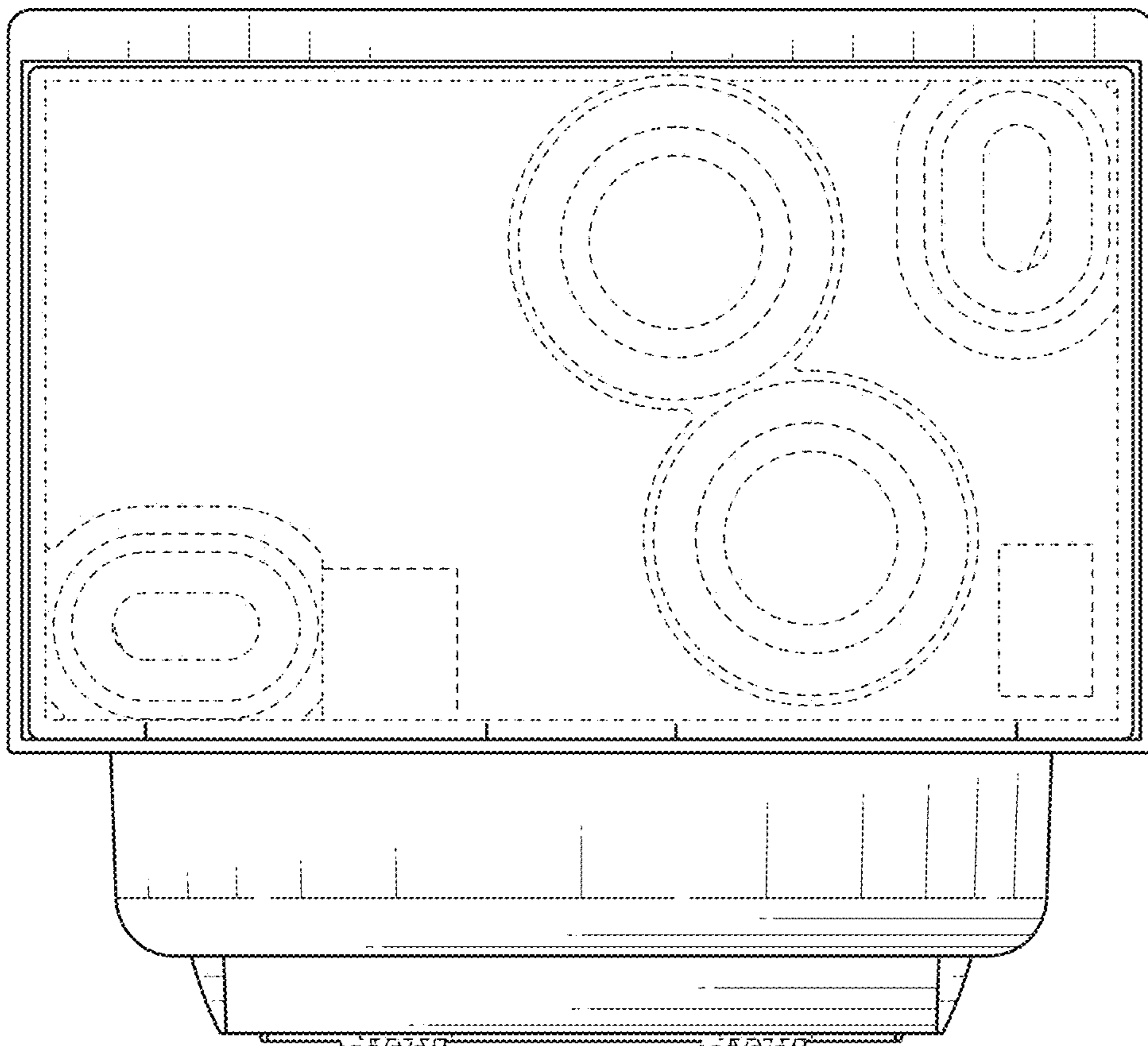


FIG. 5

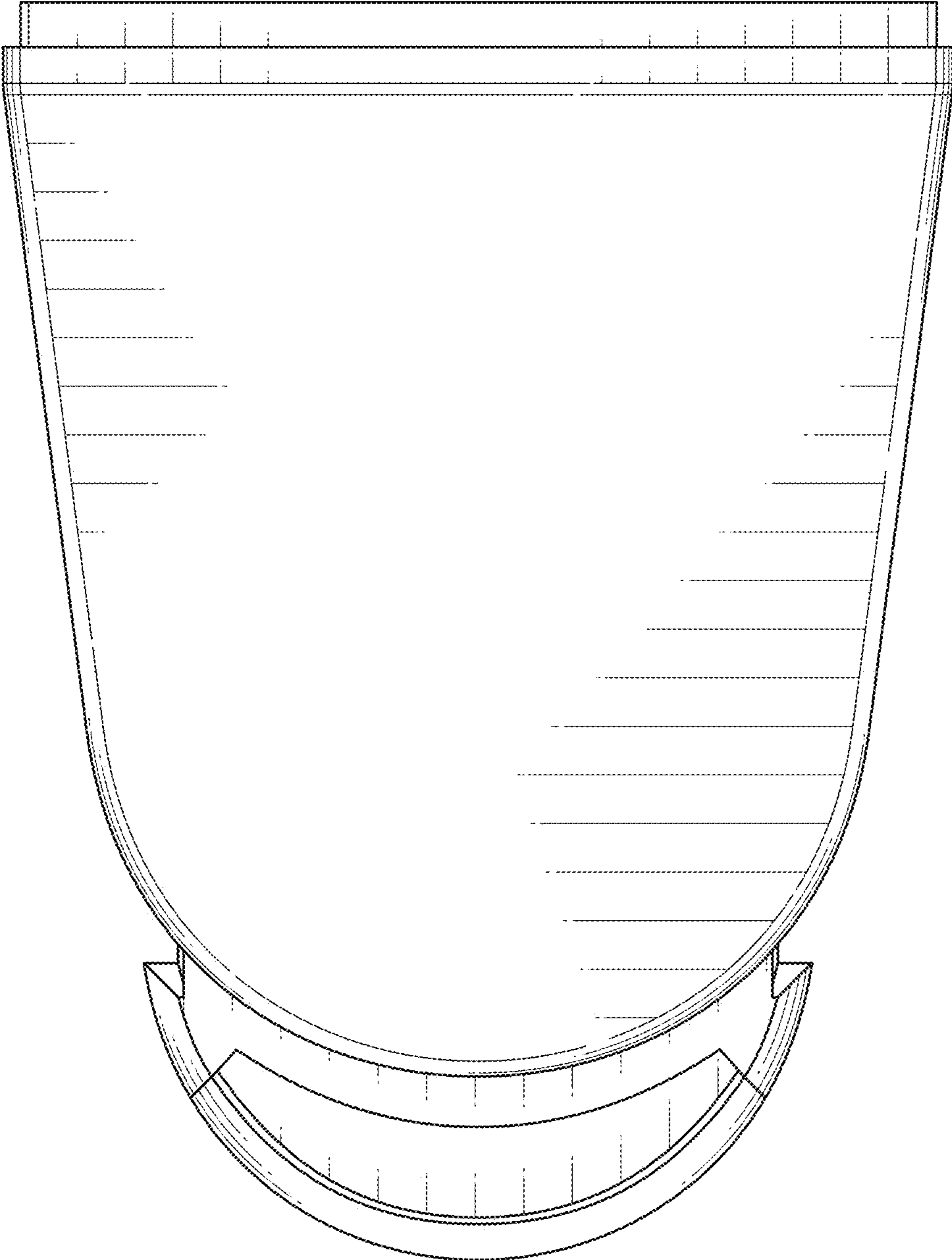


FIG. 6

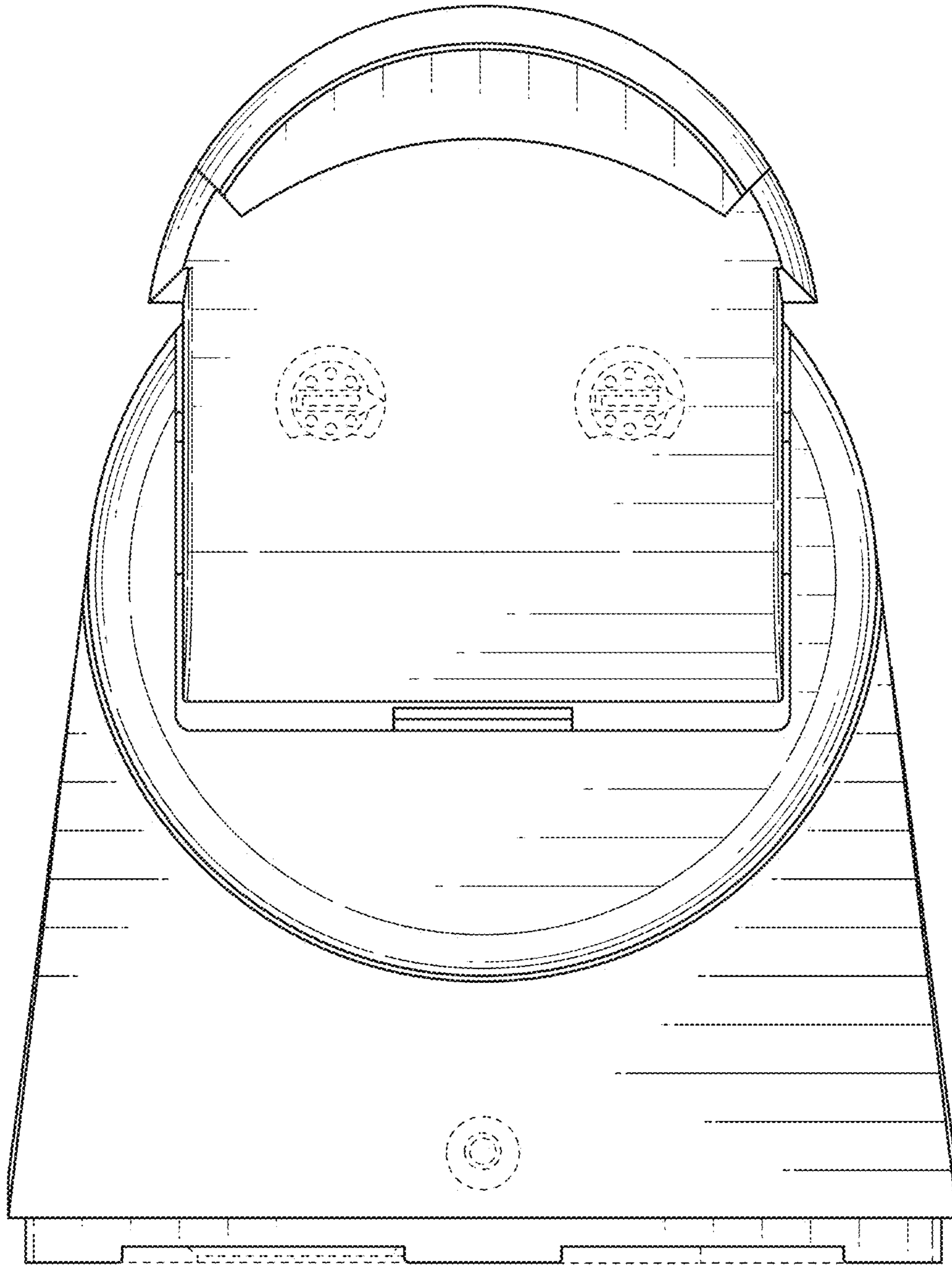


FIG. 7