



US00D961425S

(12) **United States Design Patent** (10) **Patent No.:** **US D961,425 S**
Prevoteau et al. (45) **Date of Patent:** **** Aug. 23, 2022**

(54) **OPTICAL SENSOR**

(71) Applicant: **SOMFY ACTIVITES SA**, Cluses (FR)

(72) Inventors: **Mathieu Prevoteau**, Cran Gevrier (FR);
Thomas Desagre, Cluses (FR)

(73) Assignee: **SOMFY ACTIVITES SA**, Cluses (FR)

(**) Term: **15 Years**

(21) Appl. No.: **29/716,345**

(22) Filed: **Dec. 9, 2019**

Related U.S. Application Data

(62) Division of application No. 35/506,084, filed on Oct. 8, 2018 (U.S. filing date under 35 U.S.C. 384), and having an international filing date of Oct. 8, 2018, now Pat. No. Des. 873,687.

(30) **Foreign Application Priority Data**

Apr. 13, 2018 (EM) 005233459-0002

(51) **LOC (13) Cl.** **10-04**

(52) **U.S. Cl.**
USPC **D10/81**

(58) **Field of Classification Search**
USPC D10/106.2, 81; D16/203, 130; D24/169
See application file for complete search history.

(56) **References Cited**

U.S. PATENT DOCUMENTS

D600,264 S *	9/2009	Baumgartner	D16/203
D623,302 S *	9/2010	Barrett	D24/169
D724,462 S *	3/2015	Bould	D10/106.2
D773,949 S *	12/2016	Bolger	D10/106.2
D842,154 S *	3/2019	Dimitriadis	D10/106.2
D852,662 S *	7/2019	Zhong	D10/106.2
D873,687 S *	1/2020	Prevoteau	D10/81

* cited by examiner

Primary Examiner — George D. Kirschbaum

(74) *Attorney, Agent, or Firm* — Stephen J. Weyer, Esq.;
Stites & Harbison, PLLC

(57) **CLAIM**

The ornamental design for a optical sensor, as shown and described.

DESCRIPTION

FIG. 1 is a top, front and left side perspective view of the optical sensor of our design.

FIG. 2 a front elevation view thereof.

FIG. 3 is a rear view thereof.

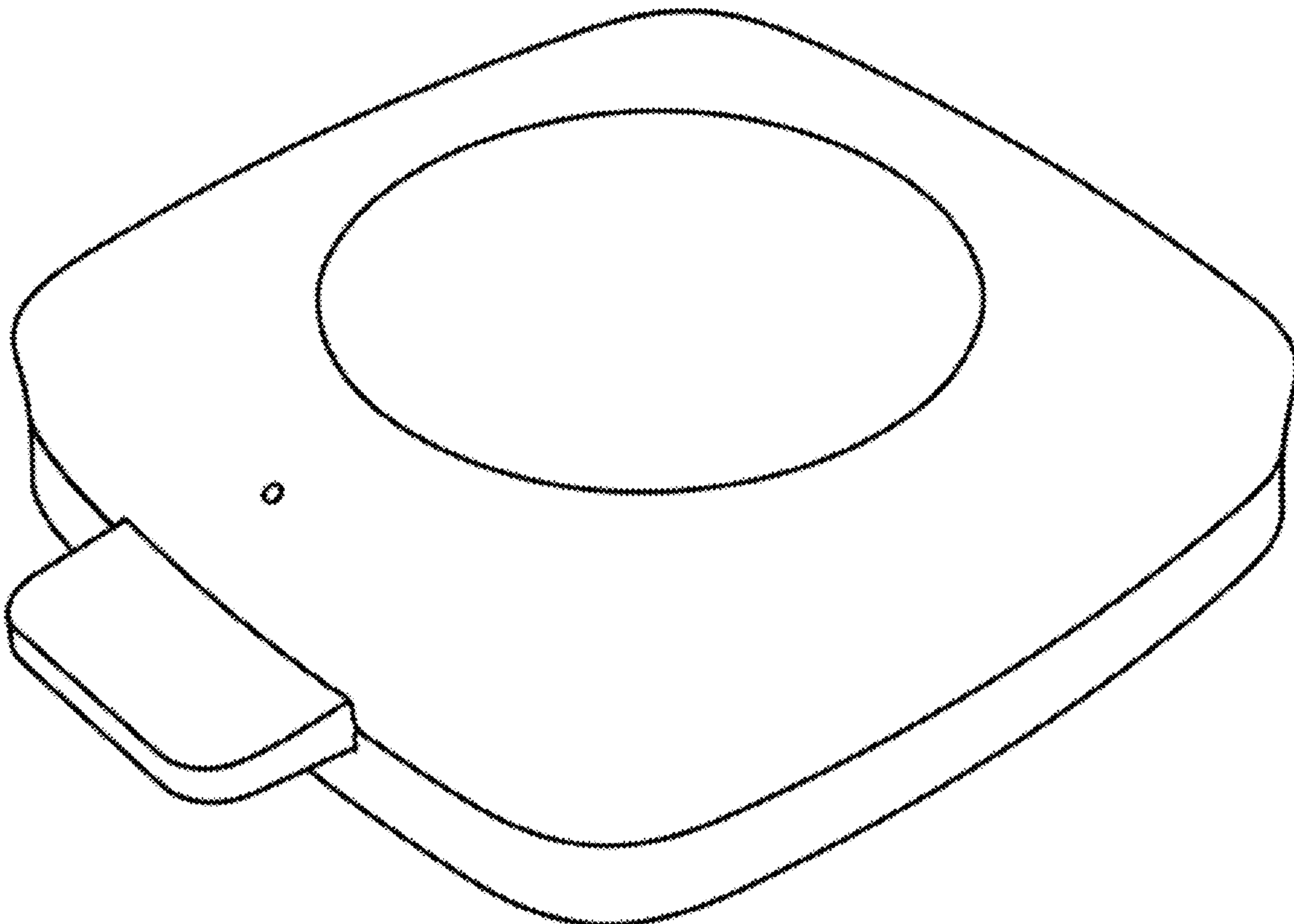
FIG. 4 is a left side elevation view thereof.

FIG. 5 is a right side elevation view thereof.

FIG. 6 is a top plan view thereof; and,

FIG. 7 is a bottom plan view thereof.

1 Claim, 7 Drawing Sheets



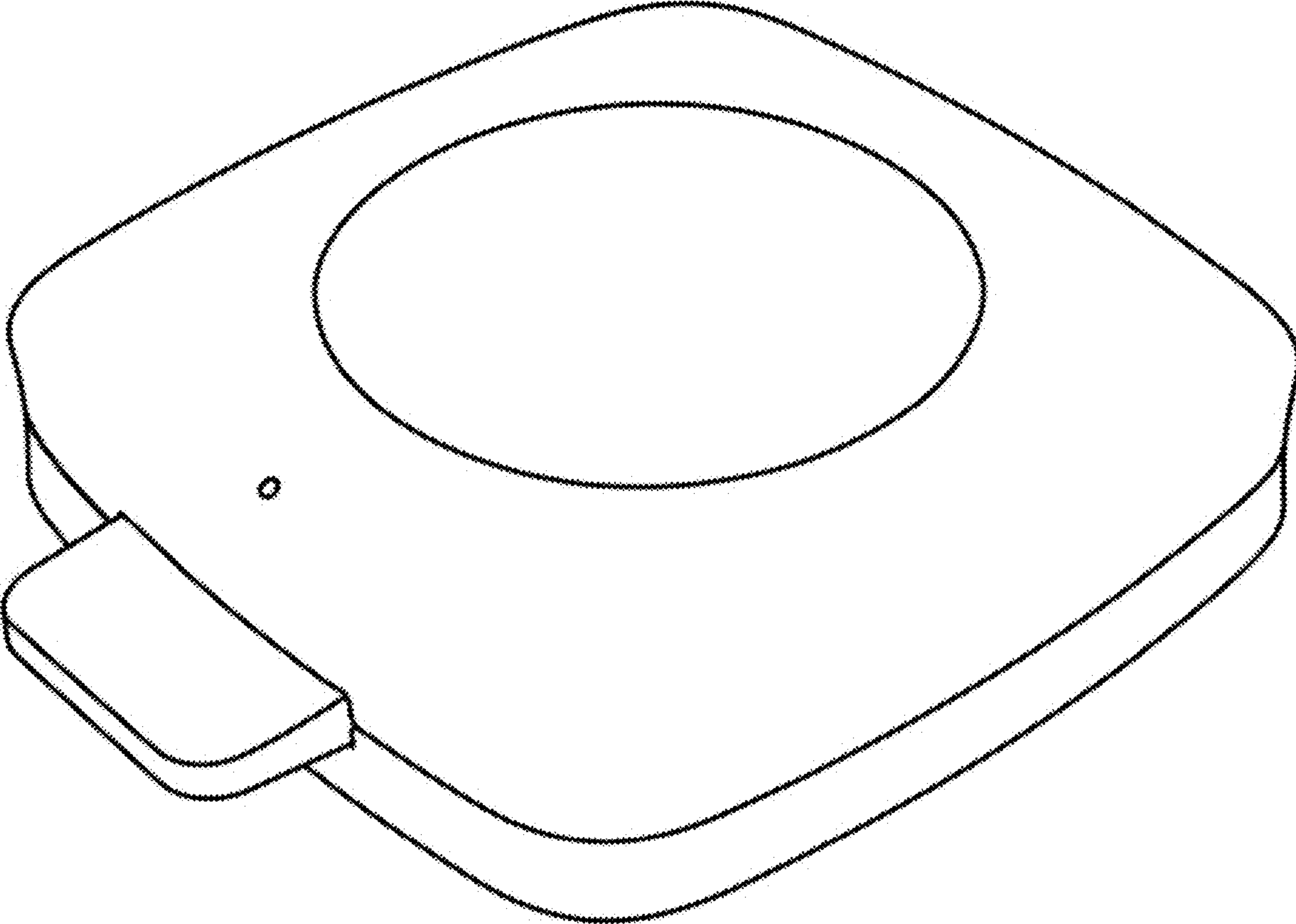


FIG. 1

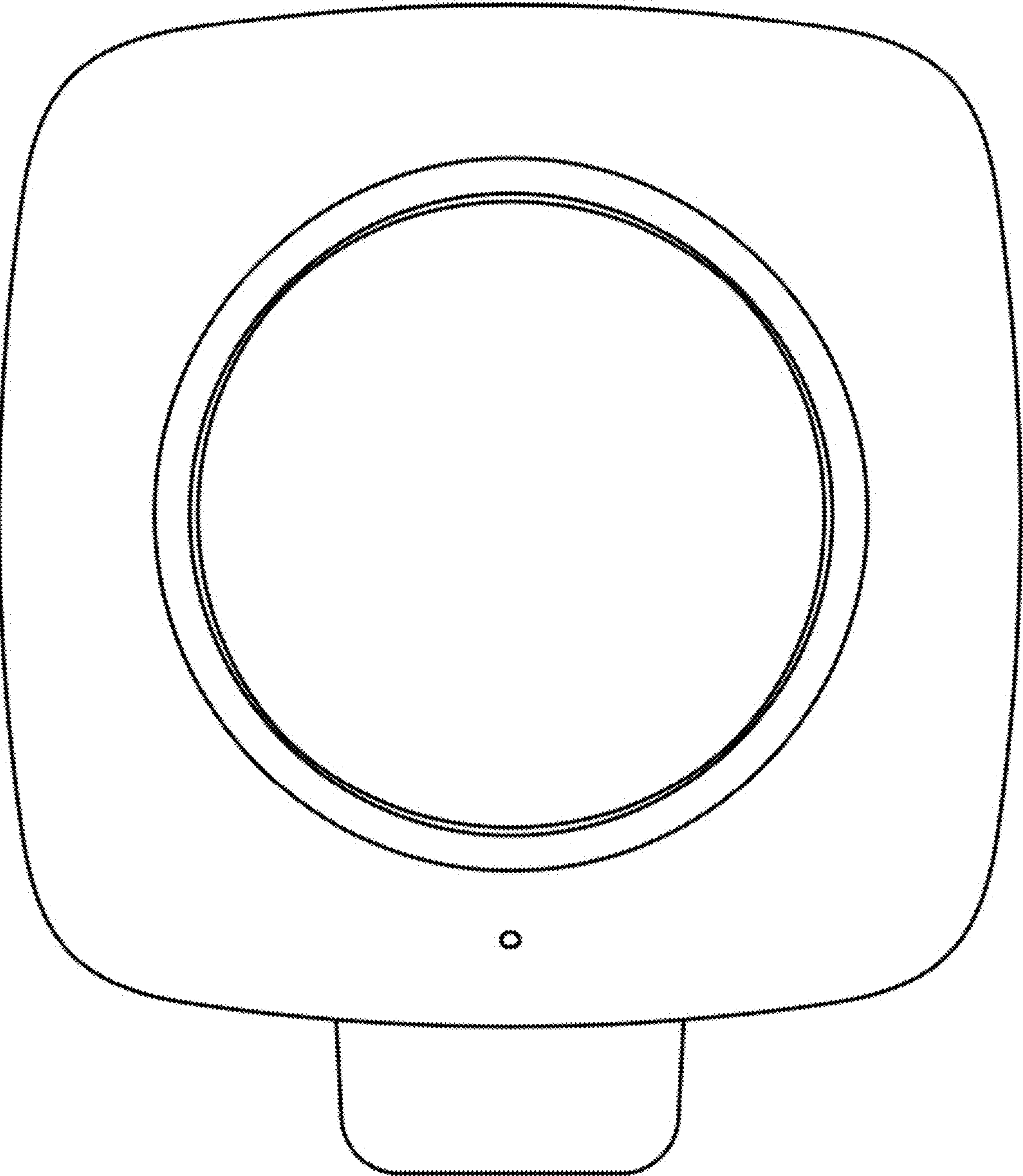


FIG. 2

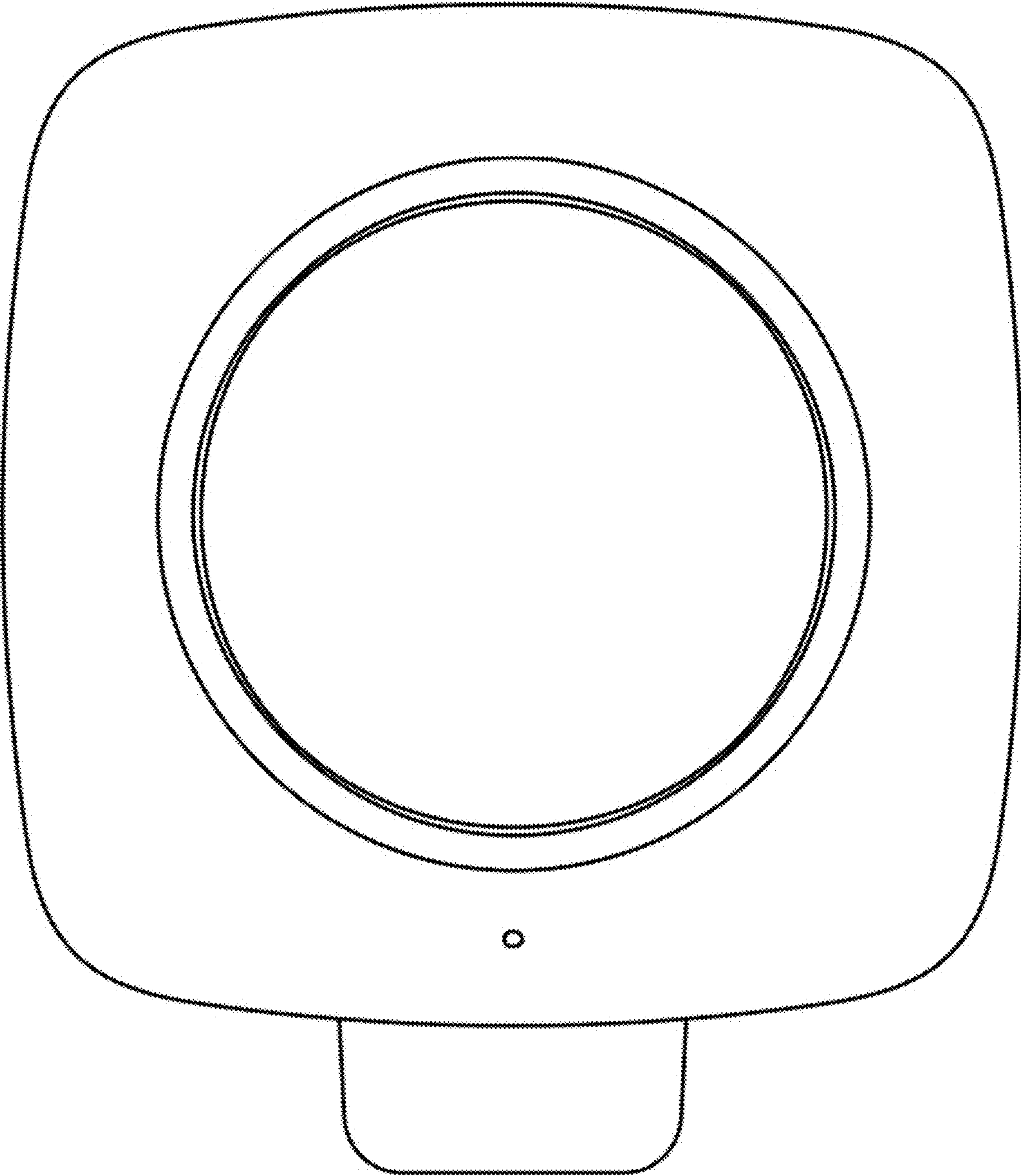


FIG. 3

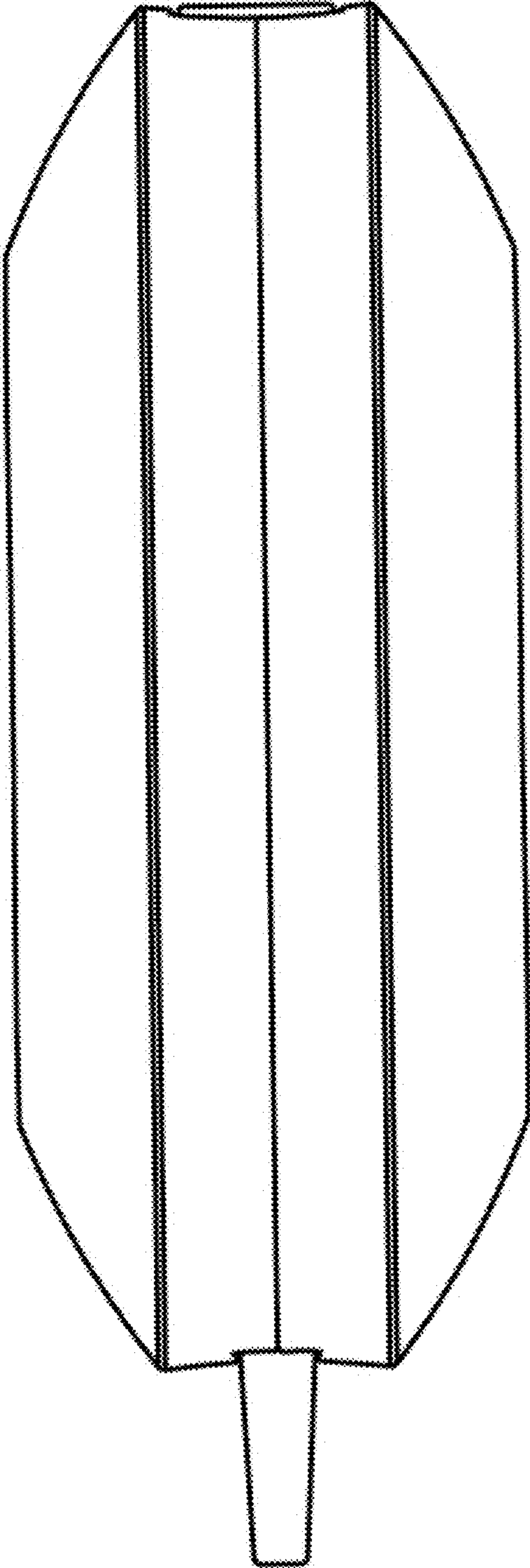


FIG. 4

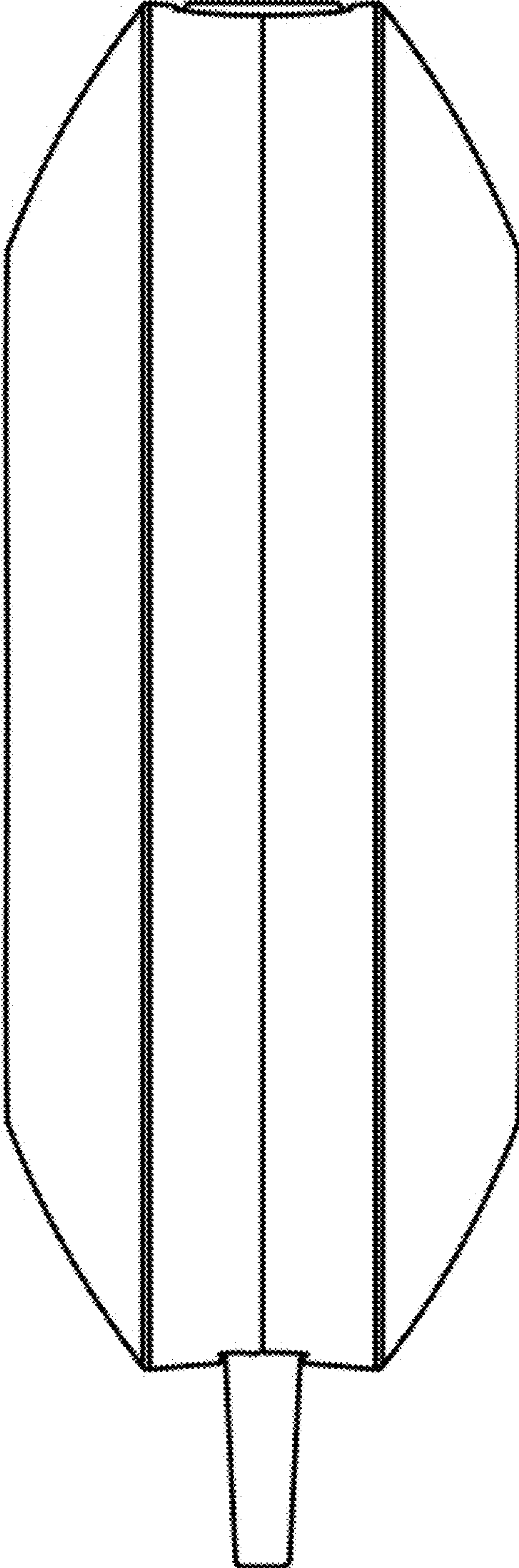


FIG. 5

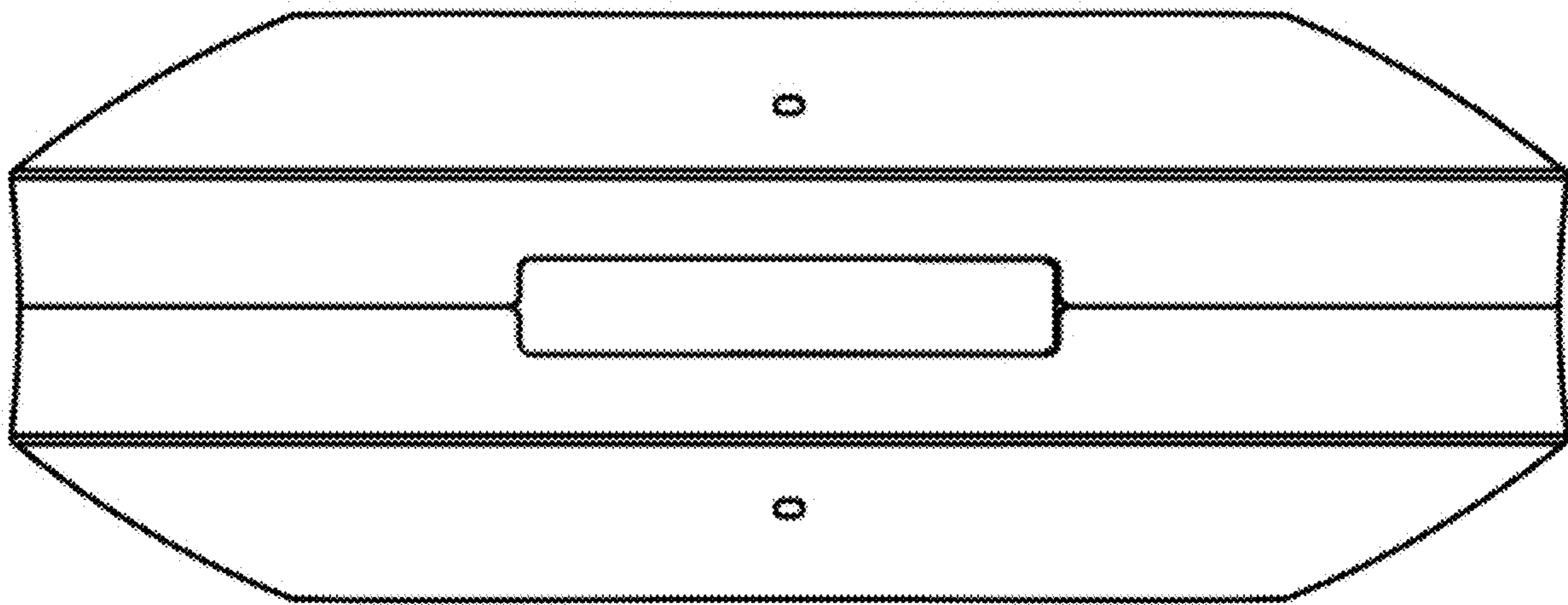


FIG. 6

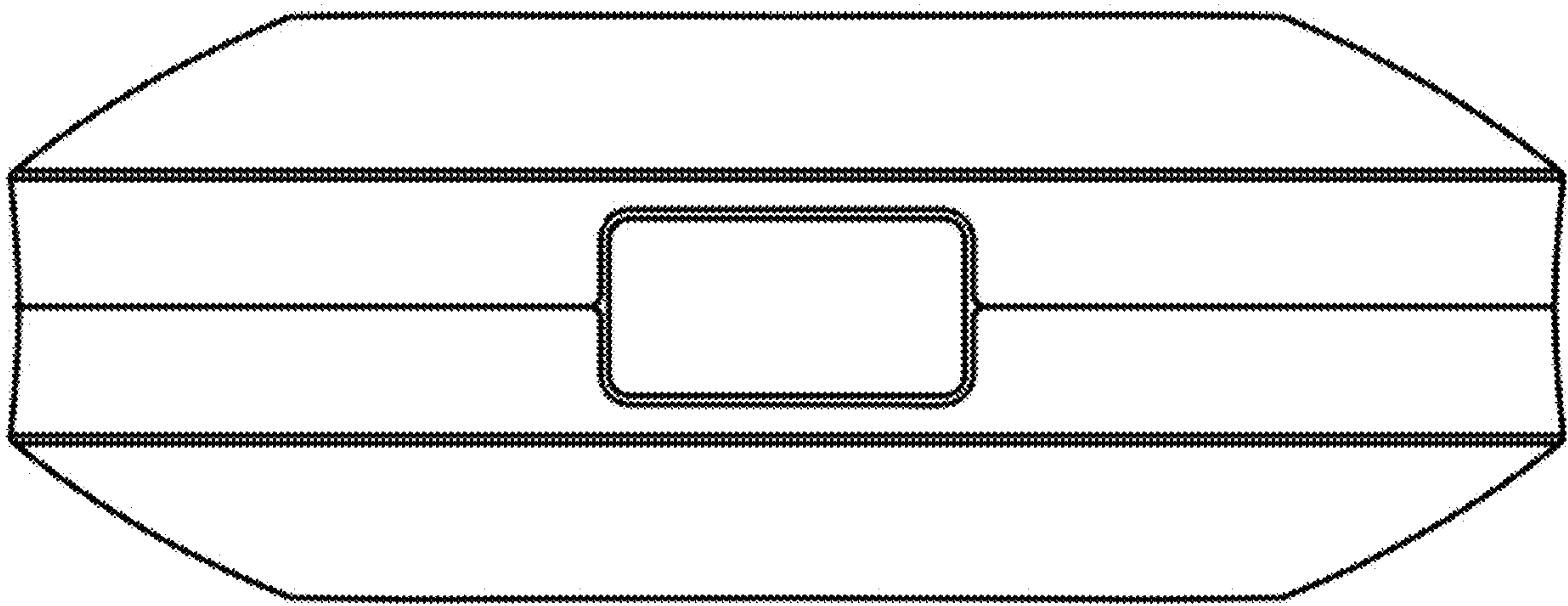


FIG. 7