



US00D961424S

(12) **United States Design Patent**  
**Gonsalves**

(10) **Patent No.: US D961,424 S**

(45) **Date of Patent: \*\* \*Aug. 23, 2022**

- (54) **DEVICE TO AUTOMATE AND SEMIAUTOMATE A FISH TAPE**
- (71) Applicant: **James C. Gonsalves**, Honolulu, HI (US)
- (72) Inventor: **James C. Gonsalves**, Honolulu, HI (US)
- (\* ) Notice: This patent is subject to a terminal disclaimer.

- 6,361,021 B1 \* 3/2002 Brennan ..... B65H 75/305  
254/134.3 FT
  - D474,397 S \* 5/2003 Plummer ..... D8/359
  - 6,691,930 B2 \* 2/2004 Lu ..... B65H 75/40  
239/195
  - 6,722,603 B1 4/2004 Atencio
  - D508,425 S \* 8/2005 Wiesemann ..... D10/74
  - D574,277 S \* 8/2008 Kendzierski ..... D10/72
  - 8,496,229 B1 7/2013 Mayhall
  - 8,695,944 B2 4/2014 Riggins
  - D755,040 S \* 5/2016 Ito ..... D8/358
- (Continued)

- (\*\*) Term: **15 Years**
- (21) Appl. No.: **29/754,923**
- (22) Filed: **Oct. 15, 2020**

**Related U.S. Application Data**

- (63) Continuation of application No. 29/684,124, filed on Mar. 19, 2019, now Pat. No. Des. 902,758.
- (51) **LOC (13) Cl.** ..... **10-04**
- (52) **U.S. Cl.**  
USPC ..... **D10/74**
- (58) **Field of Classification Search**  
USPC ..... D10/72, 74; D8/358, 51, 14  
CPC ..... B65H 75/40; B65H 2701/376; B65H  
2402/412  
See application file for complete search history.

(56) **References Cited**

**U.S. PATENT DOCUMENTS**

- 4,306,688 A \* 12/1981 Hechler, IV ..... B65H 75/40  
242/397
- 4,413,808 A 11/1983 Finkle
- 4,917,362 A 4/1990 Wilson
- 5,110,092 A \* 5/1992 Blaha ..... B65H 75/18  
254/134.3 FT
- D408,749 S 4/1999 Walsten
- D431,480 S \* 10/2000 Walsten ..... D10/72

**FOREIGN PATENT DOCUMENTS**

- WO WO 2006/122129 A1 11/2006
- Primary Examiner* — Philip S Hyder
- (74) *Attorney, Agent, or Firm* — Antonio Papageorgiou, Esq; Lombard Geliebter LLP

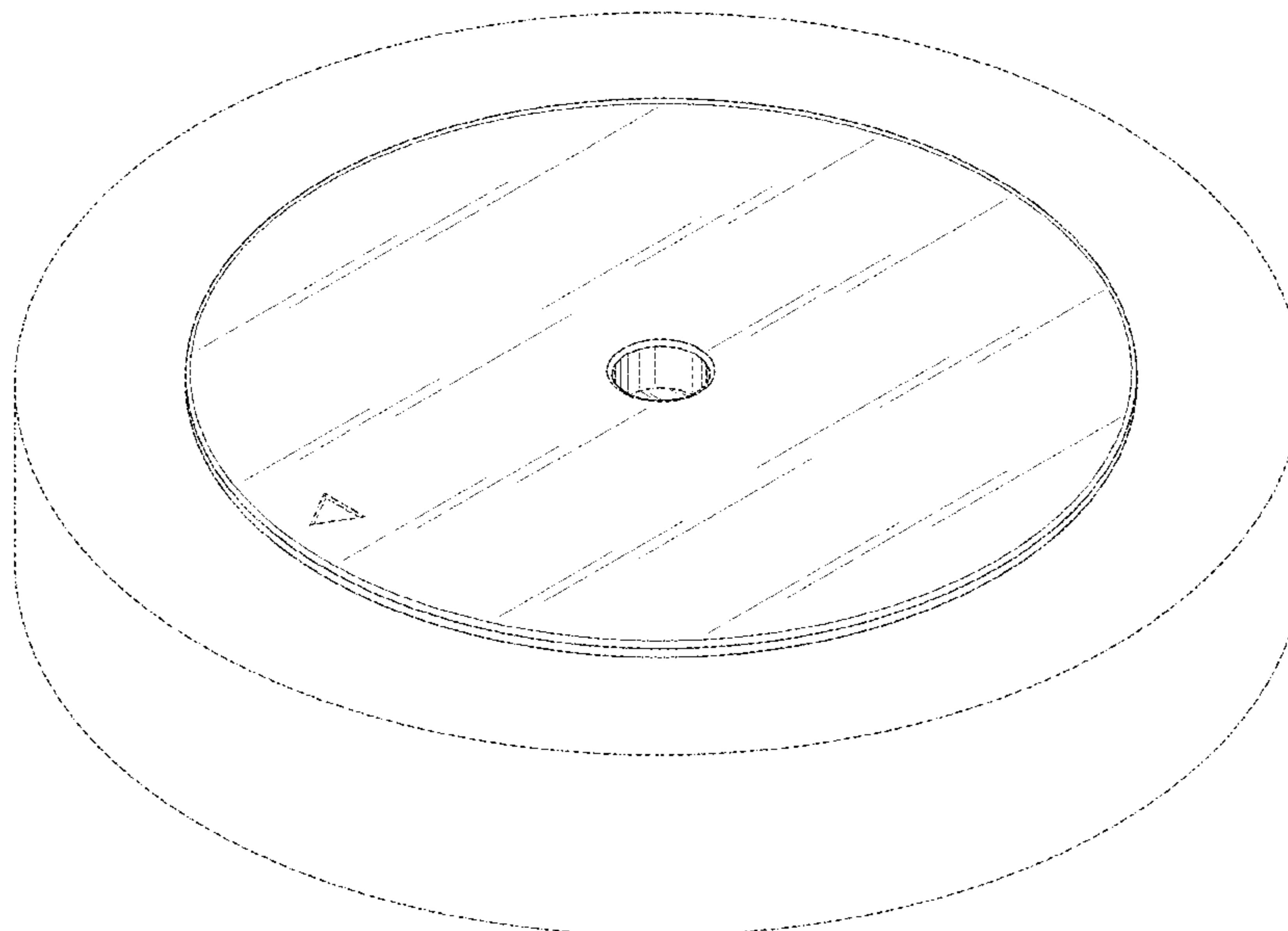
(57) **CLAIM**

The ornamental design for device to automate and semiautomate a fish tape, as shown and described.

**DESCRIPTION**

FIG. 1 is a top, front and right side perspective view of the device to automate and semiautomate a fish tape according to my new design;  
 FIG. 2 is a front view thereof;  
 FIG. 3 is a back view thereof;  
 FIG. 4 is a left side view thereof;  
 FIG. 5 is a right side view thereof;  
 FIG. 6 is a top view thereof;  
 FIG. 7 is a bottom view thereof; and,  
 FIG. 8 is a bottom, front and right side perspective view of the invention according to one embodiment of my new design.  
 The dashed lines shown in the drawings illustrate environmental structure and form no part of the claimed design.

**1 Claim, 8 Drawing Sheets**



(56)

**References Cited**

U.S. PATENT DOCUMENTS

D821,599 S \* 6/2018 Greenhouse ..... D24/212  
D902,758 S \* 11/2020 Gonsalves ..... D10/74

\* cited by examiner

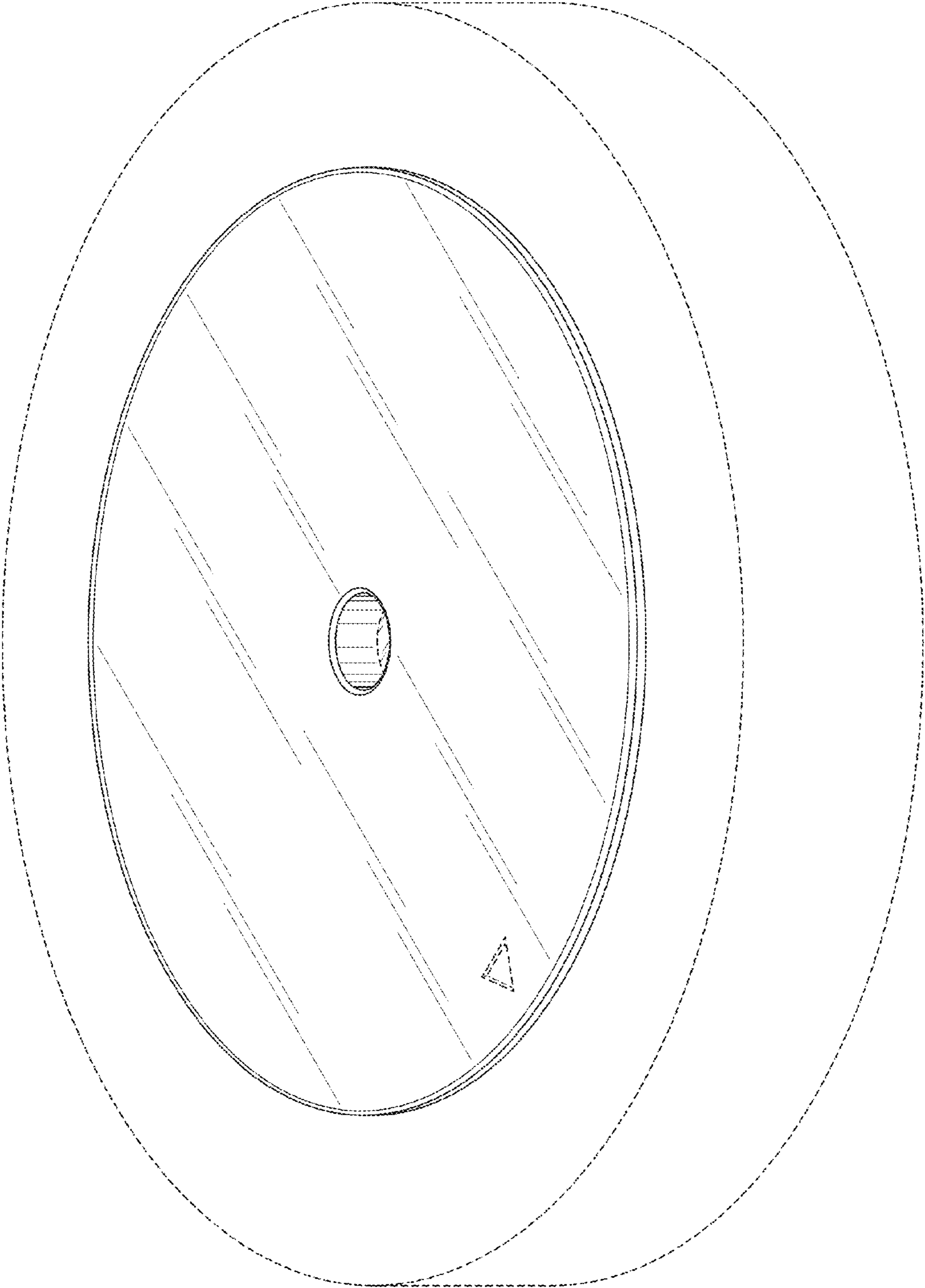


FIG. 1

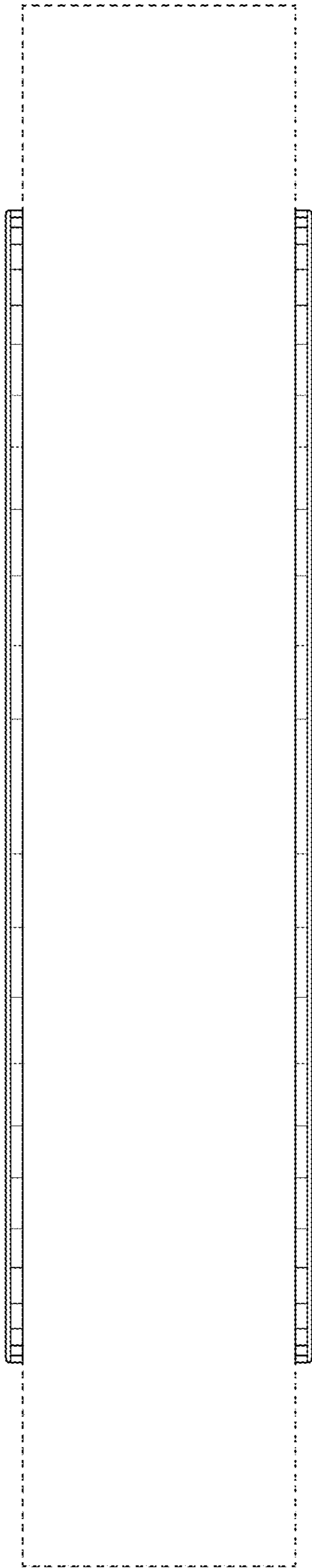


FIG. 2

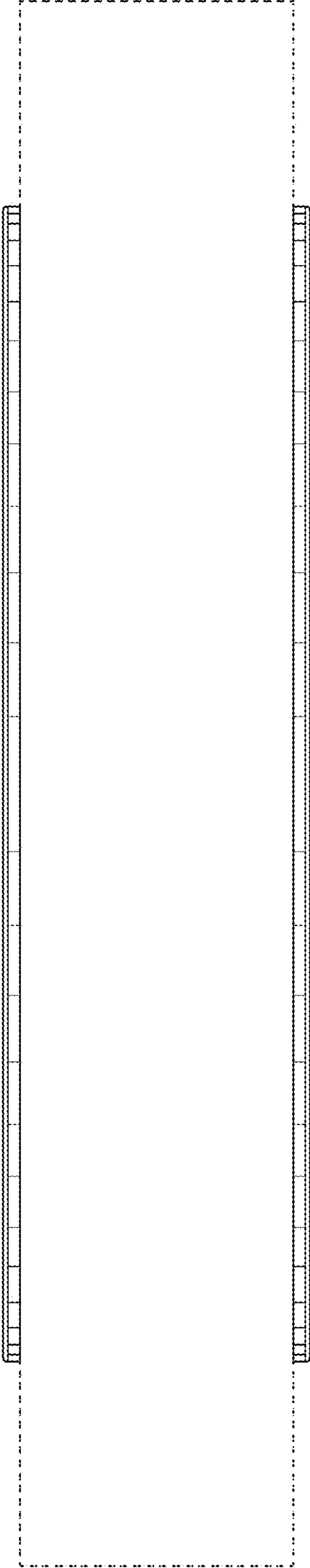


FIG. 3

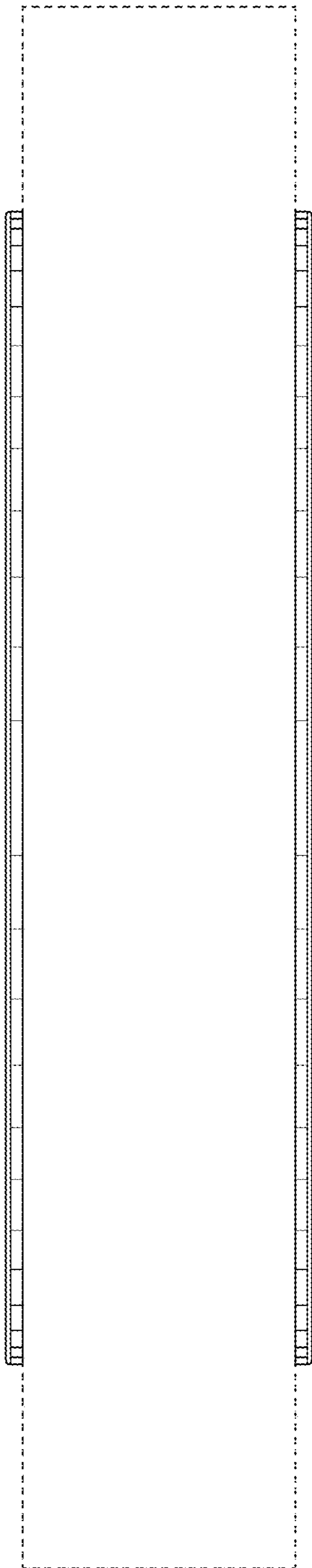


FIG. 4

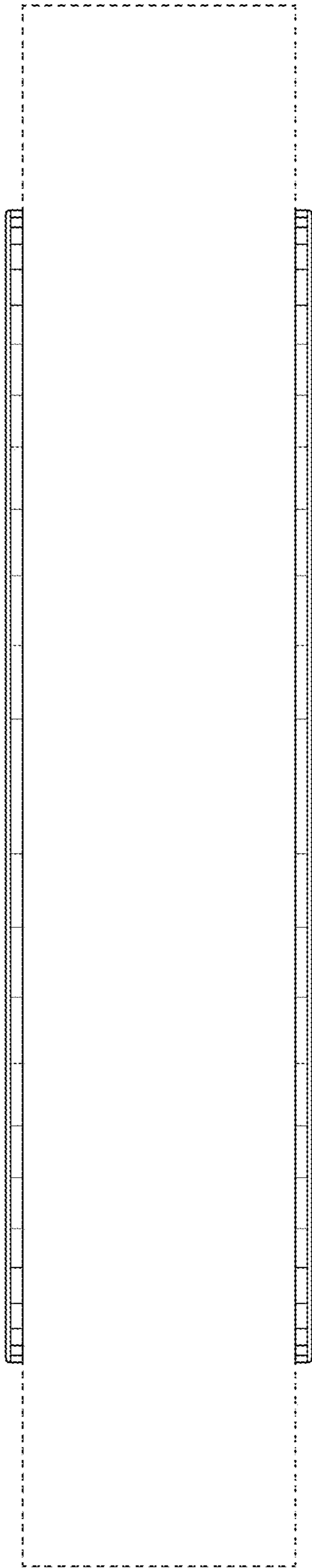


FIG. 5

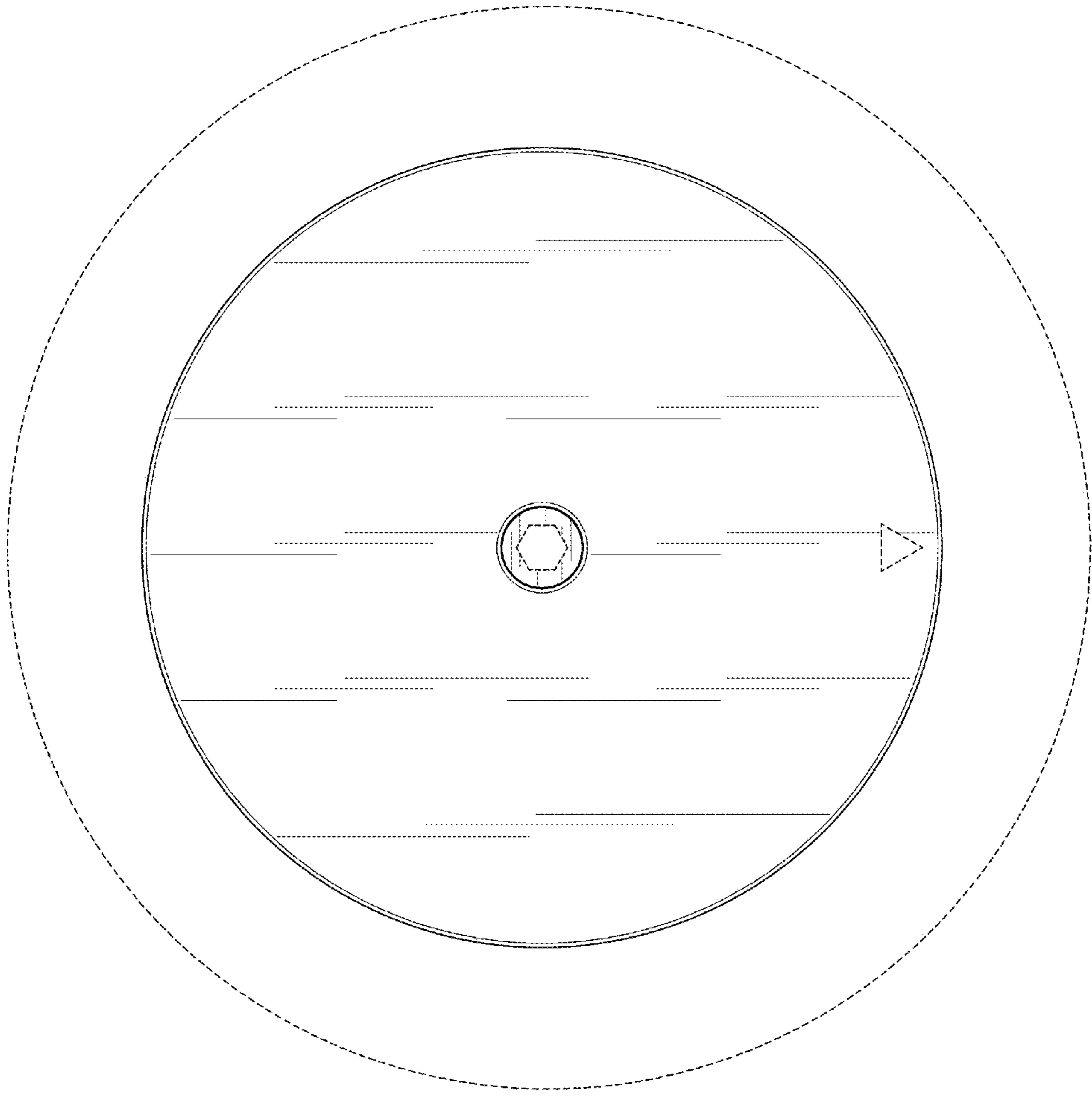


FIG. 6



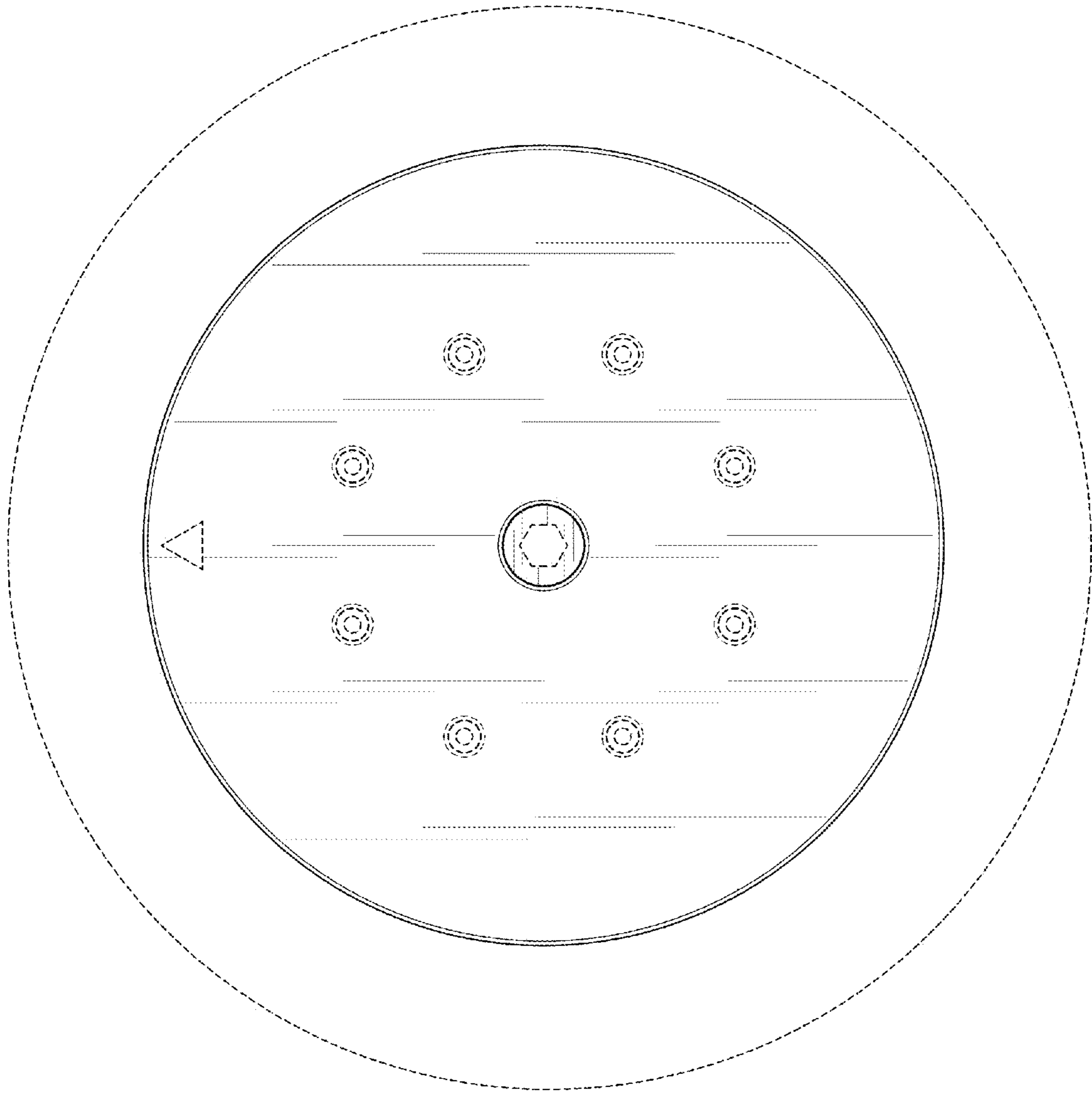


FIG. 7

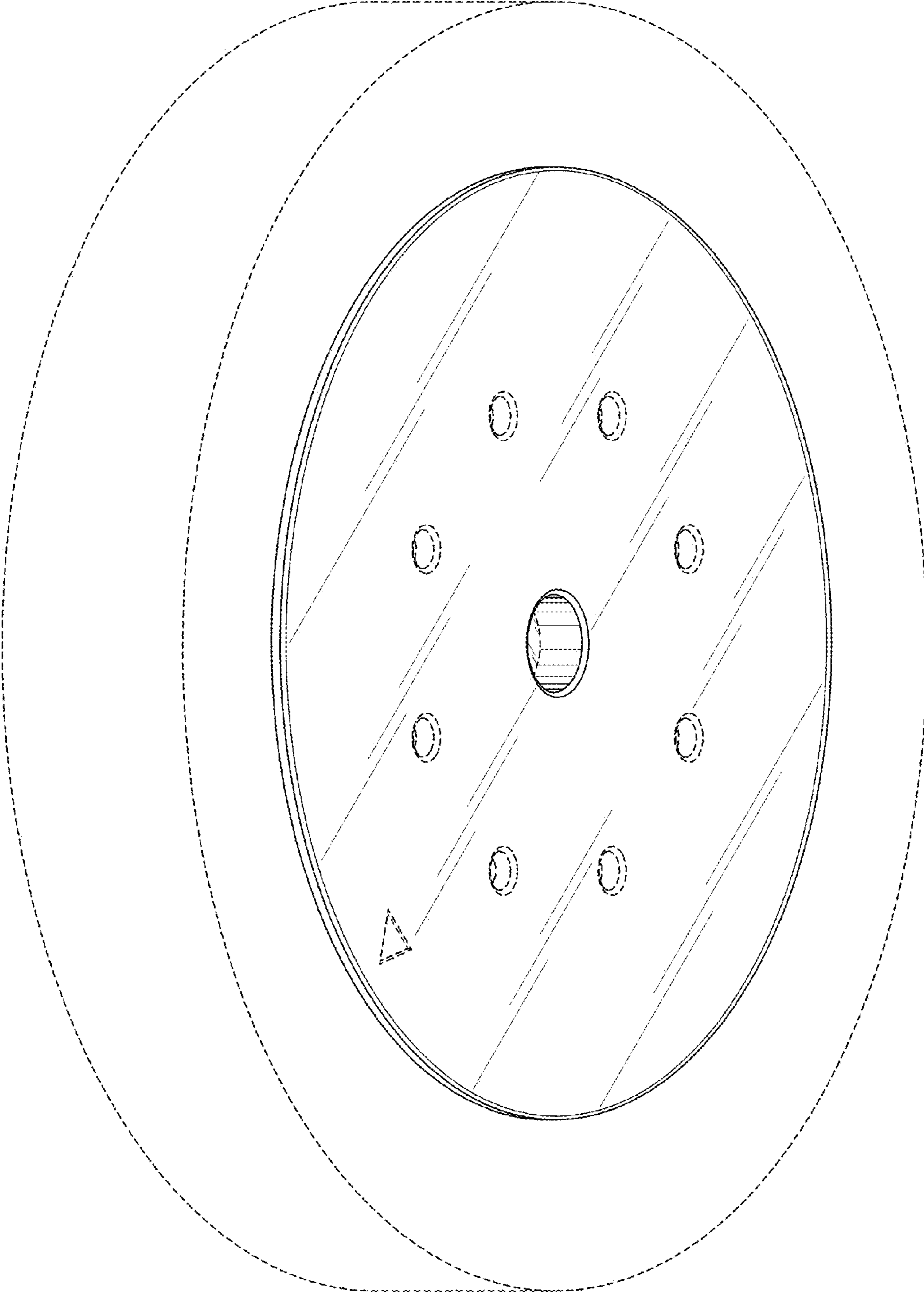


FIG. 8