



US00D961422S

(12) **United States Design Patent** (10) **Patent No.:** **US D961,422 S**
Ning (45) **Date of Patent:** **** Aug. 23, 2022**

- (54) **LIDAR HOUSING**
- (71) Applicant: **TUSIMPLE, INC.**, San Diego, CA (US)
- (72) Inventor: **Juexiao Ning**, Tucson, AZ (US)
- (73) Assignee: **TUSIMPLE, INC.**, San Diego, CA (US)
- (**) Term: **15 Years**
- (21) Appl. No.: **29/755,911**
- (22) Filed: **Oct. 23, 2020**
- (51) **LOC (13) Cl.** **10-04**
- (52) **U.S. Cl.**
USPC **D10/70**
- (58) **Field of Classification Search**
USPC D10/46, 65, 70, 74, 75, 81, 103;
D12/174, 187; D14/204, 229; D16/208,
D16/242
CPC G01S 17/88; G01S 17/931; G01S 13/931;
G01S 15/931; G01S 2013/9325; G01S
13/93; G01S 13/426; G01S 15/93; G01S
7/4806; G08G 5/045; G08G 5/025; B60R
21/0134; B60R 2011/004; B60R
2300/301; B60Q 9/008; B60Q 1/0023
See application file for complete search history.

(56) **References Cited**

U.S. PATENT DOCUMENTS

D213,465 S *	3/1969	Tucker	D10/103
D388,107 S *	12/1997	Huckins	D16/208
D558,250 S *	12/2007	Hsia	D16/242
D589,996 S *	4/2009	Kellar	D16/242
D612,712 S *	3/2010	Rix	D16/242
D625,625 S *	10/2010	Riddiford	D10/65
D625,626 S *	10/2010	Riddiford	D10/65
D651,635 S *	1/2012	Hong	D16/208
D680,148 S *	4/2013	Unno	D16/208

D702,609 S *	4/2014	Hovind	D12/187
D753,209 S *	4/2016	Zetsu	D16/208
D772,739 S *	11/2016	Browning	D10/74
D791,658 S *	7/2017	Ito	D12/187
D815,577 S *	4/2018	Chiang	D12/187
D875,810 S *	2/2020	Hohnl	D16/208
D882,426 S *	4/2020	Gross	D10/70
D886,694 S *	6/2020	Liu	D12/174
D914,079 S *	3/2021	van den Brink	D16/242
D930,534 S *	9/2021	He	D12/187
D930,535 S *	9/2021	He	D12/187
D935,510 S *	11/2021	Yang	D16/208
2018/0372875 A1	12/2018	Juelsgaard		
2020/0142426 A1	5/2020	Gist		
2021/0031692 A1*	2/2021	Ning	B60R 1/12

* cited by examiner

Primary Examiner — George D. Kirschbaum
Assistant Examiner — Lillian Windham
(74) *Attorney, Agent, or Firm* — Paul Liu; Julie J. Muyco; Perkins Coie, LLP

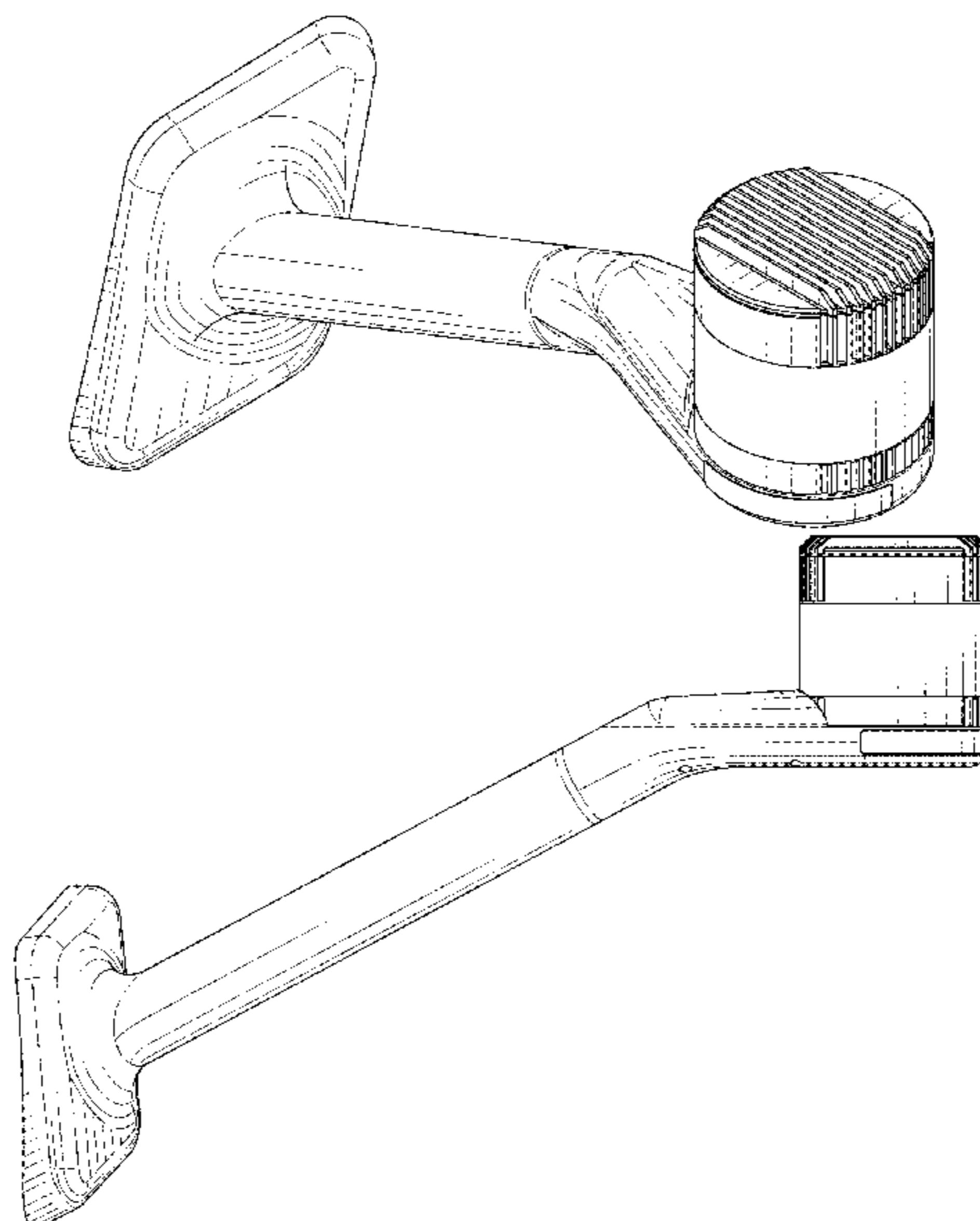
(57) **CLAIM**

The ornamental design for a lidar housing, as shown and described.

DESCRIPTION

FIG. 1 is a perspective view of a lidar housing showing the new design;
FIG. 2 is a front view thereof;
FIG. 3 is a rear view thereof;
FIG. 4 is a left side view thereof;
FIG. 5 is a right side view thereof;
FIG. 6 is a top view thereof;
FIG. 7 is a bottom view thereof;
FIG. 8 is a perspective view of lidar housing shown in use;
and,
FIG. 9 is an elevation view of a lidar housing shown in use.
The broken lines shown represent unclaimed elements and environment that form no part of the claimed design.

1 Claim, 5 Drawing Sheets



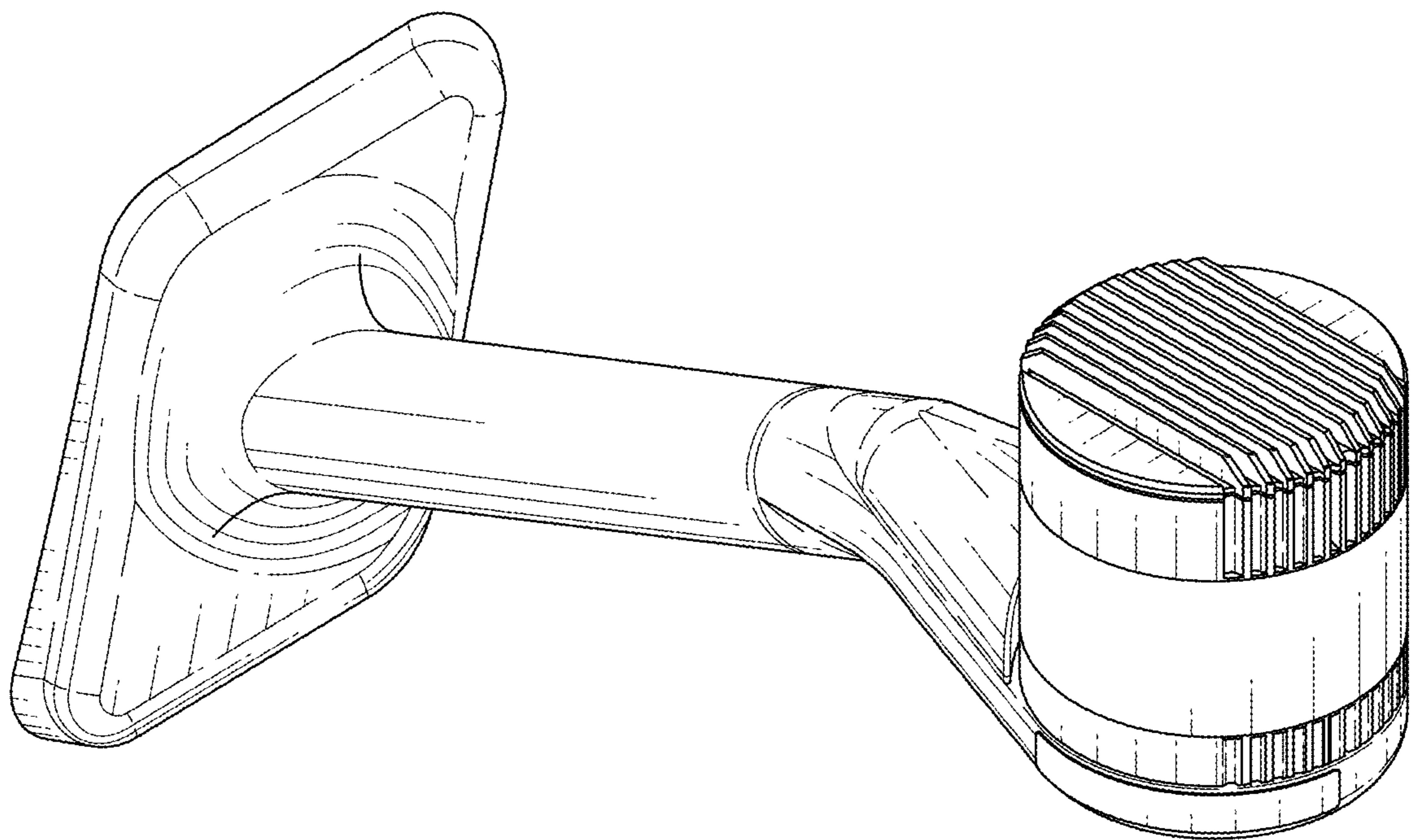


FIG. 1

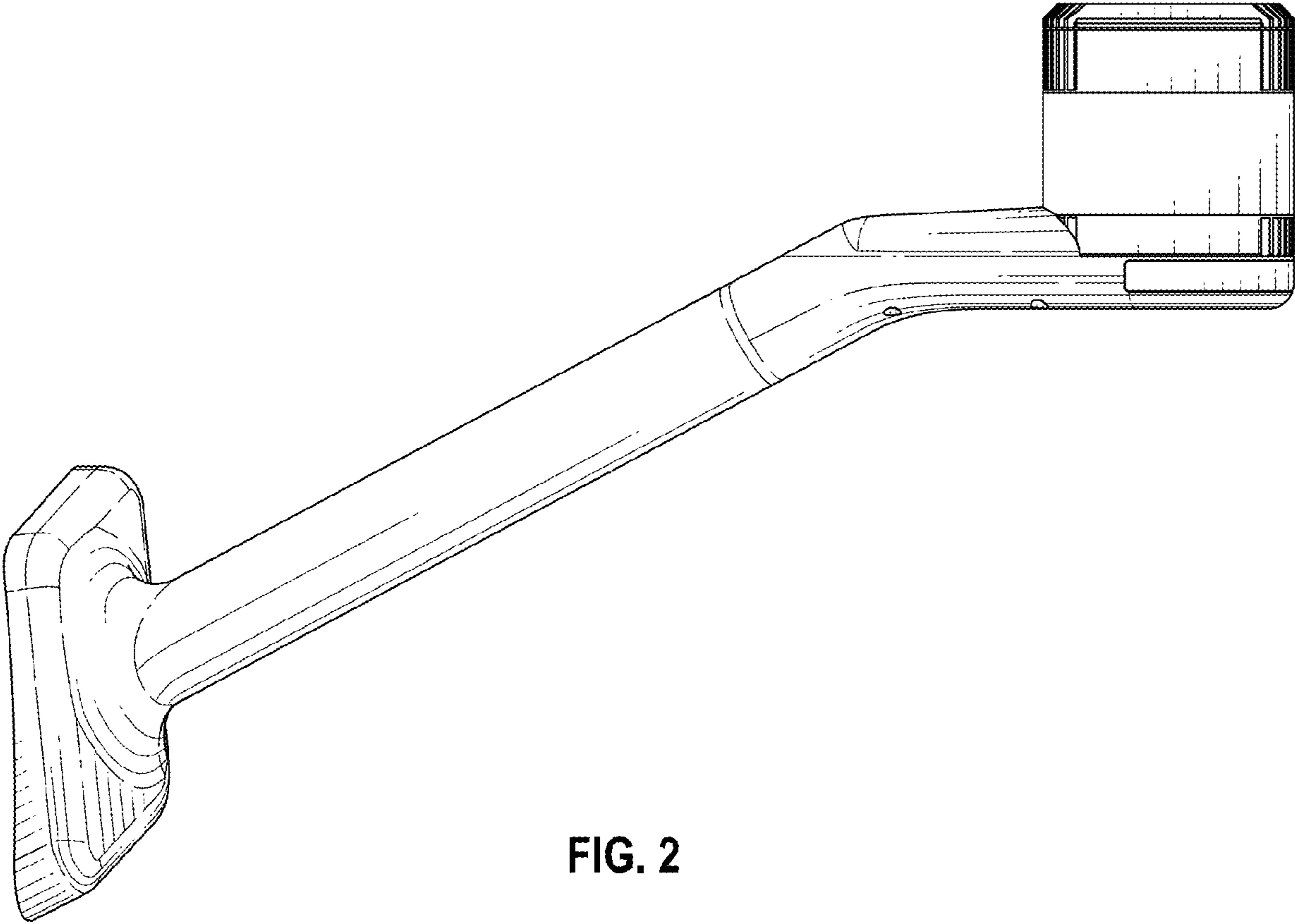


FIG. 2

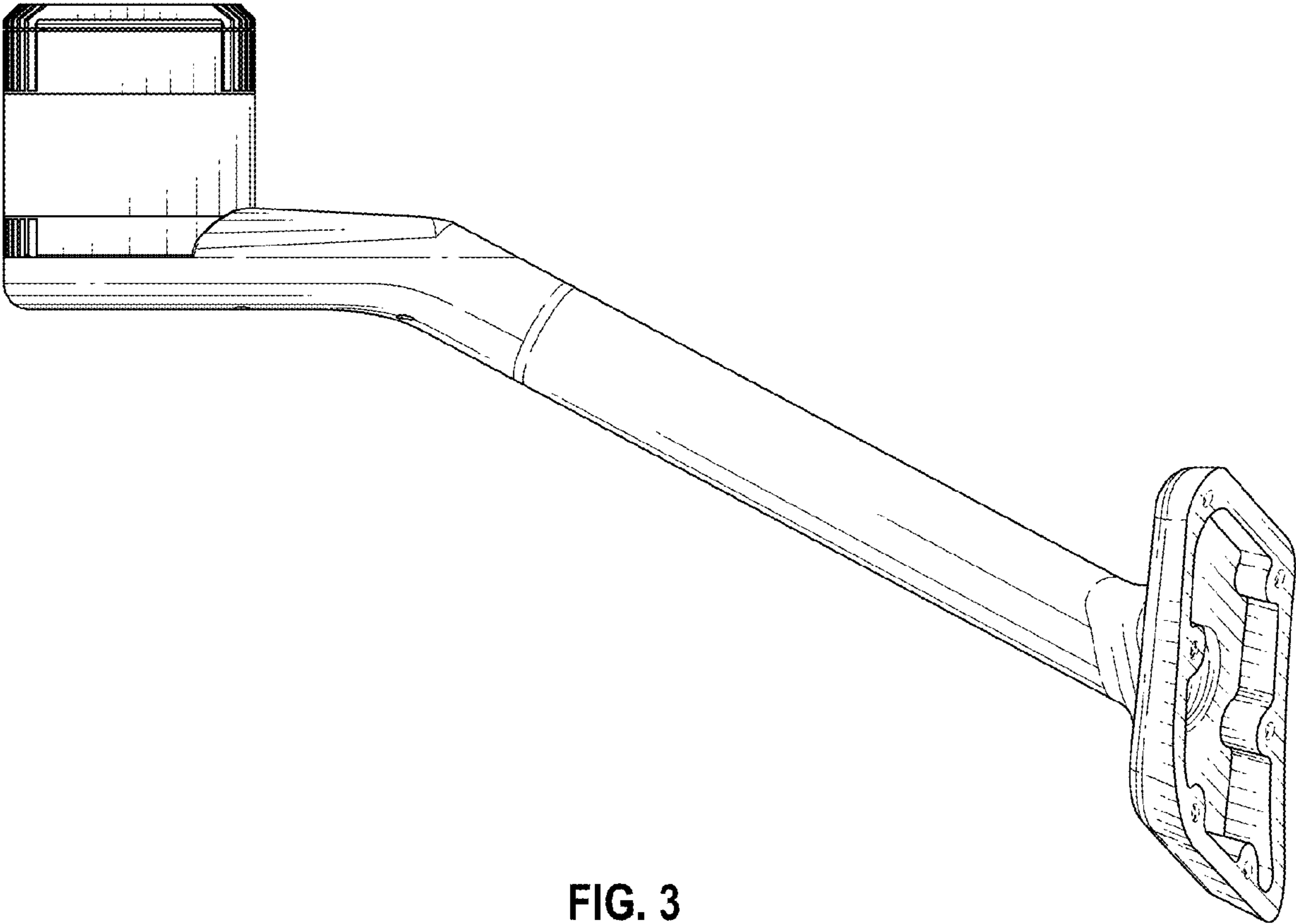


FIG. 3

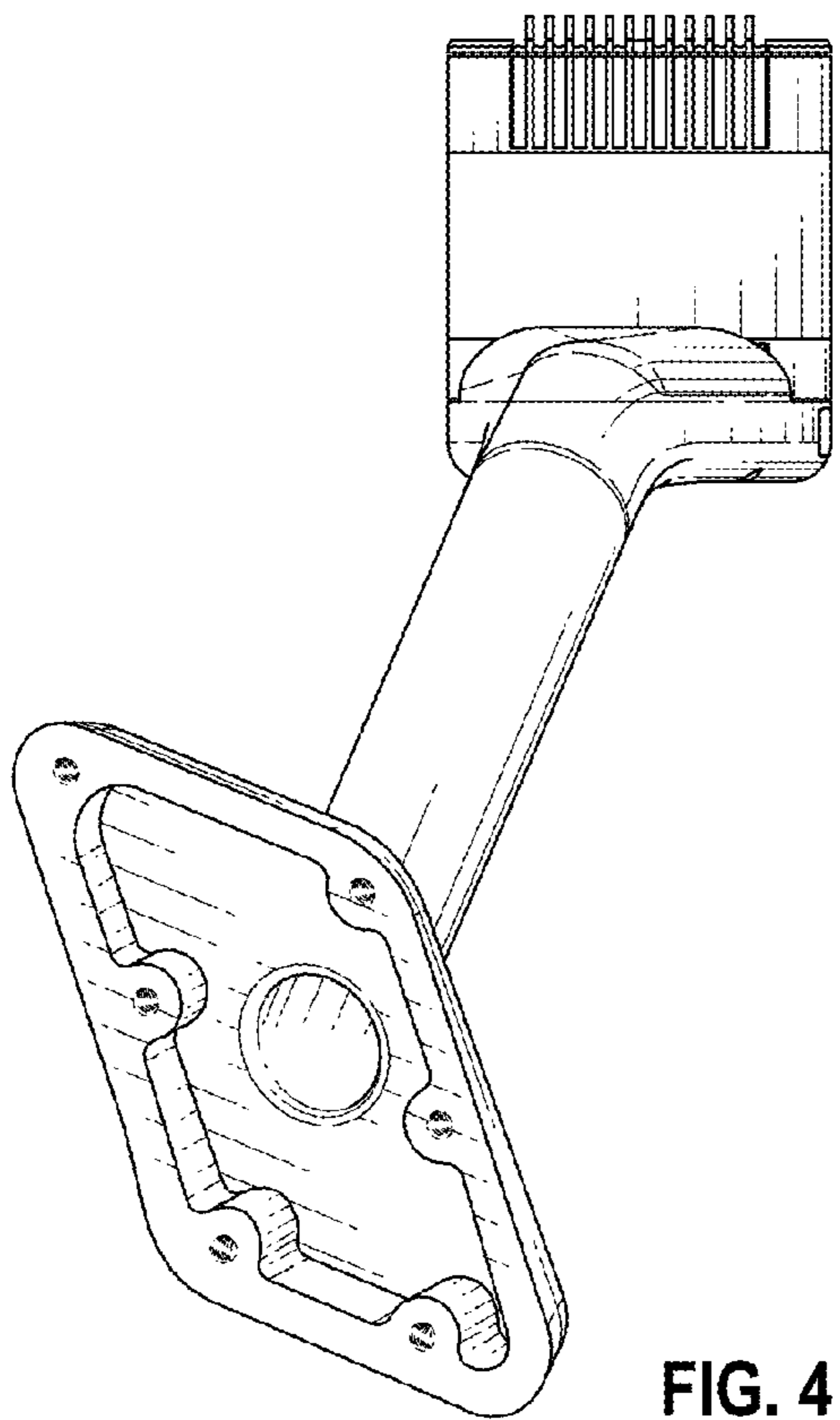


FIG. 4

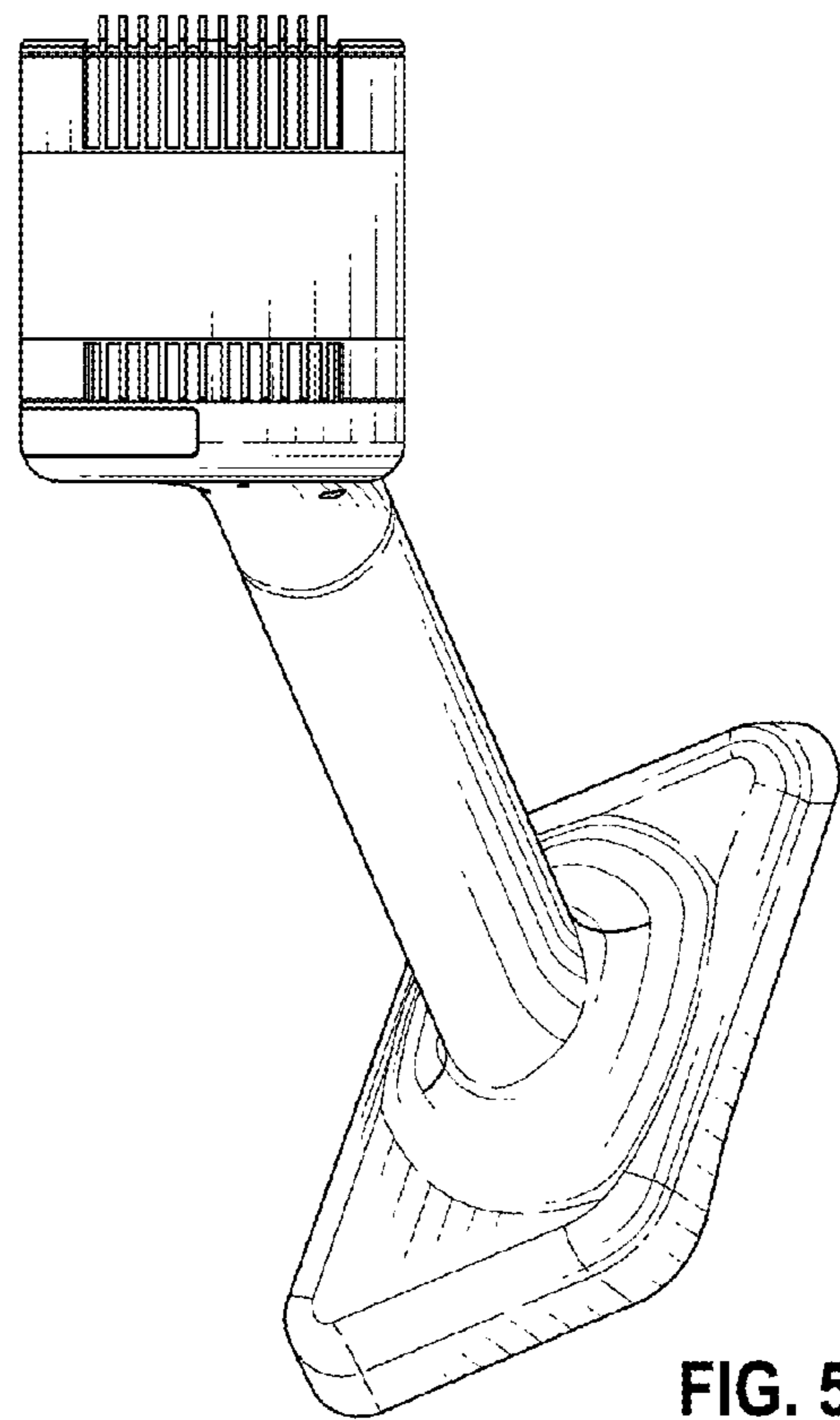


FIG. 5

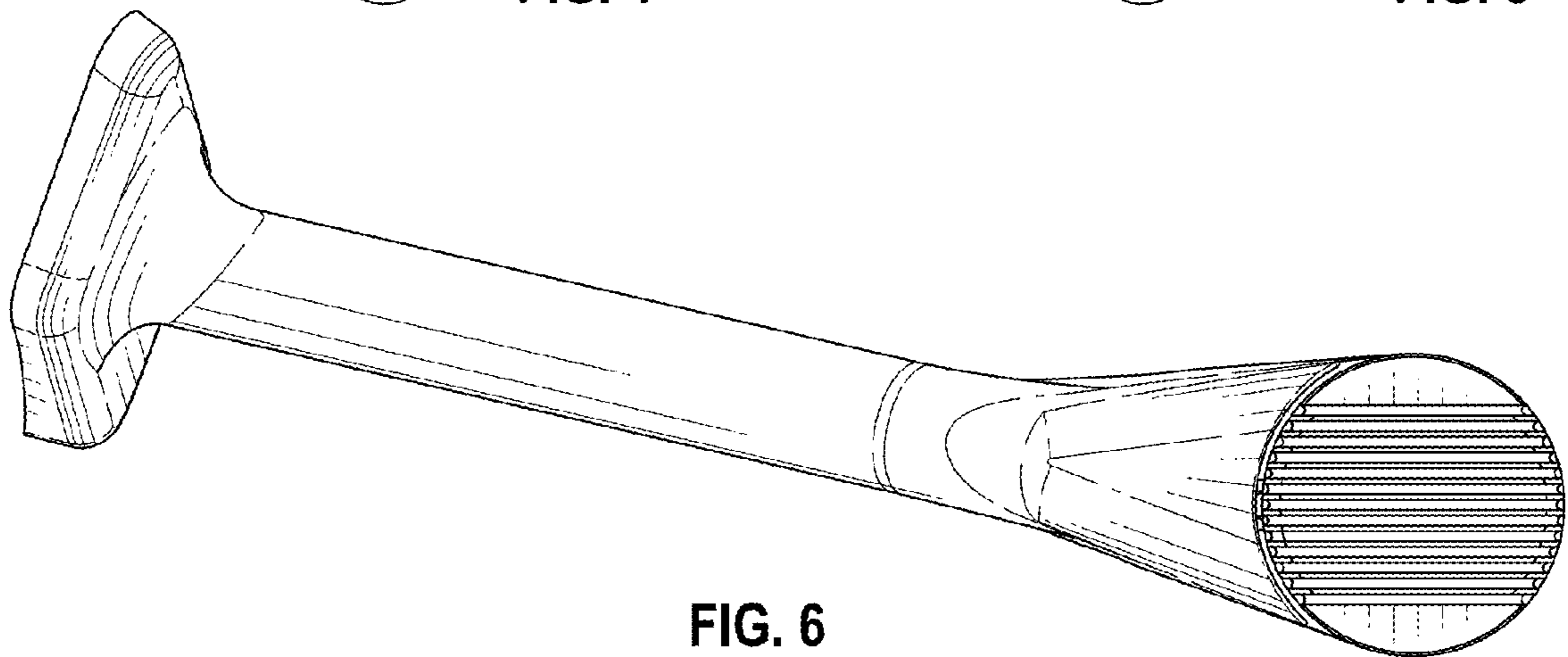


FIG. 6

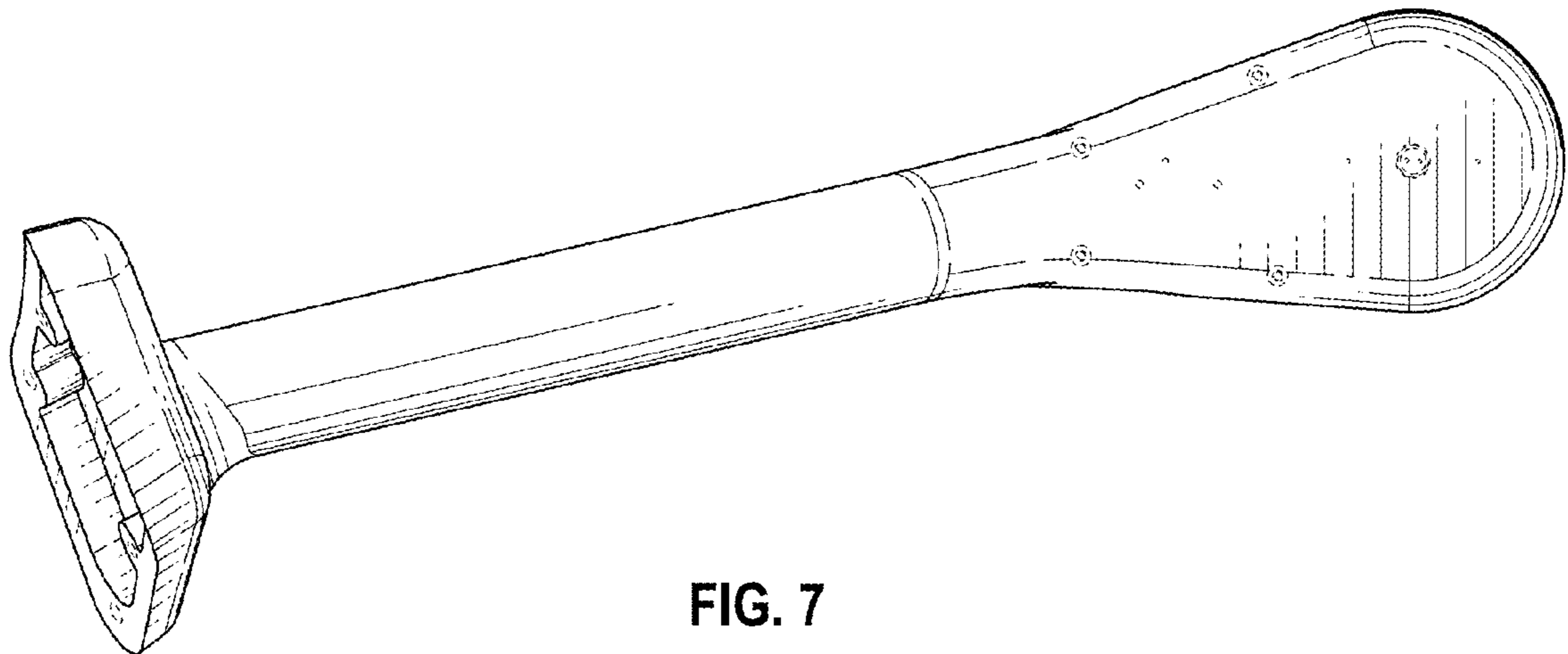


FIG. 7

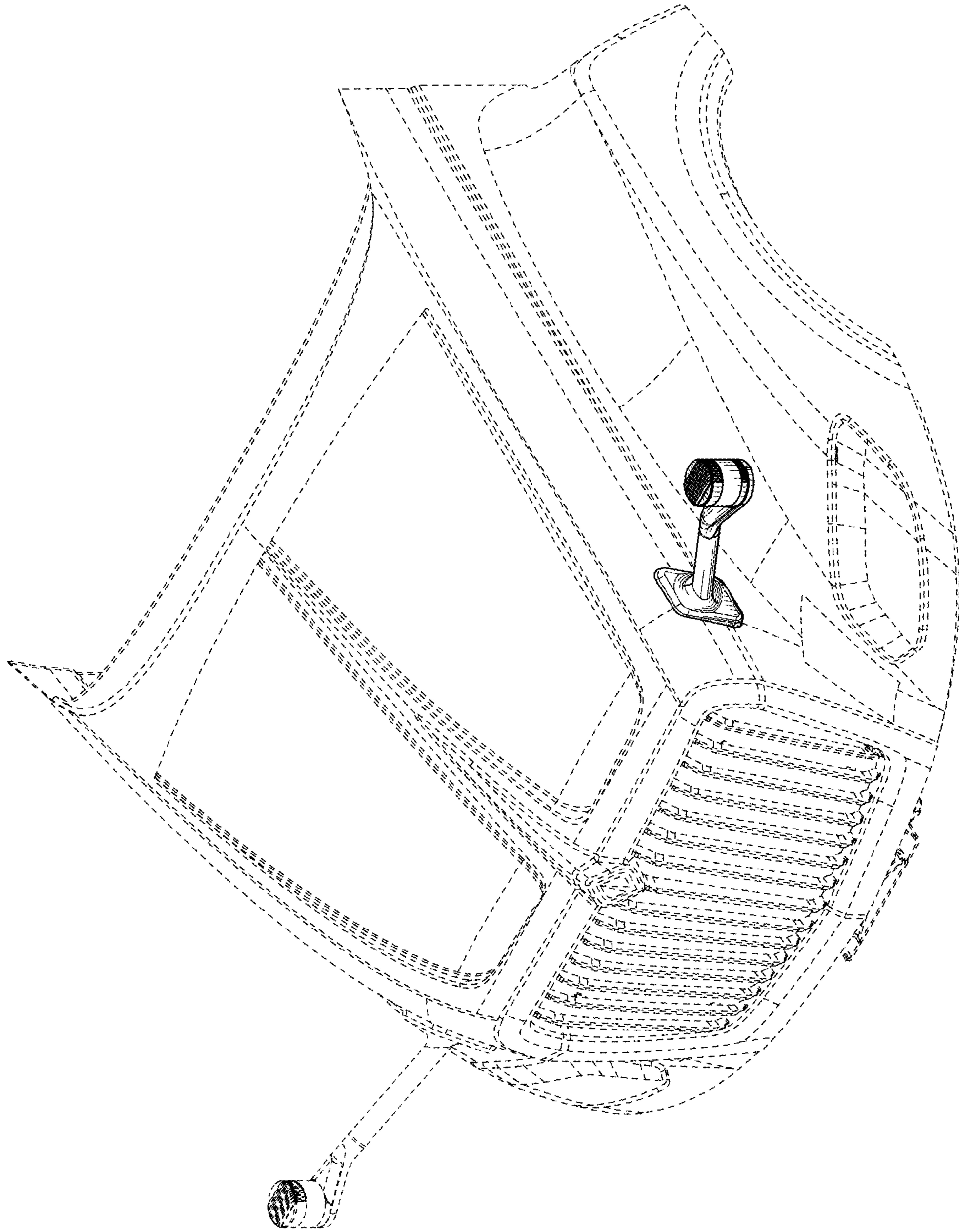


FIG. 8

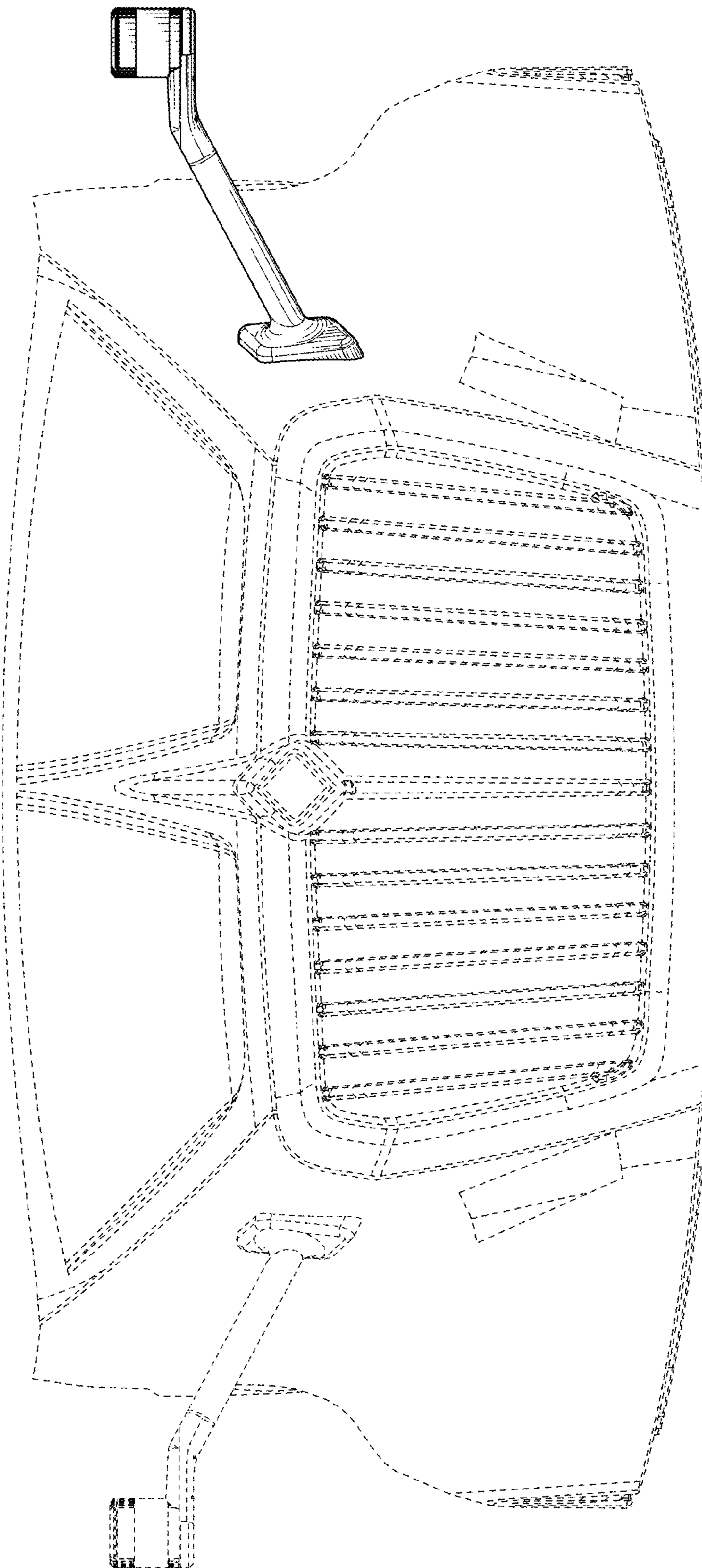


FIG. 9