

US00D961421S

(12) **United States Design Patent** (10) **Patent No.:** **US D961,421 S**
Spreemann et al. (45) **Date of Patent:** **** Aug. 23, 2022**

(54) **OPTOELECTRONIC SENSOR**

(71) Applicant: **SICK AG**, Waldkirch (DE)

(72) Inventors: **Dirk Spreemann**, Waldkirch (DE);
Davorin Jaksic, Waldkirch (DE)

(73) Assignee: **SICK AG**, Waldkirch (DE)

(**) Term: **15 Years**

(21) Appl. No.: **29/750,810**

(22) Filed: **Sep. 16, 2020**

(30) **Foreign Application Priority Data**

Mar. 19, 2020 (EM) 007762653-0001
Mar. 19, 2020 (EM) 007762653-0003
Mar. 19, 2020 (EM) 007762653-0006

(51) **LOC (13) Cl.** **10-04**

(52) **U.S. Cl.**
USPC **D10/70; D10/75**

(58) **Field of Classification Search**
USPC **D10/46, 70, 75, 78, 81, 85, 96**
(Continued)

(56) **References Cited**

U.S. PATENT DOCUMENTS

6,518,565 B1 * 2/2003 Wu G01D 11/245
250/221
6,794,639 B2 * 9/2004 Lautenschlager G01D 11/245
250/221

(Continued)

FOREIGN PATENT DOCUMENTS

DE 102017212259 A1 * 1/2019
DE 102018124845 A1 * 4/2020

(Continued)

Primary Examiner — Antoine Duval Davis

(74) *Attorney, Agent, or Firm* — Nath, Goldberg &
Meyer; Jerald L. Meyer; Morgan D. Rosenberg

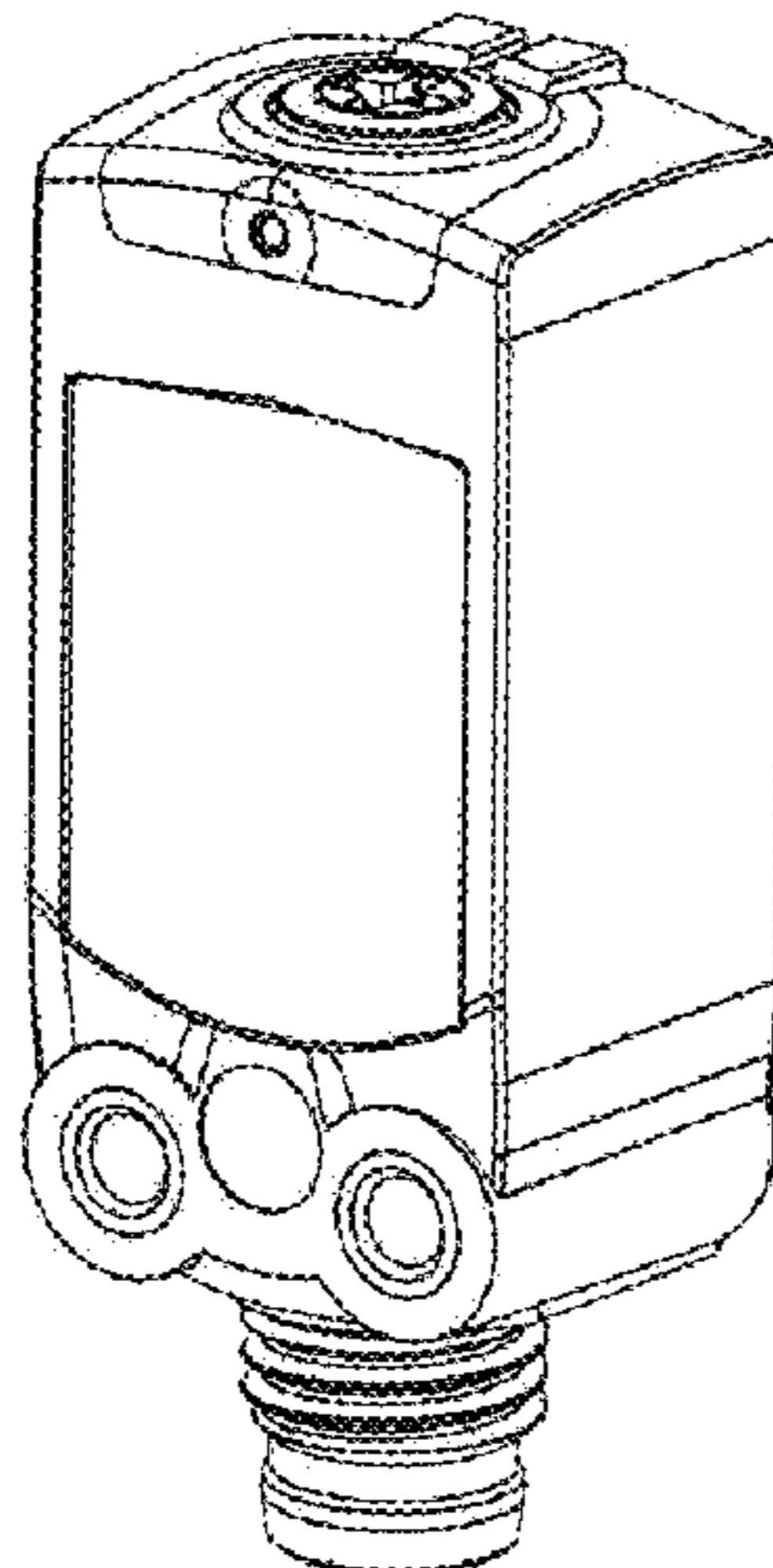
(57) **CLAIM**

The ornamental design for an optoelectronic sensor, as shown and described.

DESCRIPTION

FIG. 1 is a perspective view of an optoelectronic sensor showing our new design;
FIG. 2 is a front view thereof;
FIG. 3 is a rear view thereof;
FIG. 4 is a right side view thereof;
FIG. 5 is a left side view thereof;
FIG. 6 is a top view thereof;
FIG. 7 is a bottom view thereof;
FIG. 8 is a perspective view of an alternative embodiment of the optoelectronic sensor;
FIG. 9 is a front view of the optoelectronic sensor of FIG. 8;
FIG. 10 is a rear view of the optoelectronic sensor of FIG. 8;
FIG. 11 is a right side view of the optoelectronic sensor of FIG. 8;
FIG. 12 is a left side view of the optoelectronic sensor of FIG. 8;
FIG. 13 is a top view of the optoelectronic sensor of FIG. 8;
FIG. 14 is a bottom view of the optoelectronic sensor of FIG. 8;
FIG. 15 is a perspective view of another alternative embodiment of the optoelectronic sensor;
FIG. 16 is a front view of the optoelectronic sensor of FIG. 15;
FIG. 17 is a rear view of the optoelectronic sensor of FIG. 15;
FIG. 18 is a right side view of the optoelectronic sensor of FIG. 15;
FIG. 19 is a left side view of the optoelectronic sensor of FIG. 15;
FIG. 20 is a top view of the optoelectronic sensor of FIG. 15; and,
FIG. 21 is a bottom view of the optoelectronic sensor of FIG. 15.

1 Claim, 21 Drawing Sheets



US D961,421 S

Page 2

(58) **Field of Classification Search**

CPC G01V 8/00-26; G01V 13/00; G01V 99/00;
G01V 2200/00; G01V 2210/00; G01S
17/04; G01S 7/481-4818; G01D
11/24-245

See application file for complete search history.

(56) **References Cited**

U.S. PATENT DOCUMENTS

6,911,648 B2 * 6/2005 Wu G01D 11/245
250/221
7,009,285 B2 * 3/2006 Su H01L 33/60
257/E33.059
7,102,078 B2 * 9/2006 Weber G01D 11/245
174/64
D531,525 S * 11/2006 Dold D10/46
D612,751 S * 3/2010 Bach G01D 11/245
D10/46
D617,214 S * 6/2010 Siegler G01D 11/245
D10/46

D654,383 S * 2/2012 Pfrengle G01D 11/245
D10/46
D736,657 S * 8/2015 Detering G01D 11/245
D10/75
D737,695 S * 9/2015 Angenendt G01D 11/245
D10/75
10,030,999 B2 * 7/2018 Fabbri G01S 17/04
D912,553 S * 3/2021 Thurnherr D10/75
D912,633 S * 3/2021 Mizusaki D10/70
D916,607 S * 4/2021 Takahashi D10/70
D916,608 S * 4/2021 Takahashi D10/70
D926,058 S * 7/2021 Shah D10/75
2009/0095074 A1 * 4/2009 Vinshtok G01D 11/245
73/431

FOREIGN PATENT DOCUMENTS

EP 2664900 A1 * 11/2013 G01D 11/245
EP 2767807 A2 * 8/2014 G01D 11/245
EP 3163258 B1 * 10/2018 G01D 11/24
WO WO-2012110837 A1 * 8/2012 G01S 17/026

* cited by examiner

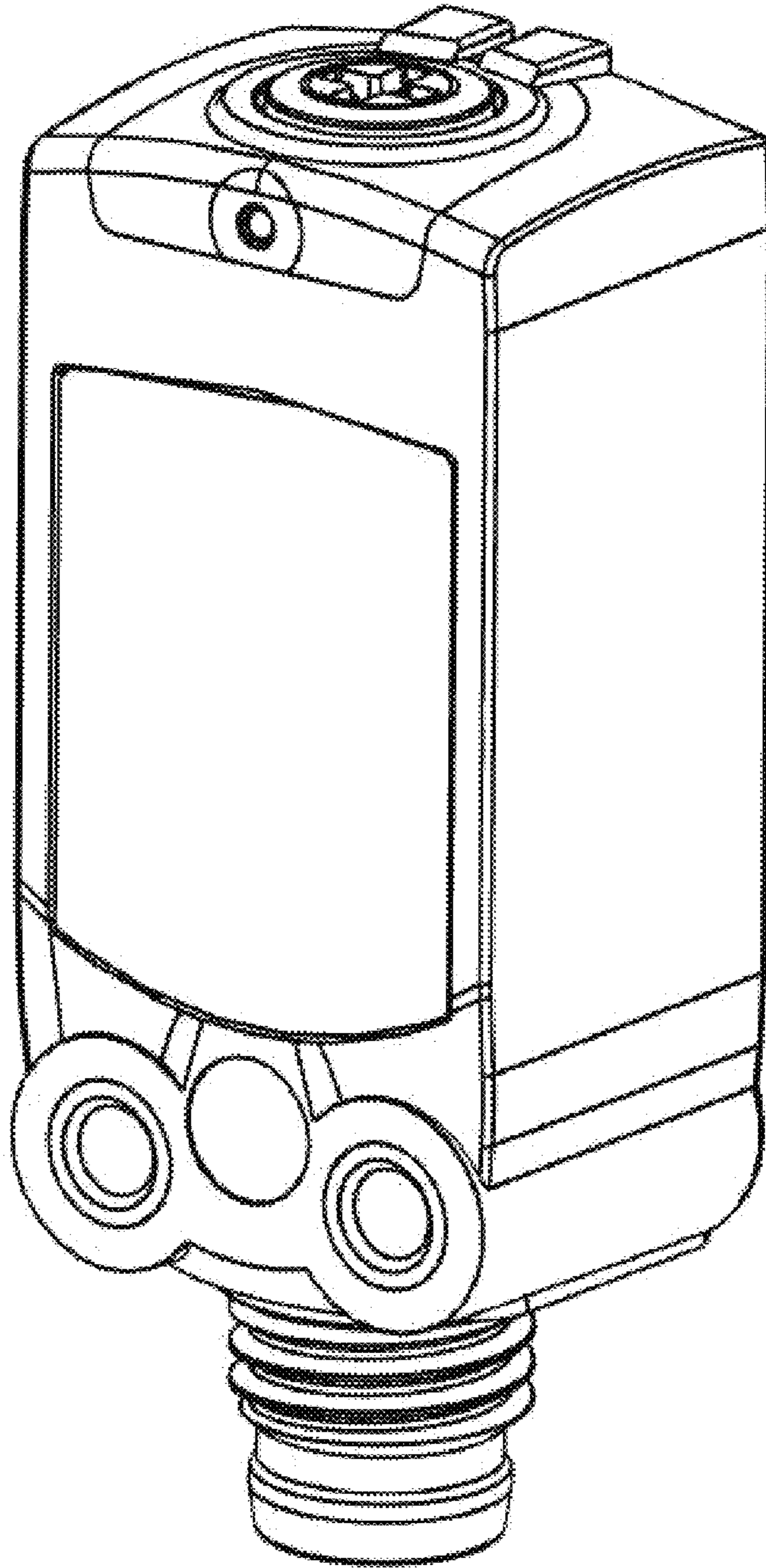


Fig. 1

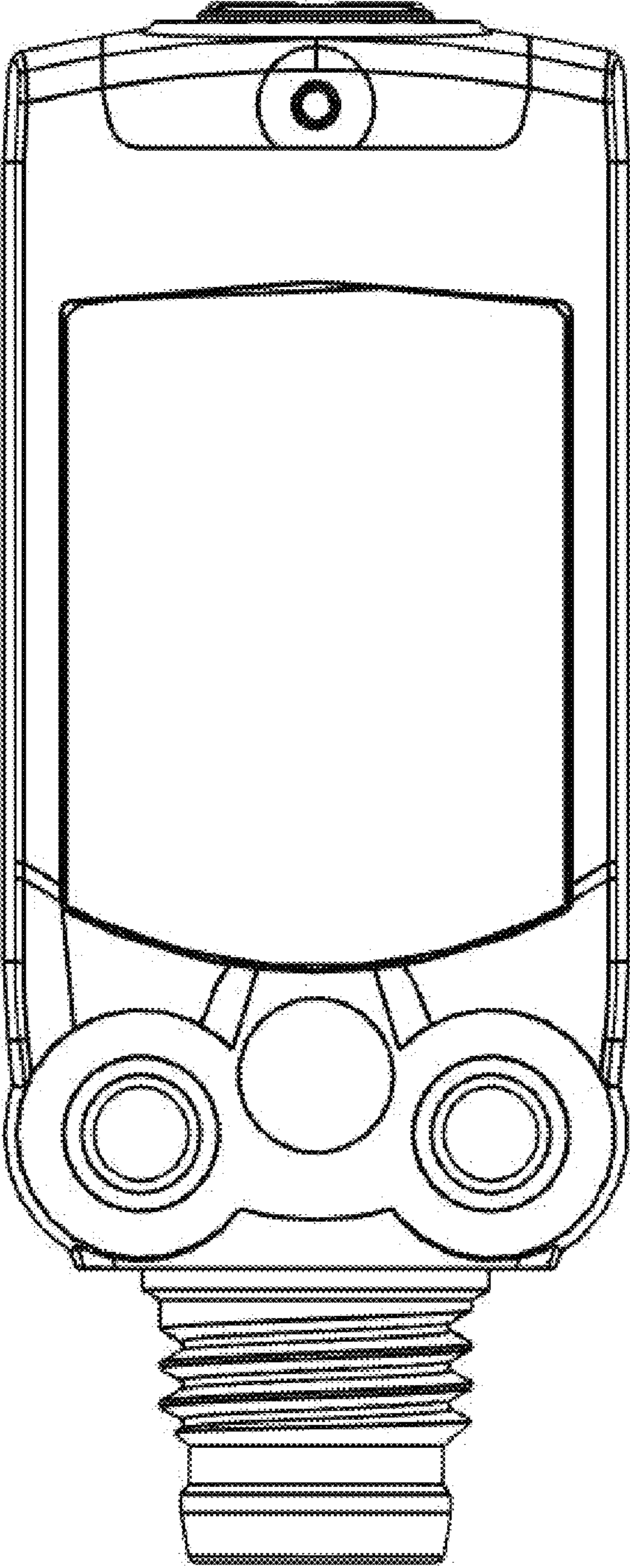


Fig. 2

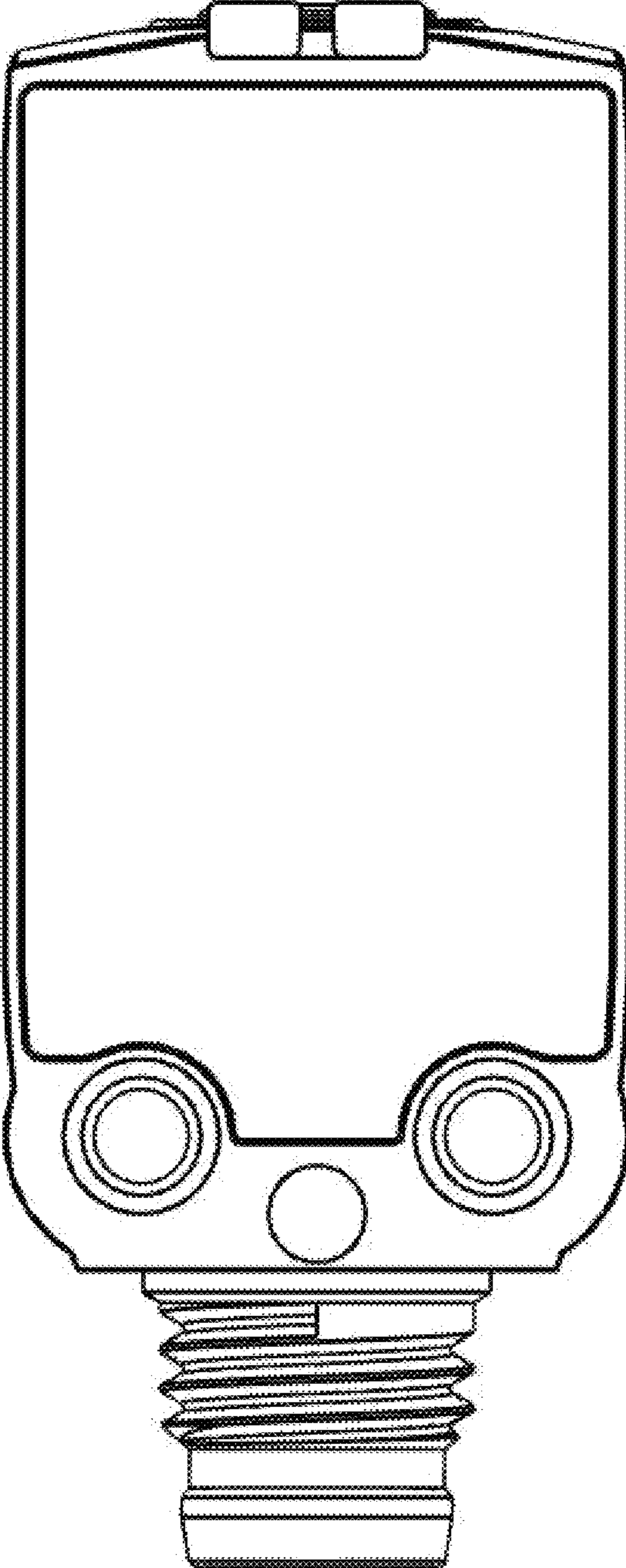


Fig. 3

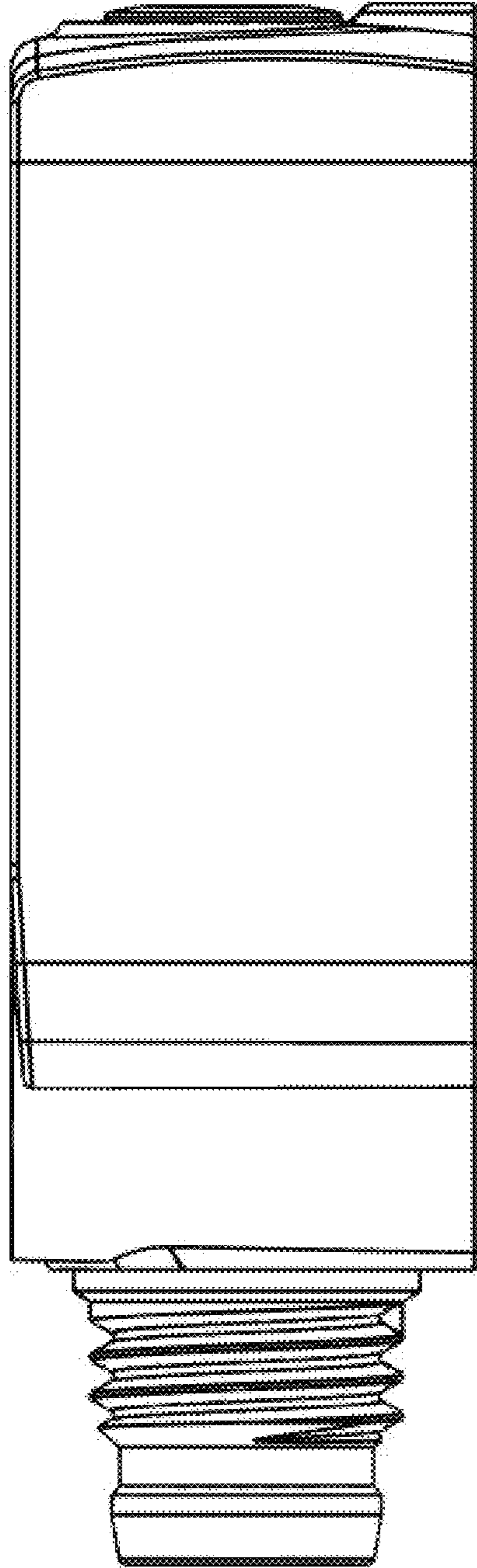


Fig. 4

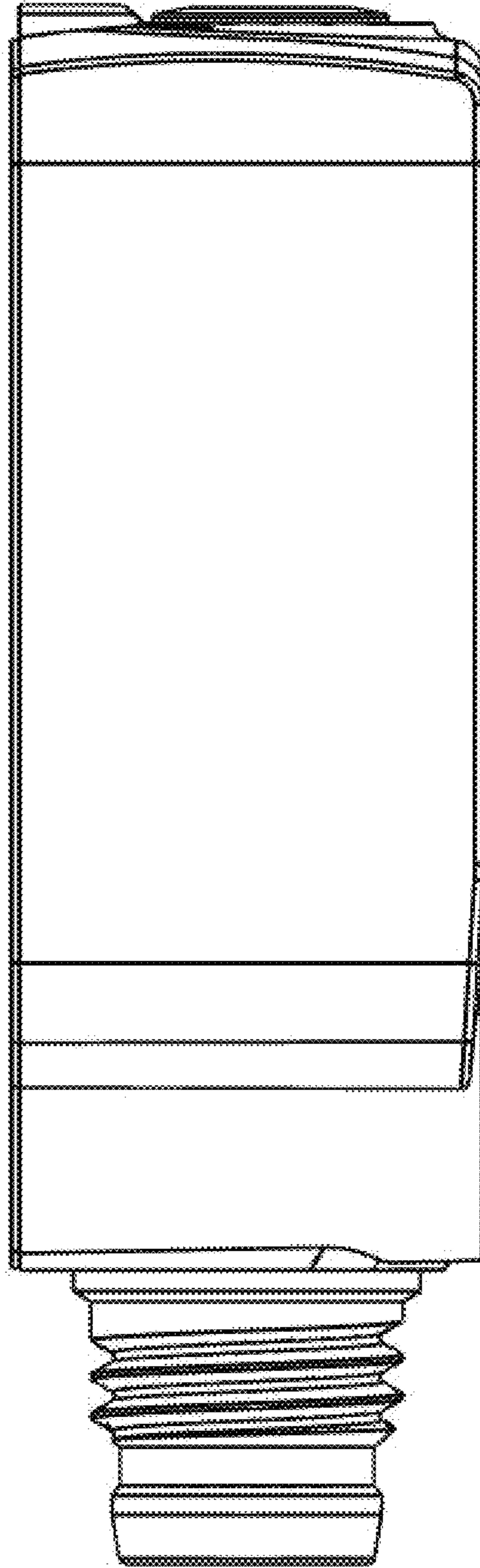


Fig. 5

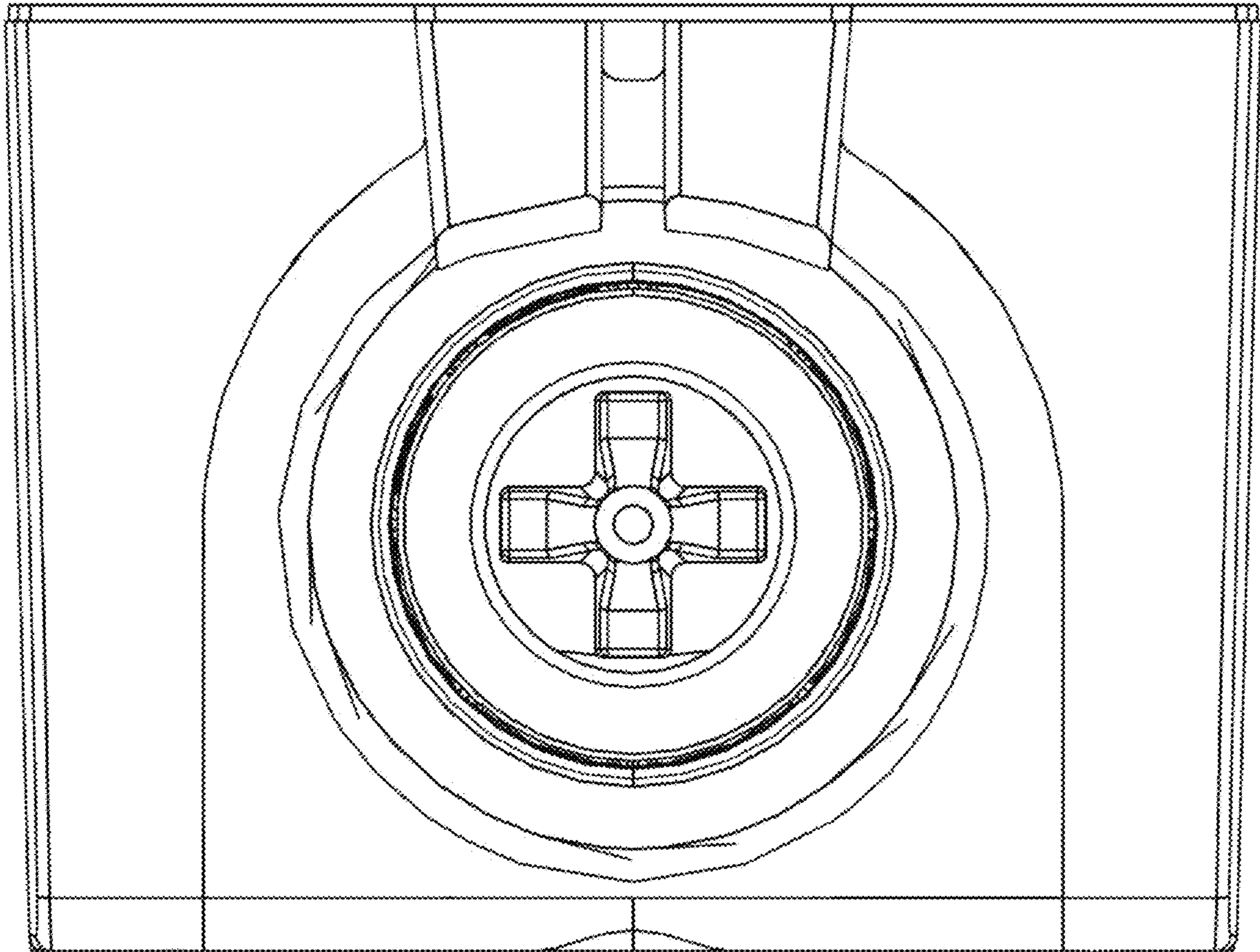


Fig. 6

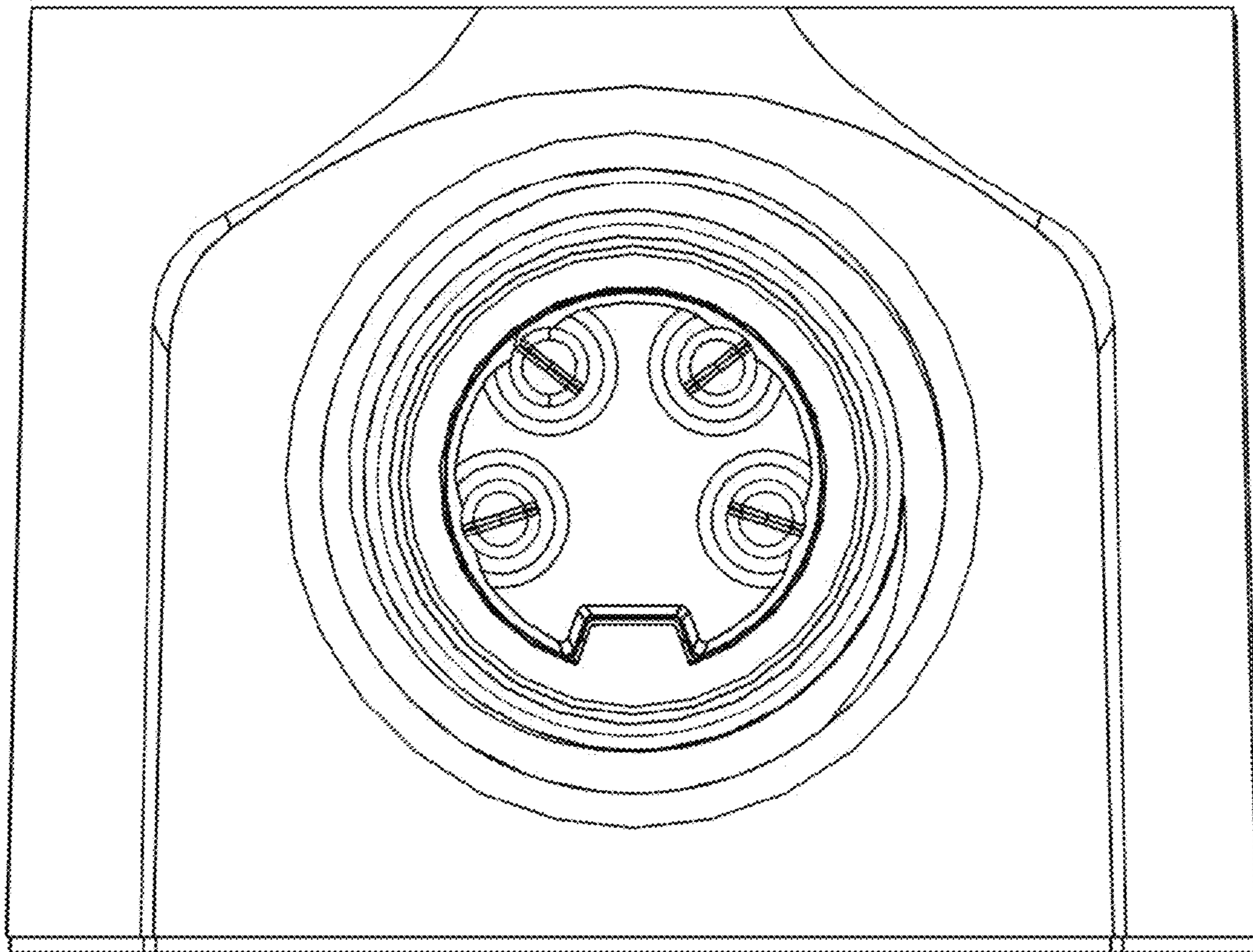


Fig. 7

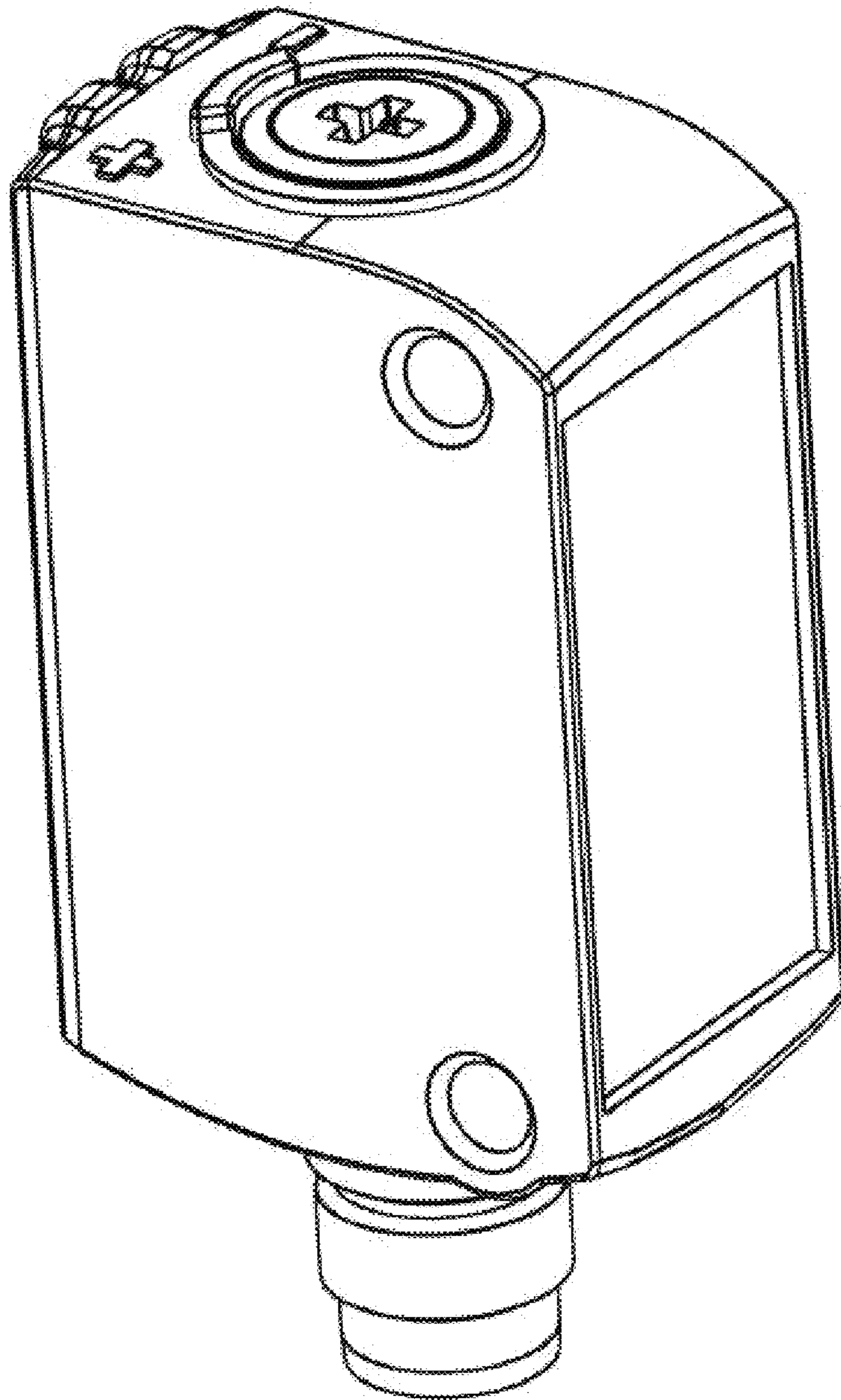


Fig. 8

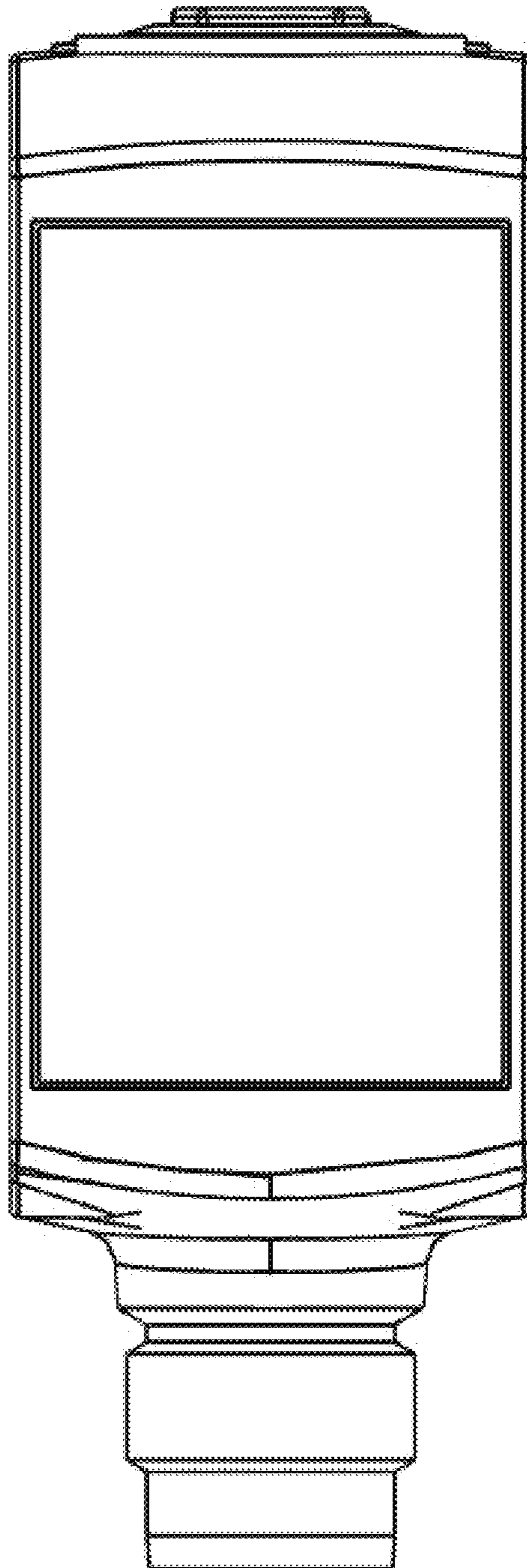


Fig. 9

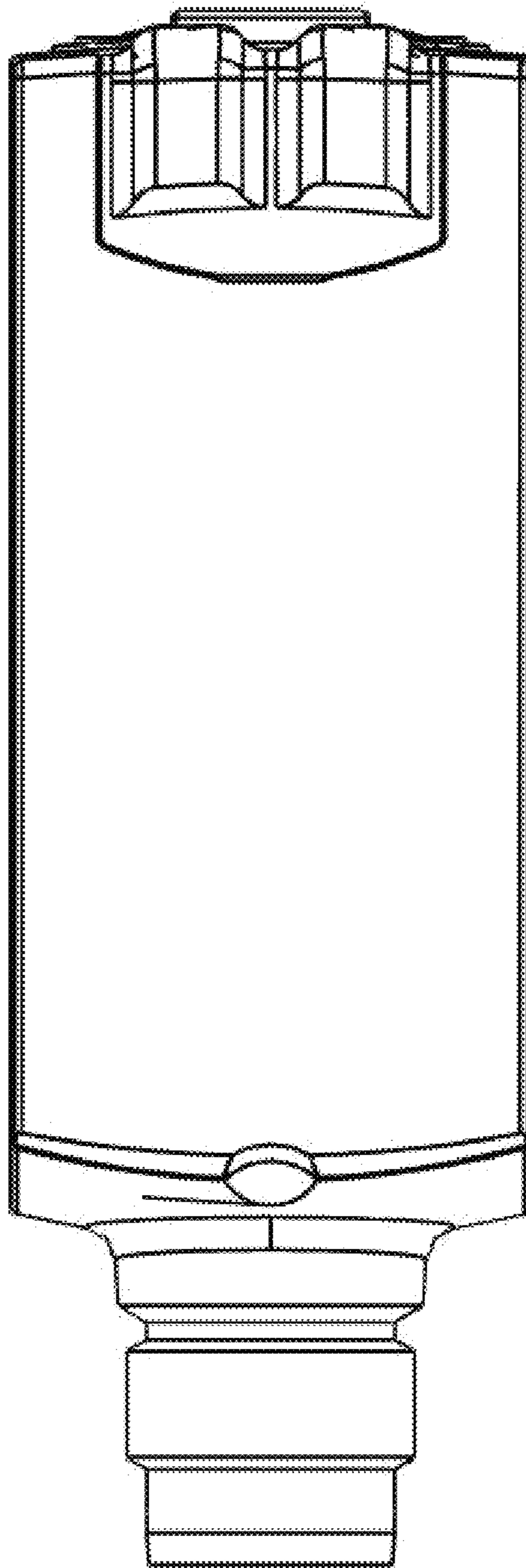


Fig. 10

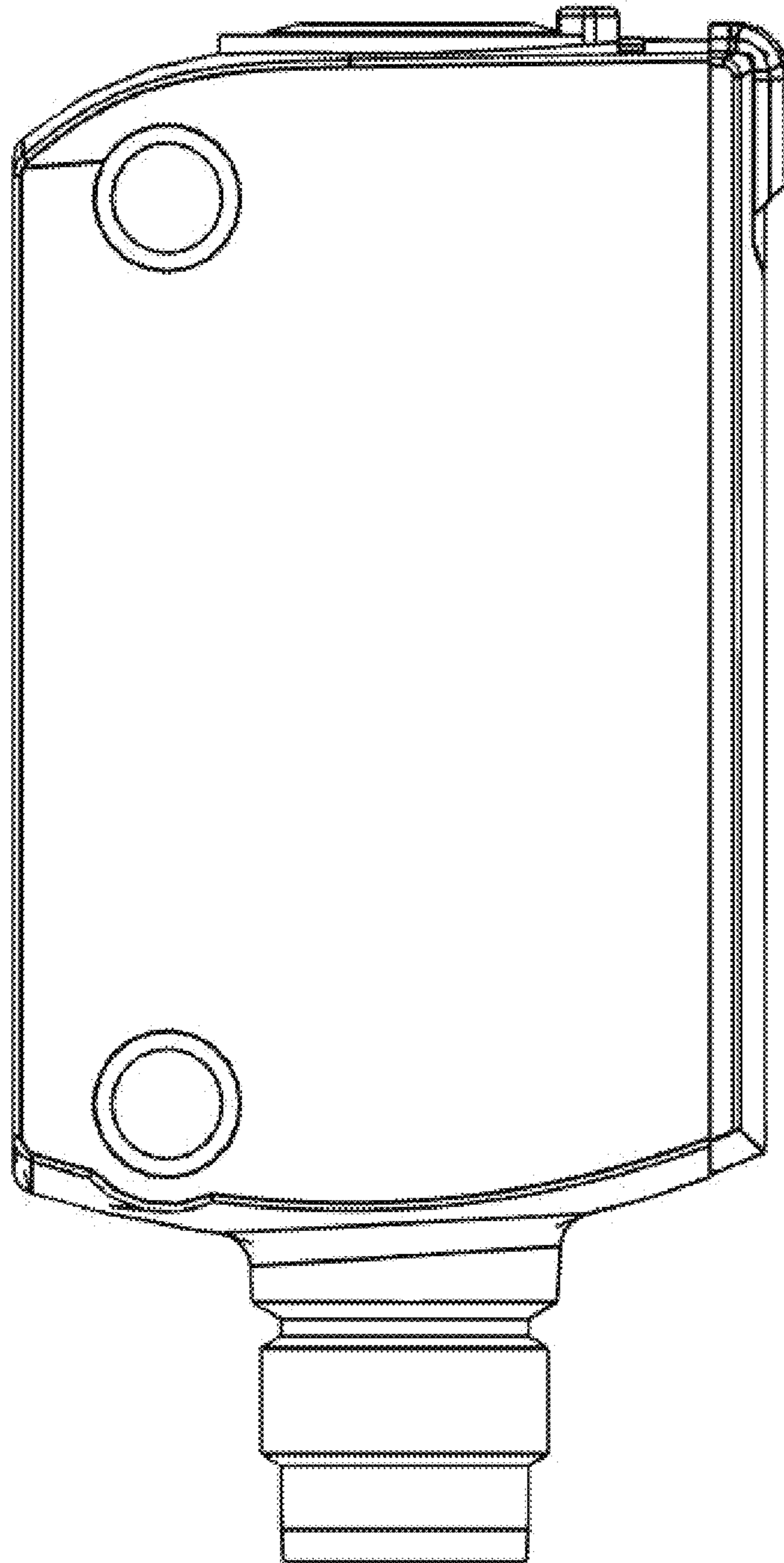


Fig. 11

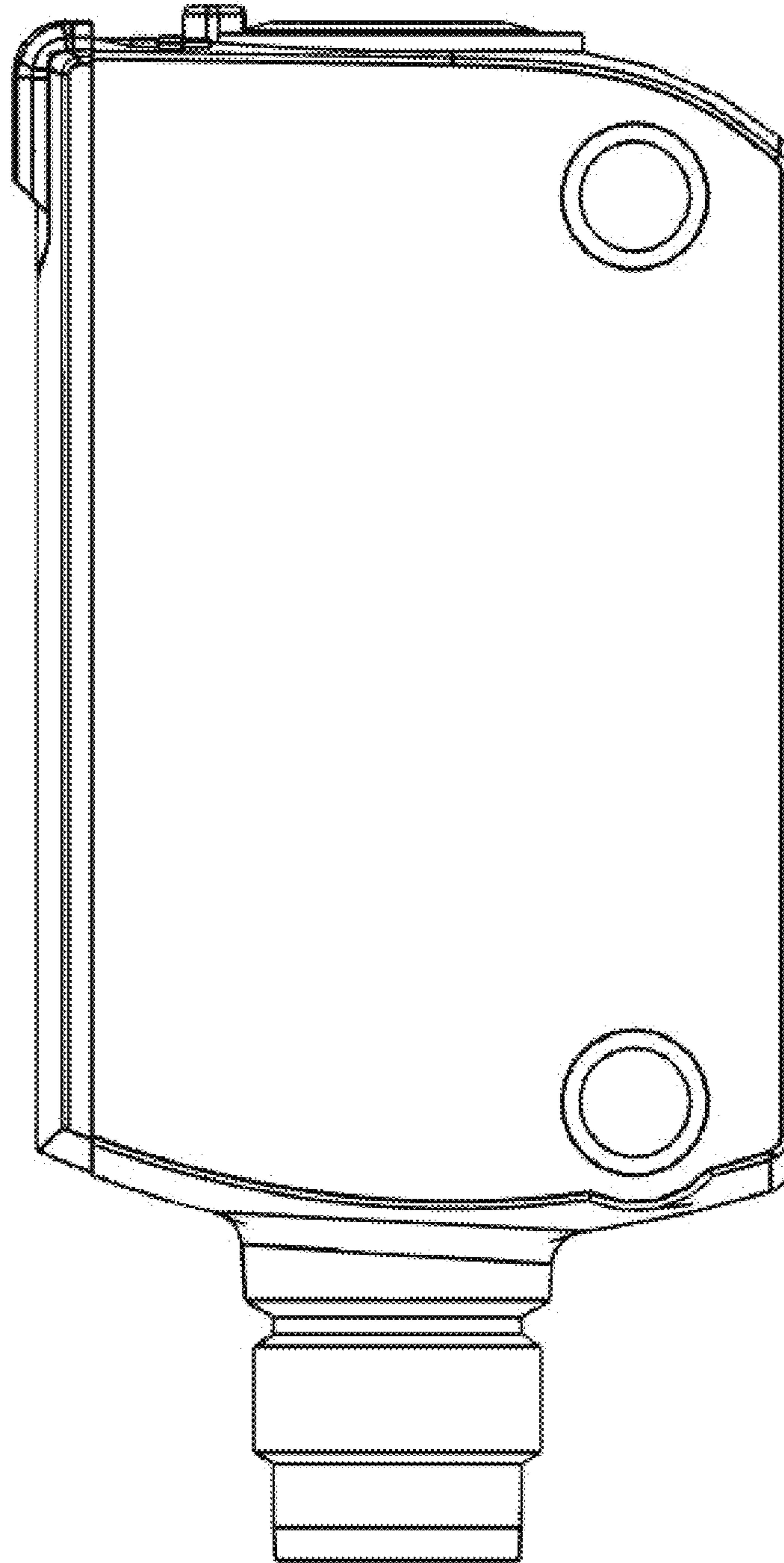


Fig. 12

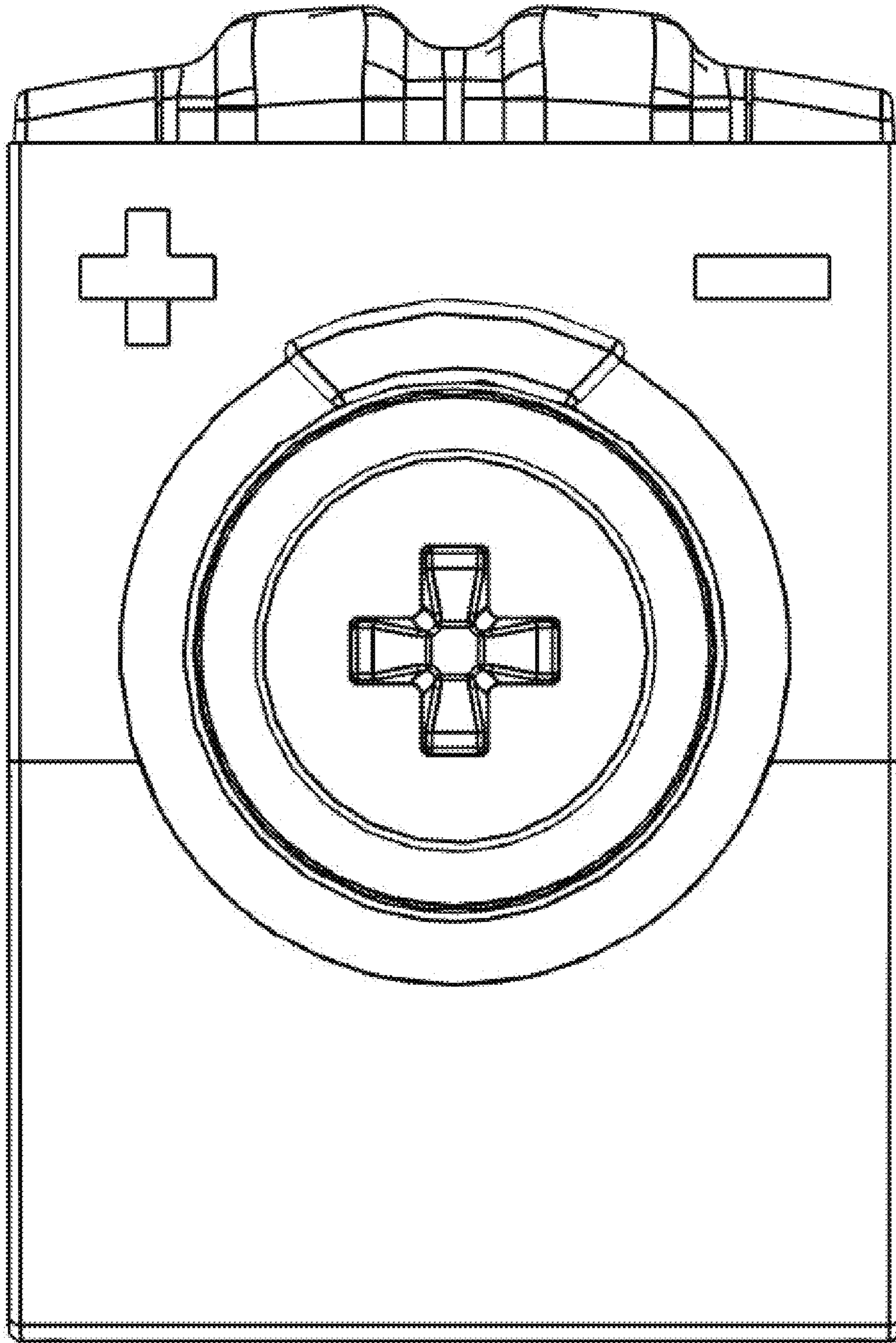


Fig. 13

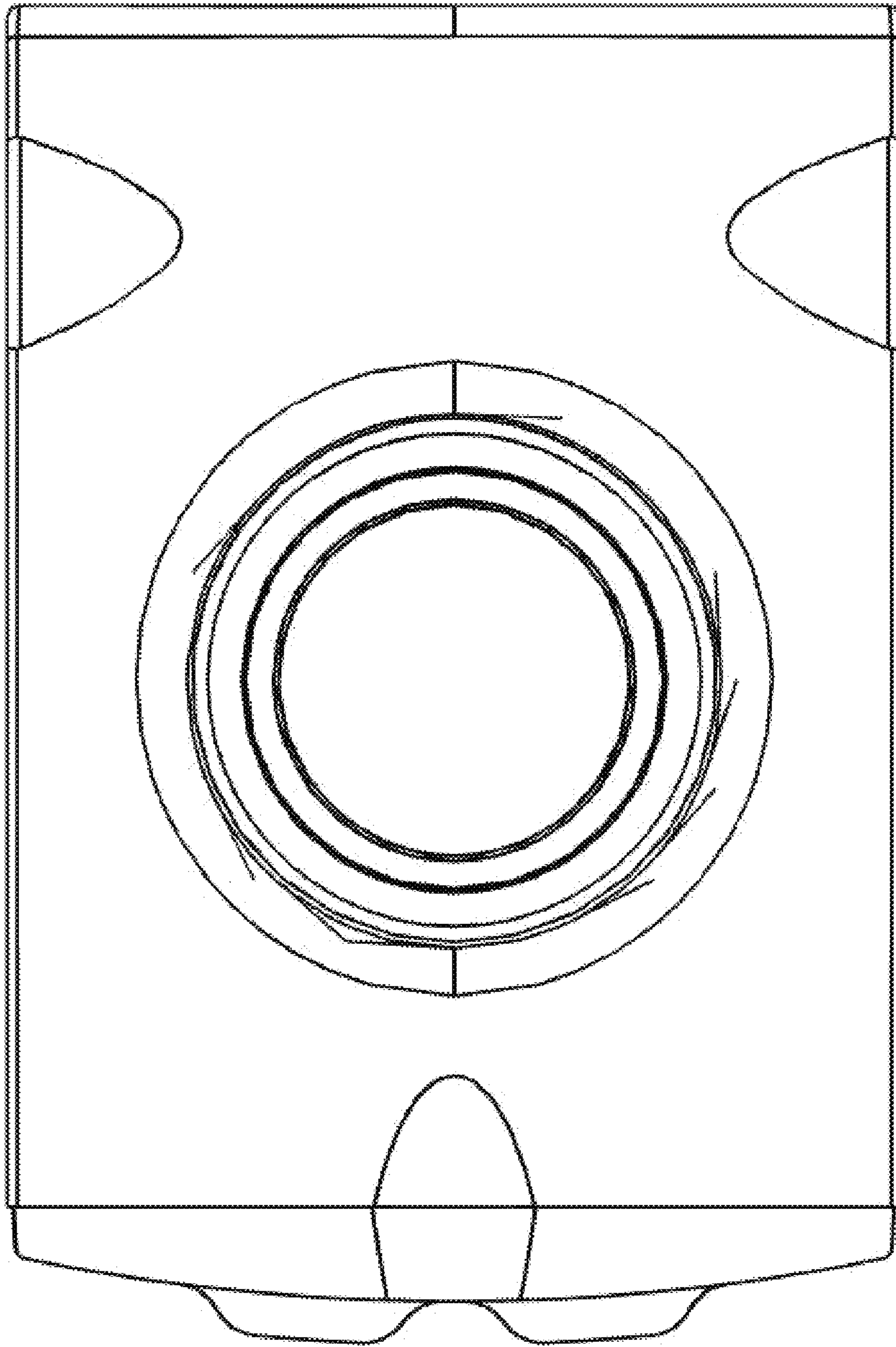


Fig. 14

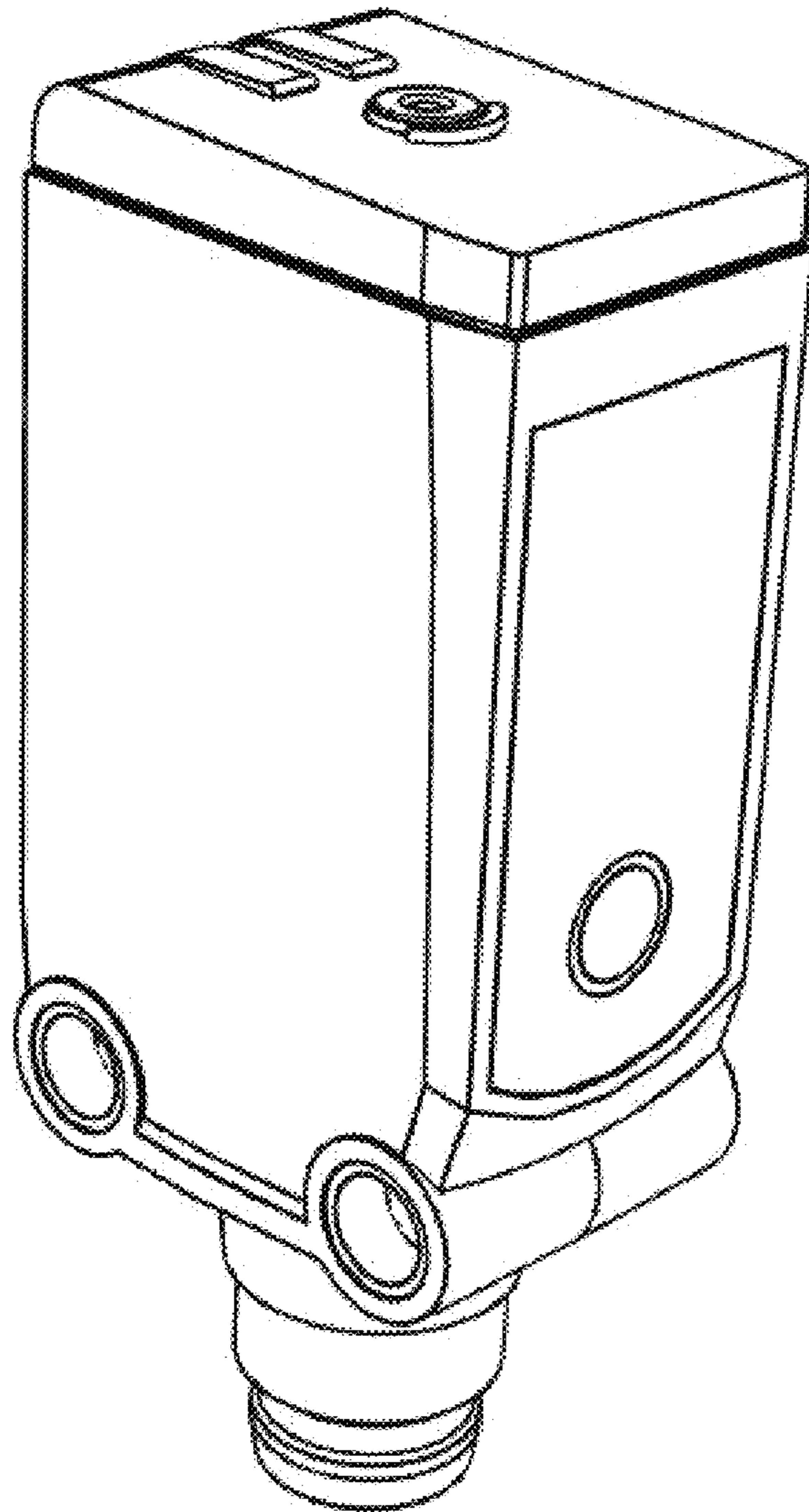


Fig. 15

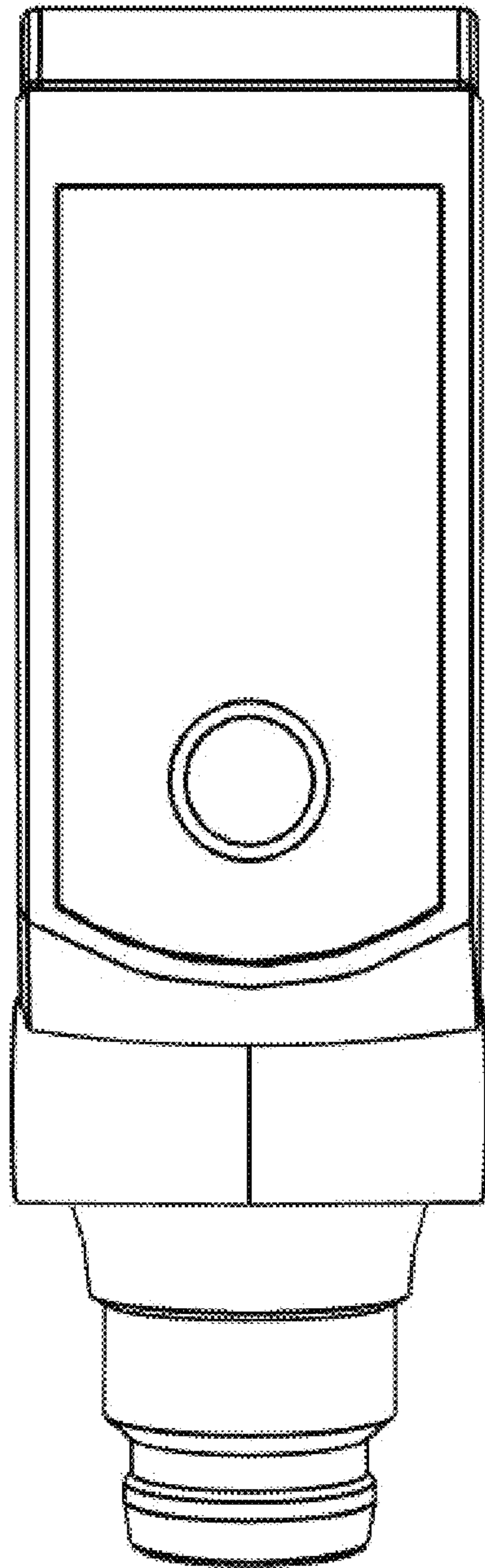


Fig. 16

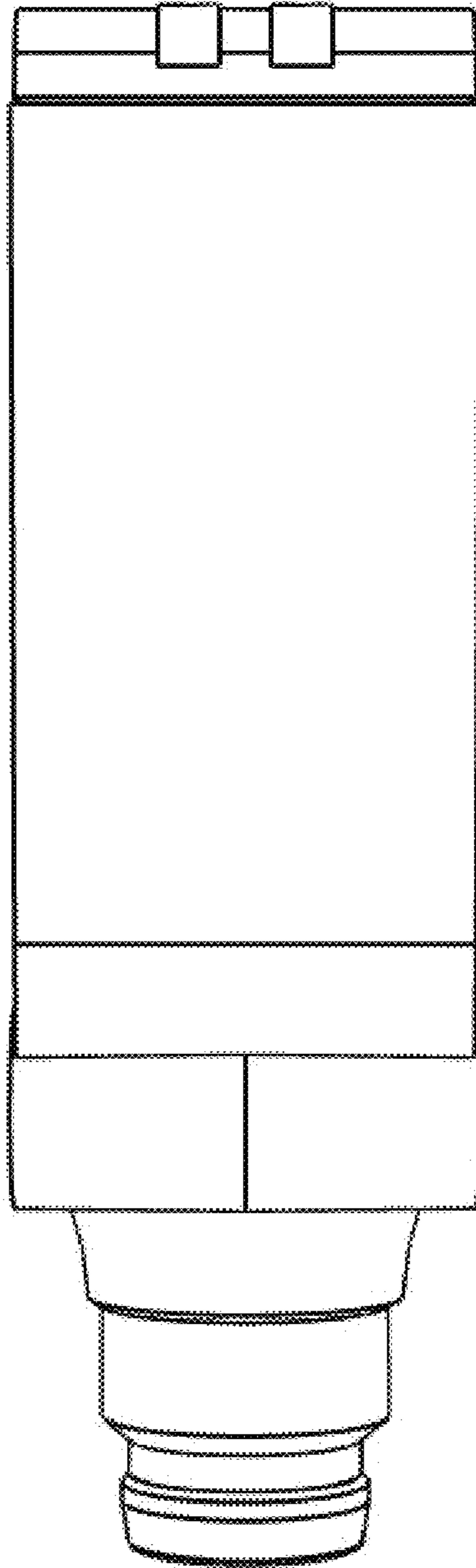


Fig. 17

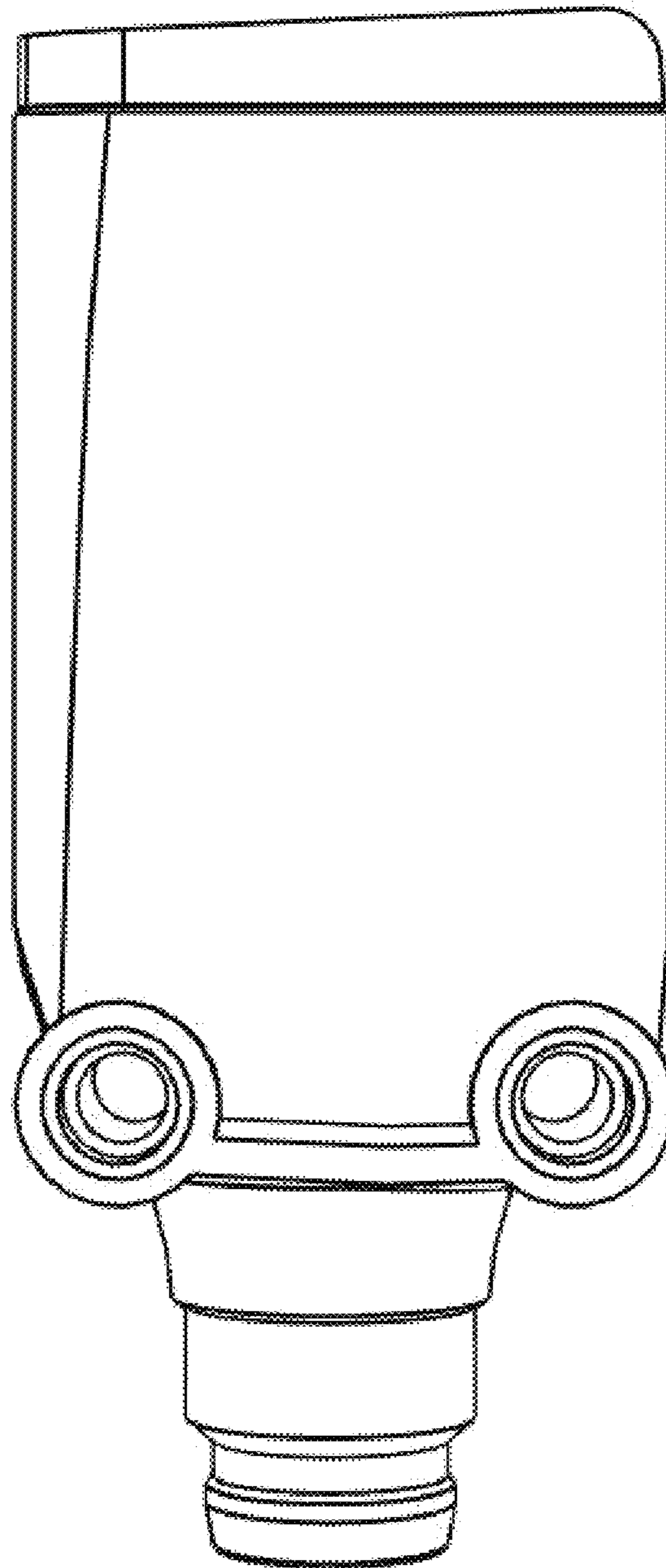


Fig. 18

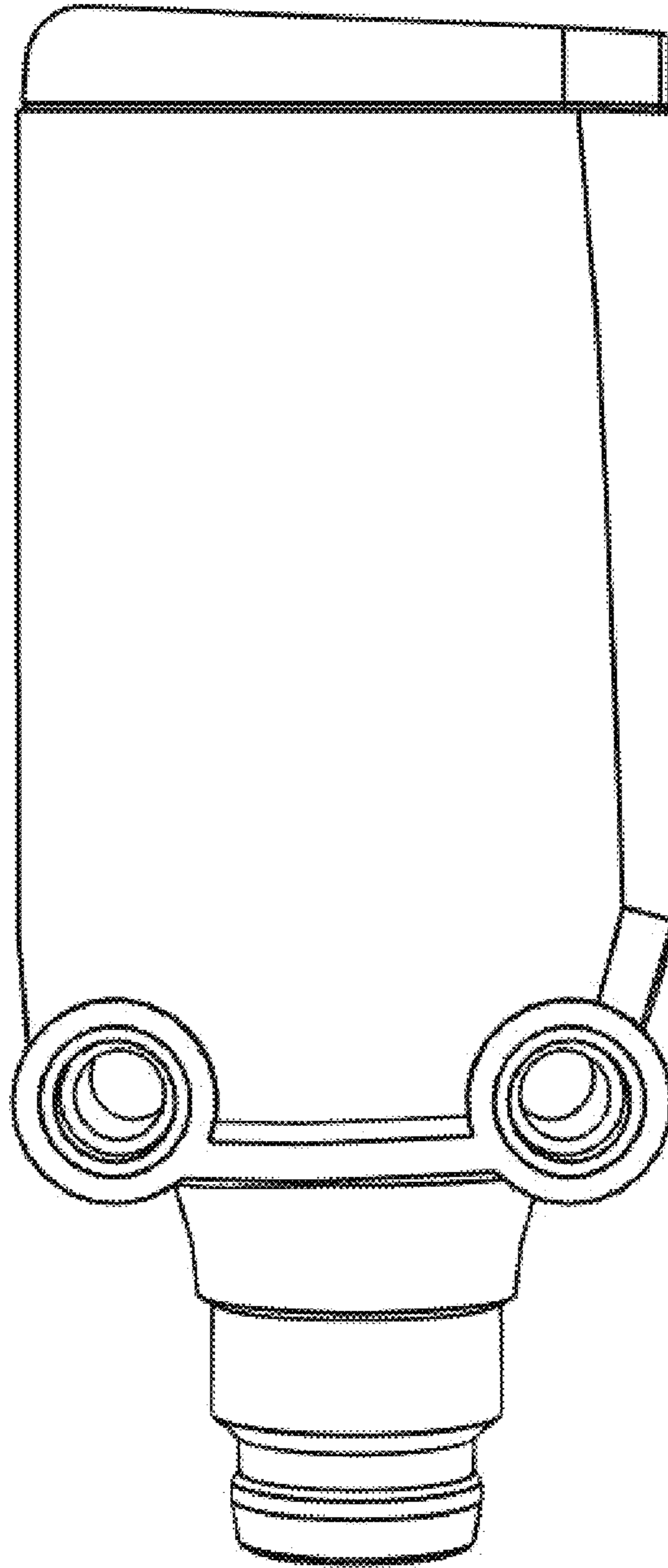


Fig. 19

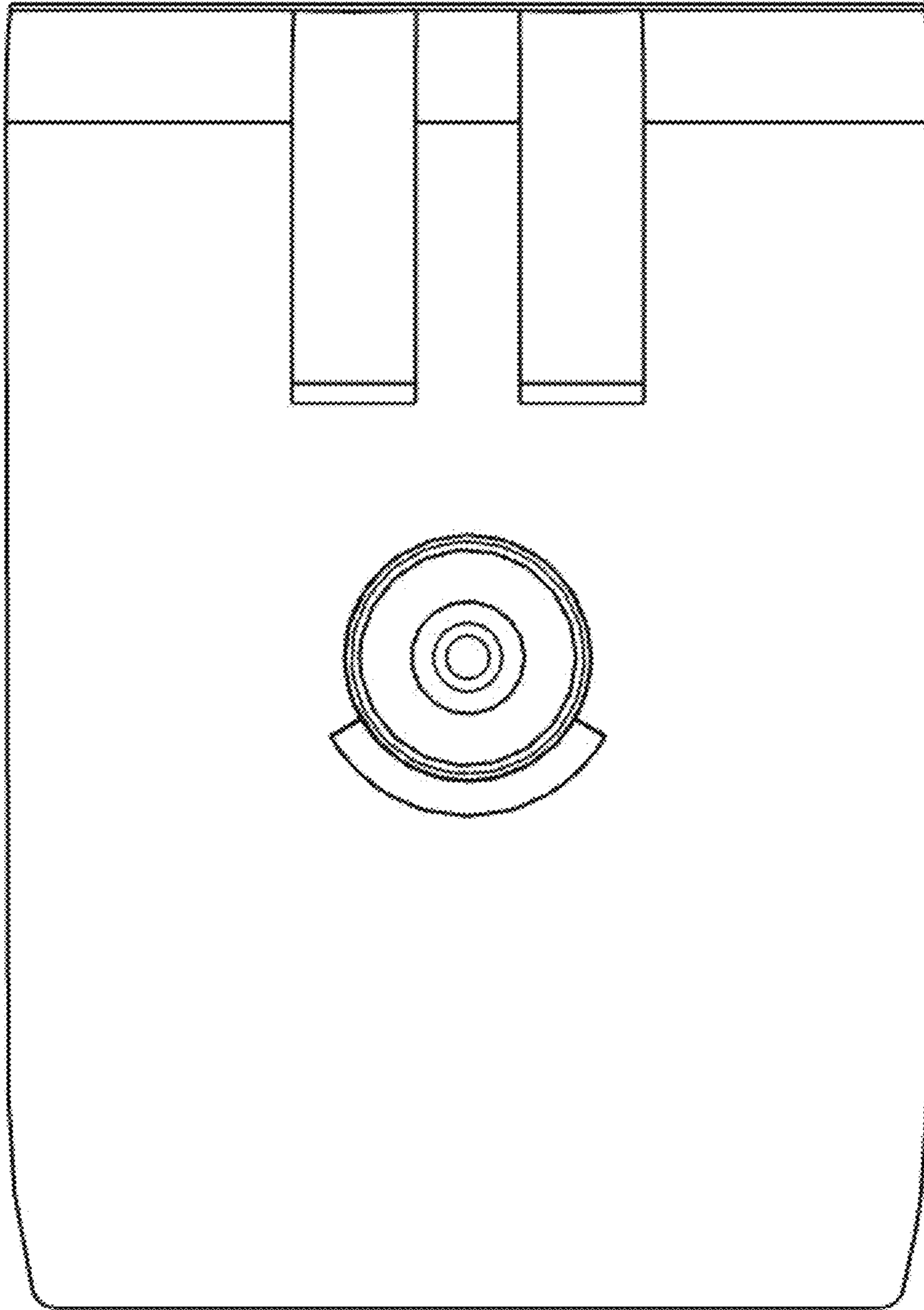


Fig. 20

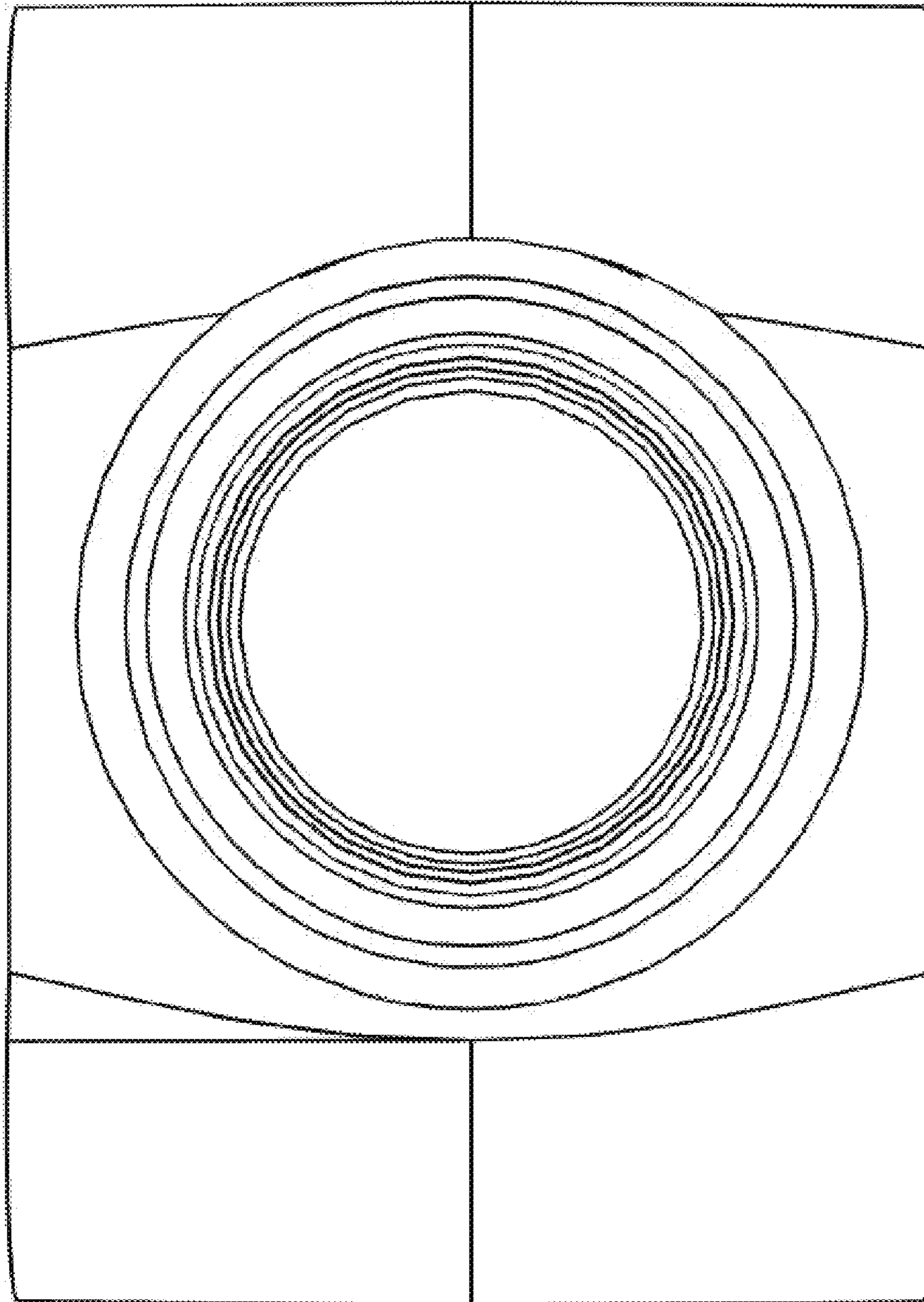


Fig. 21