



US00D961418S

(12) **United States Design Patent** (10) **Patent No.:** **US D961,418 S**
Soleo et al. (45) **Date of Patent:** **** Aug. 23, 2022**

(54) **NAVIGATION DEVICE**

(71) Applicant: **Garmin International, Inc.**, Olathe, KS (US)

(72) Inventors: **Michael J. Soleo**, Kansas City, MO (US); **Derrick D. Lenz**, Olathe, KS (US); **Andrew J. Noble**, Mission, KS (US); **Kevin J. Loeppeke**, Olathe, KS (US)

(73) Assignee: **Garmin International, Inc.**, Olathe, KS (US)

(**) Term: **15 Years**

(21) Appl. No.: **29/810,192**

(22) Filed: **Oct. 1, 2021**

(51) **LOC (13) Cl.** **10-04**

(52) **U.S. Cl.**
USPC **D10/65**

(58) **Field of Classification Search**
USPC D10/96-103, 65-80, 61
CPC G01C 21/3647; G01C 21/36;
G01C 21/3691; G01C 21/367; G01C
21/3697; G01C 21/343; G01C 21/3617;
G01C 21/26; G01C 21/20; G01C 21/165;
G01C 17/38; G01C 25/00; G09B 29/004;
G09B 29/10; G08G 1/162; G08G 1/164;
G08G 1/09626

See application file for complete search history.

(56) **References Cited**

U.S. PATENT DOCUMENTS

D571,234 S * 6/2008 Reeson D10/65
D627,667 S * 11/2010 Lenz D10/65
D677,181 S * 3/2013 Lenz D10/70
D719,858 S * 12/2014 Stevens D10/70
D750,510 S * 3/2016 Lenz D10/70

D789,811 S * 6/2017 Lenz D10/65
D808,829 S * 1/2018 Dempsey D10/65
D926,097 S * 7/2021 Trabucco D10/65

(Continued)

FOREIGN PATENT DOCUMENTS

CN 302220836 * 7/2012
CN 302672267 * 12/2013

(Continued)

OTHER PUBLICATIONS

Garmin Store,Tread Powersport Off-Road Navigator, Date first available Mar. 10, 2021,[online]retrieved Mar. 18, 2022,available from https://www.amazon.com/Garmin-Powersport-Navigator-Communication-010-02406-00/dp/B08WHHFB6V/ref=psdc_319582011_t3_B09R96BQ1J (Year: 2021).*

(Continued)

Primary Examiner — Keli L Hill

Assistant Examiner — Sara S Sahneh

(74) *Attorney, Agent, or Firm* — Samuel M. Korte; Max M. Ali

(57) **CLAIM**

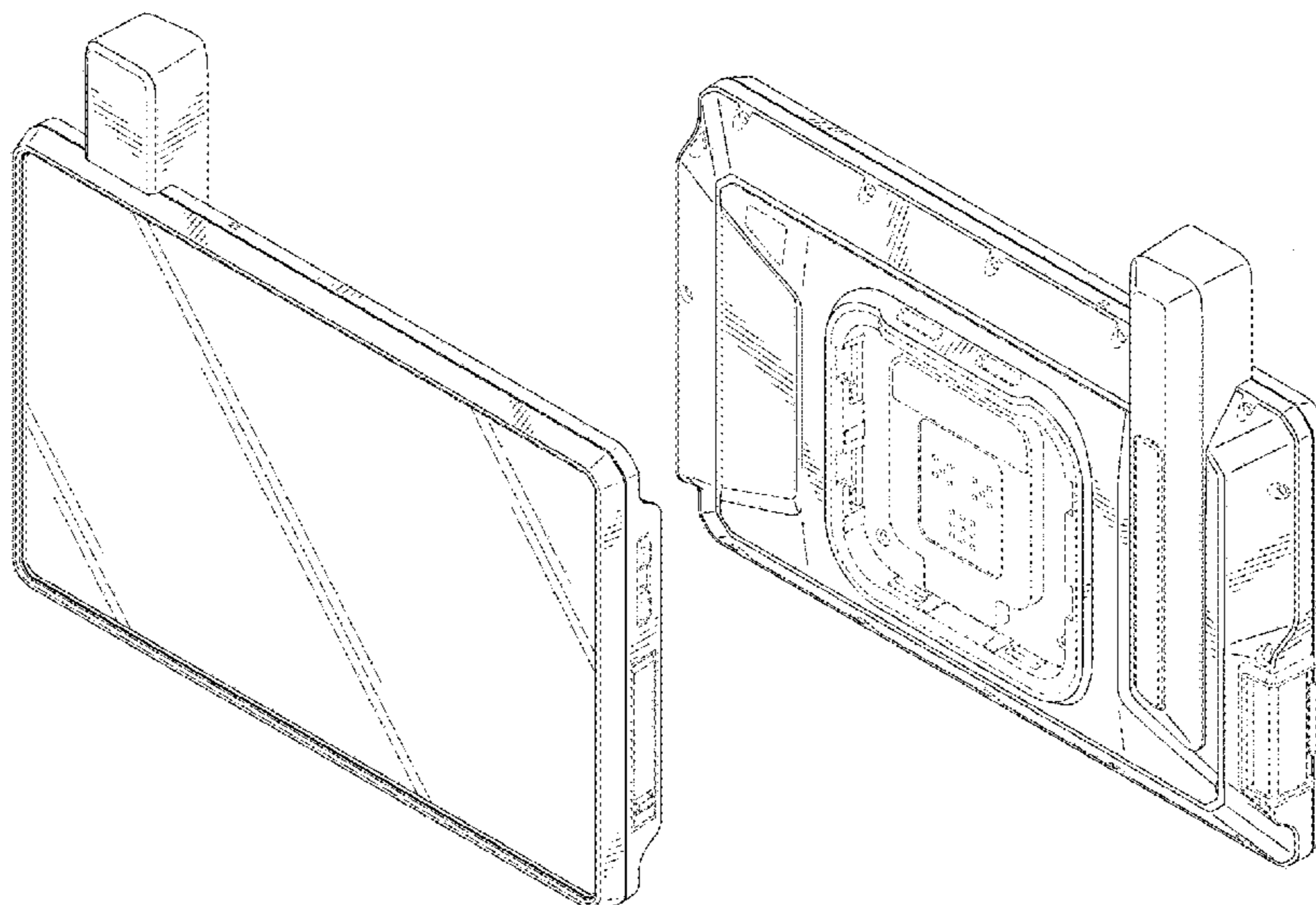
The ornamental design for a navigation device, as shown and described.

DESCRIPTION

FIG. 1 is a front perspective view of a navigation device according to the present invention; FIG. 2 is a rear perspective view of the navigation device; FIG. 3 is a front view of the navigation device; FIG. 4 is a rear view of the navigation device; FIG. 5 is a left side view of the navigation device; FIG. 6 is a right side view of the navigation device; FIG. 7 is a top view of the navigation device; and, FIG. 8 is a bottom view of the navigation device.

The broken lines shown in the drawings represent portions of the navigation device that form no part of the claimed design.

1 Claim, 5 Drawing Sheets



(56)

References Cited

U.S. PATENT DOCUMENTS

2011/0065473 A1* 3/2011 Kimishima G01P 3/50
73/1.37
2011/0166775 A1* 7/2011 Takeuchi G01C 21/343
701/533
2011/0175751 A1* 7/2011 Khachaturian G01C 21/3697
340/905
2012/0226437 A1* 9/2012 Li G01C 21/3647
701/423
2016/0054137 A1* 2/2016 Wheatman G01C 21/36
701/425

FOREIGN PATENT DOCUMENTS

CN 303102088 * 4/2014
CN 305400719 * 4/2019
EM 001157341-0001 * 8/2009
EM 003114503-0001 * 5/2016

OTHER PUBLICATIONS

PlayBetter Store, Garmin Catalyst Driving Performance Optimizer, Date first available Sep. 15, 2021, [online]retrieved Mar. 18, 2022,available from https://www.amazon.com/Performance-RideBetter-Protective-PlayBetter-010-02345-00/dp/B09G9XWRQY/ref=sr_1_

1_sspa?crd=3QZTD0OD9P81Z&keywords=Garmin%2BCataly (Year: 2021).*

Garmin Store,Tread XL Overland, All-Terrain 10" GPS Navigator, Date first available Jan. 26, 2022, [online]retrieved Mar. 18, 2022, available from https://www.amazon.com/dp/B09R96BQ1J/ref=sspa_dk_detail_1?pd_rd_i=B09R96BQ1J&pd_rd_w=EKQne&pf_rd_p=b9951ce4-3bd8-4b04-9123-0fda35d6155e&pd_rd_wg=EQZ2j&pf_rd_r (Year: 2022).*

Amazon Renewed Store, Garmin dēzlCam 785 LMT-S GPS Truck Navigator, Date first available Jul. 9, 2019,[online]retrieved Mar. 18, 2022,available from https://www.amazon.com/dp/B07V576T4G/ref=sspa_dk_detail_5?psc=1&pd_rd_i=B07V576T4G&pd_rd_w=CY4Yv&pf_rd_p=b9951ce4-3bd8-4b04-9123-0fda35d6155e&pd_rd_wg=WiXIM&p (Year: 2019).*

U.S. Appl. No. 29/726,446, filed Mar. 3, 2020.

U.S. Appl. No. 29/729,940, filed Mar. 31, 2020.

Printout from <https://buy.garmin.com/en-US/US/p/589643/pn/010-01858-02> published prior to Sep. 30, 2021.

Printout from <https://buy.garmin.com/en-US/US/p/679804/pn/010-02296-00> published prior to Sep. 30, 2021.

Printout from <https://buy.garmin.com/en-US/US/p/684269/pn/010-02315-00> published prior to Sep. 30, 2021.

Printout from <https://buy.garmin.com/en-US/US/p/699779/pn/010-02347-10> published prior to Sep. 30, 2021.

Printout from <https://www.magellangps.com/magellan-trx-off-road-gps-navigation> published prior to Sep. 30, 2021.

* cited by examiner

Fig. 1

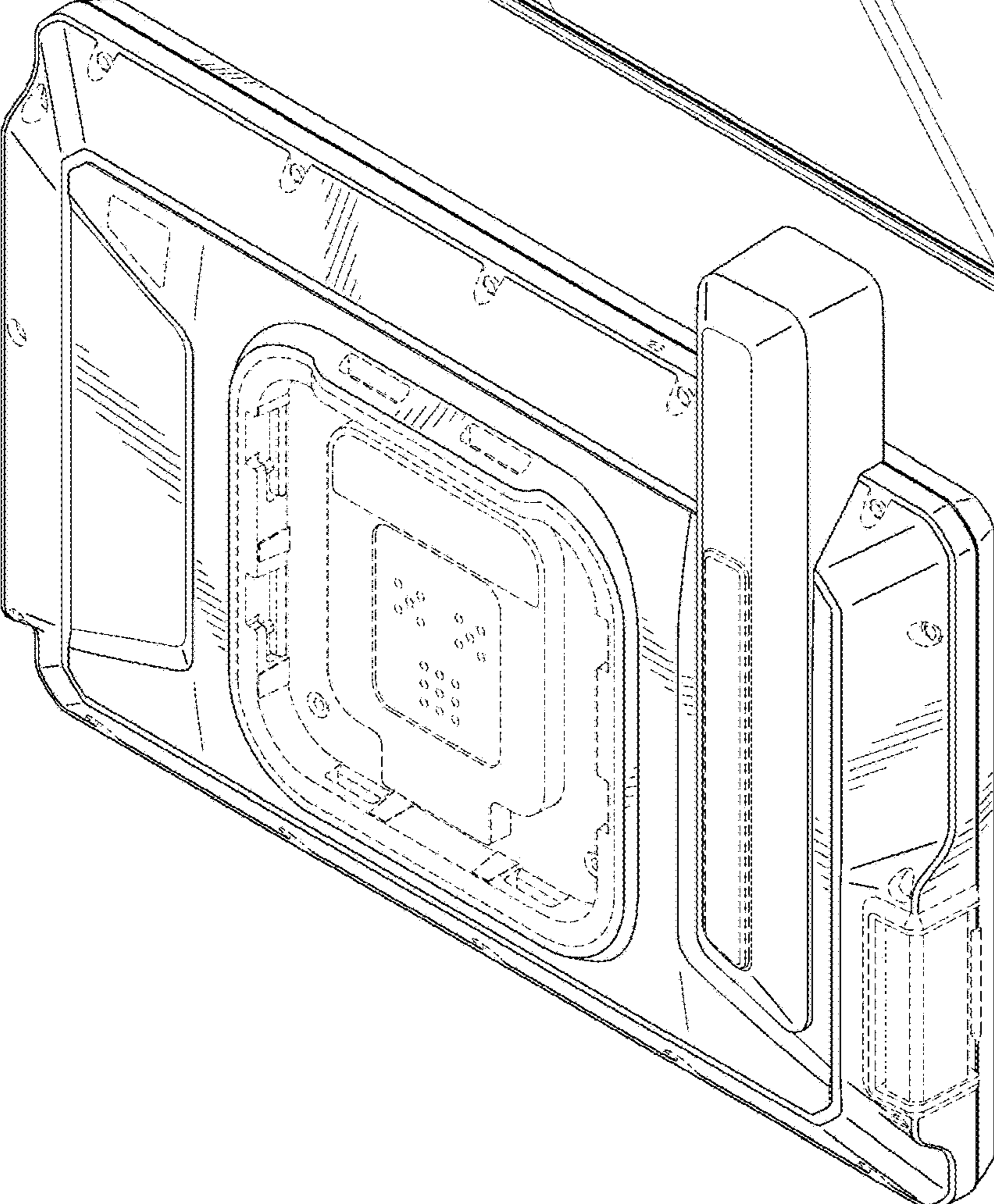
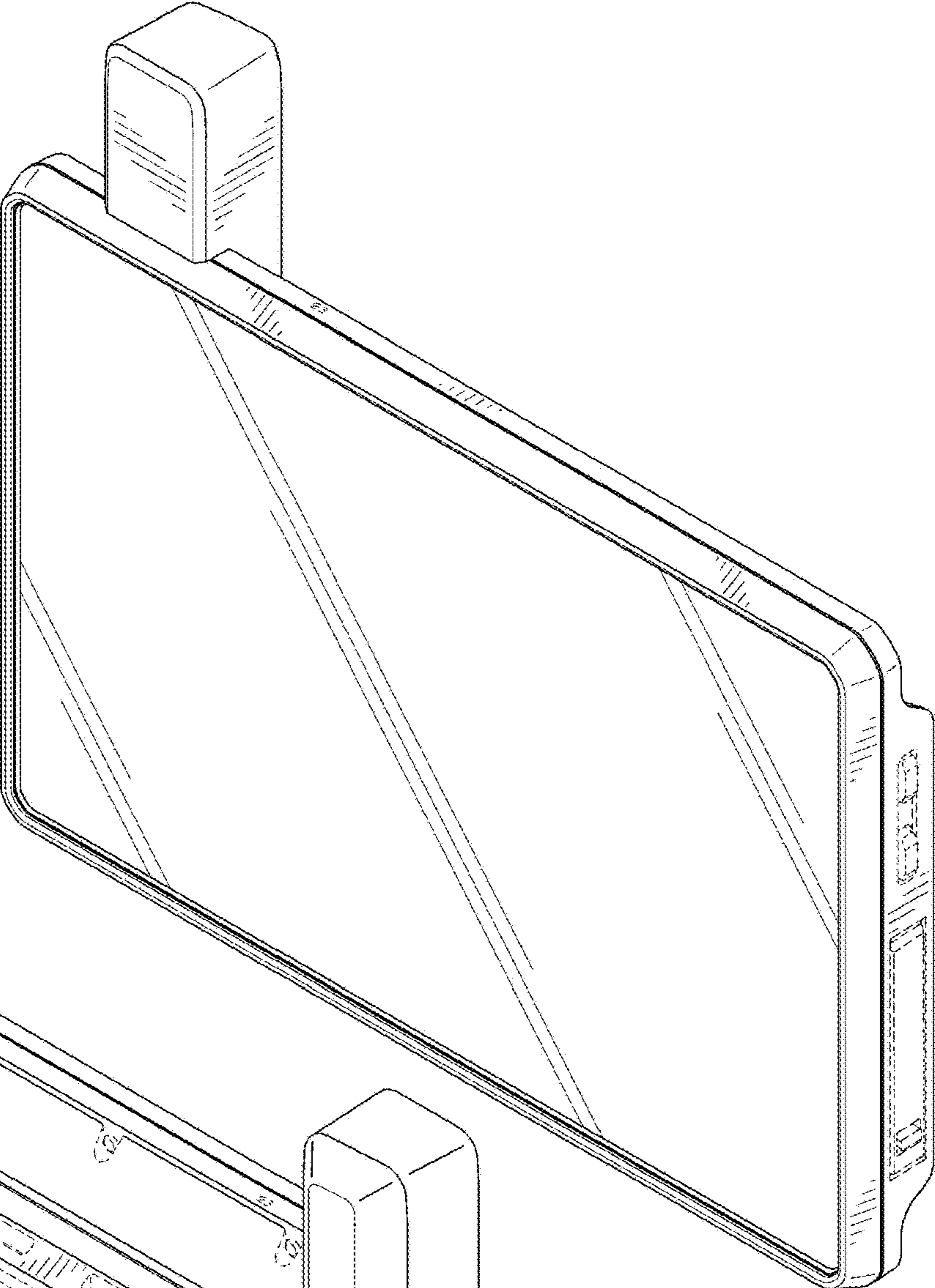


Fig. 2

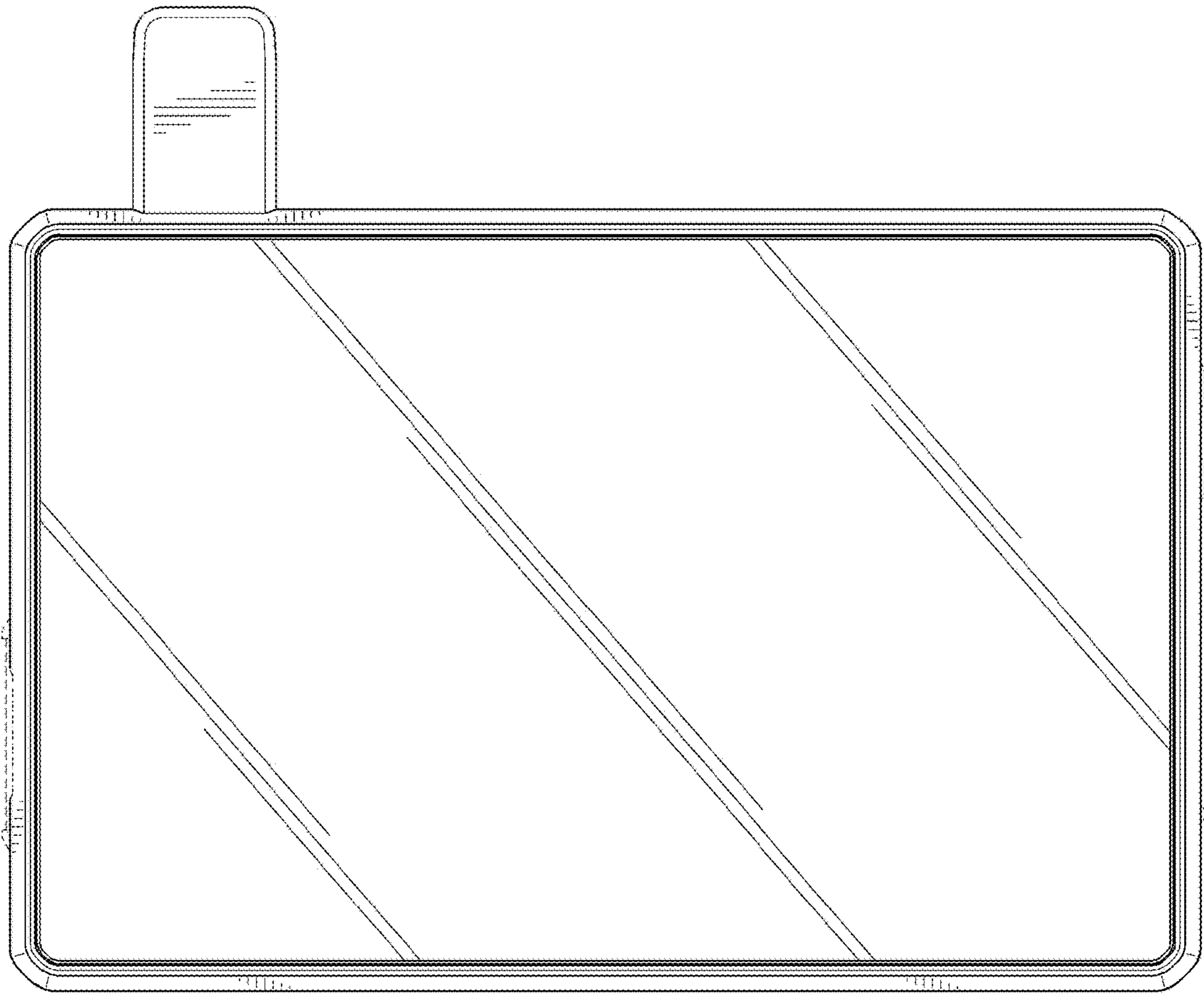


Fig. 3

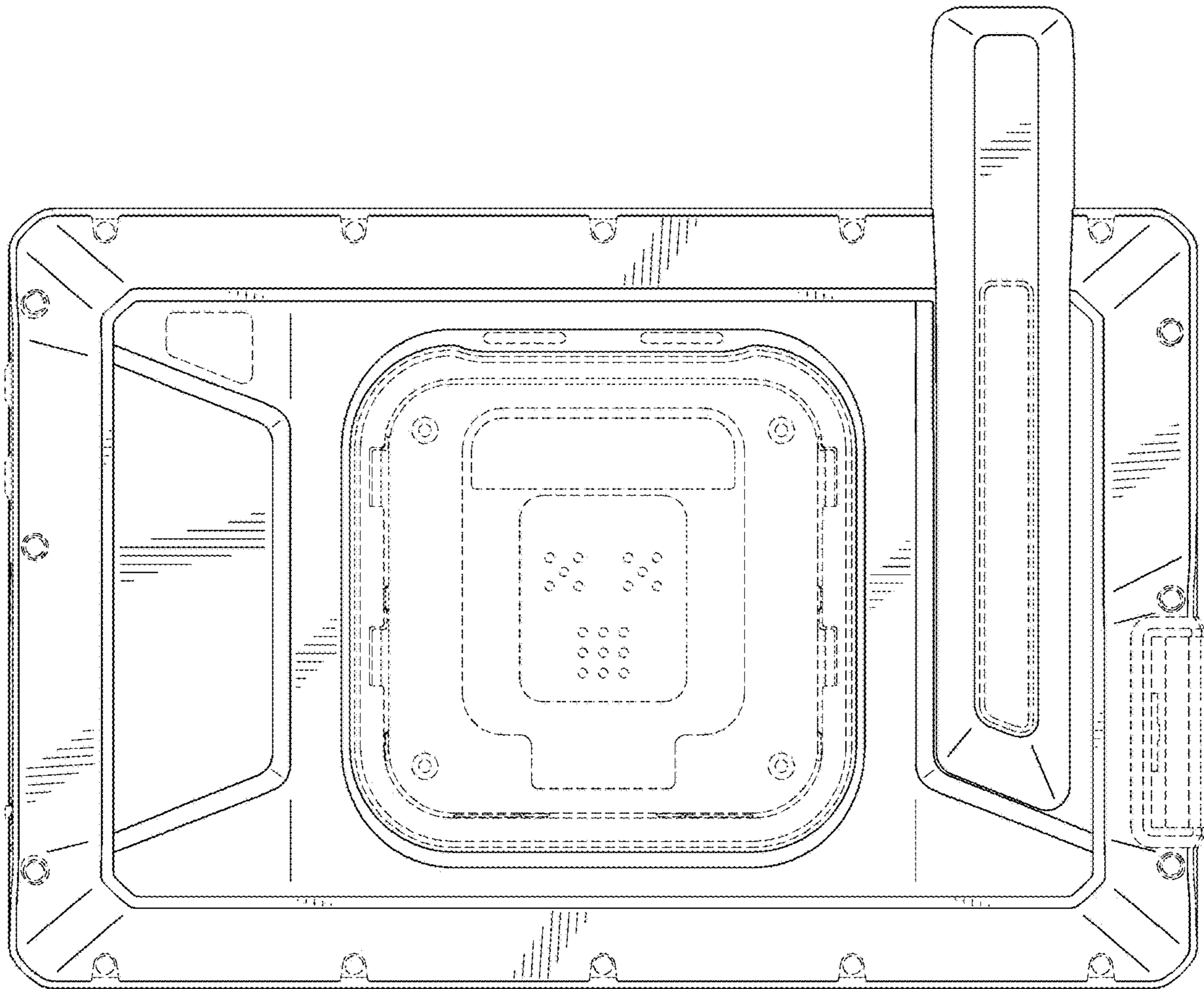


Fig. 4

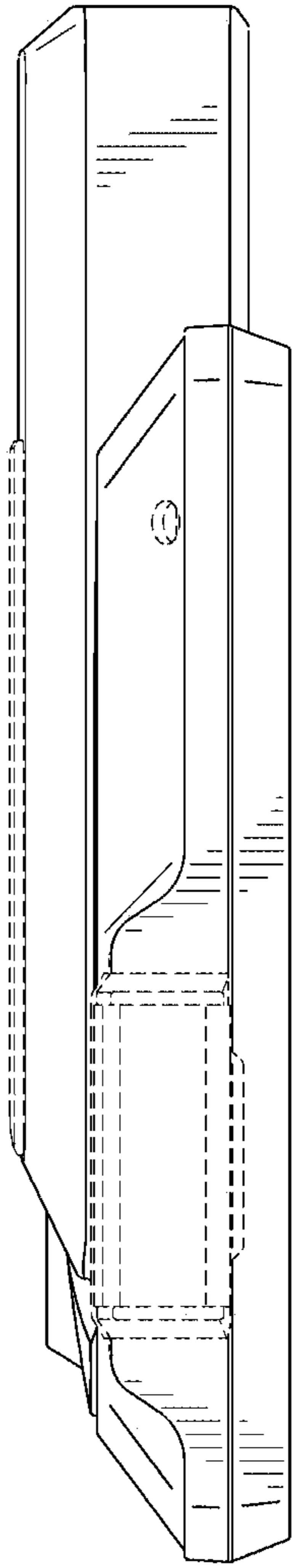


Fig. 5

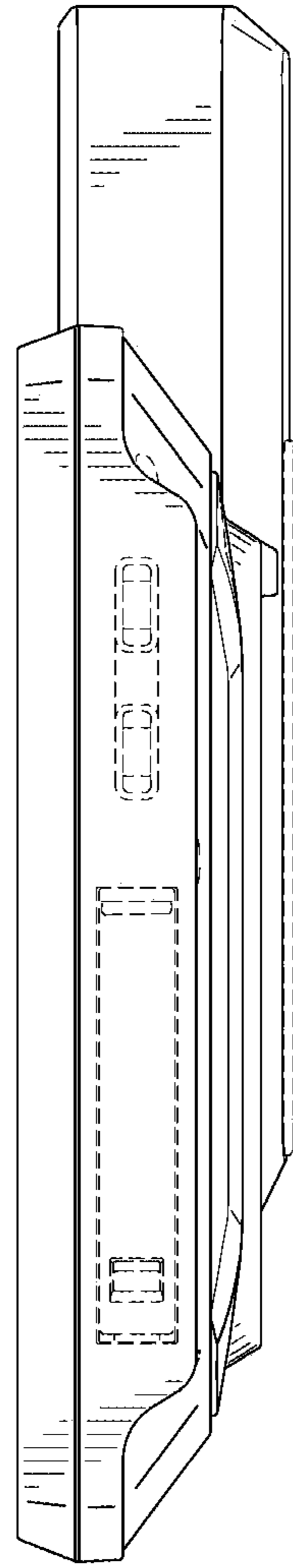


Fig. 6

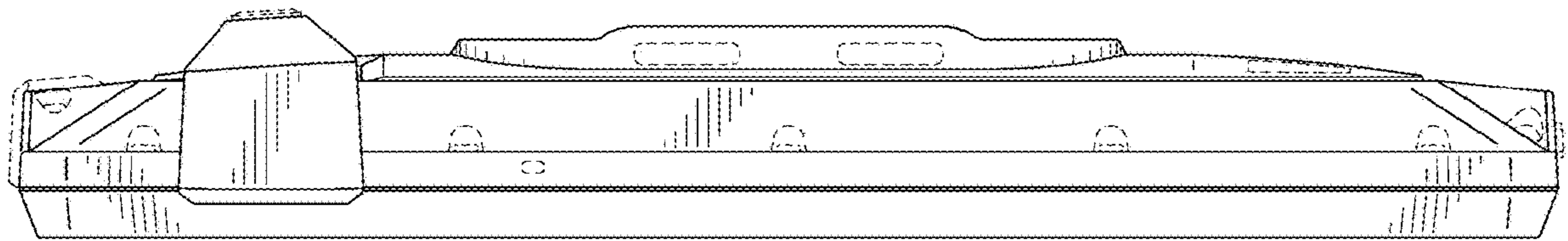


Fig. 7

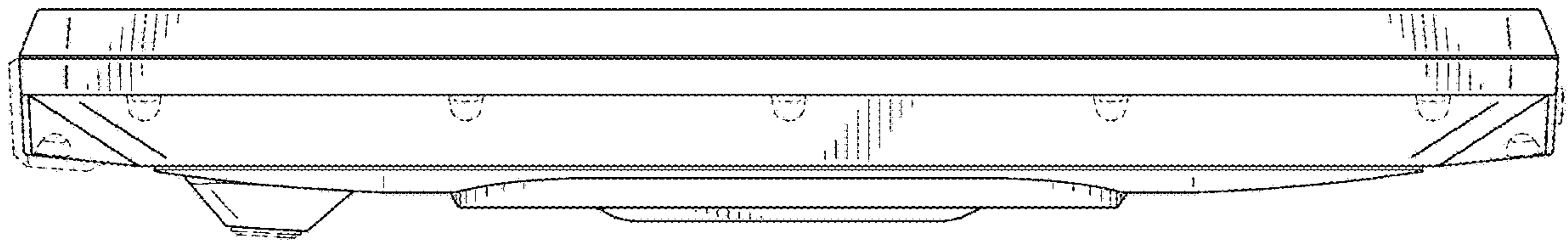


Fig. 8