



US00D961417S

(12) **United States Design Patent**
Cho et al.

(10) **Patent No.:** **US D961,417 S**

(45) **Date of Patent:** **** Aug. 23, 2022**

(54) **ELECTRONIC DEVICE**

(71) Applicant: **Garmin Switzerland GmbH**,
Schaffhausen (CH)
(72) Inventors: **Masahito Cho**, Olathe, KS (US);
Jonathan K. Ferlas, Prairie Village, KS
(US); **Larrin Wada**, Olathe, KS (US)

(73) Assignee: **Garmin Switzerland GmbH**

(**) Term: **15 Years**

(21) Appl. No.: **29/727,341**

(22) Filed: **Mar. 10, 2020**

(51) **LOC (13) Cl.** **10-05**

(52) **U.S. Cl.**
USPC **D10/65; D22/134**

(58) **Field of Classification Search**
USPC D10/96-103, 65-80, 61, 65-69;
D22/134, 199, 146
CPC G01S 19/35; G01S 19/14; G01S 19/51;
G01S 15/8902; G01S 15/96; G01S 15/93;
G01S 15/88; G01S 17/02; G01S 17/87;
G01S 7/521; G10K 11/006
See application file for complete search history.

(56) **References Cited**

U.S. PATENT DOCUMENTS

5,463,597 A * 10/1995 Harlev G01S 7/003
43/17.1
5,771,205 A * 6/1998 Currier A01K 97/00
43/17.1
D585,521 S * 1/2009 Crawford D22/134
8,186,097 B2 * 5/2012 Crawford A01K 61/90
224/103
D742,480 S * 11/2015 Zhang D22/134
D762,130 S * 7/2016 Hays D10/70
D762,131 S * 7/2016 Hays D10/70
D818,852 S * 5/2018 Chen D10/65
2005/0170718 A1 * 8/2005 Rogerson B63B 22/02
441/3

(Continued)

FOREIGN PATENT DOCUMENTS

CN 303189024 * 11/2014
CN 303561707 * 7/2015

(Continued)

OTHER PUBLICATIONS

Deeper Store, Start Smart Fish Finder, Date first available May 1, 2018, [online]retrieved Apr. 8, 2022,available from https://www.amazon.com/Deeper-Start-Smart-Fish-Finder/dp/B07BR2FQZN/ref=psdc_551460_t1_B08LDZWMKF (Year: 2018).*

(Continued)

Primary Examiner — Keli L Hill

Assistant Examiner — Sara S Sahneh

(74) *Attorney, Agent, or Firm* — Samuel M. Korte; Max M. Ali

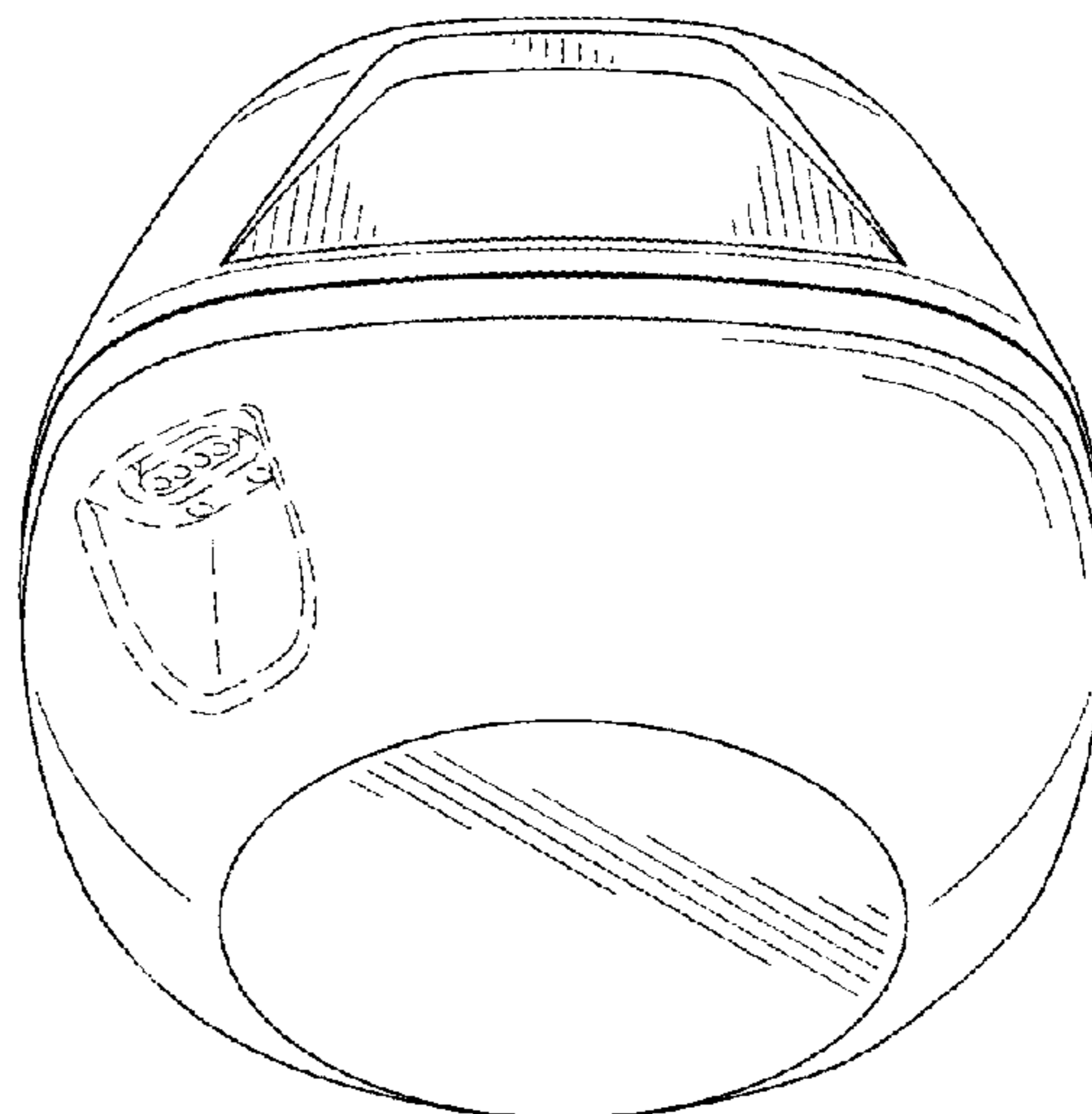
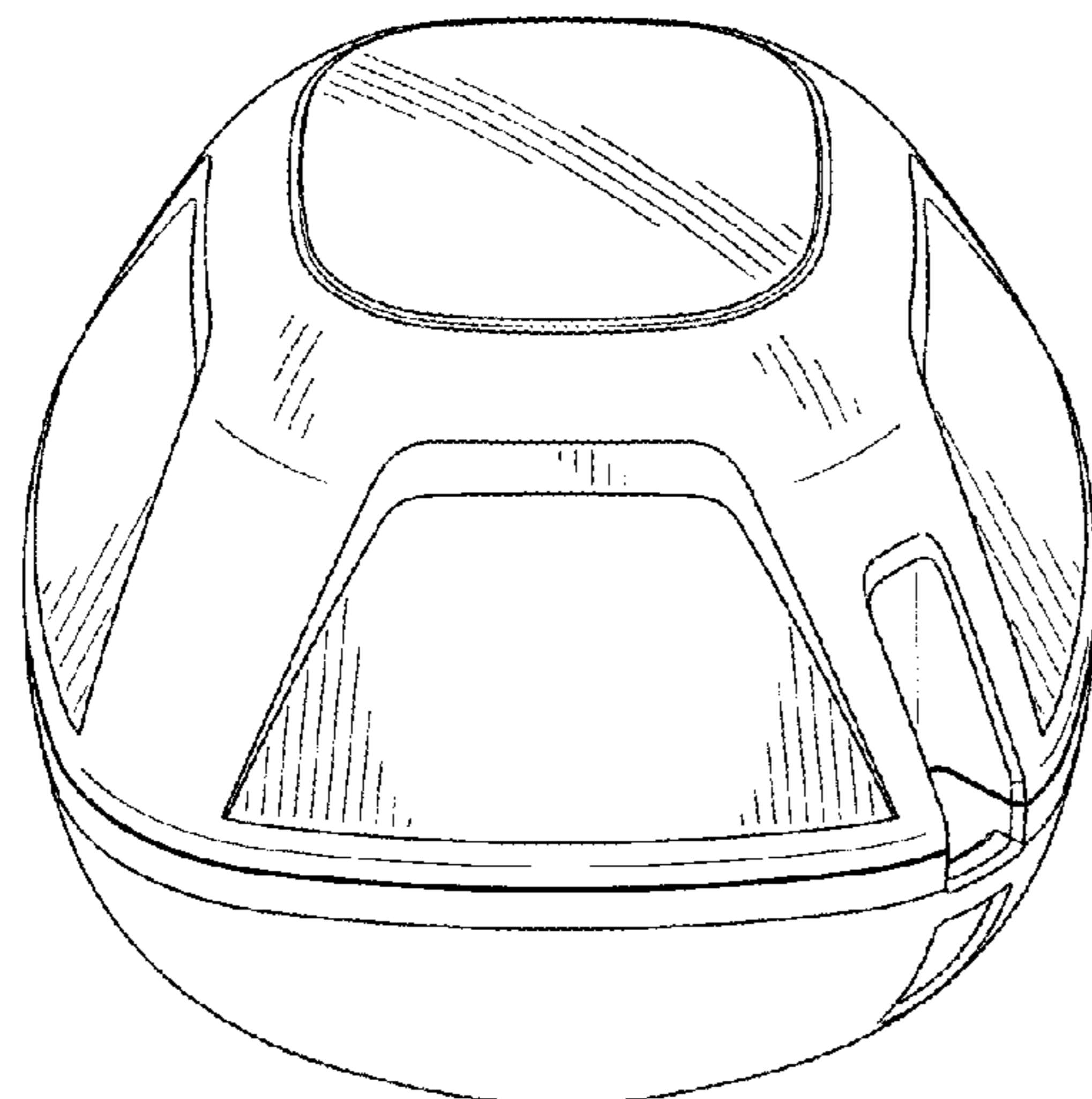
(57) **CLAIM**

The ornamental design for a electronic device, as shown and described.

DESCRIPTION

FIG. 1 is a front perspective view of an electronic device according to the present invention; FIG. 2 is a rear perspective view of the electronic device; FIG. 3 is a top view of the electronic device; FIG. 4 is a bottom view of the electronic device; FIG. 5 is a front view of the electronic device; FIG. 6 is a rear view of the electronic device; FIG. 7 is a left side view of the electronic device; and, FIG. 8 is a right side view of the electronic device. The broken lines shown in the drawings represent portions of the electronic device that form no part of the claimed design.

1 Claim, 4 Drawing Sheets



(56)

References Cited

U.S. PATENT DOCUMENTS

2014/0009481 A1* 1/2014 Butterworth G01S 7/58
345/581
2014/0057677 A1* 2/2014 Liubinas H04M 1/026
367/87
2015/0346339 A1* 12/2015 Zenanko A01K 97/125
367/173
2017/0023676 A1* 1/2017 Laster G01S 7/003

FOREIGN PATENT DOCUMENTS

CN 304191143 * 3/2017
CN 304302036 * 4/2017
CN 306823479 * 4/2021
CN 307140970 * 10/2021
JP D1662999 * 10/2019

OTHER PUBLICATIONS

Yamo Dudo, Underwater Fish Finder, Date first available 2022,
[online]retrieved Apr. 12, 2022,available from https://www.amazon.com/dp/B09T396N5V/ref=sspa_dk_detail_4?psc=1&pf_rd_p=b9951ce4-3bd8-4b04-9123-0fda35d6155e&pd_rd_wg=stRL1&pf_rd_r=3N25J0RNRAG3W4R2W0AD&pd_rd_w=wcLGf&pd_rd_r=7b... (Year: 2022).*

Garmin, Striker Cast, Date first available Oct. 27, 2020, [online]retrieved Apr. 12, 2022,available from https://www.amazon.com/dp/B08LDZWMKF/ref=sspa_dk_detail_2?pf_rd_p=dae498aa-ddd7-4672-8f8e-8f83deeac4ef&pd_rd_wg=pxrbQ&pf_rd_r=40YBHQ5CC2891H3CKK7K&pd_rd_w=CCwfa&pd_rd_r=71f85420... (Year: 2020).*

Printout from https://deepersonar.com/us/en_us, published prior to Mar. 10, 2020.

Printout from <https://reelsonar.com/>, published prior to Mar. 10, 2020.

Printout from <https://www.lowrance.com/lowrance/type/castables/lowrance-fishhunter-3d>, published prior to Mar. 10, 2020.

Printout from <https://www.luckysonar.com/product/lucky-laker/>, published prior to Mar. 10, 2020.

Printout from <https://www.luckysonar.com/product/lucky-laker/>, published prior to Mar. 10, 2020.

* cited by examiner

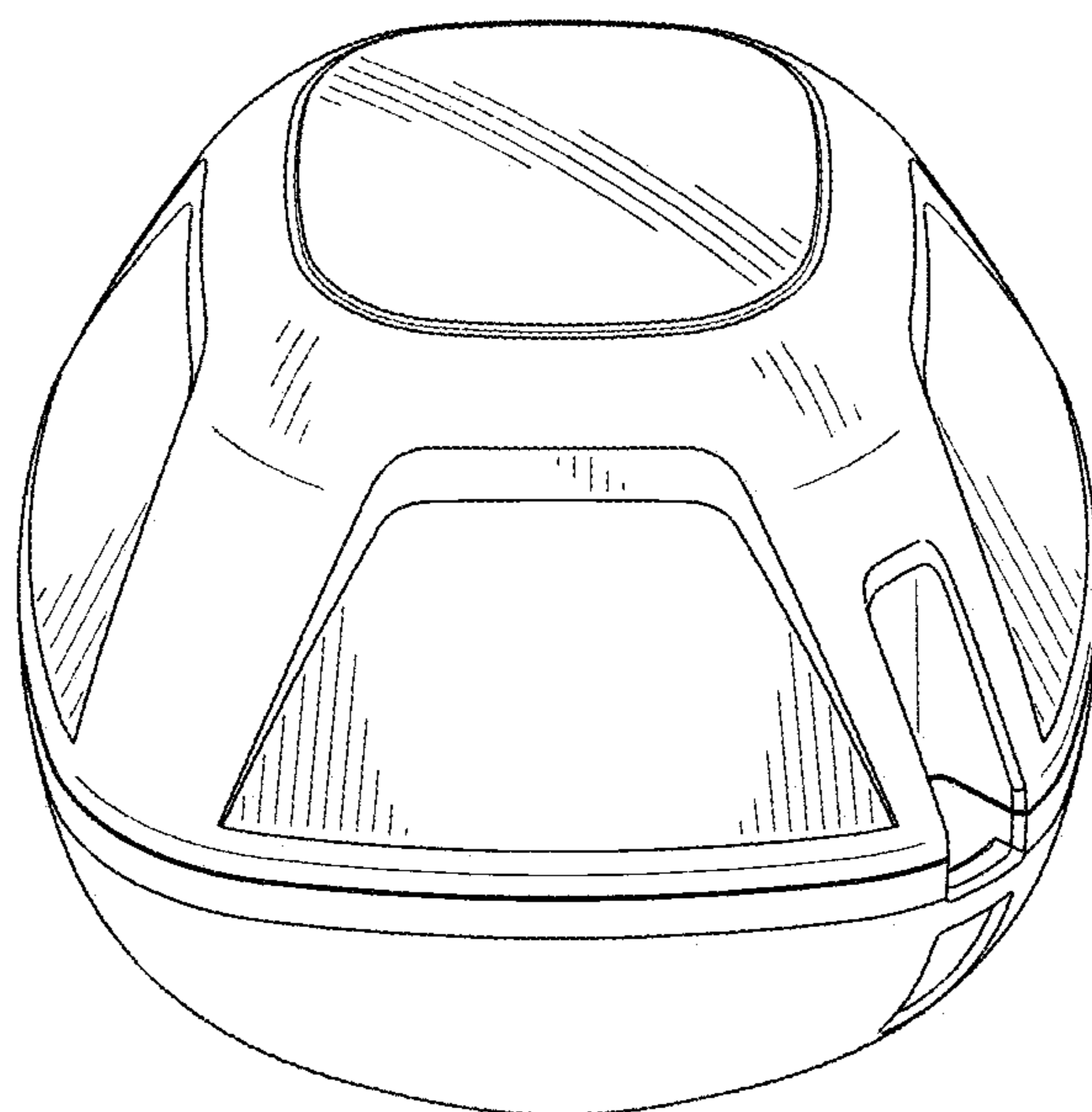


Fig. 1

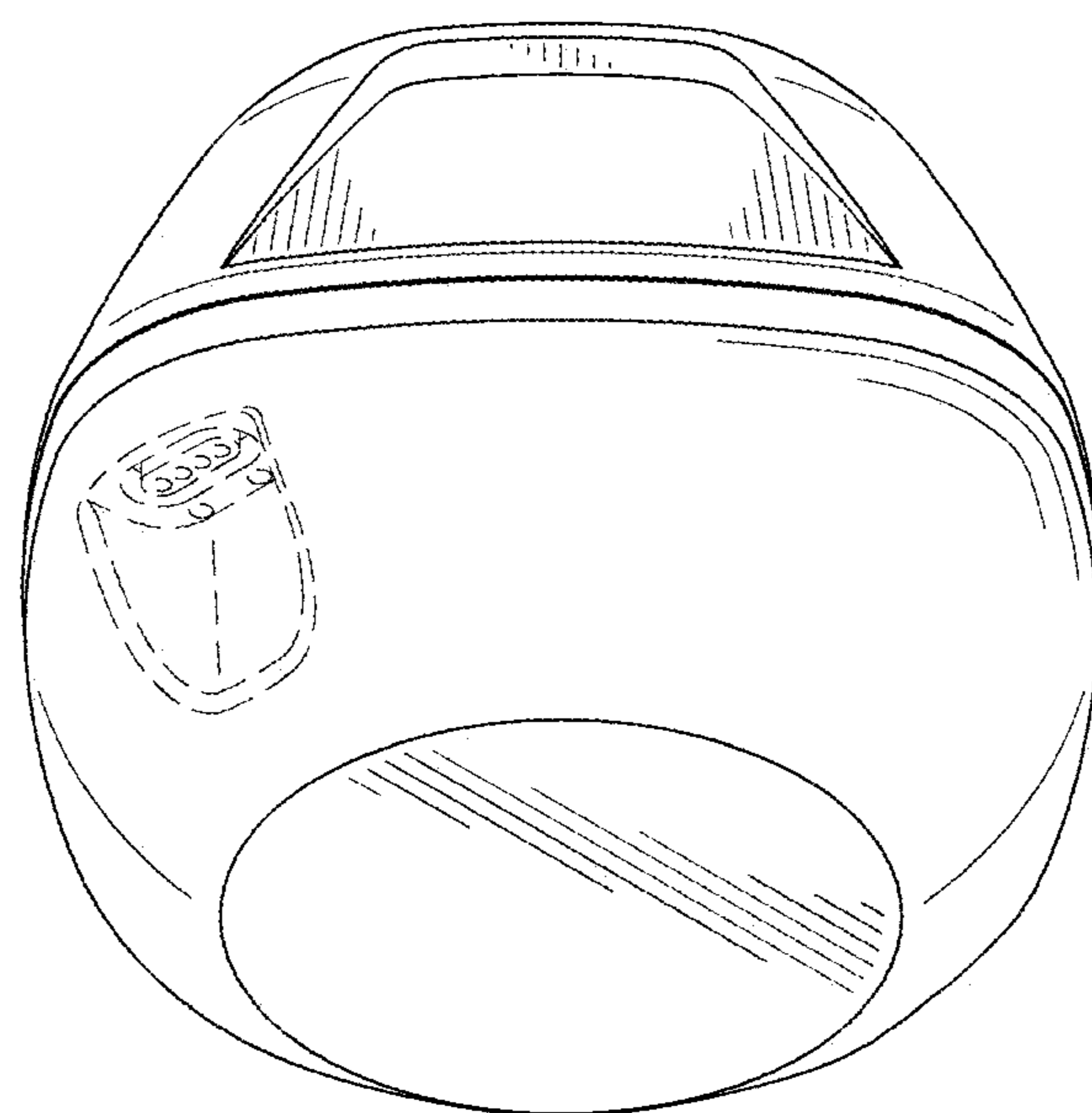


Fig. 2

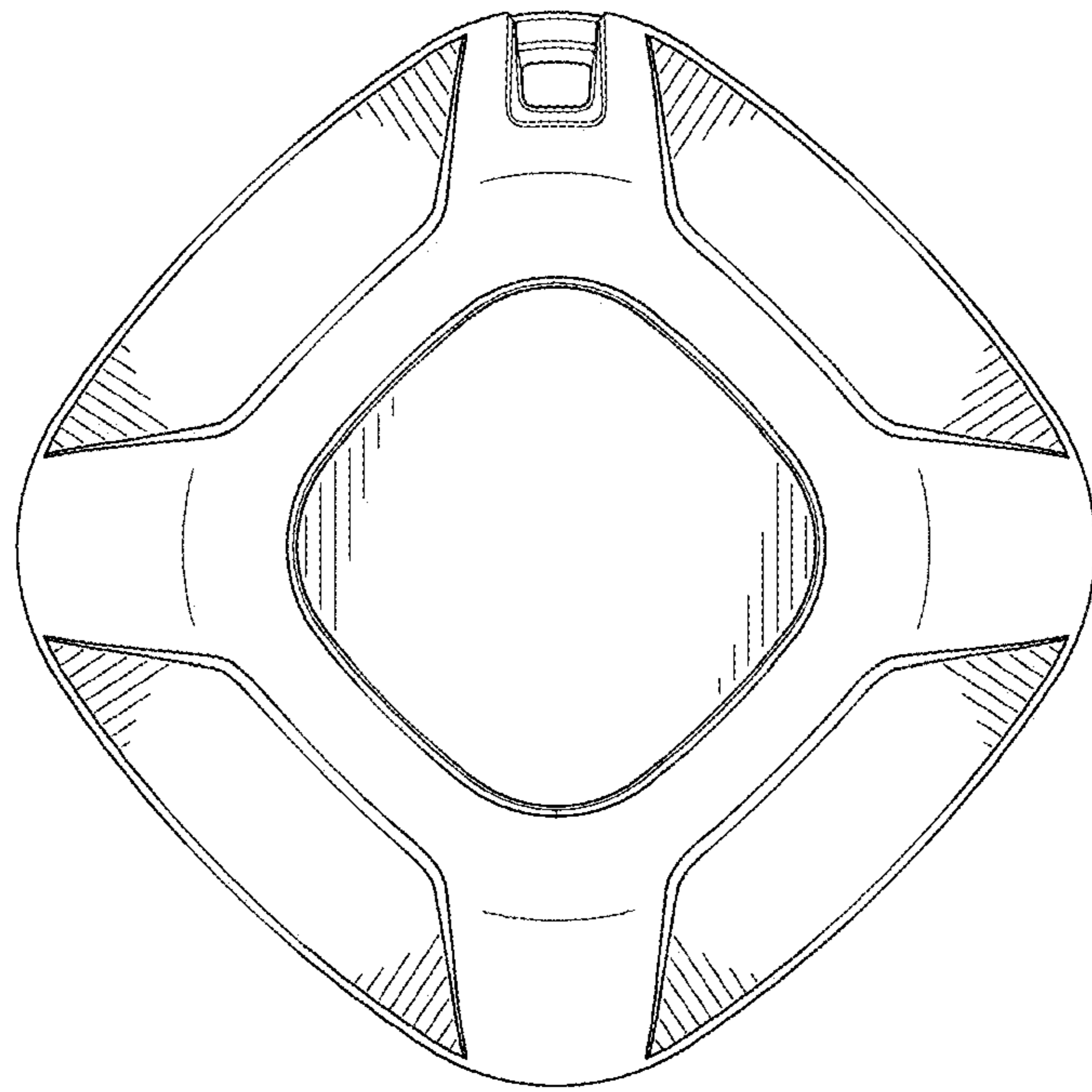


Fig. 3

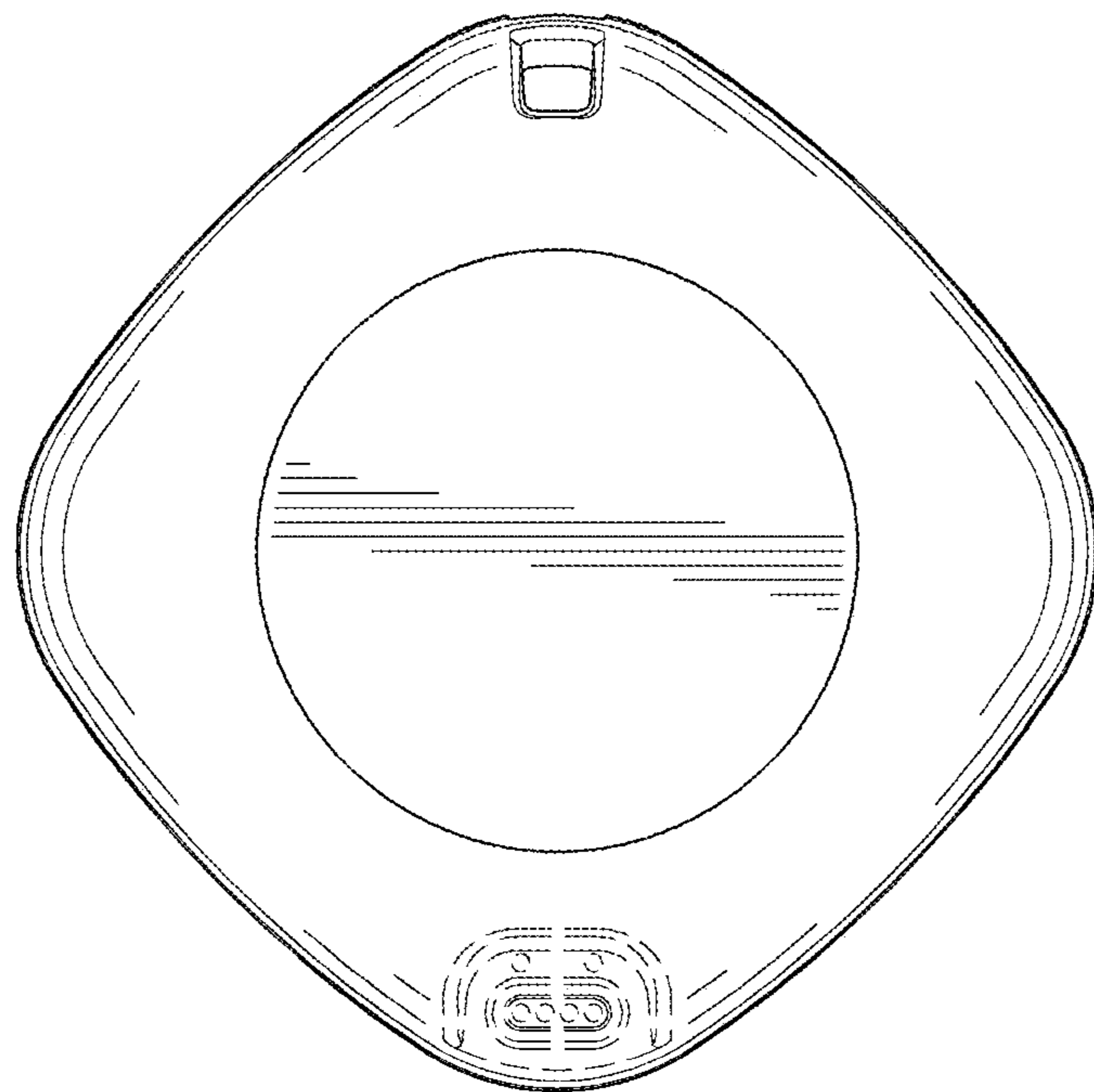


Fig. 4

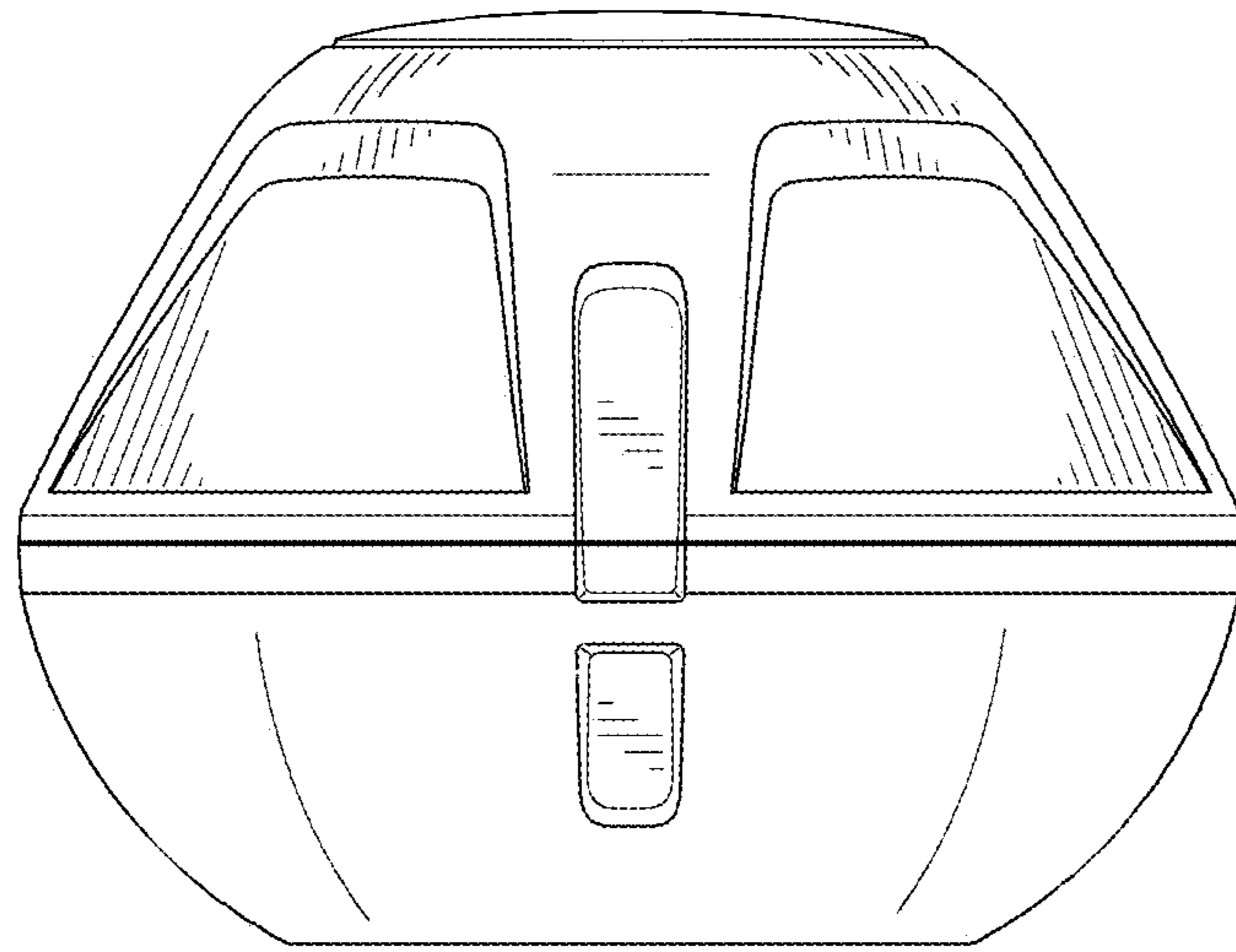


Fig. 5

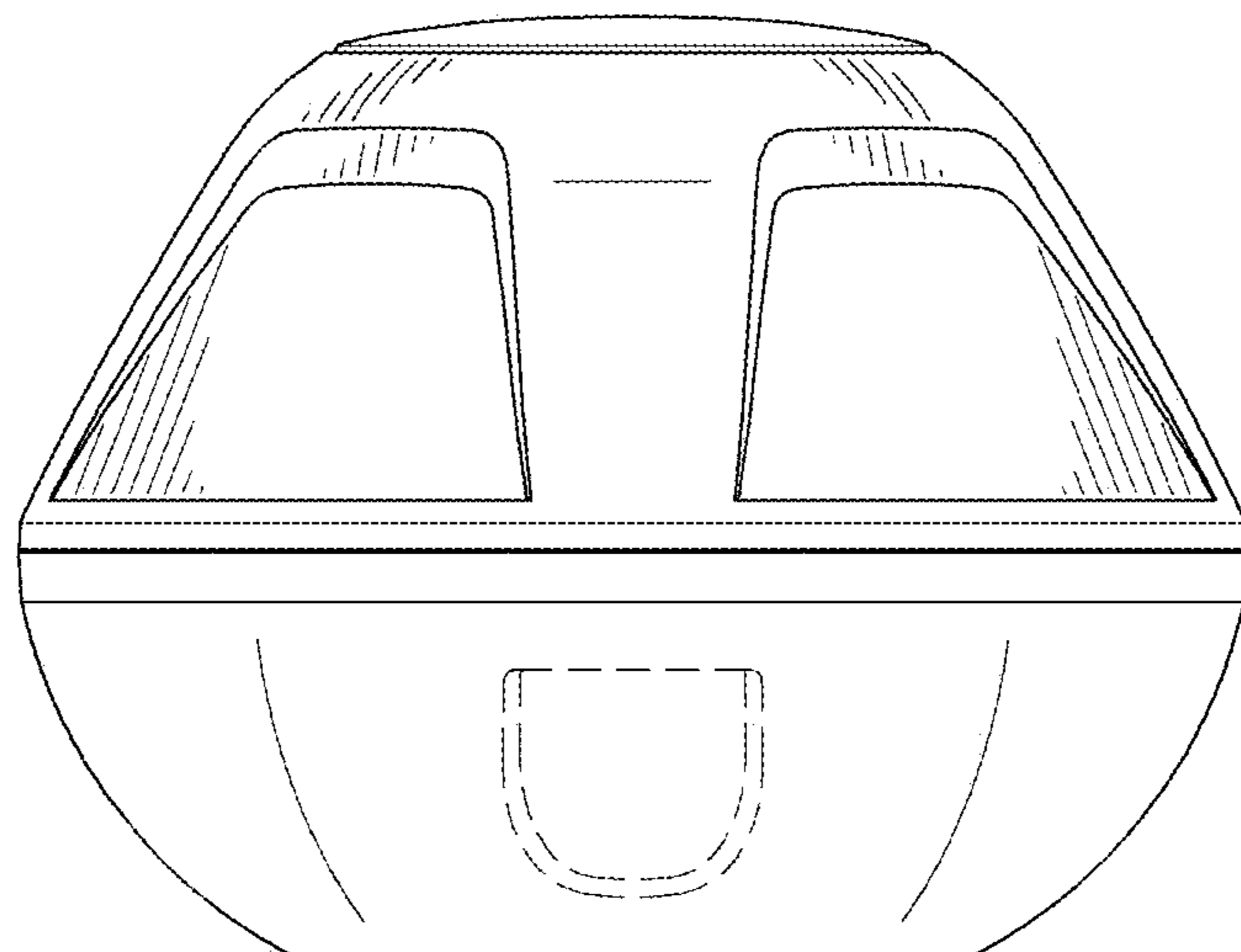


Fig. 6

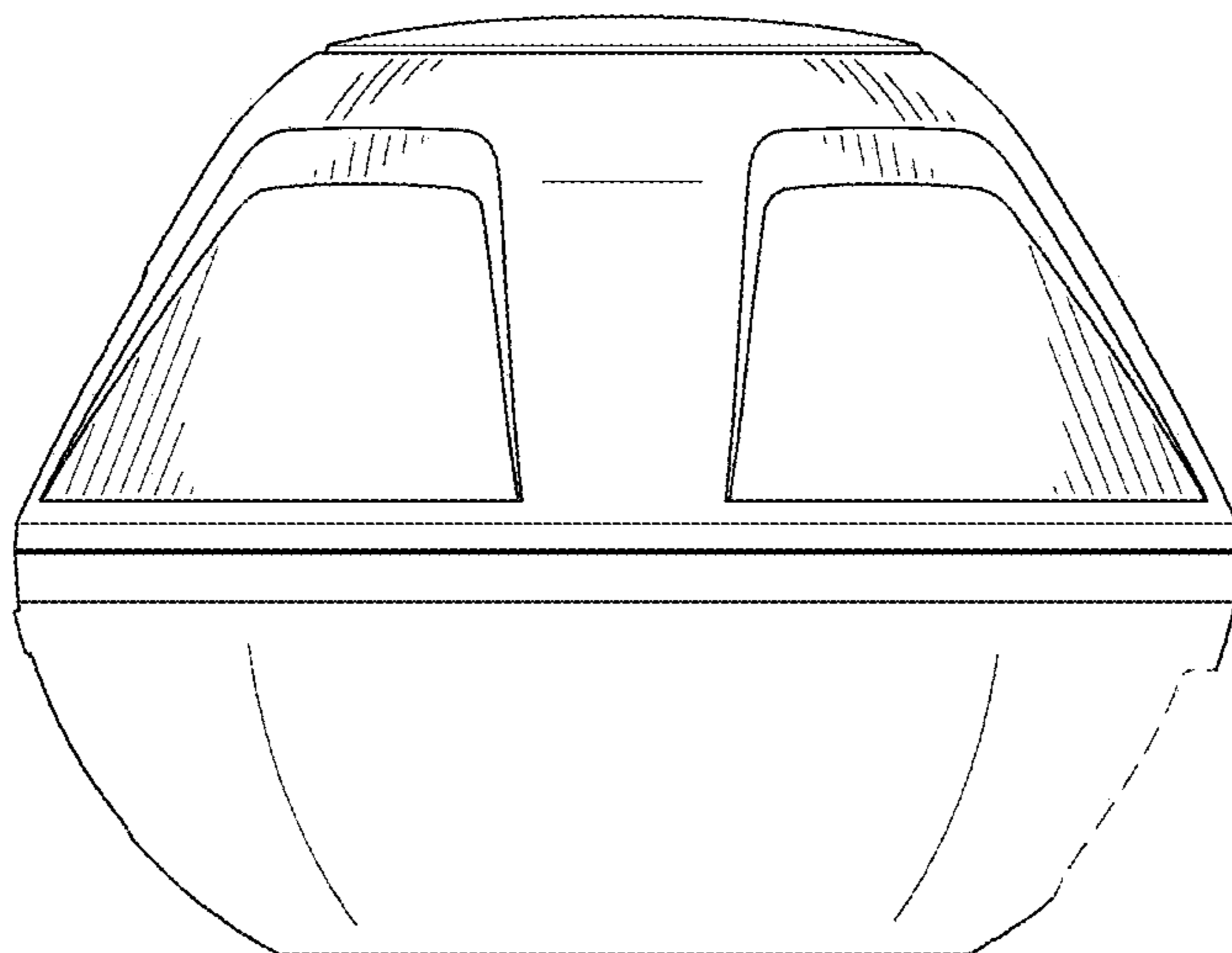


Fig. 7

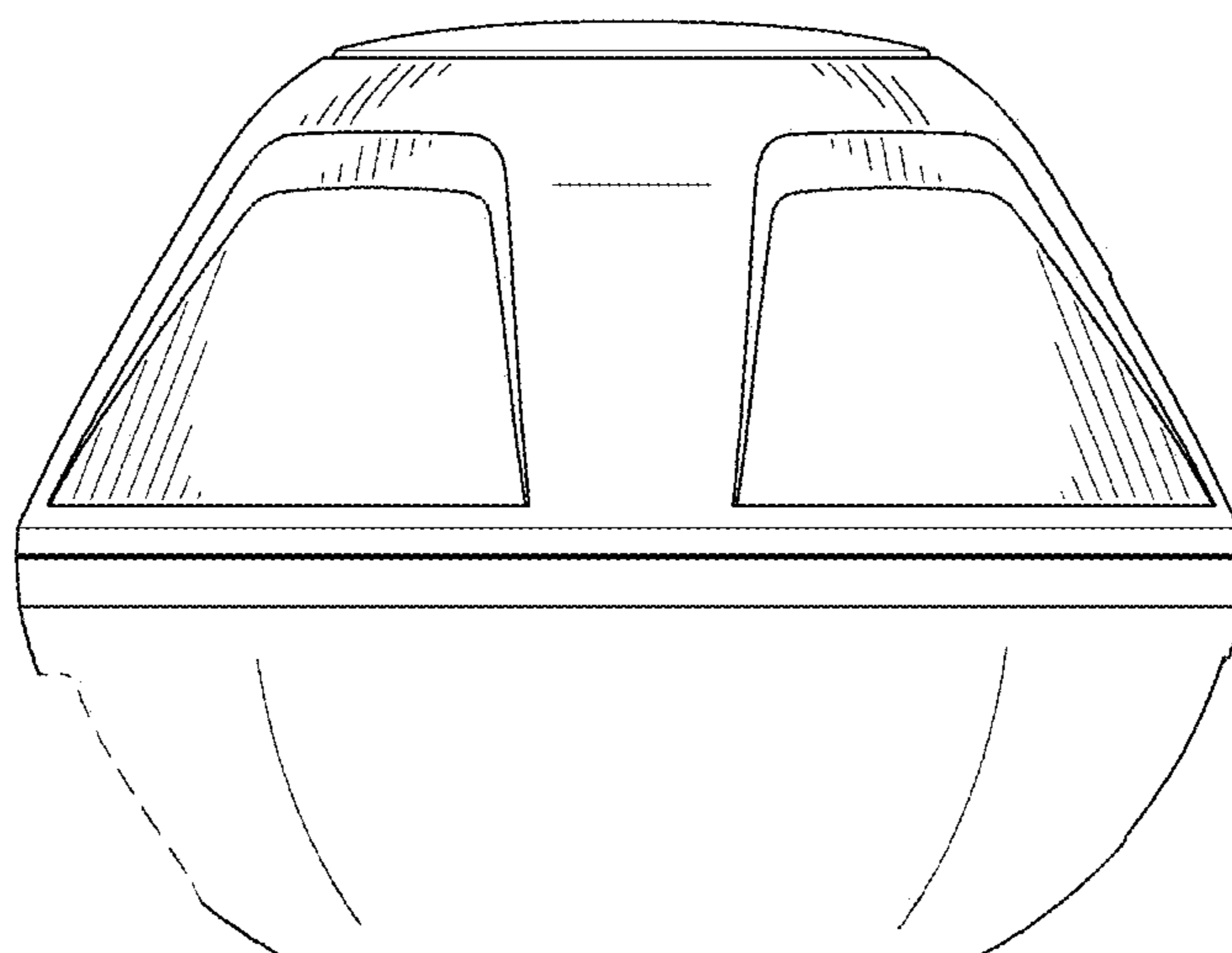


Fig. 8