



US00D961415S

(12) **United States Design Patent**
Su

(10) **Patent No.:** **US D961,415 S**

(45) **Date of Patent:** **** Aug. 23, 2022**

(54) **FOREHEAD THERMOMETER**

(71) Applicant: **Shenzhen Kangzhan Communication Electronics Co., Ltd., Shenzhen (CN)**

(72) Inventor: **Baotong Su, Shenzhen (CN)**

(**) Term: **15 Years**

(21) Appl. No.: **29/759,099**

(22) Filed: **Nov. 20, 2020**

(51) **LOC (13) Cl.** **10-04**

(52) **U.S. Cl.**
USPC **D10/57**

(58) **Field of Classification Search**
USPC **D10/57**

CPC G01K 1/02; G01K 1/022; G01K 1/024;
G01K 1/08; G01K 1/083; G01K 1/086;
G01K 3/00-14; G01K 2003/145; G01K
13/002; G01K 13/004; G01K 2219/00;
G01K 5/04-225; G01K 5/22; G01K
221/00; G01K 1/18; G01J 5/04; G01J
5/041; G01J 5/042; G01J 5/043; G01J
5/044; G01J 5/045; G01J 5/046; G01J
5/047; G01J 5/048; G01J 5/049; G01J
5/0265

See application file for complete search history.

(56) **References Cited**

U.S. PATENT DOCUMENTS

D873,157 S * 1/2020 Gao D10/57
D916,605 S * 4/2021 Yue D10/57
D922,886 S * 6/2021 Cao D10/57
D926,604 S * 8/2021 Wang D10/57

* cited by examiner

Primary Examiner — Antoine Duval Davis

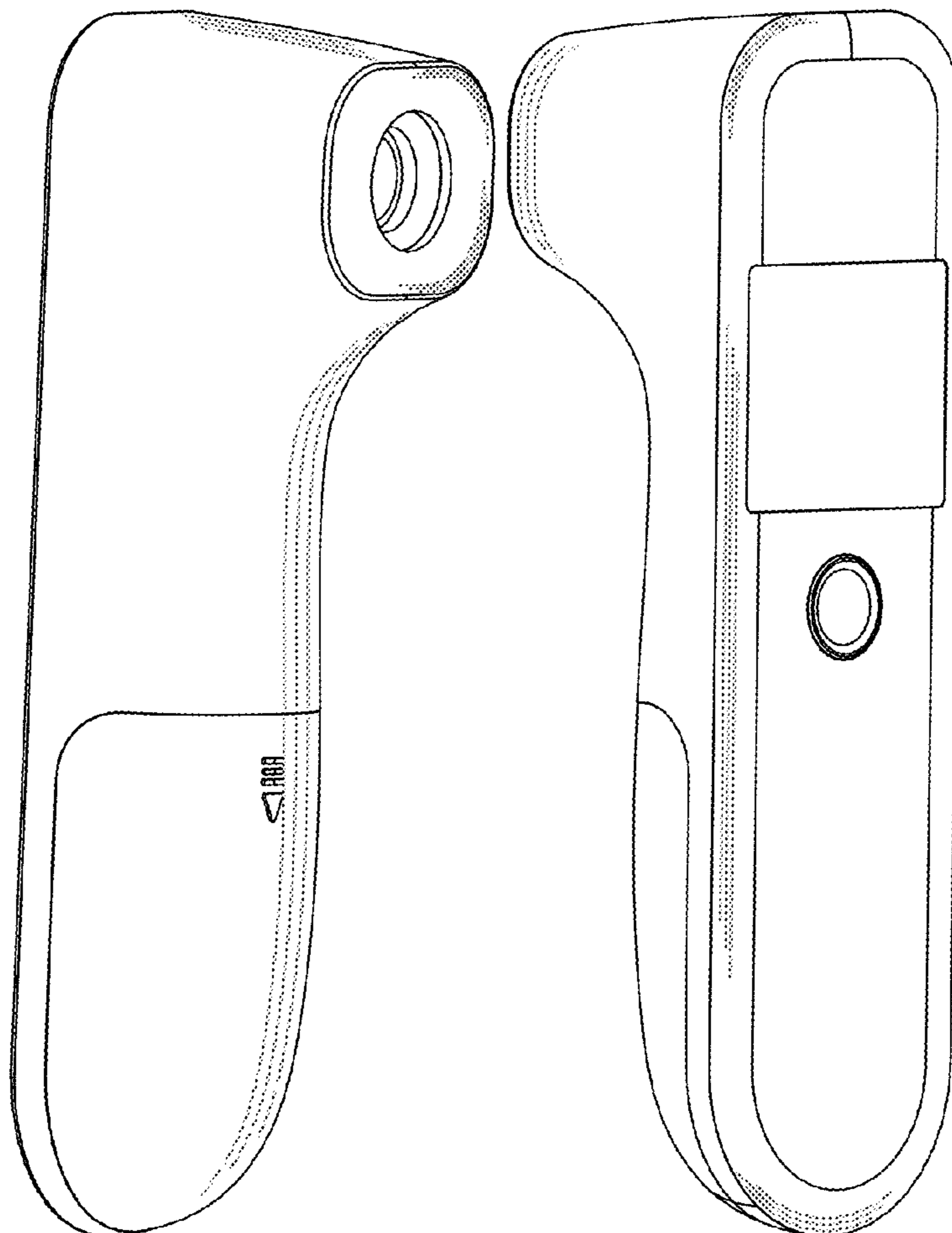
(57) **CLAIM**

The ornamental design for a forehead thermometer, as shown and described.

DESCRIPTION

FIG. 1 is a perspective view of a forehead thermometer showing my new design;
FIG. 2 is a front view thereof;
FIG. 3 is a rear view thereof;
FIG. 4 is a left side view thereof;
FIG. 5 is a right side view thereof;
FIG. 6 is a top plan view thereof;
FIG. 7 is a bottom plan view thereof; and,
FIG. 8 is another perspective view thereof.

1 Claim, 8 Drawing Sheets



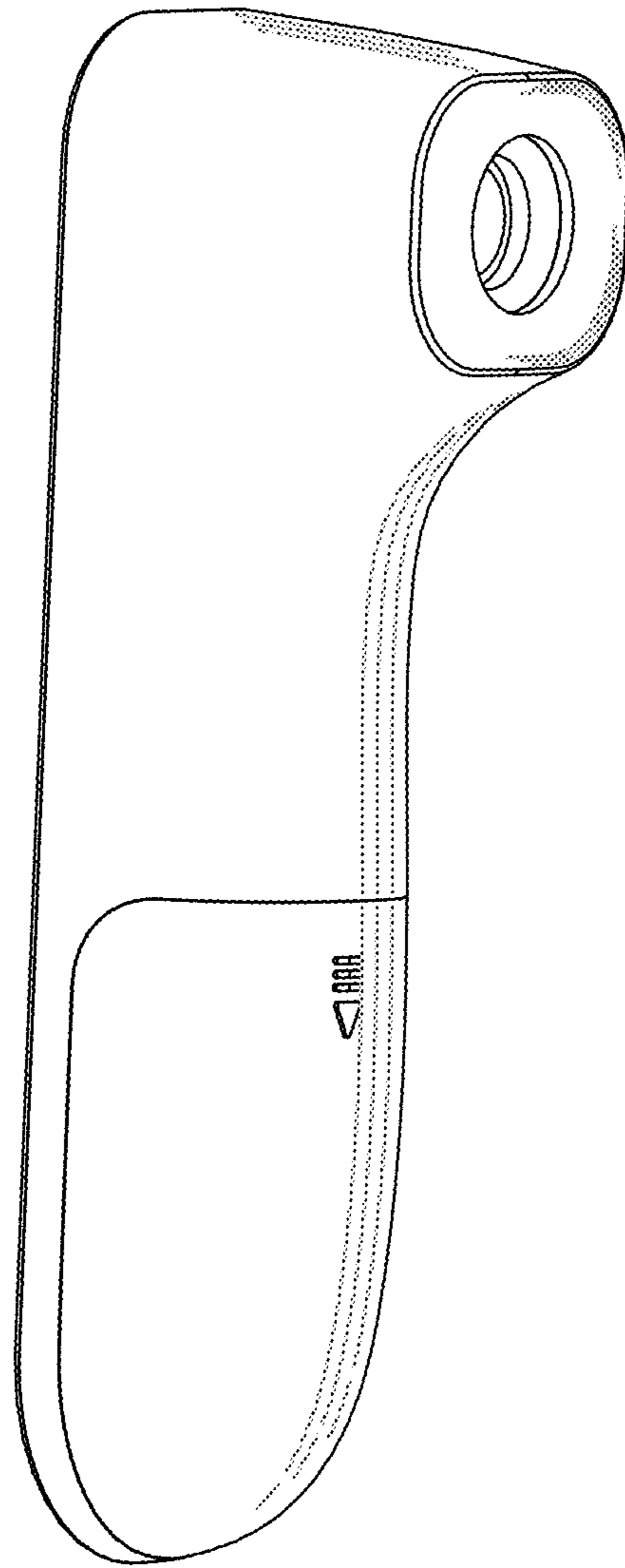


FIG.1

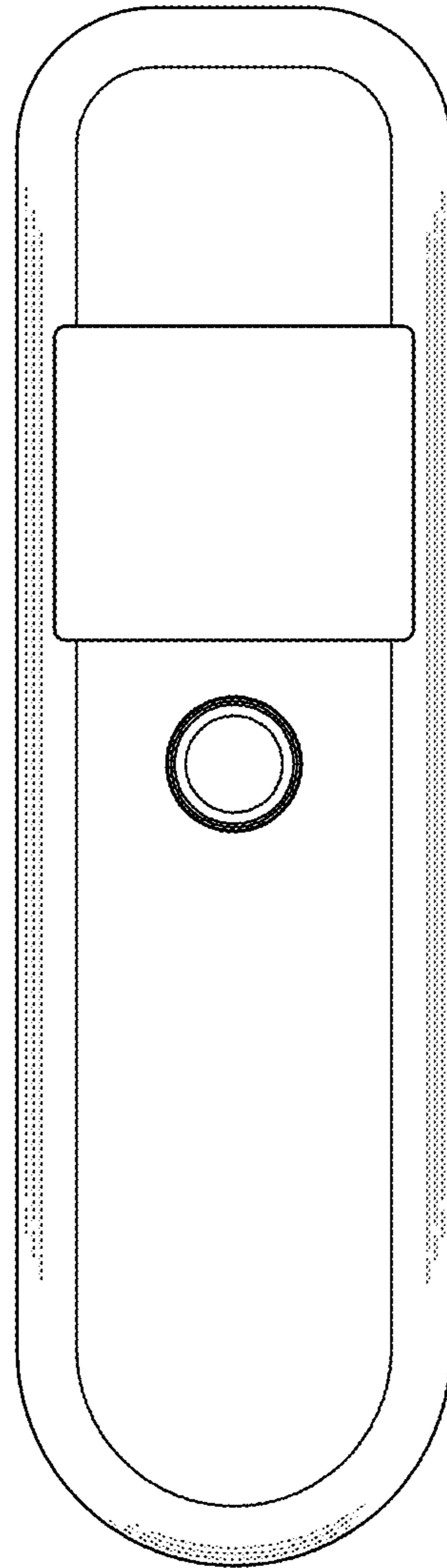


FIG.2

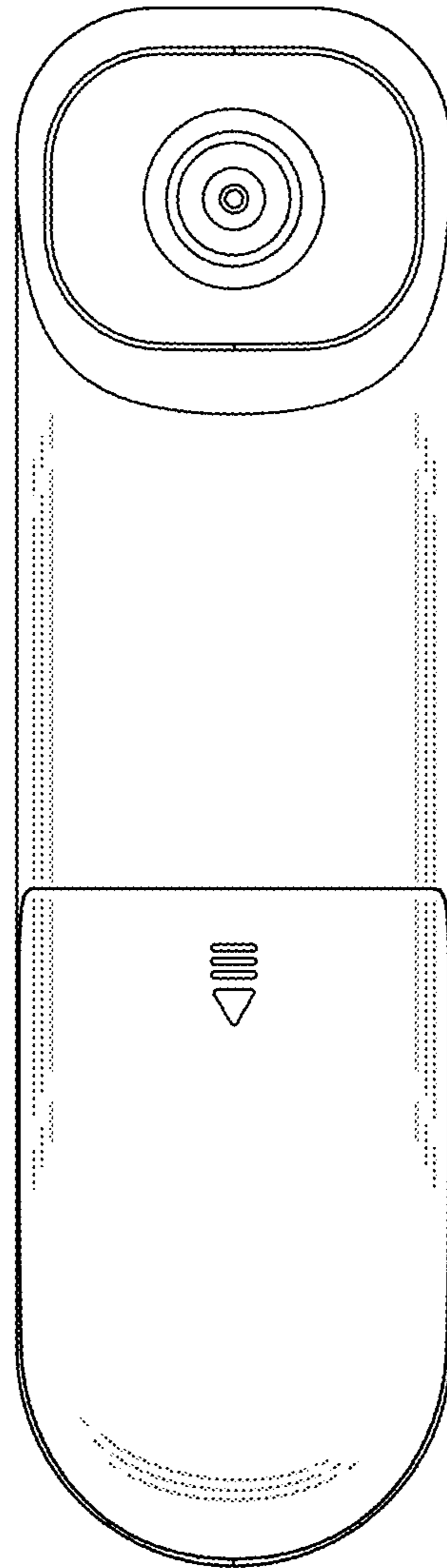


FIG.3

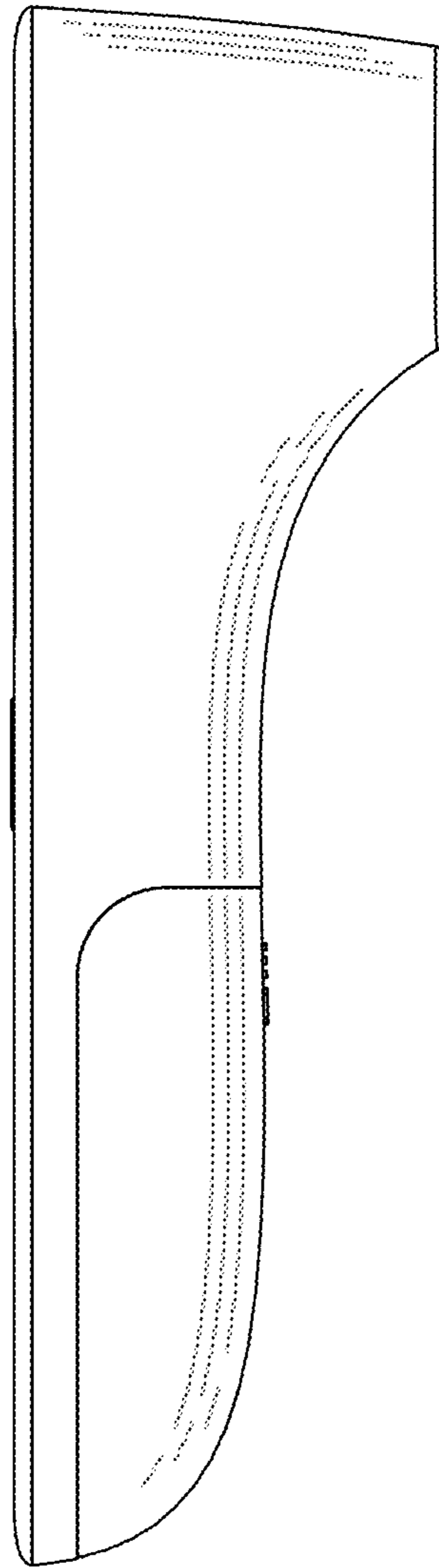


FIG.4

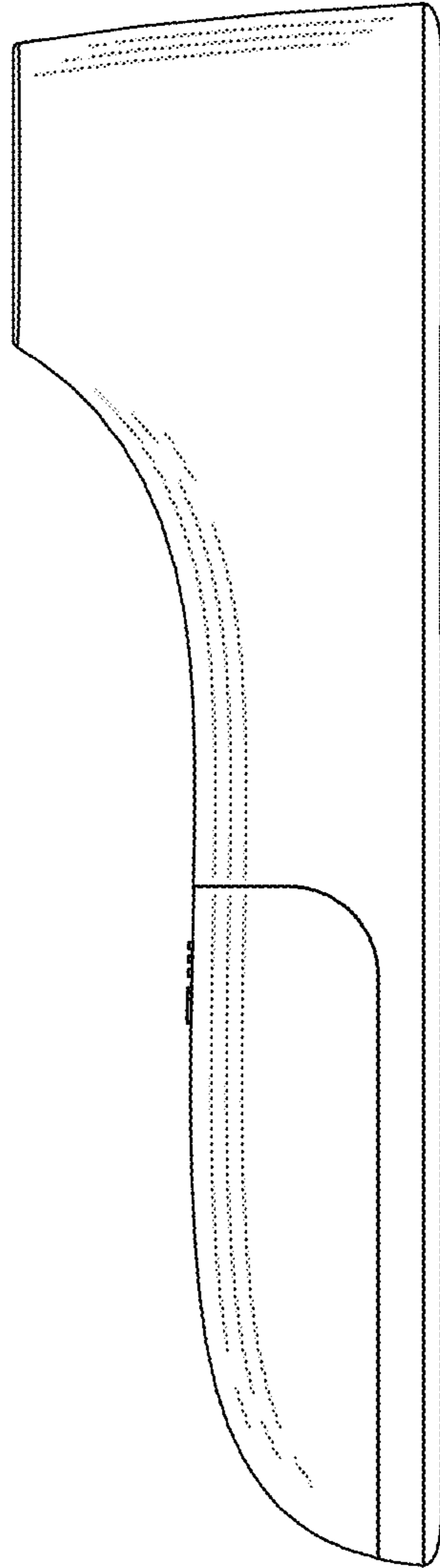


FIG.5

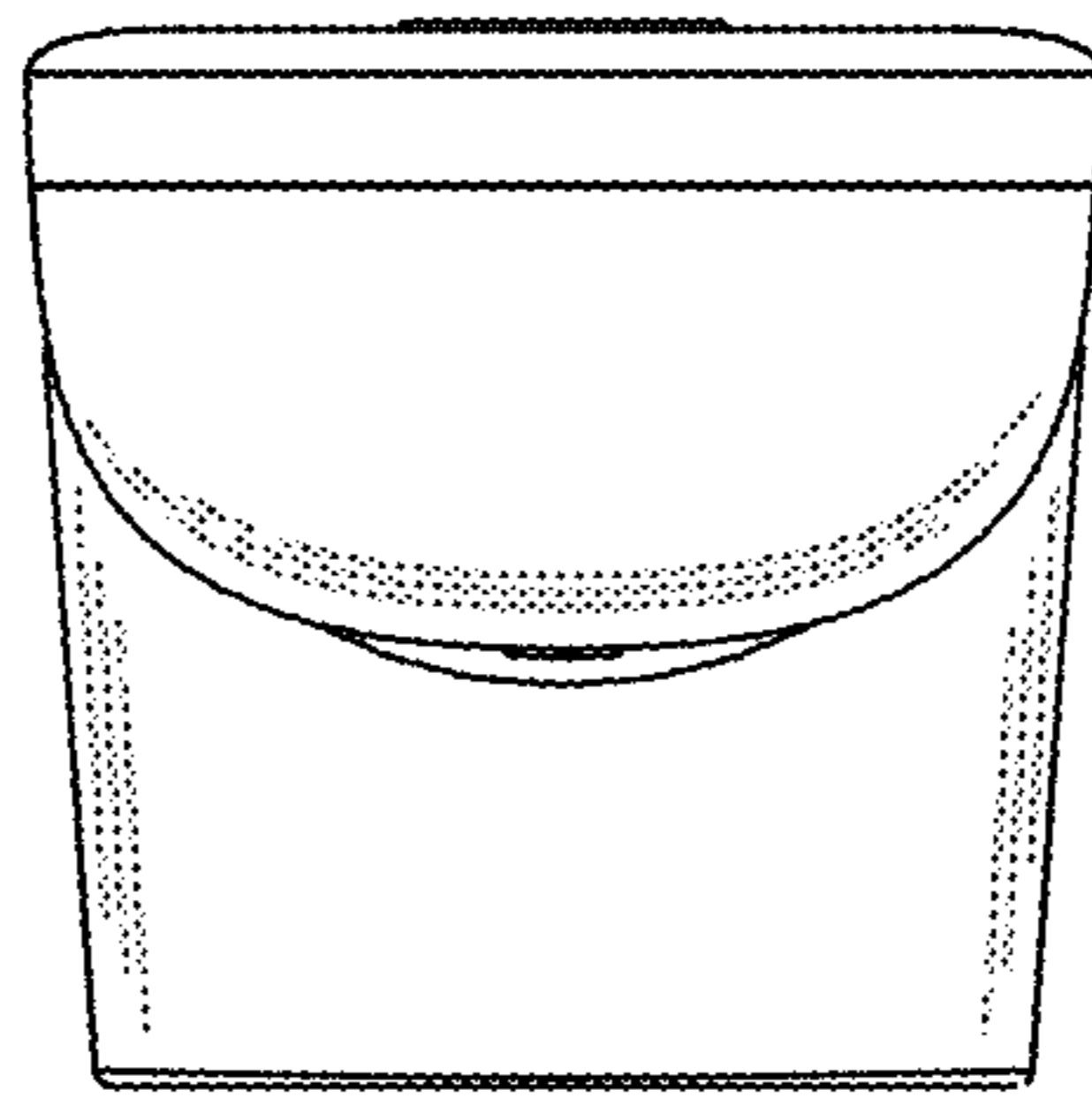


FIG.6

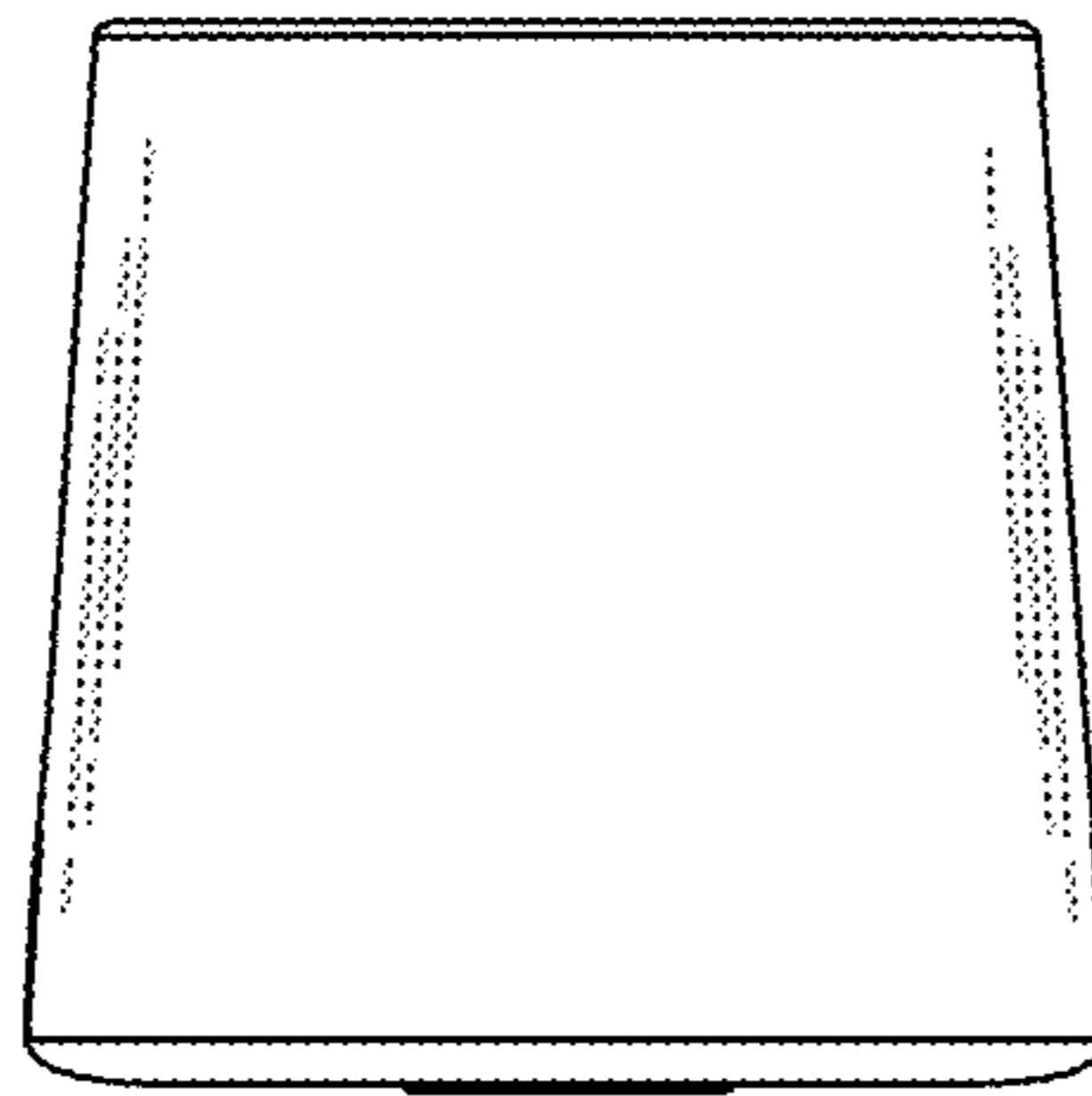


FIG.7

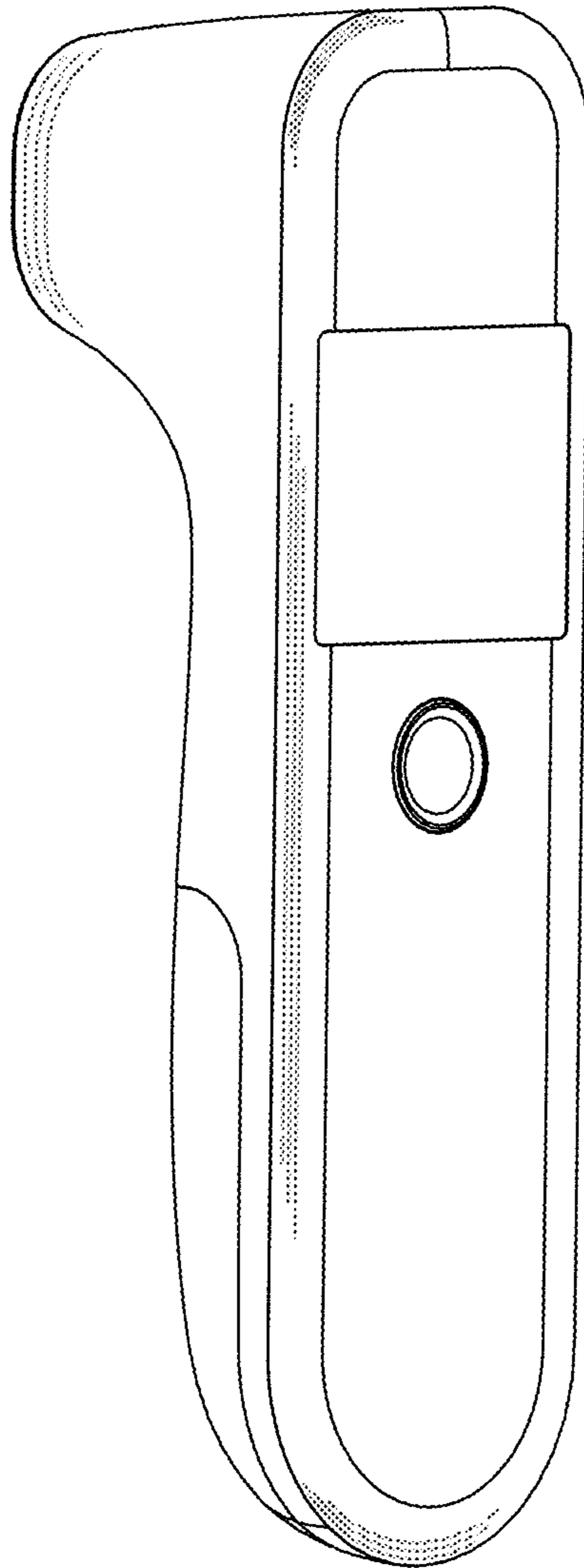


FIG.8