



US00D961414S

(12) **United States Design Patent** (10) **Patent No.:** **US D961,414 S**  
**Cong** (45) **Date of Patent:** **\*\* Aug. 23, 2022**

(54) **EAR THERMOMETER**  
(71) Applicant: **ANDON HEALTH CO., LTD.**, Tianjin (CN)  
(72) Inventor: **Ming Cong**, Tianjin (CN)  
(73) Assignee: **ANDON HEALTH CO., LTD.**, Tianjin (CN)

(\*\*) Term: **15 Years**

(21) Appl. No.: **29/758,392**

(22) Filed: **Nov. 14, 2020**

(30) **Foreign Application Priority Data**  
May 14, 2020 (CN) ..... 202030220409.0

(51) **LOC (13) Cl.** ..... **10-04**  
(52) **U.S. Cl.**  
USPC ..... **D10/57**

(58) **Field of Classification Search**  
USPC ..... D10/57, 60  
CPC ..... G01J 5/0011; G01J 5/0025; G01J 5/0265;  
G01J 5/04; A61B 5/01; A61B 5/6817;  
G01K 13/20  
See application file for complete search history.

(56) **References Cited**  
**U.S. PATENT DOCUMENTS**  
D388,343 S \* 12/1997 Yamauchi ..... D10/57  
D445,699 S \* 7/2001 Lin ..... D10/57  
D488,395 S \* 4/2004 Vu ..... D10/57  
D676,770 S \* 2/2013 Lacotta ..... D10/57  
D804,332 S \* 12/2017 Lim ..... D10/57  
D843,242 S \* 3/2019 Wang ..... D10/57  
D871,239 S \* 12/2019 Liang ..... D10/57  
D881,041 S \* 4/2020 Luo ..... D10/57  
D913,817 S \* 3/2021 Cao ..... D10/57  
D916,603 S \* 4/2021 Lim ..... D10/57

D919,456 S \* 5/2021 Yin ..... D10/57  
D924,081 S \* 7/2021 Li ..... D10/57  
D926,603 S \* 8/2021 Wang ..... D10/57  
D926,604 S \* 8/2021 Wang ..... D10/57  
D927,331 S \* 8/2021 Lim ..... D10/57  
D932,323 S \* 10/2021 Dai ..... D10/57  
D949,028 S \* 4/2022 Chen ..... D10/57  
2005/0080354 A1\* 4/2005 Crossley ..... A61B 1/2275  
600/549  
2020/0109993 A1\* 4/2020 Lin ..... G01J 5/049  
2021/0108965 A1\* 4/2021 Wang ..... G01J 5/064

**FOREIGN PATENT DOCUMENTS**

CN 305218295 \* 6/2019  
GB 6059171 \* 4/2019

\* cited by examiner

*Primary Examiner* — George D. Kirschbaum  
*Assistant Examiner* — Lillian Windham  
(74) *Attorney, Agent, or Firm* — Dragon Sun Law Firm, PC; Jinggao Li, Esq.; Nathaniel Perkins

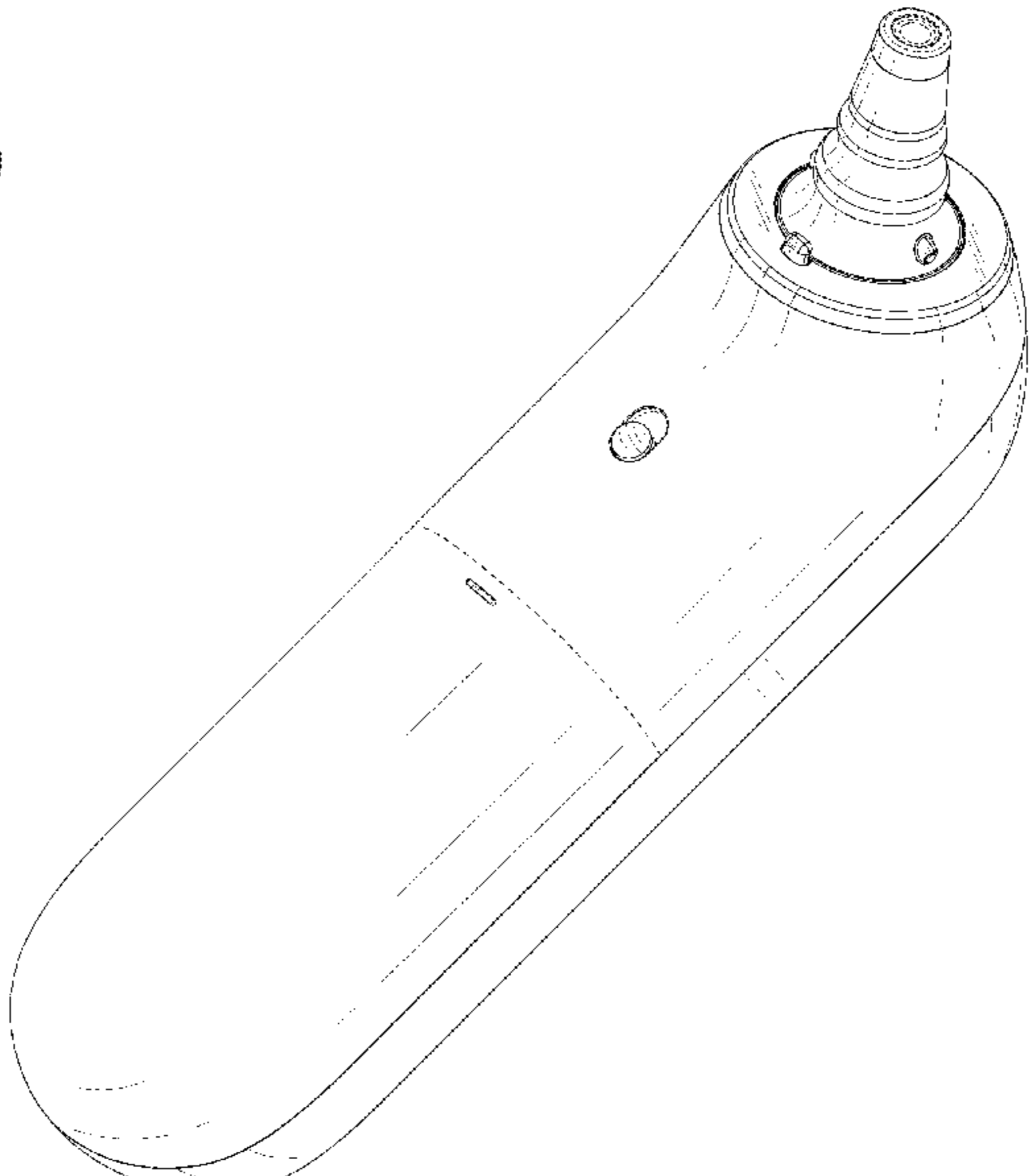
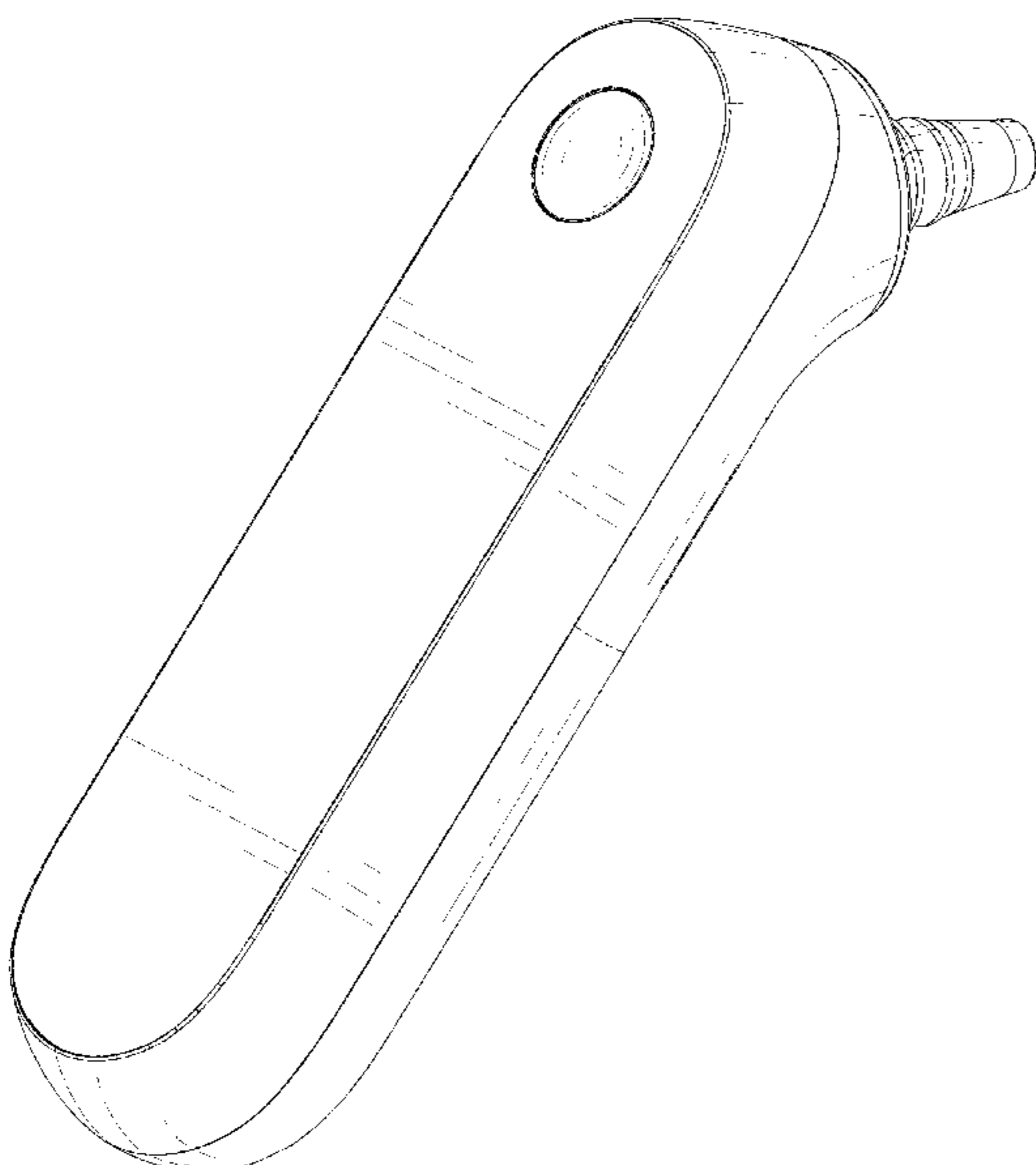
(57) **CLAIM**

The ornamental design for an ear thermometer, as shown and described.

**DESCRIPTION**

FIG. 1 is a perspective view of an ear thermometer showing my new design;  
FIG. 2 is another perspective view thereof;  
FIG. 3 is a front view thereof;  
FIG. 4 is a rear view thereof;  
FIG. 5 is a left view thereof;  
FIG. 6 is a right view thereof;  
FIG. 7 is a top view thereof; and,  
FIG. 8 is a bottom view thereof.  
The broken lines shown in the figures depict portions of the ear thermometer that form no part of the claimed design.

**1 Claim, 7 Drawing Sheets**



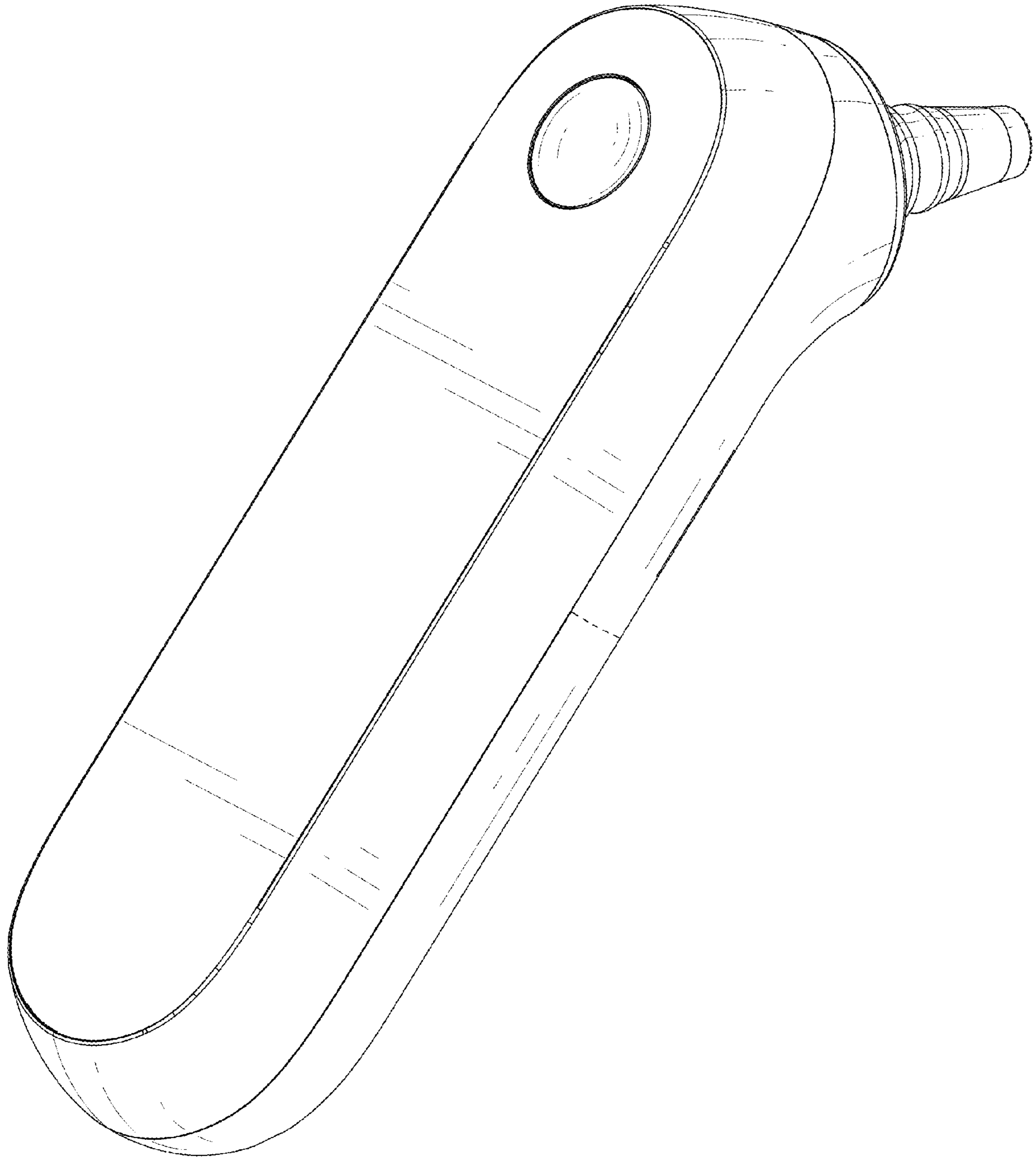


FIG. 1

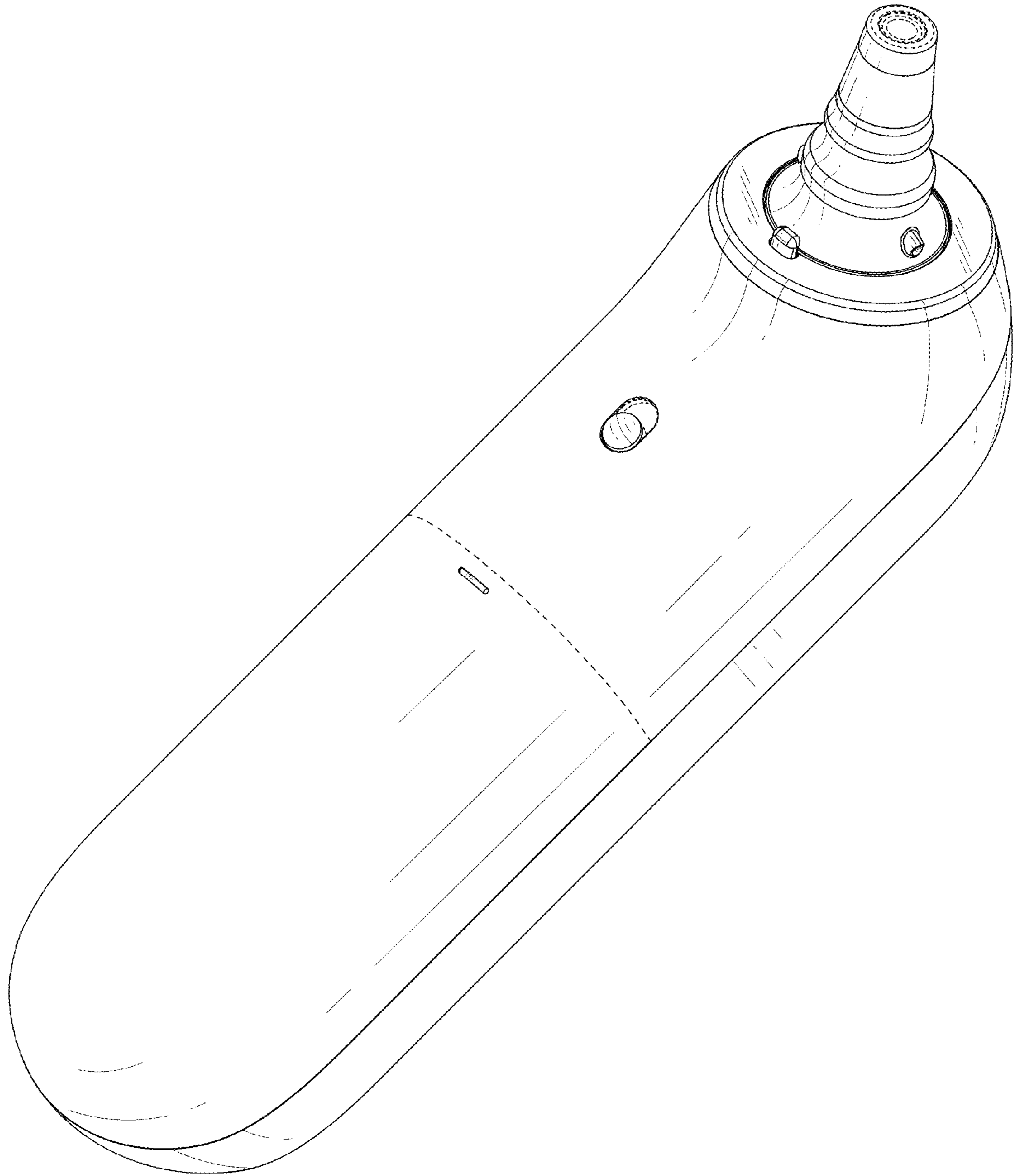


FIG.2

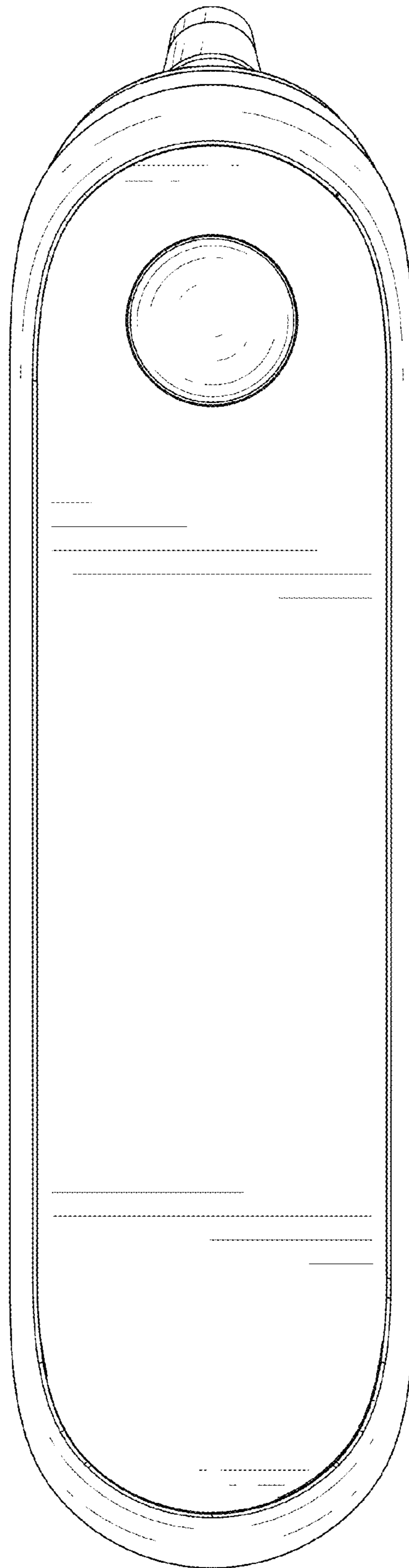


FIG.3

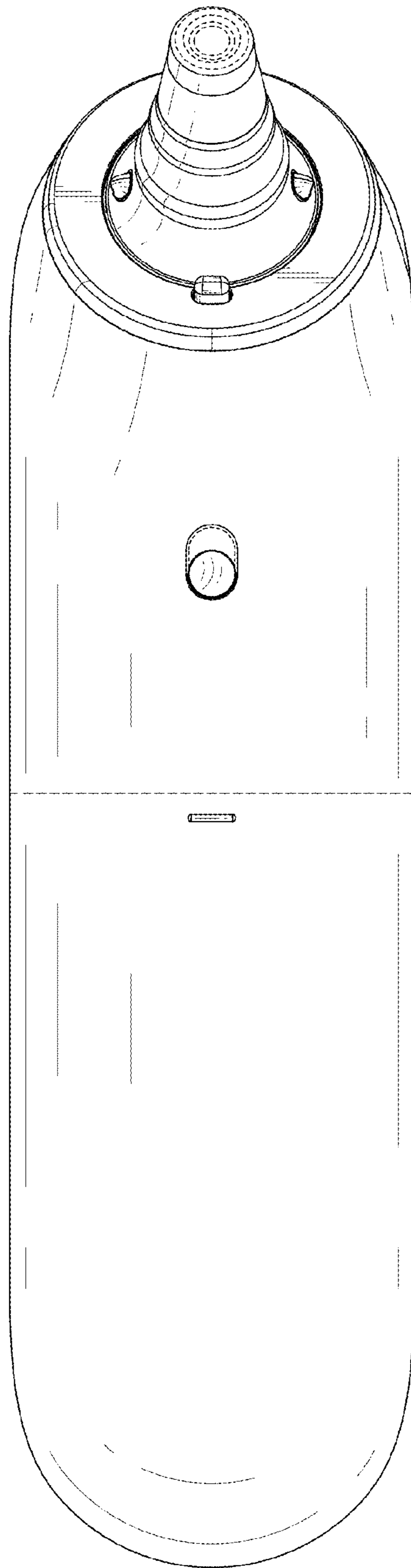


FIG.4

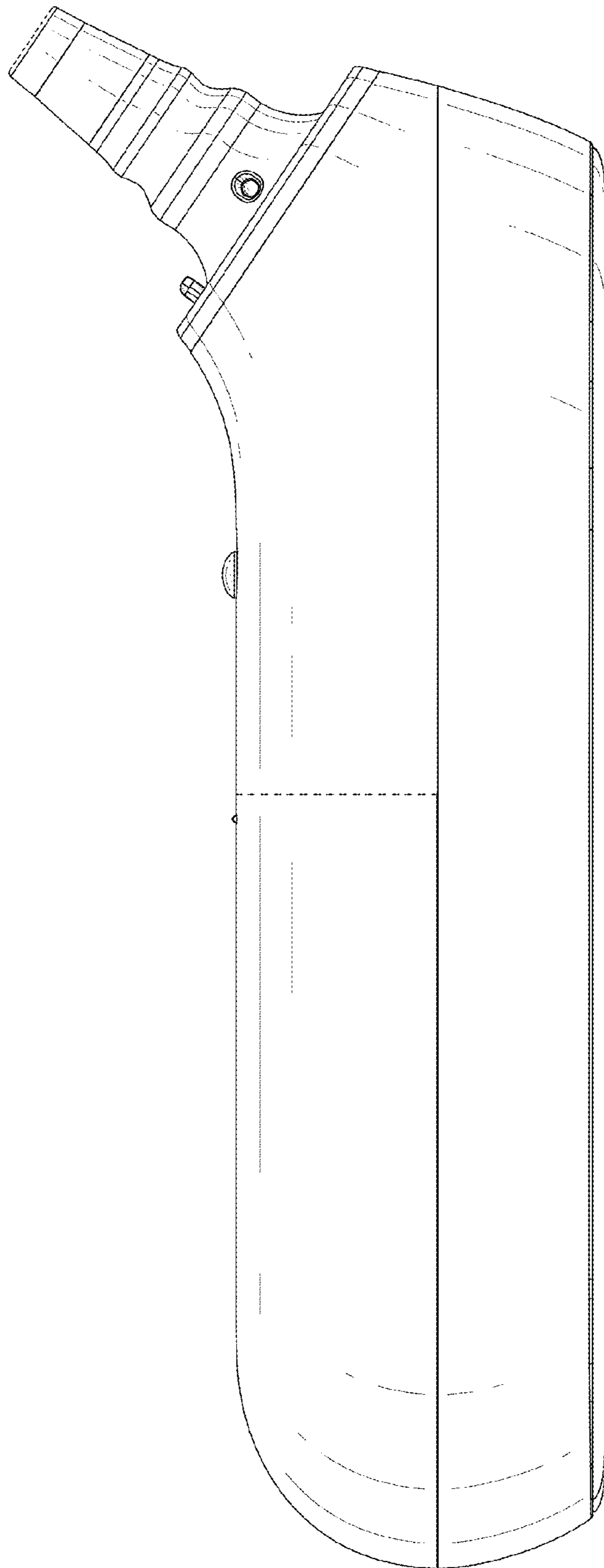


FIG. 5

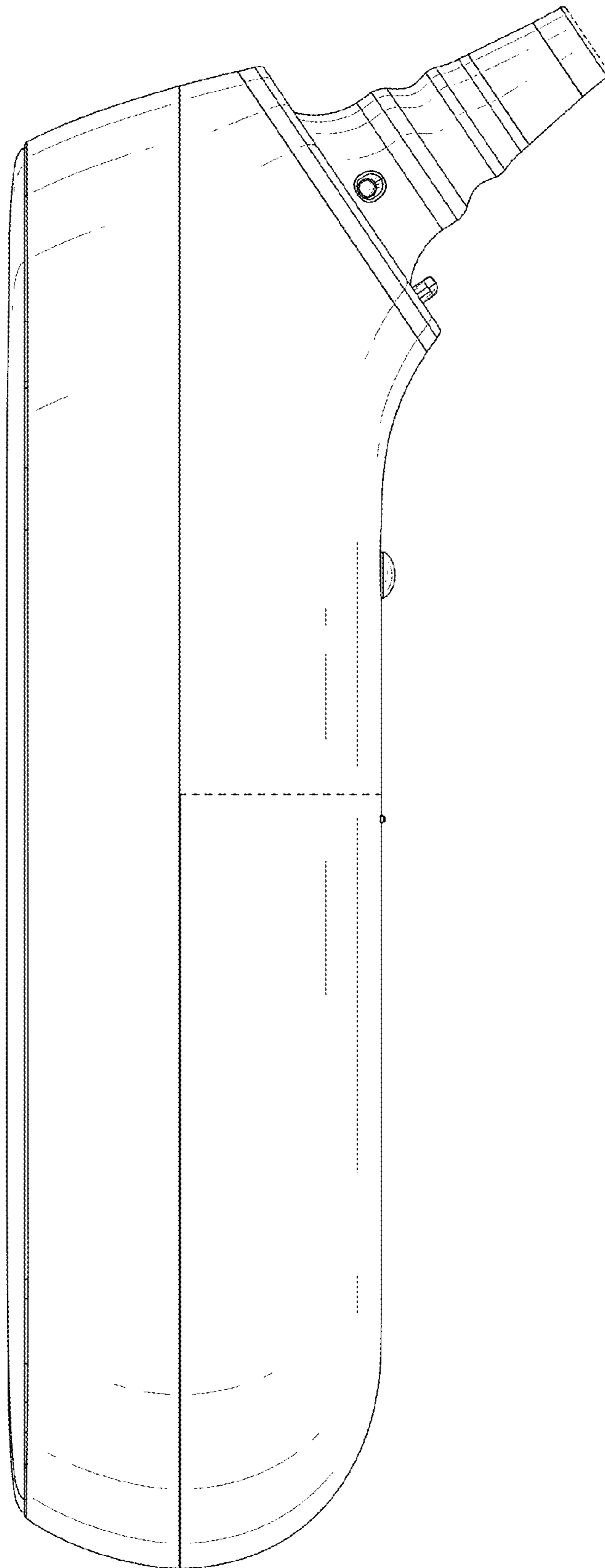


FIG. 6

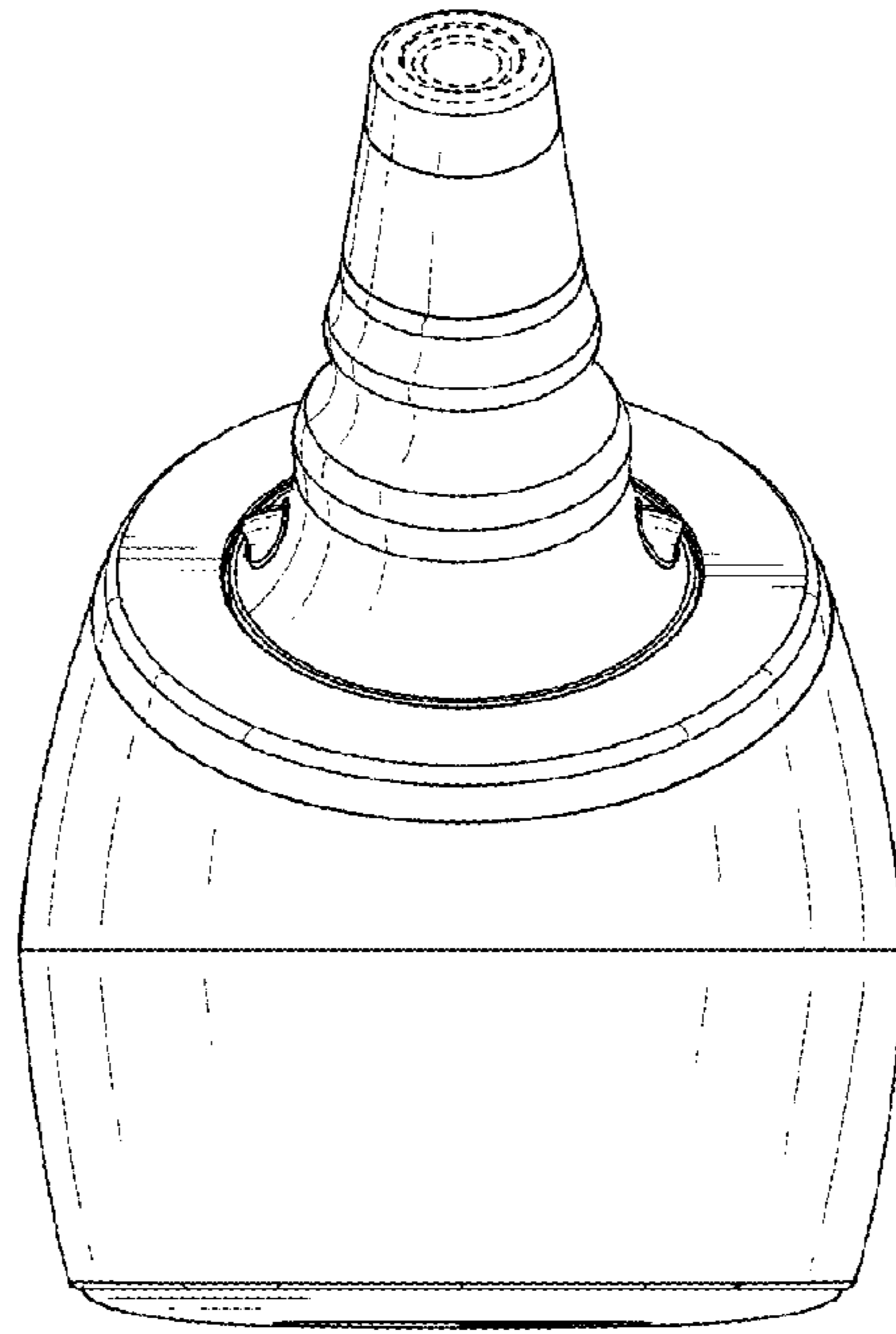


FIG. 7

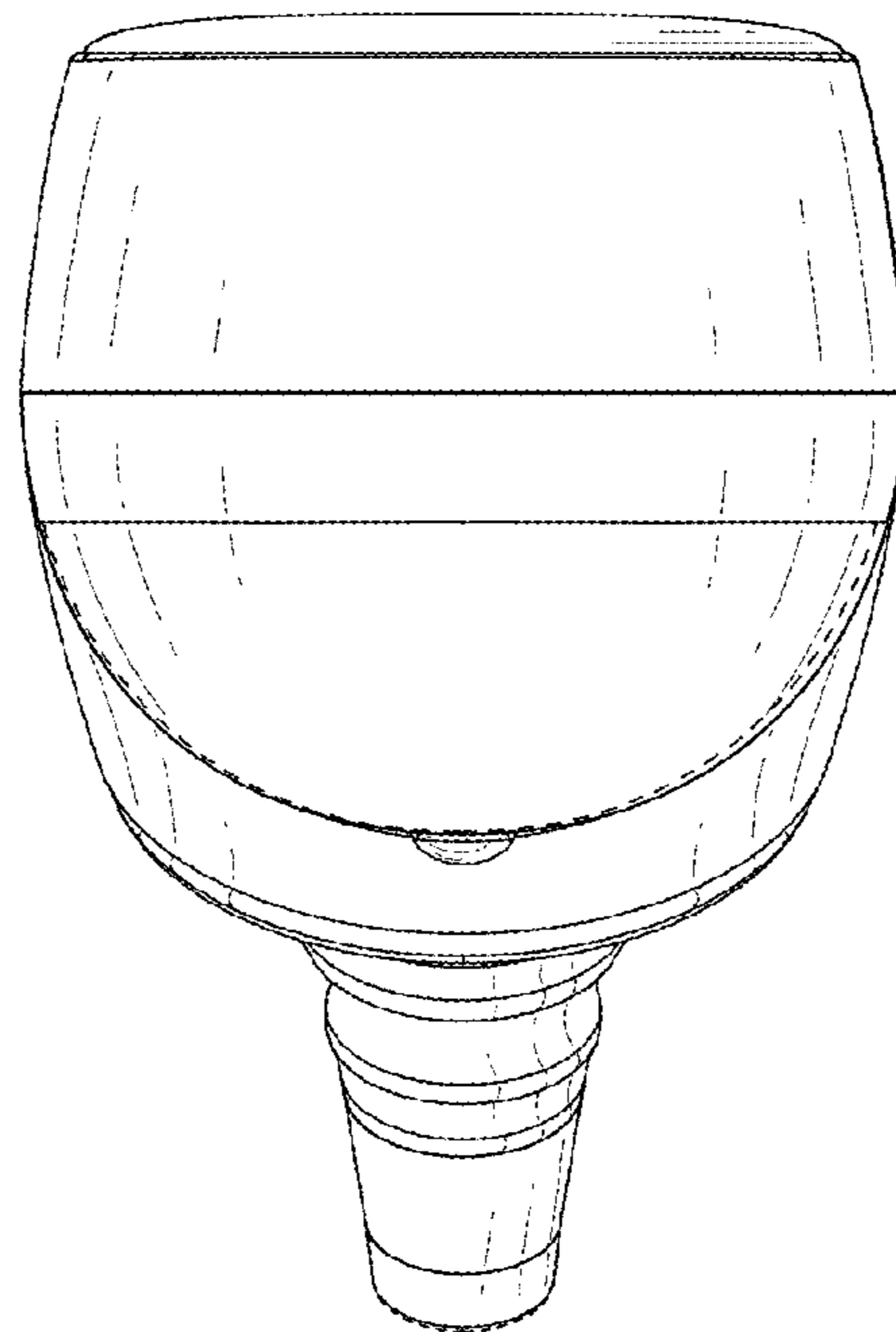


FIG. 8