



US00D961406S

(12) **United States Design Patent**
Bridges et al.

(10) **Patent No.:** **US D961,406 S**

(45) **Date of Patent:** **** Aug. 23, 2022**

(54) **BLISTER PACK**

(71) Applicant: **Gilead Sciences, Inc.**, Foster City, CA (US)

(72) Inventors: **Robert Bridges**, San Mateo, CA (US); **Joseph Cordova**, Foster City, CA (US); **Trevor Zimmermann**, Foster City, CA (US); **Caricia Catalani**, San Francisco, CA (US); **Kangil Cheon**, San Francisco, CA (US); **Hortense Caroline Agnes Desodt**, New Smyrna Beach, FL (US); **Jesse Arnold Fourt**, Menlo Park, CA (US); **Brittany Jeannette Margot**, Menlo Park, CA (US)

(73) Assignee: **GILEAD SCIENCES, INC.**, Foster City, CA (US)

(**) Term: **15 Years**

(21) Appl. No.: **29/782,458**

(22) Filed: **May 6, 2021**

Related U.S. Application Data

(63) Continuation of application No. 29/762,026, filed on Dec. 14, 2020.

(51) **LOC (13) Cl.** **09-01**

(52) **U.S. Cl.**
USPC **D9/732**

(58) **Field of Classification Search**
USPC D9/414, 415, 424, 456, 732, 737, 756, D9/759, 761; D24/227, 229, 230
CPC B65D 75/327; B65D 2585/56; B65D 75/367; B65D 75/32; B65D 2575/3227; B65D 83/0445; B65D 2575/367; B65D 2575/3245; B65D 83/04; B65D 75/22; B65D 75/5855; B65D 75/323; B65D 2543/00296; B65D 5/4204; B65D 25/04; B65D 75/52; B65D 75/585; B65D 73/0035; B65D 73/0085; B65D 75/58; B65D

(Continued)

(56) **References Cited**

U.S. PATENT DOCUMENTS

5,310,060 A * 5/1994 Bitner B65D 75/327
206/532
5,785,180 A * 7/1998 Dressel B65D 75/327
206/532

(Continued)

FOREIGN PATENT DOCUMENTS

EM 000646492-0001 1/2007
EM 000666177-0001 2/2007

(Continued)

Primary Examiner — Lauren R Calve

(74) *Attorney, Agent, or Firm* — McAndrews Held & Malloy, Ltd.

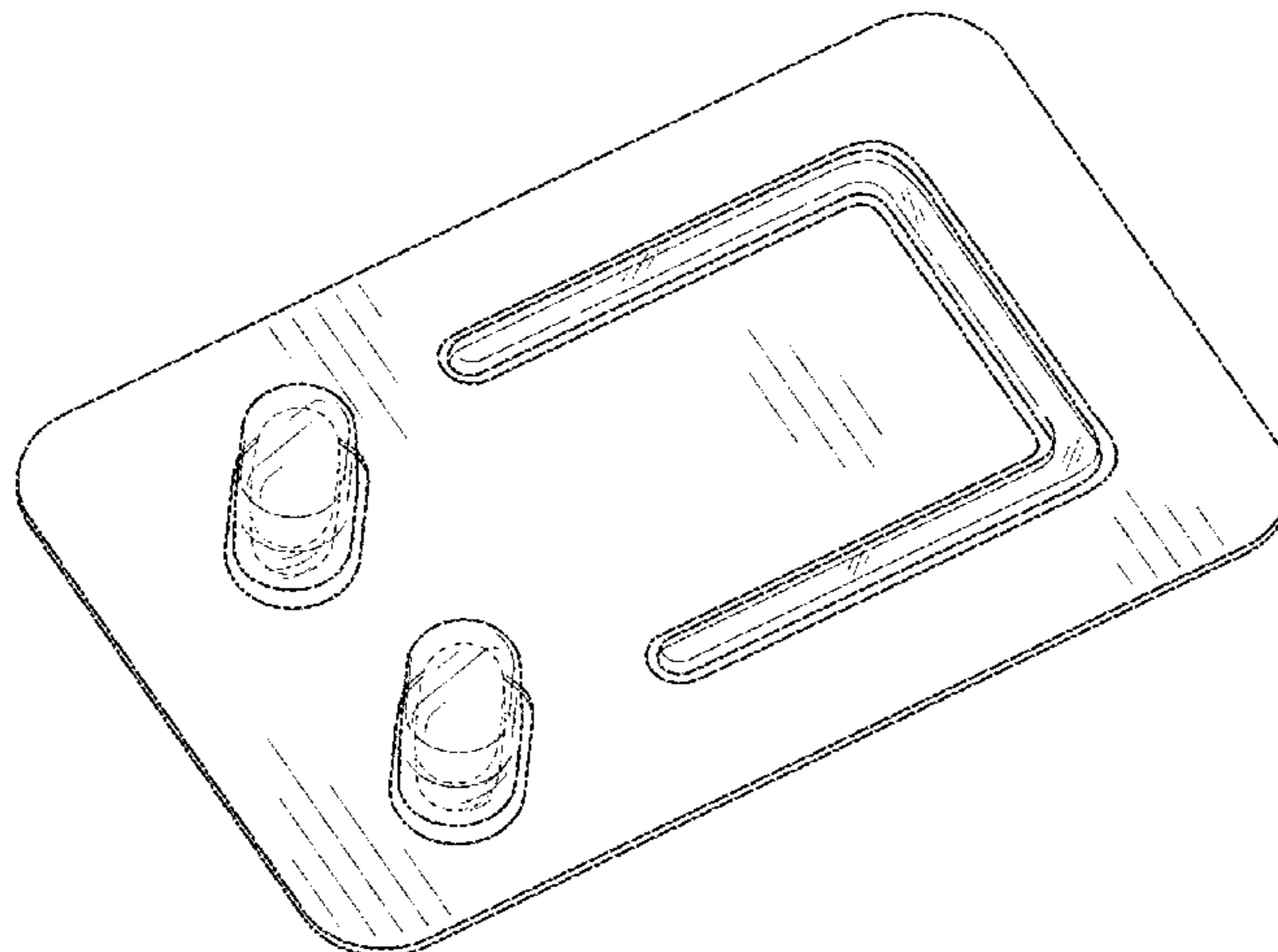
(57) **CLAIM**

The ornamental design for a blister pack, as shown and described.

DESCRIPTION

FIG. 1 is a front perspective view of a blister pack showing our new design;
FIG. 2 is a front elevation view thereof;
FIG. 3 is a rear elevation view thereof;
FIG. 4 is a right side elevation view thereof;
FIG. 5 is a left side elevation view thereof;
FIG. 6 is a top plan view thereof; and,
FIG. 7 is a bottom plan view thereof.
The thicker dashed broken lines in the rear view in FIG. 3 illustrate perforations that form part of the claimed design. The remaining dashed broken lines in the figures illustrate portions of the blister pack that form no part of the claimed design.

1 Claim, 3 Drawing Sheets



(58) **Field of Classification Search**

CPC 2543/00194; B65D 1/36; B65D 73/0078;
 B65D 2543/00805; B65D 73/0042; B65D
 75/225; B65D 77/30; B65D 2543/00092;
 B65D 75/522; B65D 1/0223

See application file for complete search history.

D761,126 S	7/2016	Taylor	
D770,303 S	11/2016	Gelbaum	
D828,767 S	9/2018	von Badinski et al.	
D844,428 S	4/2019	Stadelmaier et al.	
D874,944 S	2/2020	Schmidt et al.	
D882,413 S *	4/2020	Kuwa	D9/732
D886,638 S *	6/2020	Bhalla	D9/737
2007/0056876 A1 *	3/2007	Jones	B65D 75/327 206/538
2012/0199509 A1 *	8/2012	McKiel, Jr.	A61J 1/035 206/467
2020/0130911 A1 *	4/2020	Bhalla	B65D 75/327

(56) **References Cited**

U.S. PATENT DOCUMENTS

D548,618 S	8/2007	Ferguson et al.	
D594,753 S	6/2009	Eadicicco et al.	
D607,749 S	1/2010	Freeland et al.	
D607,750 S	1/2010	Freeland et al.	
D607,752 S	1/2010	Freeland et al.	
7,690,511 B2 *	4/2010	Arnold	B65D 75/327 206/532
D631,757 S	2/2011	Kerr et al.	
D655,622 S	3/2012	Sadler et al.	
D655,625 S	3/2012	Mehren et al.	
D658,991 S	5/2012	Schmitz et al.	
D688,570 S	8/2013	Logue	
D691,465 S	10/2013	O'Brien et al.	
D695,134 S	12/2013	Priebe et al.	
D695,633 S	12/2013	Priebe et al.	
D701,127 S	3/2014	Cragnolini	

FOREIGN PATENT DOCUMENTS

EM	000720404-0003	5/2007
EM	000720404-0005	5/2007
EM	001040109-0015	11/2008
EM	001040109-0016	11/2008
EM	001040109-0017	11/2008
EM	001174346-0001	10/2009
EM	002220343-0002	4/2013
EM	002844464-0001	2/2015
EM	005841962-0002	3/2018
EM	005841962-0006	3/2018
EM	005841962-0010	3/2018
EM	005227550-0001	9/2018

* cited by examiner

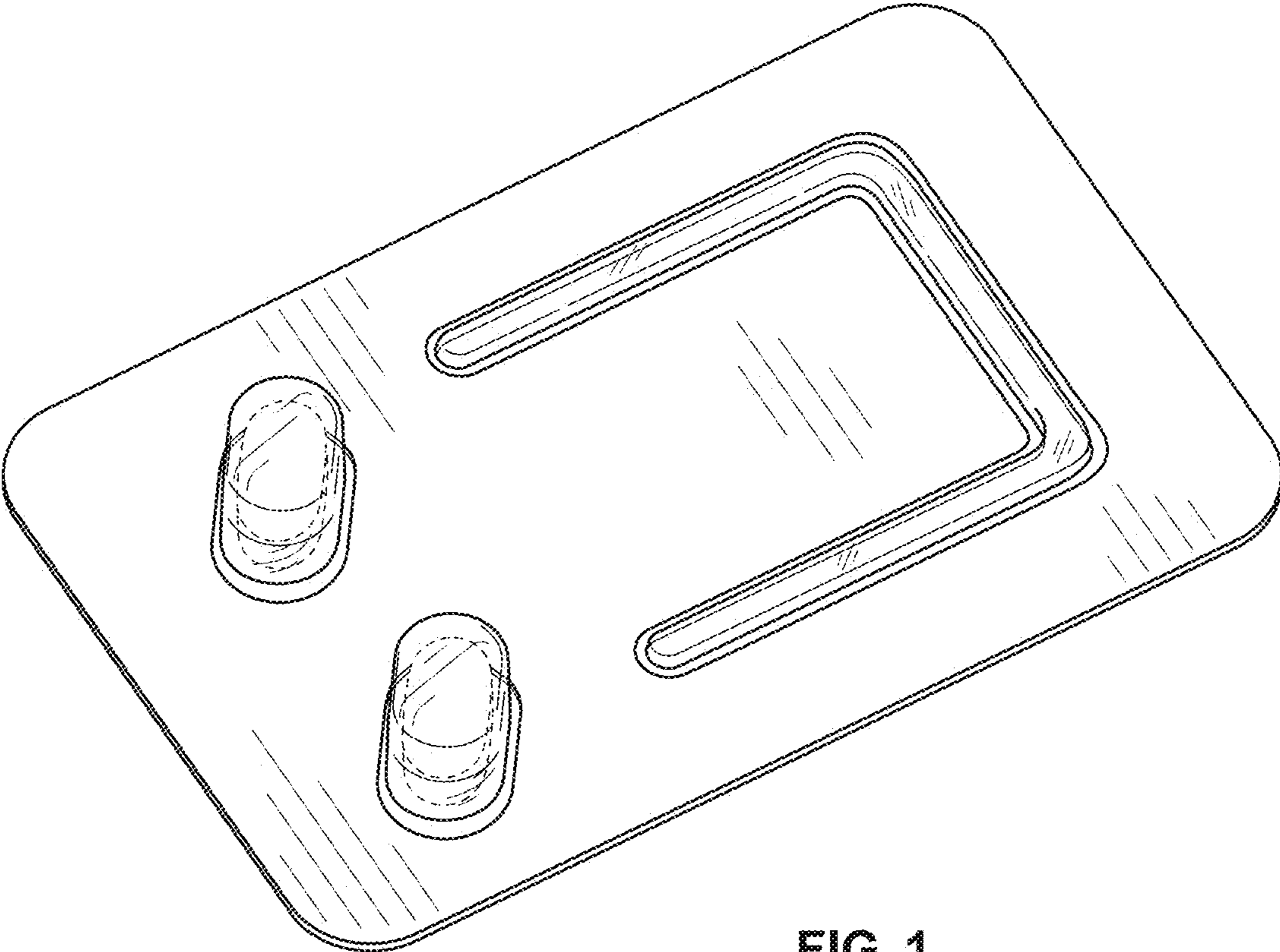


FIG. 1

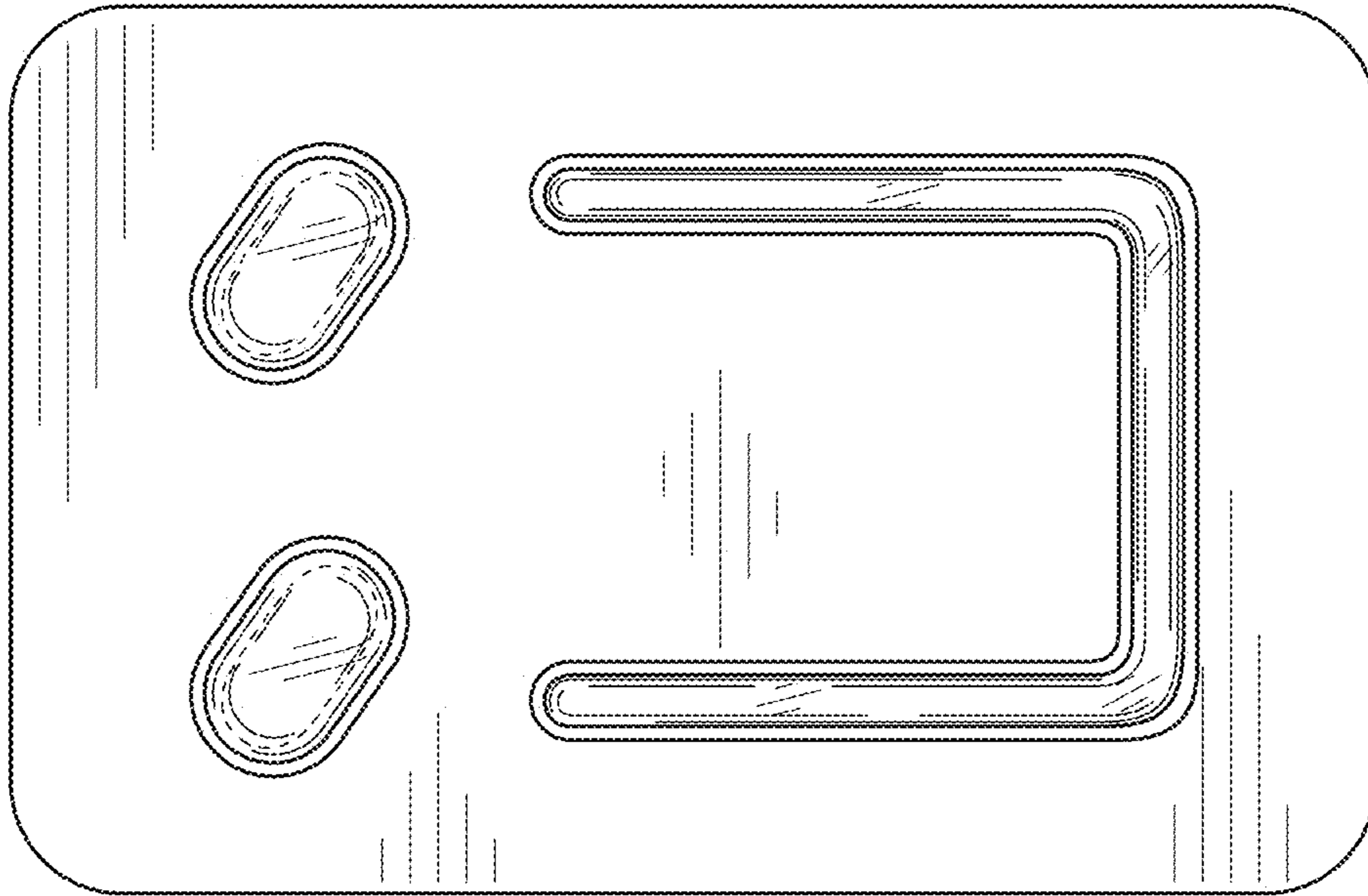


FIG. 2

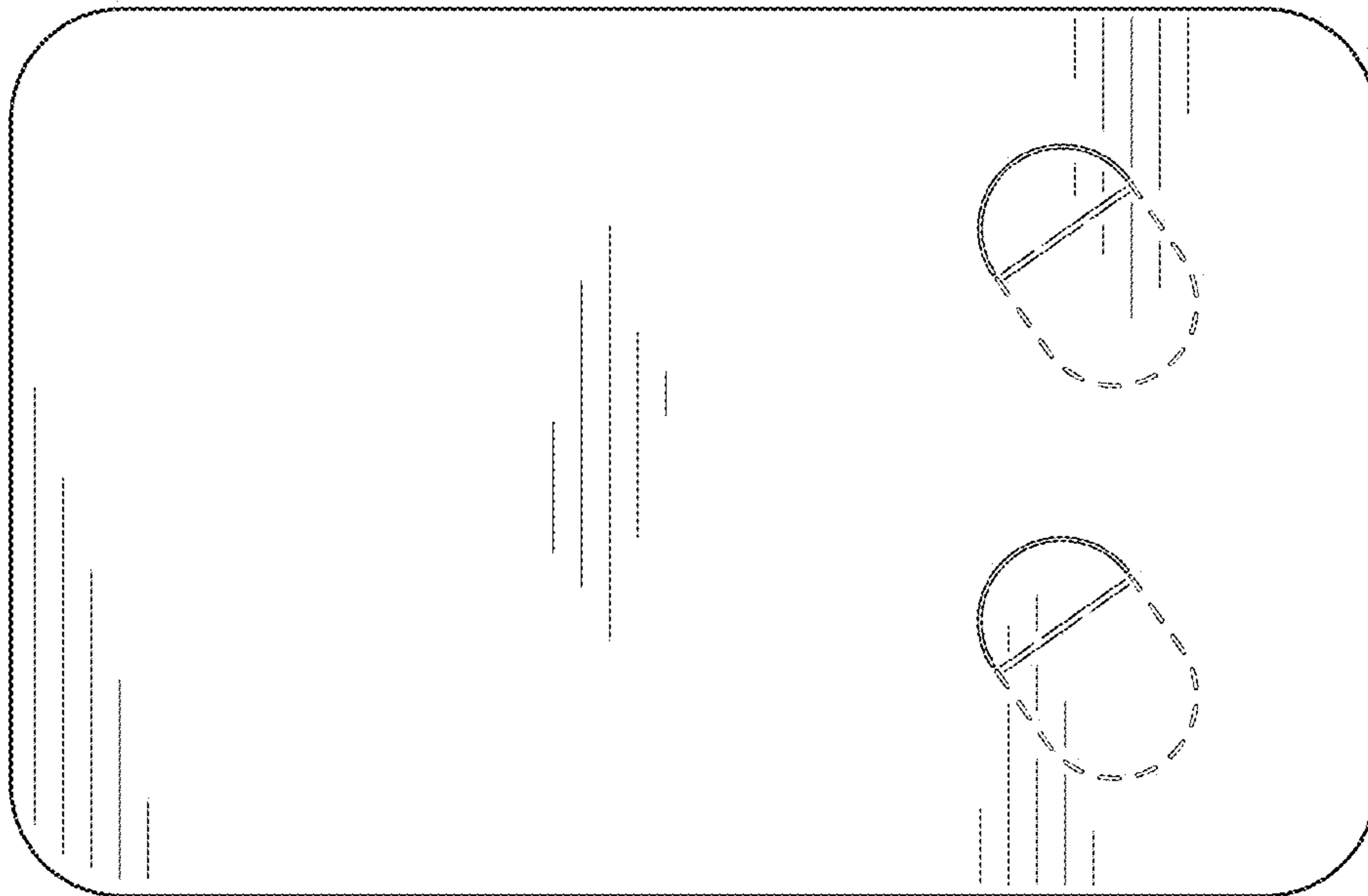


FIG. 3



FIG. 4

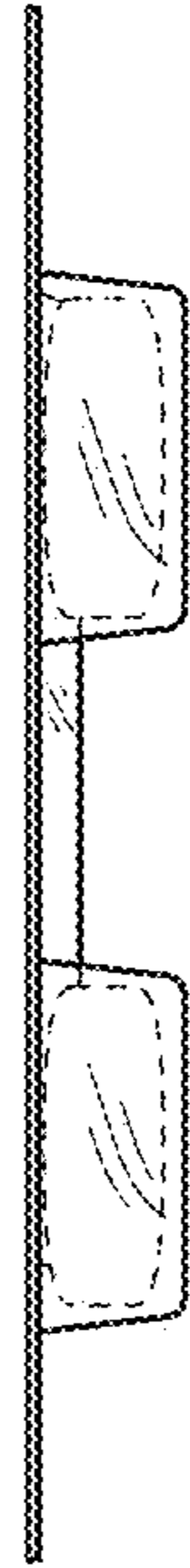


FIG. 5



FIG. 6



FIG. 7