



US00D961403S

(12) **United States Design Patent** (10) **Patent No.:** **US D961,403 S**  
**Díaz Mecchia et al.** (45) **Date of Patent:** **\*\* Aug. 23, 2022**

(54) **SPRAYER**

A45D 2200/055; A45D 2200/056; A45D 2200/057; A45D 2200/1018; A45D 2200/1063; B65D 83/14;

(71) Applicant: **BRILL ENGINES, S.L.**, Barcelona (ES)

(Continued)

(72) Inventors: **Eva Díaz Mecchia**, Barcelona (ES); **Laura Nieto Cavia**, Barcelona (ES)

(56) **References Cited**

(73) Assignee: **BRILL ENGINES, S.L.**, Barcelona (ES)

U.S. PATENT DOCUMENTS

(\*\*) Term: **15 Years**

D329,983 S \* 10/1992 Griffin ..... D9/504  
D337,254 S \* 7/1993 Nakagawa ..... D9/503

(Continued)

(21) Appl. No.: **29/755,069**

OTHER PUBLICATIONS

(22) Filed: **Oct. 16, 2020**

Belwares Olive Oil Dispenser Bottle, Dec. 3, 2016, amazon.ca, Apr. 13, 2022, URL: <https://www.amazon.ca/dp/B01EG5YU0U/> (Year: 2016).\*

(30) **Foreign Application Priority Data**

(Continued)

Apr. 17, 2020 (EM) ..... 007817127-0001

(51) **LOC (13) Cl.** ..... **09-01**

*Primary Examiner* — Jack Reickel

(52) **U.S. Cl.**

*Assistant Examiner* — Keith J Wilson

USPC ..... **D9/685**

(74) *Attorney, Agent, or Firm* — Sughrue Mion, PLLC

(58) **Field of Classification Search**

(57) **CLAIM**

USPC ..... D23/209, 213, 214, 215, 222, 223, 224, D23/225, 226, 229, 230; D28/56, 57, 59, D28/61, 76–77, 85, 91.1; D32/35, 45; D9/448, 529, 559, 561, 682–694, 715, D9/718–719, 723–729; D4/114, 116, D4/119, 199

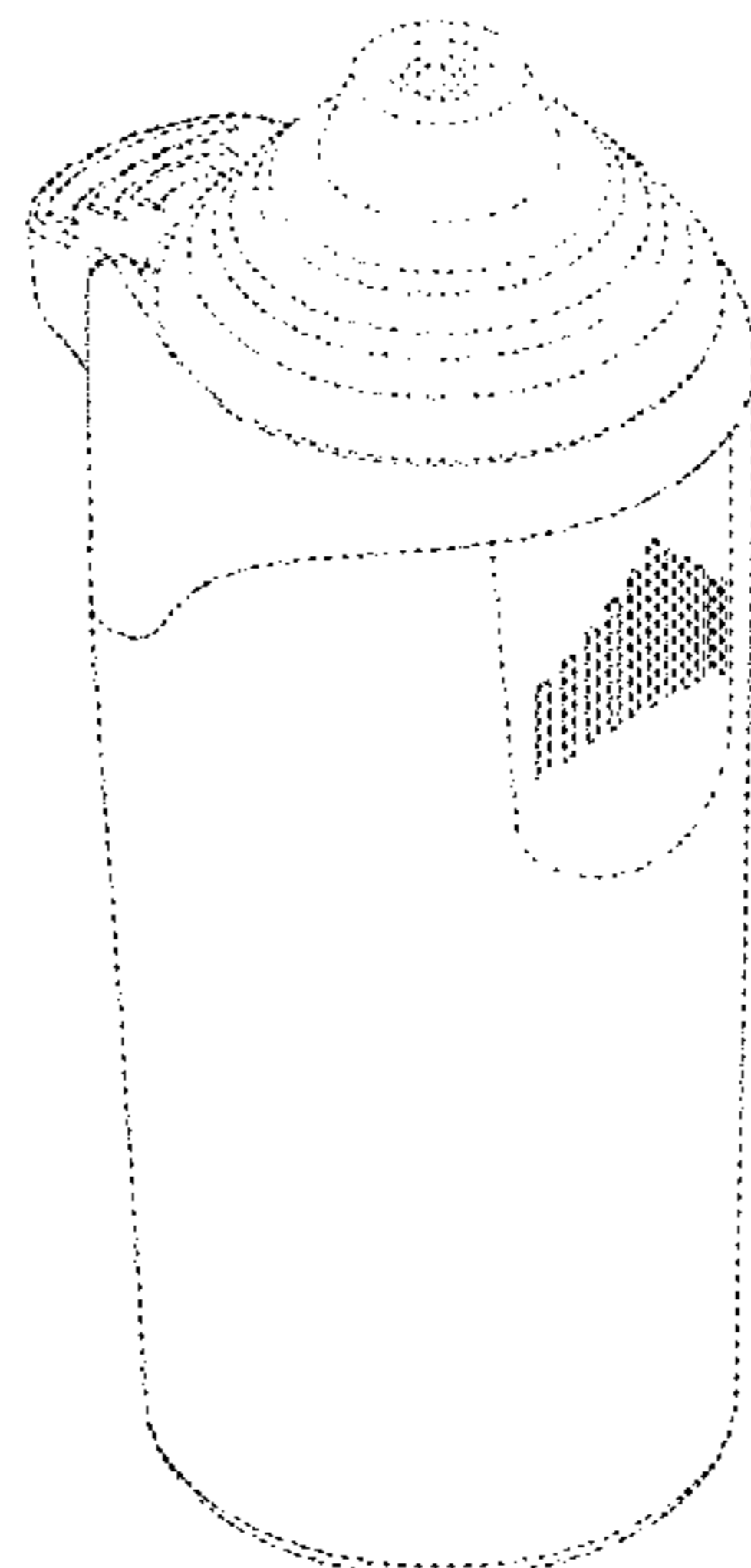
The ornamental design for a sprayer, as shown and described.

CPC ..... A61H 9/0021; A61H 33/00; B05B 1/00; B05B 1/14; B05B 1/185; B05B 1/08; B05B 1/02; B05B 1/26; B05B 12/002; B05B 1/18; B05B 9/01; B05B 11/00; B05B 11/0035; B05B 11/0037; B05B 11/0054; B05B 11/0059; B05B 11/0078; B05B 11/3052; A47L 13/26; A47L 13/51; A47L 1/08; A47L 23/05; A46B 11/00; A46B 11/002; A46B 11/0017; A46B 11/0055; A45D 29/007; A45D 29/11; A45D 29/12; A45D 29/17; A45D 29/18; A45D 34/00; A45D 34/02; A45D 34/04; A45D 34/06; A45D 34/042; A45D 34/046; A45D 2034/005; A45D 2034/007;

**DESCRIPTION**

FIG. 1 is a top-front perspective view of our sprayer; FIG. 2 is another a top-front perspective view thereof; FIG. 3 is a top-back perspective view thereof; FIG. 4 is another top-back perspective view thereof; FIG. 5 is a front view thereof; FIG. 6 is a back view thereof; FIG. 7 is a left-side view thereof; FIG. 8 is a right-side view thereof; FIG. 9 is a top view thereof; and, FIG. 10 is a bottom view thereof. The broken lines represent portions of a spraying device and form no part of the claimed design.

**1 Claim, 10 Drawing Sheets**



- (58) **Field of Classification Search**  
 CPC ..... B65D 83/16; B65D 83/20; B65D 83/285;  
 B65D 83/38; B65D 83/384; B65D 83/386  
 See application file for complete search history.

(56) **References Cited**

U.S. PATENT DOCUMENTS

D344,231 S \* 2/1994 Gagnon ..... D9/686  
 D384,881 S \* 10/1997 Uhl ..... D24/115  
 D414,683 S \* 10/1999 DeJong ..... D9/685  
 D477,384 S \* 7/2003 Williams ..... D23/225  
 D580,274 S \* 11/2008 Abel ..... D9/689  
 D634,204 S \* 3/2011 Llewellyn ..... D9/523  
 D643,092 S \* 8/2011 Bandawat ..... F24F 6/14  
 D23/225  
 D656,413 S \* 3/2012 Hayton ..... D9/730  
 D656,583 S \* 3/2012 Hudson, Jr. .... D23/225  
 D662,179 S \* 6/2012 Lin ..... D23/225  
 D664,236 S \* 7/2012 Hudson ..... D23/225  
 D669,365 S \* 10/2012 Hanai ..... D9/684  
 D671,004 S \* 11/2012 Kelly ..... B05B 11/0037  
 D9/558  
 D704,067 S \* 5/2014 Scott ..... D9/542  
 D705,067 S \* 5/2014 Dubitsky ..... D9/449  
 D736,563 S \* 8/2015 George ..... D7/510  
 D742,999 S \* 11/2015 Moya ..... D23/225  
 D743,001 S \* 11/2015 Moya ..... D23/225  
 D770,800 S \* 11/2016 Agarwal ..... D6/545  
 D795,645 S \* 8/2017 Peng ..... D9/503  
 D805,391 S \* 12/2017 Azelton ..... D9/543

D808,721 S \* 1/2018 Soni ..... D7/529  
 D809,097 S \* 1/2018 Bates ..... D23/225  
 D811,237 S \* 2/2018 Azelton ..... D9/686  
 D811,893 S \* 3/2018 Bandawat ..... D9/682  
 D814,609 S \* 4/2018 Walton ..... D23/225  
 10,071,399 B2 \* 9/2018 Perlas ..... B08B 3/10  
 D830,507 S \* 10/2018 Kanenari ..... D23/225  
 D837,936 S \* 1/2019 D'Ambrosia ..... D23/225  
 10,315,835 B2 \* 6/2019 Jack ..... B05B 1/02  
 D854,378 S \* 7/2019 Breit ..... D7/529  
 D881,342 S \* 4/2020 Chou ..... D23/225  
 D884,833 S \* 5/2020 Bates ..... D23/225  
 D885,839 S \* 6/2020 Egorov ..... D7/511  
 D918,340 S \* 5/2021 Zheng ..... D23/225  
 D918,341 S \* 5/2021 Wang ..... D23/225  
 D941,093 S \* 1/2022 Xu ..... D30/129  
 2005/0029265 A1 \* 2/2005 Morgan ..... A47G 19/2288  
 220/254.9  
 2012/0097714 A1 \* 4/2012 Hoefte ..... G01F 11/265  
 222/477  
 2019/0105669 A1 \* 4/2019 Mikse ..... B05B 1/205

OTHER PUBLICATIONS

Erivibor Oil Dispenser Bottle, Sep. 21, 2020, amazon.ca, Apr. 13, 2022, URL: <https://www.amazon.ca/dp/B08HXSZYBC2/> (Year: 2020).\*  
 OXO Easy Press Stainless Steel Soap Dispenser, Nov. 15, 2014, amazon.ca, Apr. 13, 2022, URL: <https://www.amazon.ca/Easy-Press-Stainless-Steel-Dispenser/dp/B00N1IA1U2/> (Year: 2014).\*

\* cited by examiner

Fig. 1

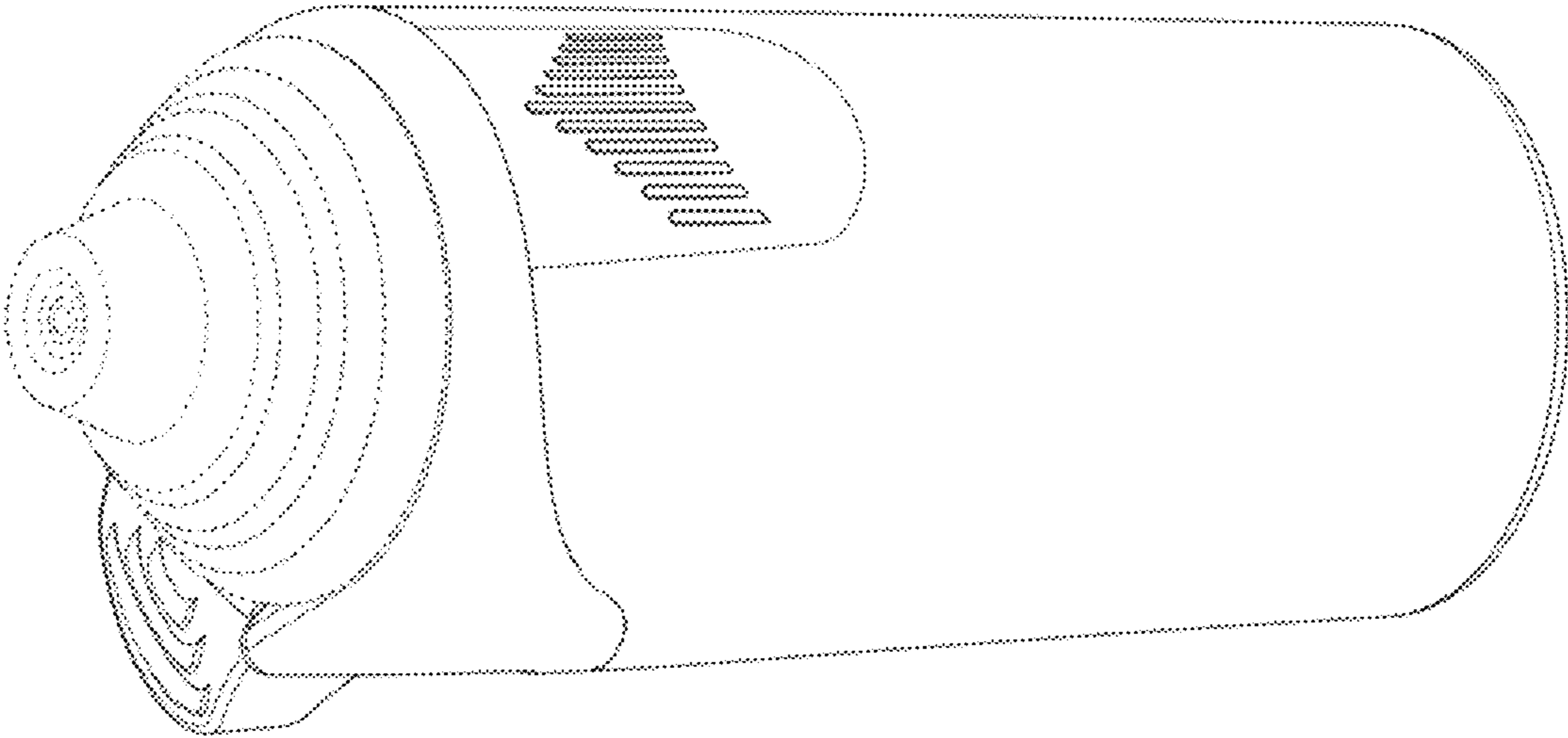


Fig. 2

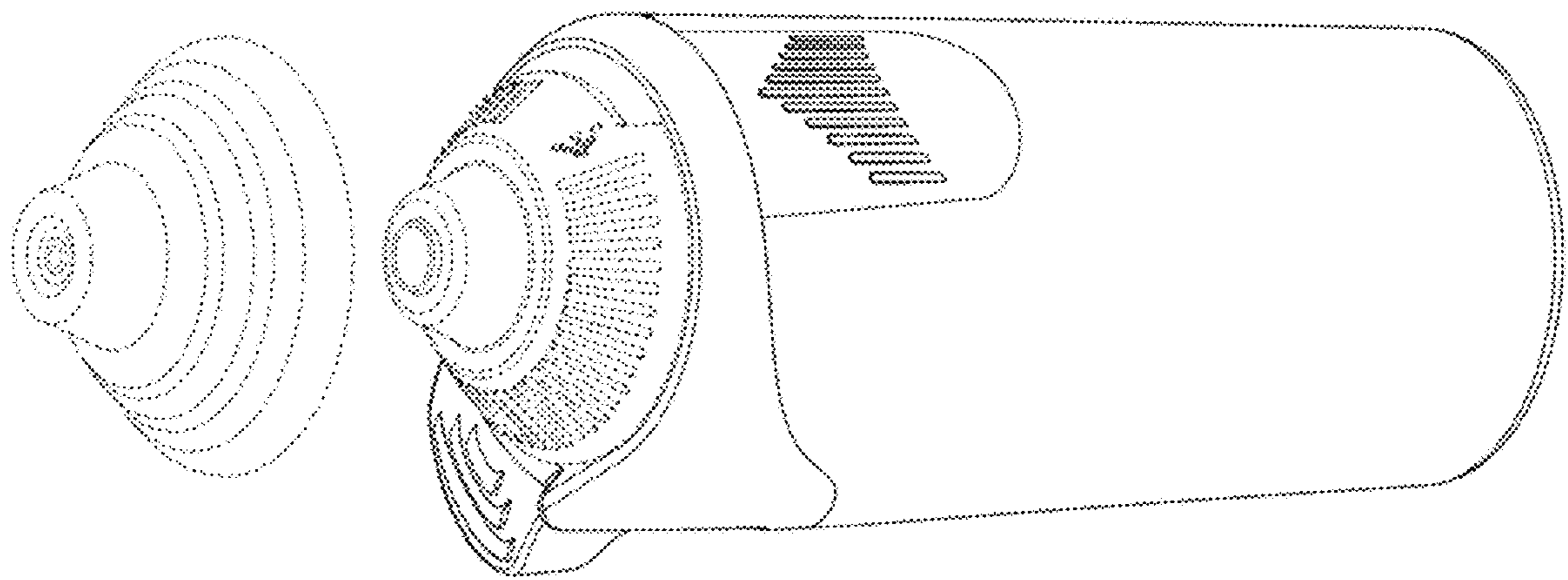


Fig. 3

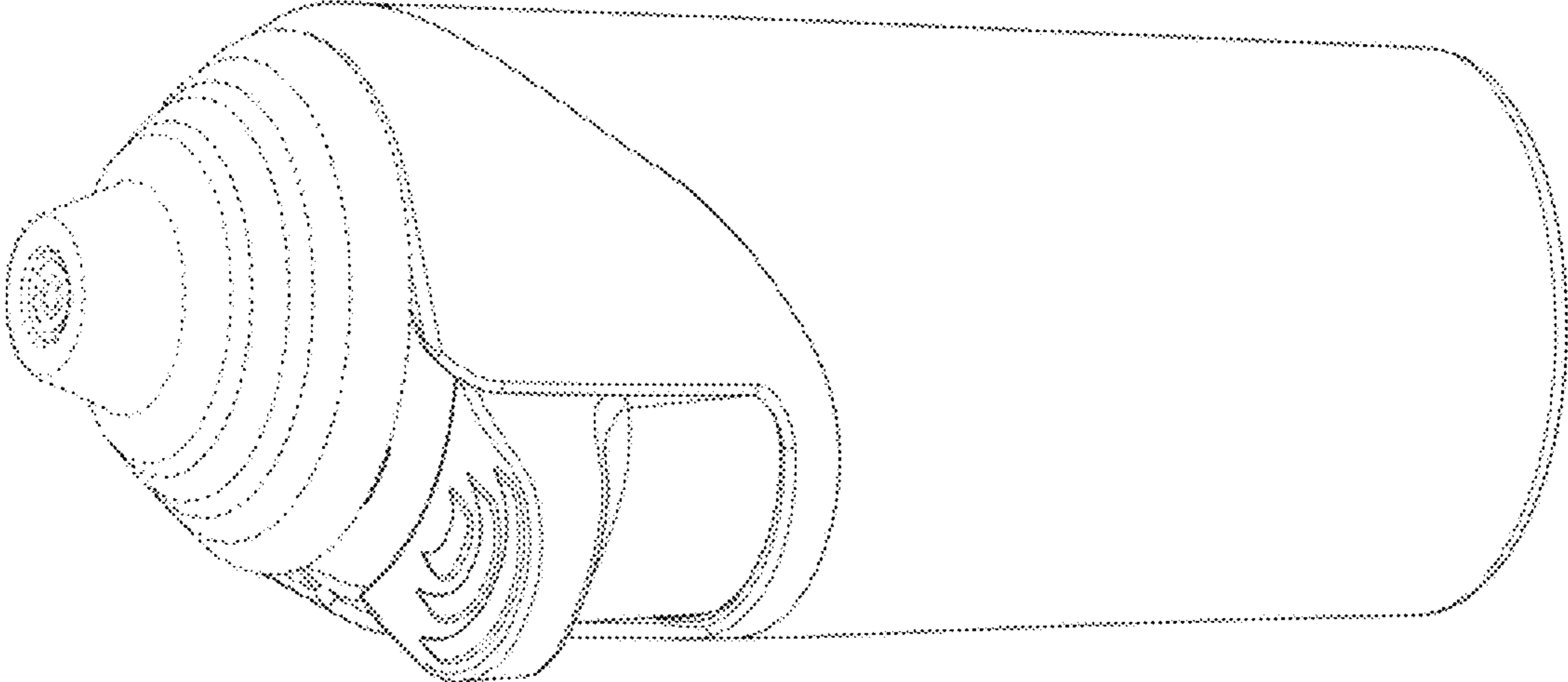


Fig. 4

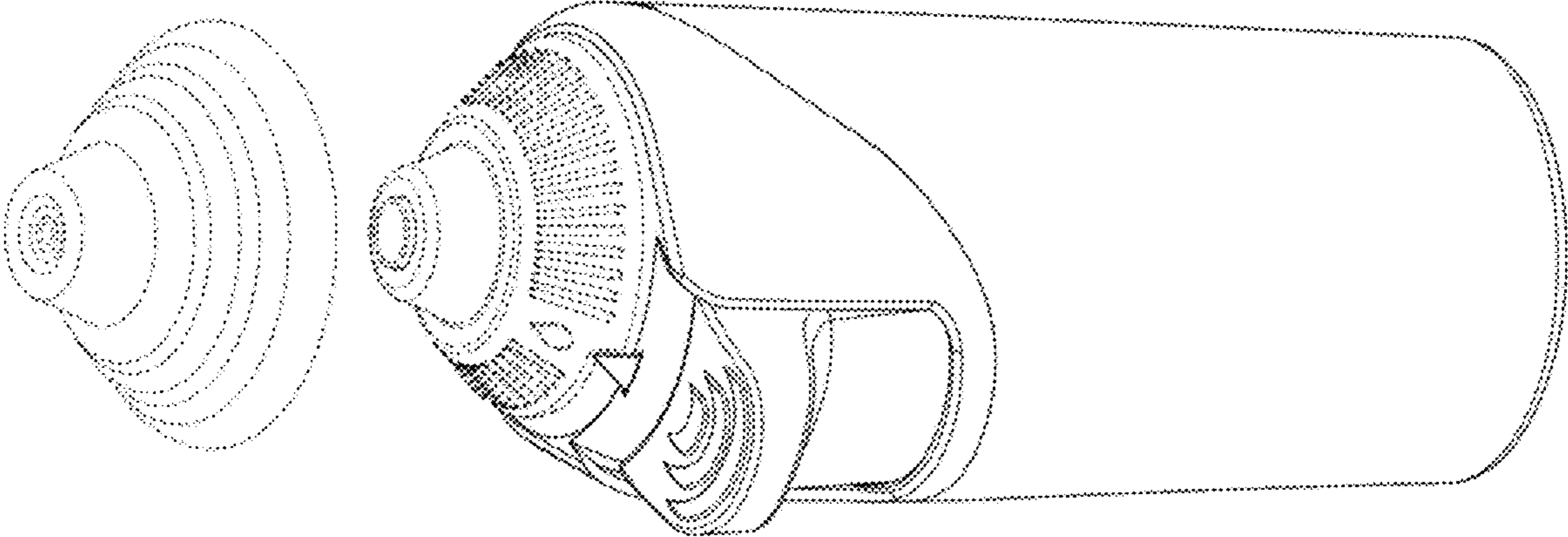


Fig. 5

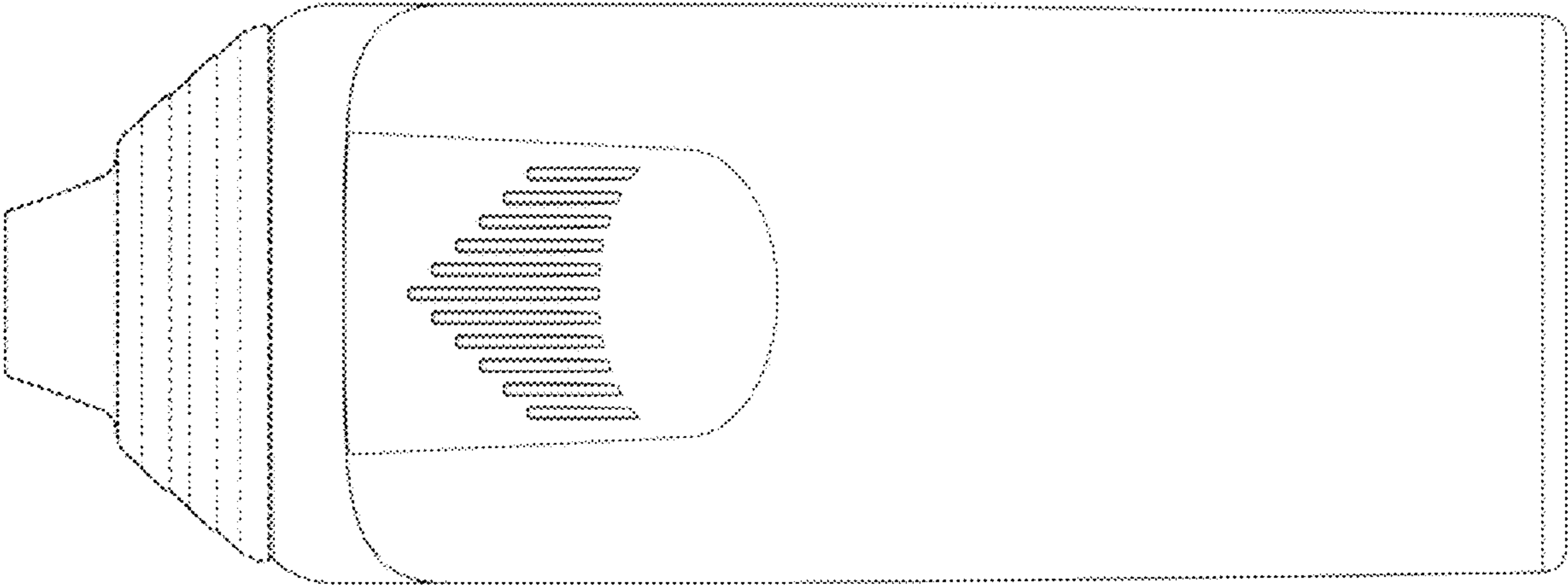


Fig. 6

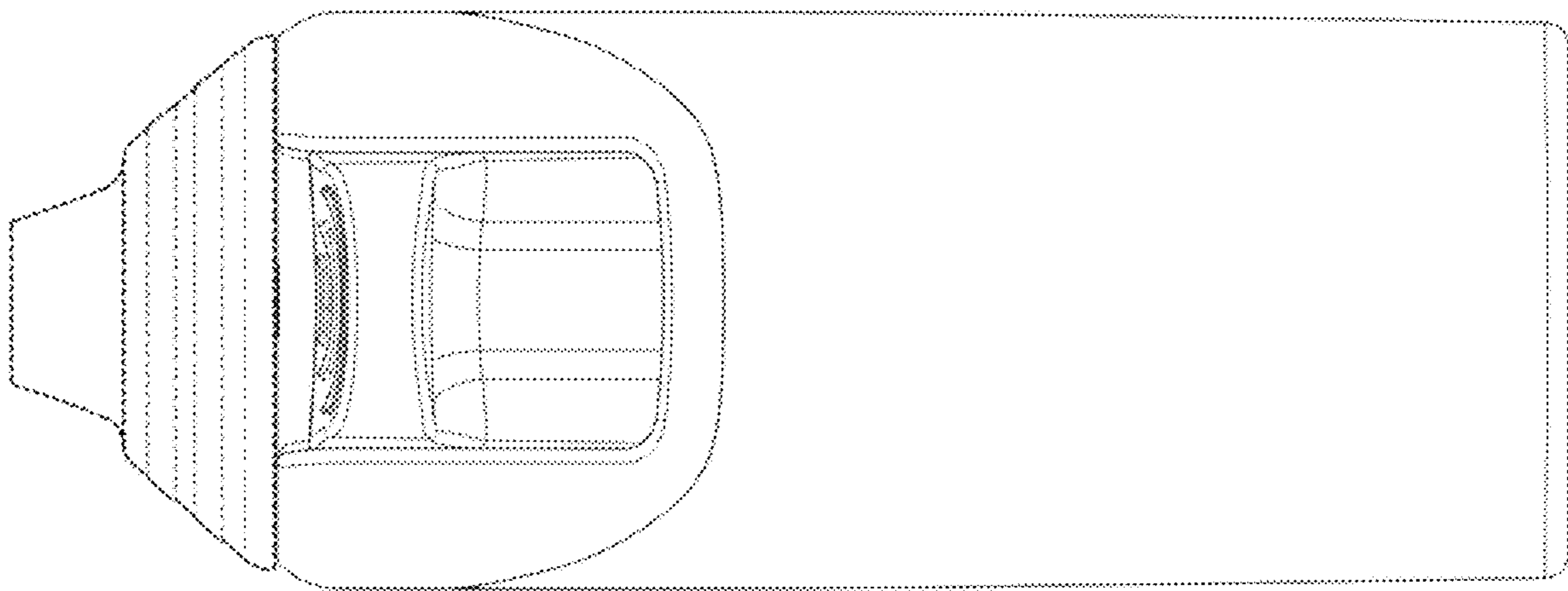




Fig. 7

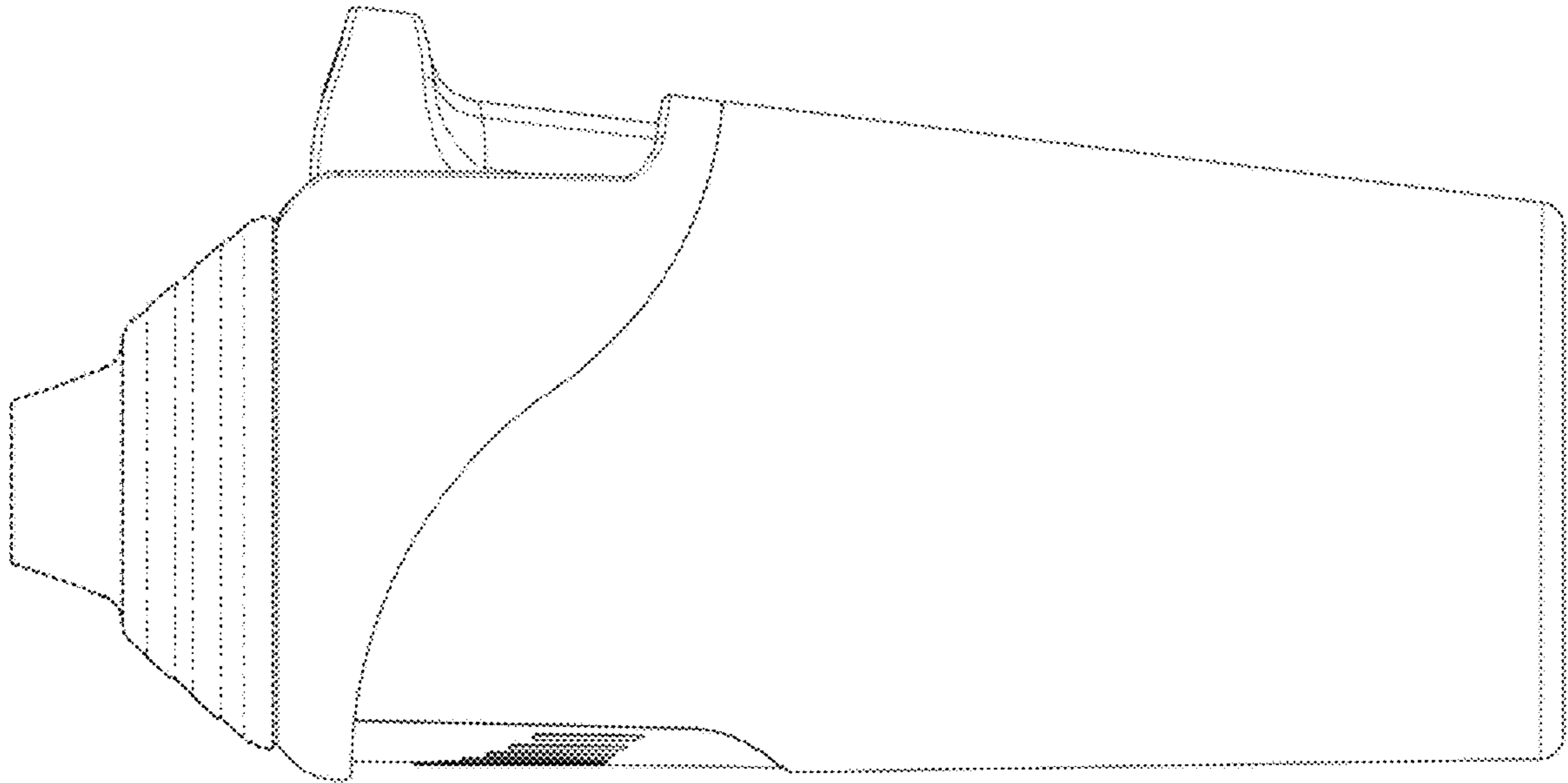


Fig. 8

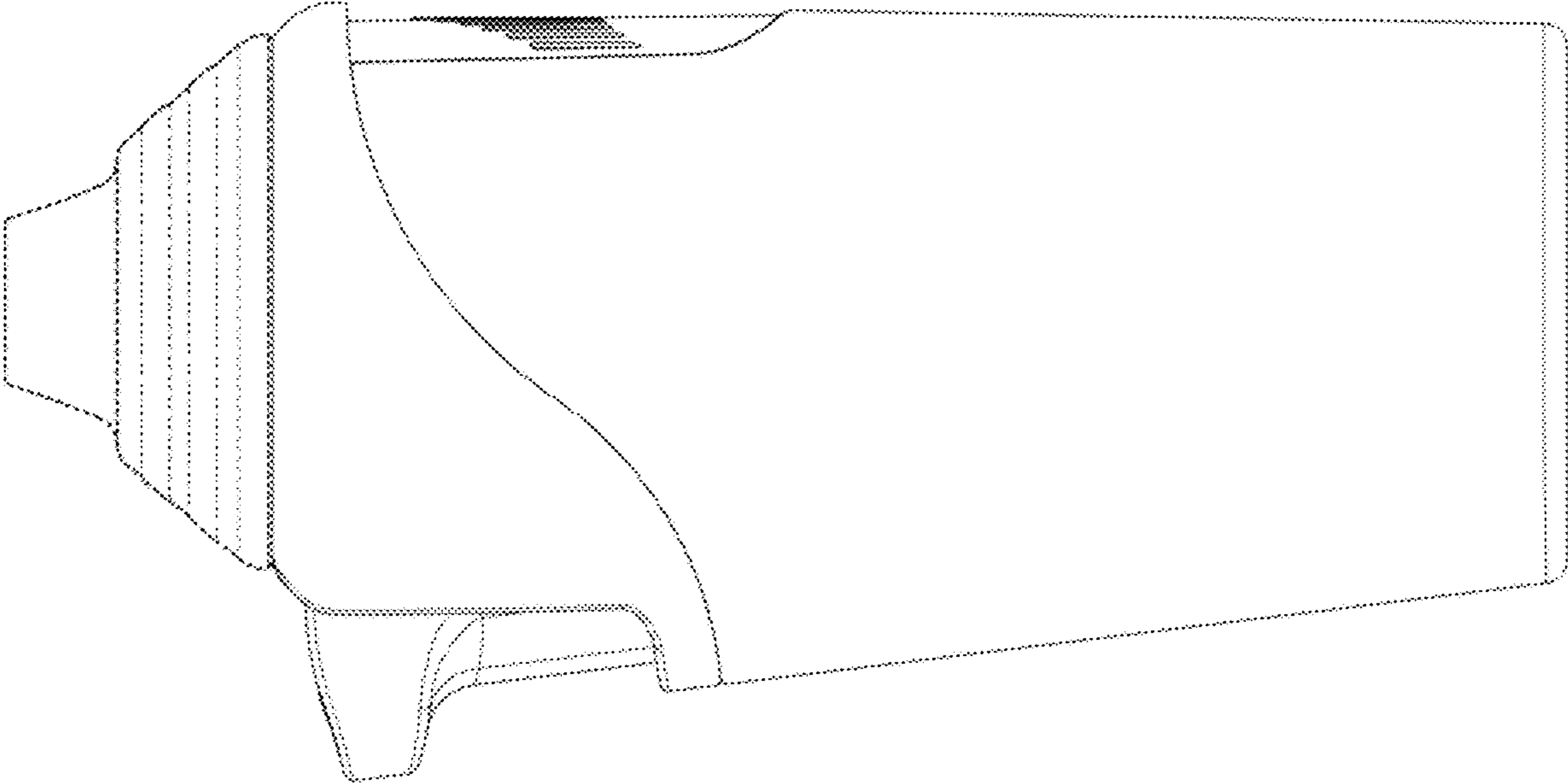


Fig. 9

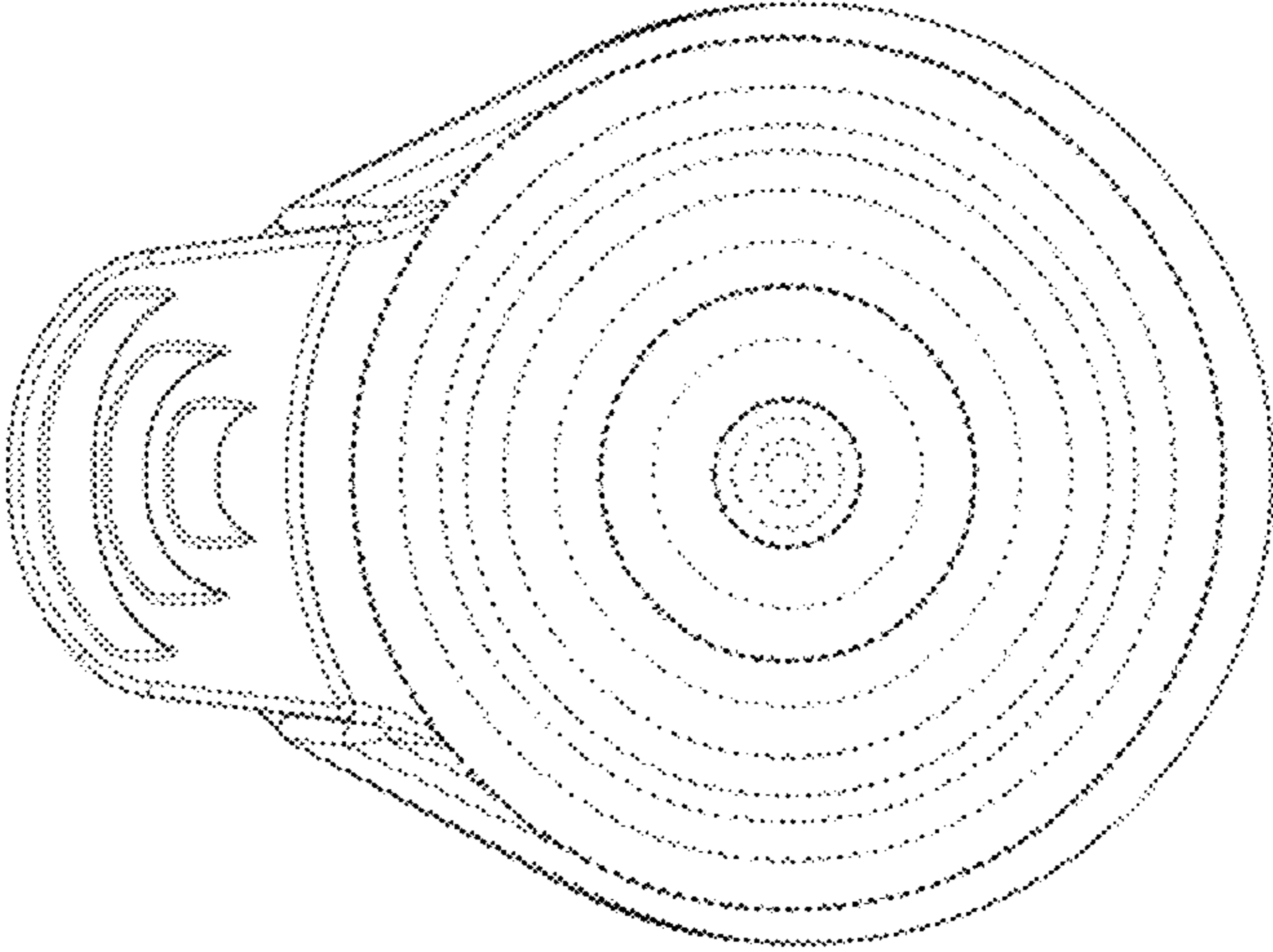


Fig. 10

