



US00D961402S

(12) **United States Design Patent** (10) **Patent No.:** **US D961,402 S**  
**Kim** (45) **Date of Patent:** **\*\* Aug. 23, 2022**

(54) **WATER ELECTROLYZE APPARATUS**

(71) Applicant: **WONBONG CO., LTD.**, Gyeonggi-do (KR)

(72) Inventor: **Joong Hee Kim**, Seoul (KR)

(73) Assignee: **WONBONG CO., LTD.**, Gyeonggi-Do (KR)

(\*\*) Term: **15 Years**

(21) Appl. No.: **29/751,705**

(22) Filed: **Sep. 23, 2020**

(51) **LOC (13) Cl.** ..... **09-01**

(52) **U.S. Cl.**  
USPC ..... **D9/685**

(58) **Field of Classification Search**  
USPC ..... D23/208, 213, 359-366; D28/5-6;  
D9/446, 529, 689  
CPC ... A61L 9/02; A61L 9/03; A61L 9/034; A61L 9/04;  
A61L 9/12; A61L 9/032; A61L 9/122; A61L 9/127; A61L 9/22  
See application file for complete search history.

(56) **References Cited**

**U.S. PATENT DOCUMENTS**

D623,071 S *	9/2010	Driskell	.....	D9/685
D665,260 S *	8/2012	Driskell	.....	D9/445
D680,879 S *	4/2013	Gershune	.....	D9/689
D691,488 S *	10/2013	Broen	.....	D9/691
D790,358 S *	6/2017	Teller	.....	D9/529
D805,917 S *	12/2017	Teller	.....	D9/686
D831,184 S *	10/2018	Liang	.....	D23/366
D847,581 S *	5/2019	Gentile	.....	D7/602
D873,149 S *	1/2020	Gooden	.....	D9/685
D893,697 S *	8/2020	Xiao	.....	D23/366
D909,882 S *	2/2021	Van Den Bergh	.....	D9/685
D910,909 S *	2/2021	Li	.....	D27/162
D918,730 S *	5/2021	Van Den Bergh	.....	D9/575

D921,486 S *	6/2021	Van Den Bergh	.....	D9/448
11,034,507 B2 *	6/2021	Spang, Jr.	.....	B65D 83/206
D935,586 S *	11/2021	Sun	.....	D23/356
D944,644 S *	3/2022	Nervo	.....	D9/448
D953,868 S *	6/2022	Bauchwitz	.....	D9/522

(Continued)

**OTHER PUBLICATIONS**

FANERFUN Hair Spray Bottle, Empty Continuous Water Mister Spray Bottle, Aerosol Fine Mist, Nov. 20, 2019, <https://www.amazon.ca/Fanerfun-Continuous-Aerosol-Hairstyling-Cleaning-5-4oz/dp/B07XYNZB3B/> (Year: 2019).\*

(Continued)

*Primary Examiner* — Keith J Wilson

(74) *Attorney, Agent, or Firm* — Ladas & Parry, LLP

(57) **CLAIM**

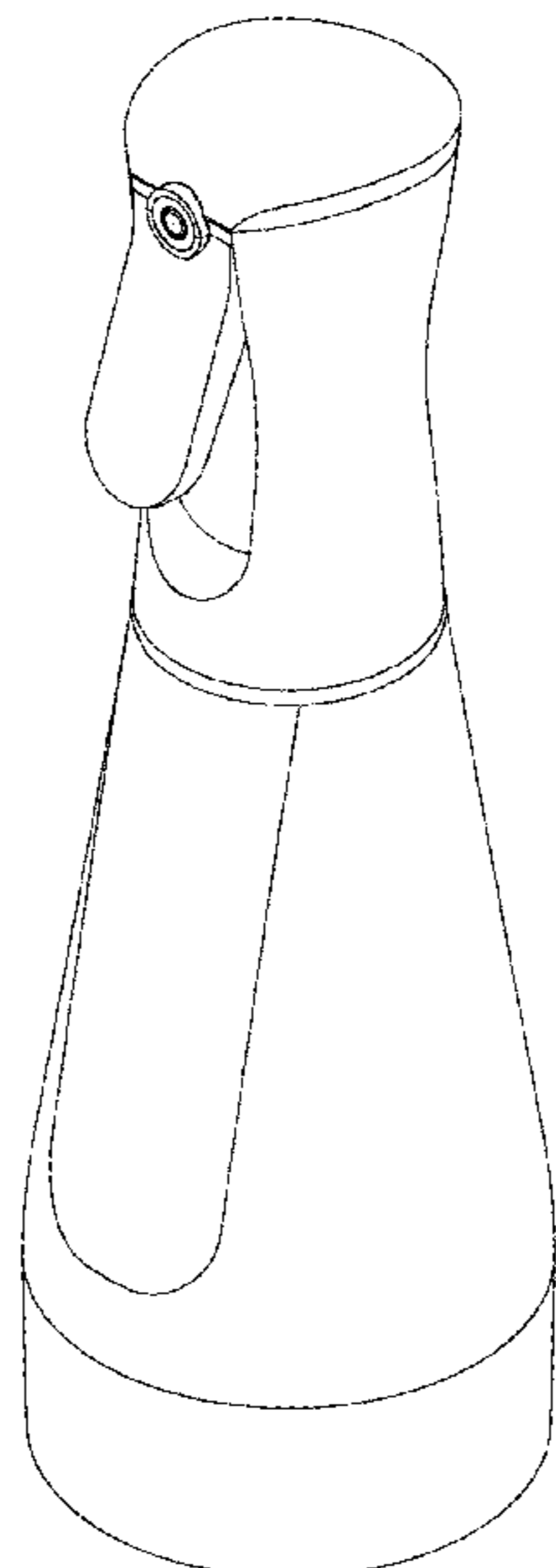
The ornamental design for a water electrolyze apparatus, as shown and described.

**DESCRIPTION**

FIG. 1 is a perspective view of a water electrolyze apparatus showing the claimed design;  
FIG. 2 is a front view of the water electrolyze apparatus showing the claimed design;  
FIG. 3 is a rear view of the water electrolyze apparatus showing the claimed design;  
FIG. 4 is a left side view of the water electrolyze apparatus showing the claimed design;  
FIG. 5 is a right side view of the water electrolyze apparatus showing the claimed design;  
FIG. 6 is a top view of the water electrolyze apparatus showing the claimed design; and,  
FIG. 7 is a bottom view of the water electrolyze apparatus showing the claimed design.

The broken lines shown in the figures show portions of a water electrolyze apparatus which form no part of the claimed design.

**1 Claim, 7 Drawing Sheets**



(56)

**References Cited**

U.S. PATENT DOCUMENTS

2008/0190968 A1\* 8/2008 Heirman ..... B65D 83/201  
222/402.15  
2011/0192867 A1\* 8/2011 Best ..... B65D 83/206  
222/402.13  
2011/0220685 A1\* 9/2011 Lind ..... B65D 83/206  
222/402.11  
2012/0000937 A1\* 1/2012 Cohen ..... B65D 83/40  
222/183

OTHER PUBLICATIONS

Houseables Continuous Spray Water Bottle, Hair Mist Sprayer, Oct. 12, 2019, amazon.ca, Jan. 21, 2022, URL: <https://www.amazon.ca/dp/B07RST377C> (Year: 2019).\*

Niubow Hair Spray Bottle, 5.4oz/160ml Refillable Continuous Water Mister, Mar. 3, 2020, amazon.ca, Jun. 8, 2022, URL: <https://www.amazon.ca/dp/B082TX224W/> (Year: 2020).\*

Houseables Continuous Spray Water Bottle, Hair Mist Sprayer, Dec. 6, 2018, amazon.ca, Jun. 8, 2022, URL: <https://www.amazon.ca/Houseables-Continuous-Flairosol-Pressurized-Cleaning/dp/B07H9F3873/> (Year: 2018).\*

Regal Beagle Fine Mist Sprayers, Mar. 1, 2017, amazon.ca, Jun. 8, 2022, URL: <https://www.amazon.ca/dp/B01LOCNGCU/> (Year: 2017).\*

\* cited by examiner

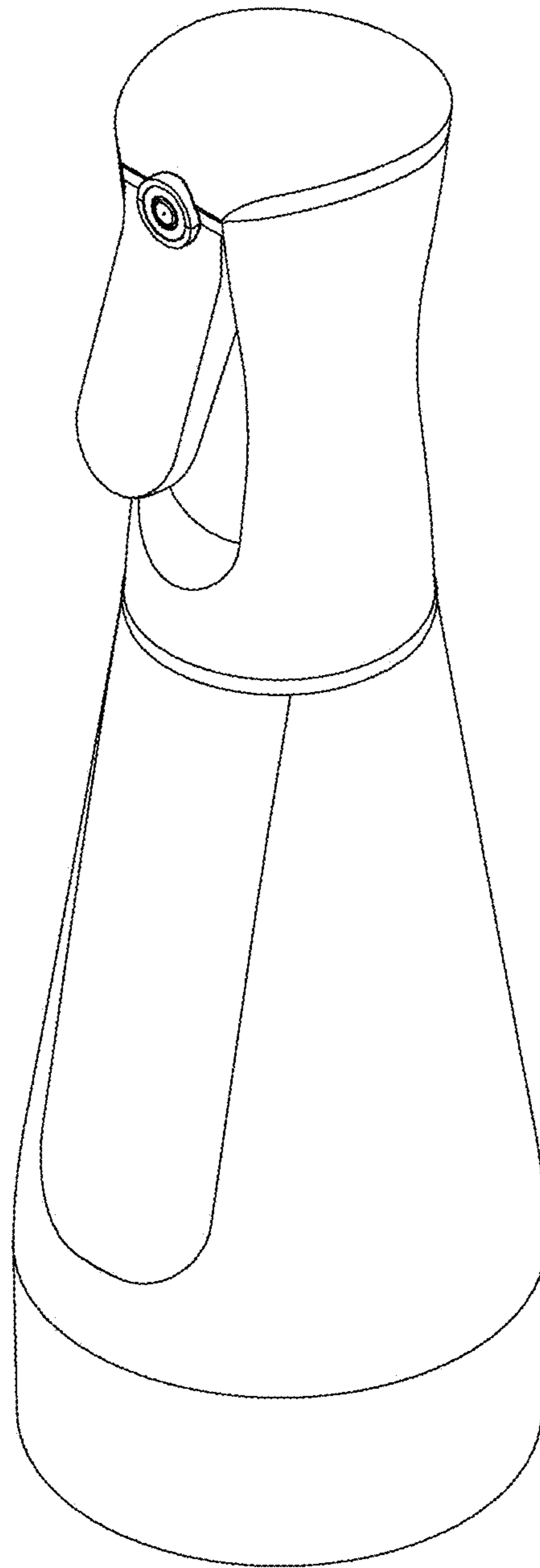


FIG. 1

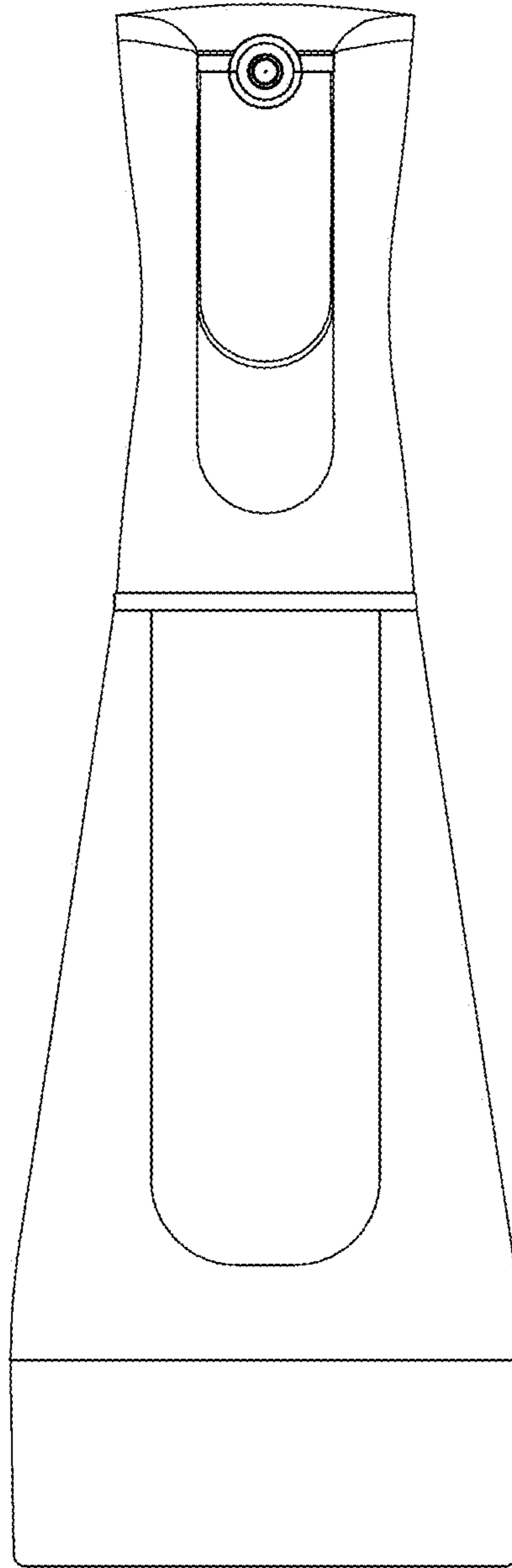


FIG. 2

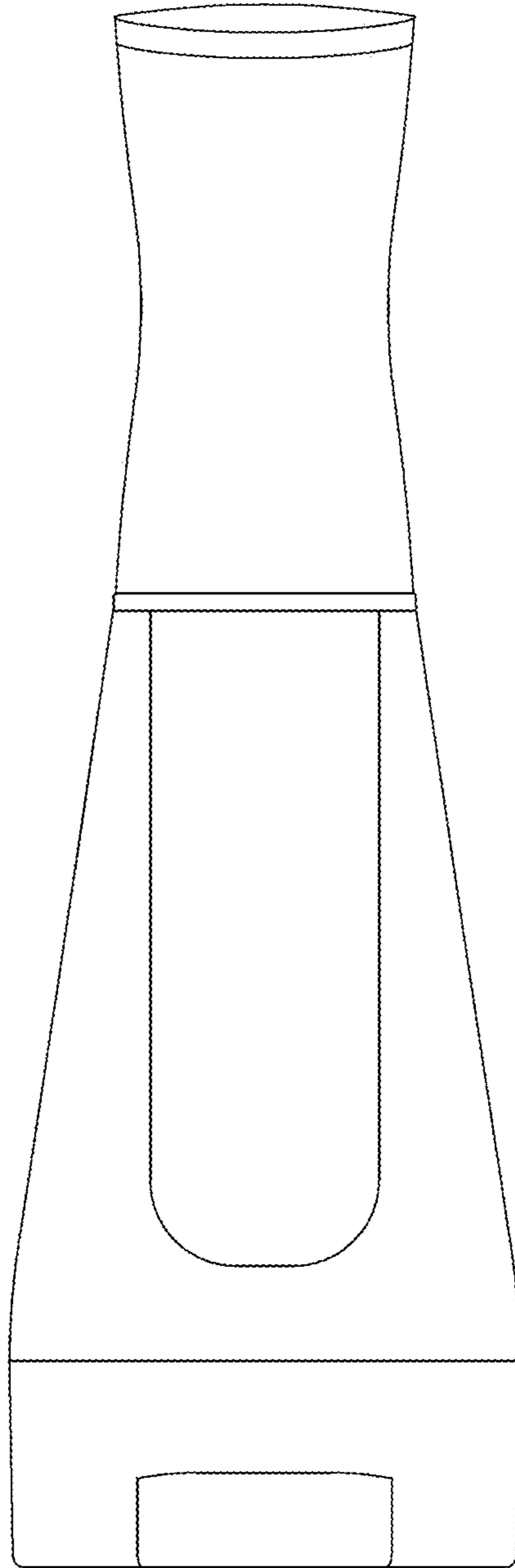


FIG. 3

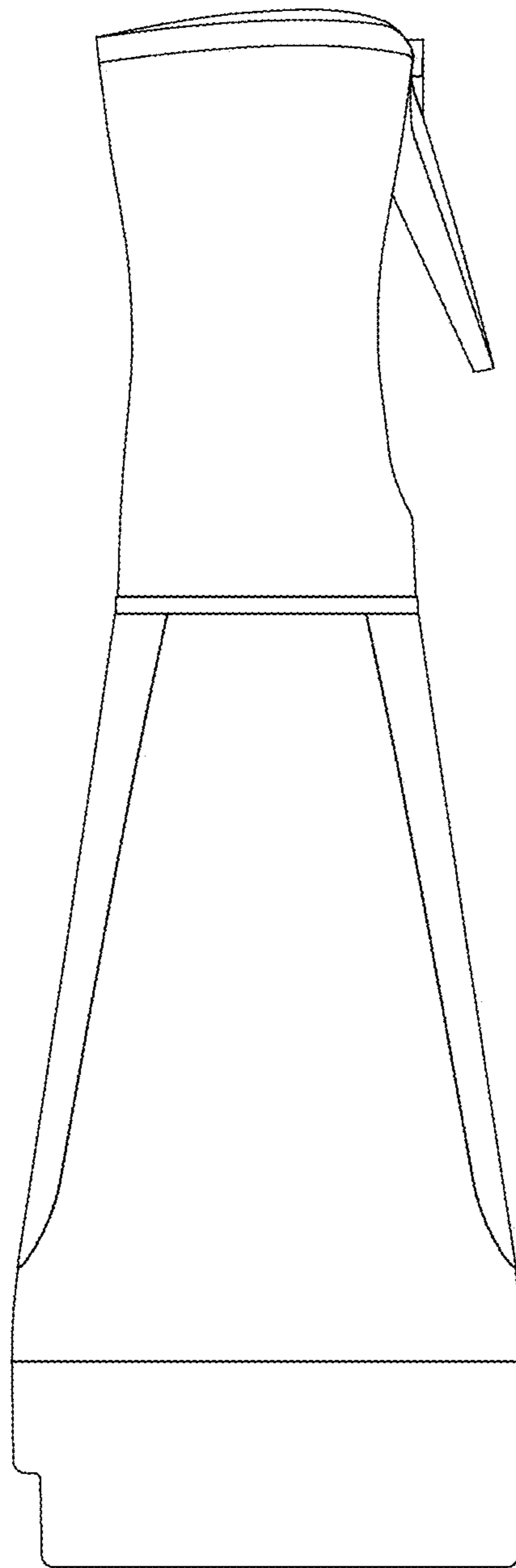


FIG. 4

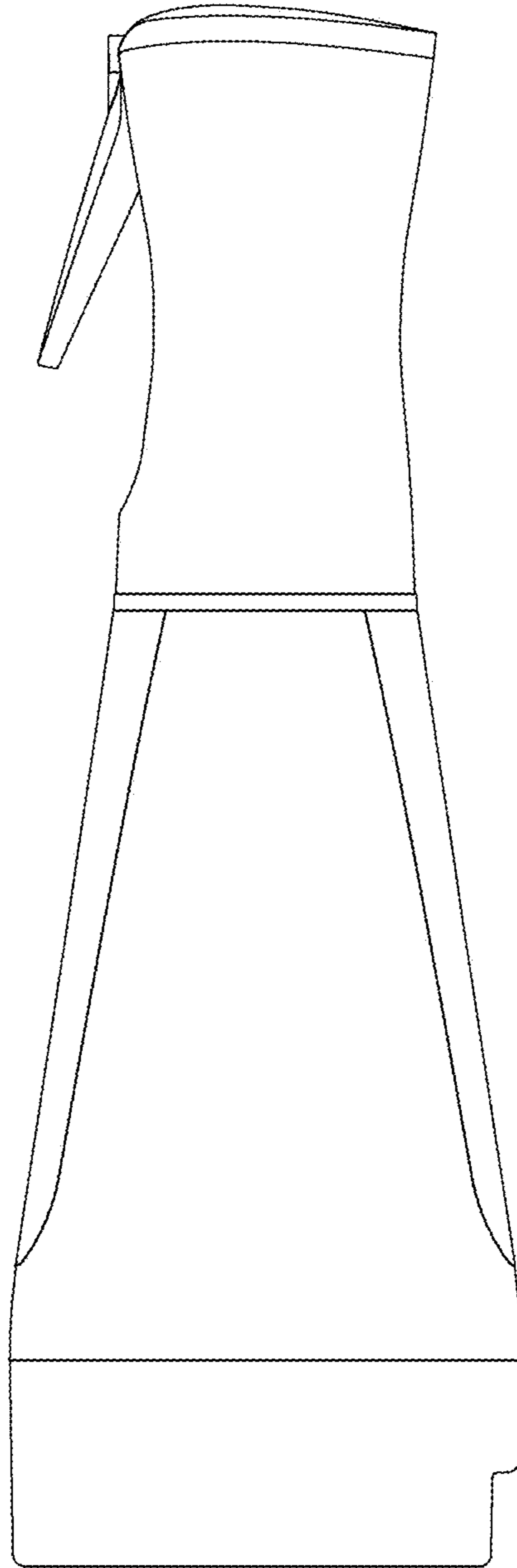


FIG. 5

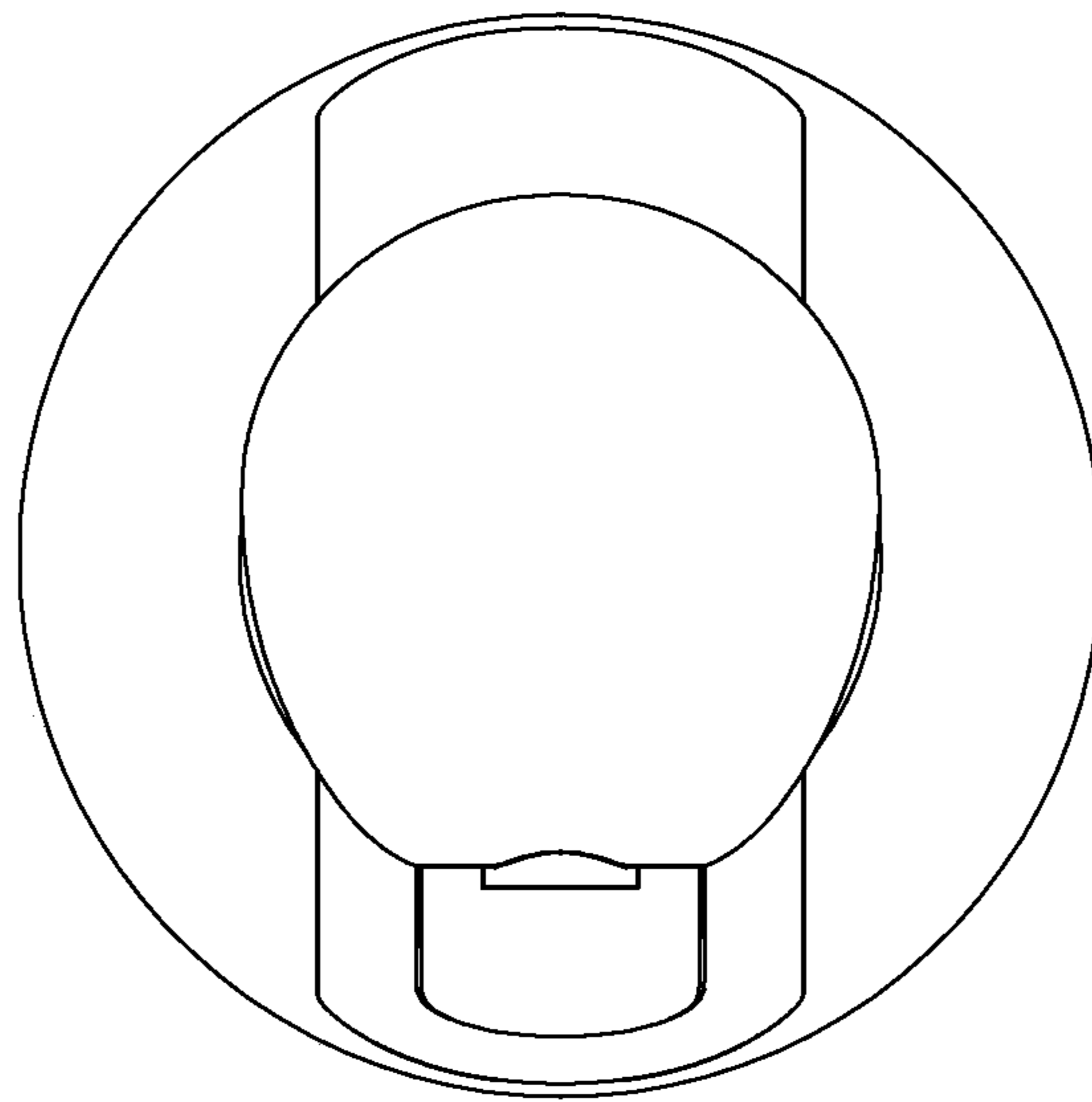


FIG. 6



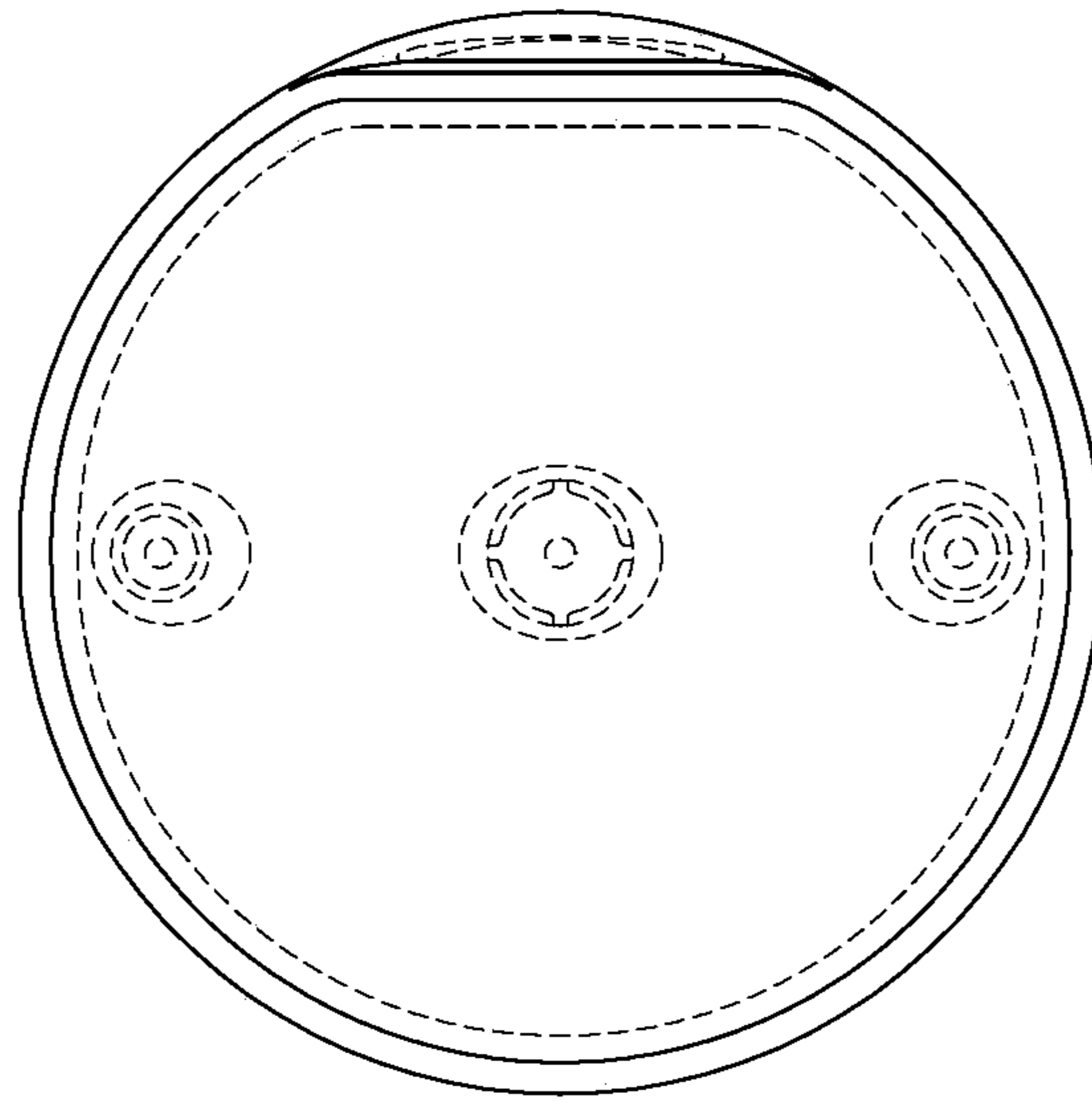


FIG. 7