



US00D961396S

(12) **United States Design Patent** (10) **Patent No.:** **US D961,396 S**  
**Cox et al.** (45) **Date of Patent:** **\*\* \*Aug. 23, 2022**

(54) **DISPENSING BOTTLE**

FOREIGN PATENT DOCUMENTS

(71) Applicant: **Henkel AG & Co. KGaA**, Duesseldorf (DE)

CN 303205468 5/2015  
CN 305193695 6/2019

(Continued)

(72) Inventors: **Peter Cox**, Dublin (IE); **Glenn Doogan**, Lucan County Dublin (IE); **Peter O’Sullivan**, Dublin (IE); **Jason Tilk**, Cleveland Heights, OH (US); **Maynard Payumo**, Parma, OH (US)

OTHER PUBLICATIONS

Loctite, Jul. 15, 2020, Locitie Youtube Page Video Post, URL:<https://www.youtube.com/watch?v=2J8vesV5fRU> (Year: 2020).

(Continued)

(73) Assignee: **Henkel AG & Co. KGaA**, Duesseldorf (DE)

*Primary Examiner* — Brett Miller  
*Assistant Examiner* — Rani J Abdallah

(74) *Attorney, Agent, or Firm* — Steven C. Bauman

(\*) Notice: This patent is subject to a terminal disclaimer.

(57) **CLAIM**

The ornamental design for a dispensing bottle, as shown and described.

(\*\*) Term: **15 Years**

**DESCRIPTION**

(21) Appl. No.: **29/809,320**

(22) Filed: **Sep. 27, 2021**

**Related U.S. Application Data**

(63) Continuation of application No. 29/718,453, filed on Dec. 24, 2019, now Pat. No. Des. 934,083.

(51) **LOC (13) Cl.** ..... **09-01**

(52) **U.S. Cl.**  
USPC ..... **D9/516**; D9/550; D9/563; D9/574

(58) **Field of Classification Search**  
USPC ..... D9/500, 516, 521, 530, 536, 542, 544, D9/549, 550, 556, 558, 559, 562, 563,  
(Continued)

(56) **References Cited**

U.S. PATENT DOCUMENTS

D184,593 S 11/1876 Curtice  
1,602,391 A 10/1926 Creaver

(Continued)

FIG. 1 is a front, top, and right side perspective view of a yellow dispensing bottle showing our new design, where the yellow portions are indicated using the USPTO convention of vertical and horizontal cross-hatched lines for yellow or gold;

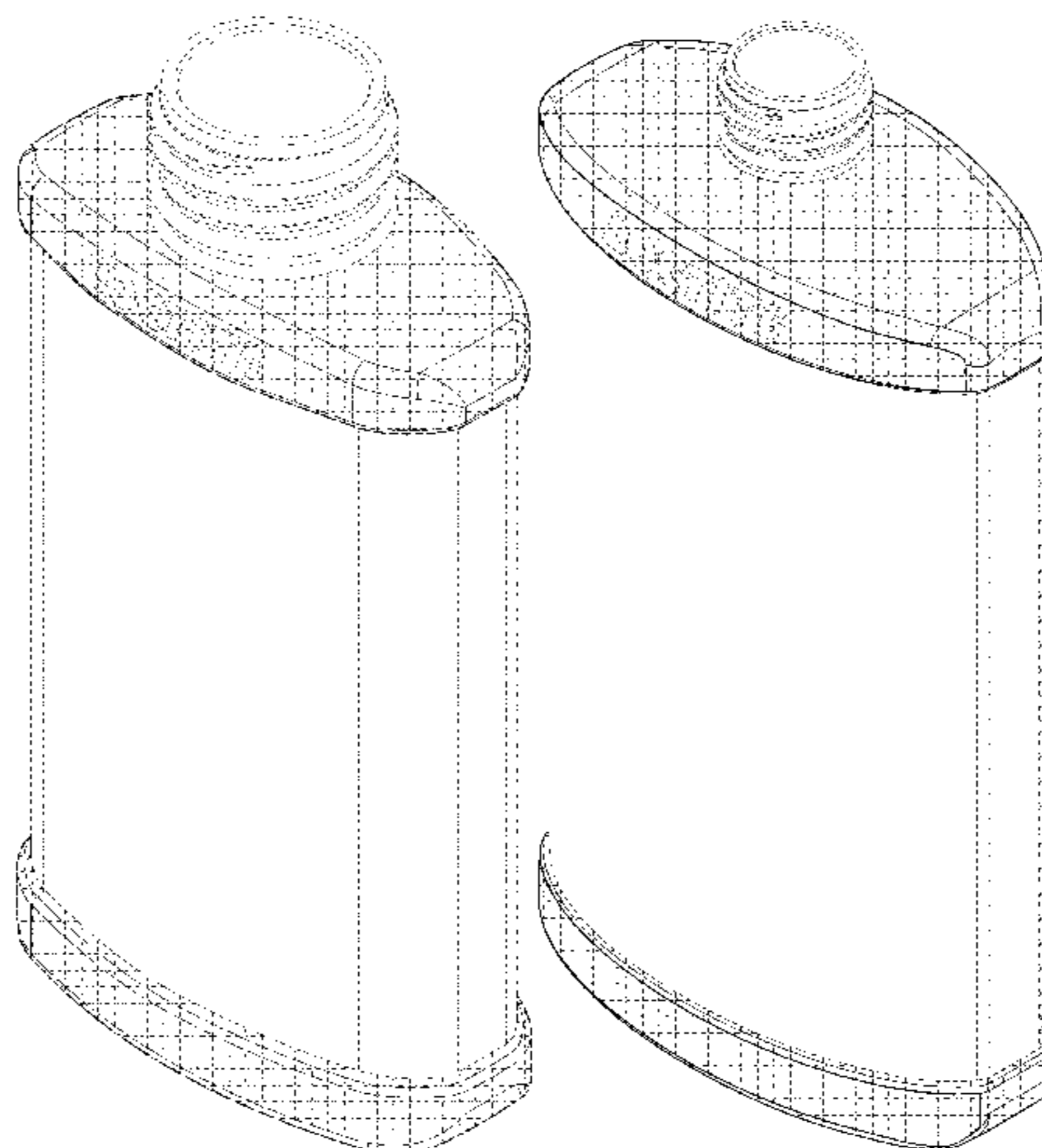
FIG. 2 is a front view thereof;  
FIG. 3 is a rear view thereof;  
FIG. 4 is a left view thereof;  
FIG. 5 is a right view thereof;  
FIG. 6 is a top view thereof;  
FIG. 7 is a bottom view thereof;

FIG. 8 is a front, top, and right side perspective view of a yellow dispensing bottle showing our new design according to another embodiment, where the yellow portions are indicated using the USPTO convention of vertical and horizontal cross-hatched lines for yellow or gold;

FIG. 9 is a front view thereof;  
FIG. 10 is a rear view thereof;  
FIG. 11 is a left view thereof;  
FIG. 12 is a right view thereof;  
FIG. 13 is a top view thereof; and,  
FIG. 14 is a bottom view thereof.

The broken lines depict environment and form no part of the claimed design.

**1 Claim, 10 Drawing Sheets**



# US D961,396 S

Page 2

(58) **Field of Classification Search**

USPC ..... D9/565, 572, 573, 574, 575, 552, 560,  
D9/571, 557; D4/114; D7/590  
CPC ..... B65D 1/0223; B65D 23/102; B65D  
2501/0081; B65D 2501/0036; B65D  
79/005; B65D 1/44; C08L 33/08; A61J  
1/03; A61J 1/00

See application file for complete search history.

(56) **References Cited**

U.S. PATENT DOCUMENTS

D109,928 S 5/1938 Williams  
D176,975 S 2/1956 Chilton  
D254,773 S 4/1980 Kretz  
D260,367 S 8/1981 Grip  
D278,515 S 4/1985 Adams  
D279,261 S 6/1985 Blocksom  
D286,986 S 12/1986 Rader  
D290,342 S 6/1987 Lyons  
D309,714 S 8/1990 Biesecker  
D316,225 S 4/1991 Edstrom et al.  
D319,582 S 9/1991 Crawford  
D325,167 S \* 4/1992 Humfress ..... D9/575  
5,156,285 A 10/1992 Zogg et al.  
D333,435 S 2/1993 Blair  
D348,613 S 7/1994 Gonda  
D352,461 S \* 11/1994 Flanagan ..... D9/542  
5,435,451 A 7/1995 Dyer  
D367,010 S 2/1996 Moore  
D372,675 S 8/1996 Pollard  
D394,211 S 5/1998 Kuzma et al.  
6,129,802 A 10/2000 Key  
6,536,977 B1 3/2003 Hammel  
D505,078 S 5/2005 Fischer et al.  
6,913,405 B2 7/2005 Fischer et al.  
6,997,337 B1 2/2006 Wurster

D528,429 S 9/2006 Bartel  
D529,814 S 10/2006 Winkler  
D533,456 S 12/2006 Schuller et al.  
D534,804 S \* 1/2007 Muehlhausen ..... D9/575  
D614,036 S 4/2010 Gedanke  
D619,471 S 7/2010 Graunstadt  
D932,907 S \* 10/2021 Cox ..... D9/563  
D932,908 S \* 10/2021 Cox ..... D9/563  
D932,909 S \* 10/2021 Cox ..... D9/563  
D932,910 S \* 10/2021 Cox ..... D9/563  
D932,911 S \* 10/2021 Cox ..... D9/563  
D932,912 S \* 10/2021 Cox ..... D9/563  
D932,913 S \* 10/2021 Cox ..... D9/563  
D932,914 S \* 10/2021 Cox ..... D9/563  
D932,915 S \* 10/2021 Cox ..... D9/563  
D932,916 S \* 10/2021 Cox ..... D9/563  
D932,919 S \* 10/2021 Cox ..... D9/563  
D934,083 S \* 10/2021 Cox ..... D9/563  
D938,281 S \* 12/2021 Pham ..... D9/563  
2001/0022291 A1 9/2001 Shimada et al.  
2005/0189314 A1 9/2005 Carbone  
2007/0090083 A1 10/2007 Trude  
2009/0255893 A1 10/2009 Zummo et al.  
2013/0008913 A1 1/2013 Boukobza  
2015/0158620 A1 6/2015 Sekiguchi et al.  
2020/0198826 A1 6/2020 Koy et al.

FOREIGN PATENT DOCUMENTS

KR 300423334.0000 8/2006  
KR 3020180001616 12/2018

OTHER PUBLICATIONS

New Packing, Feb. 28, 2020, Henkel website post, U RL:[https://www.henkel-adhesives.com/uk/en/product/threadlockers/loctite\\_222.html](https://www.henkel-adhesives.com/uk/en/product/threadlockers/loctite_222.html) (Year: 2020).

\* cited by examiner

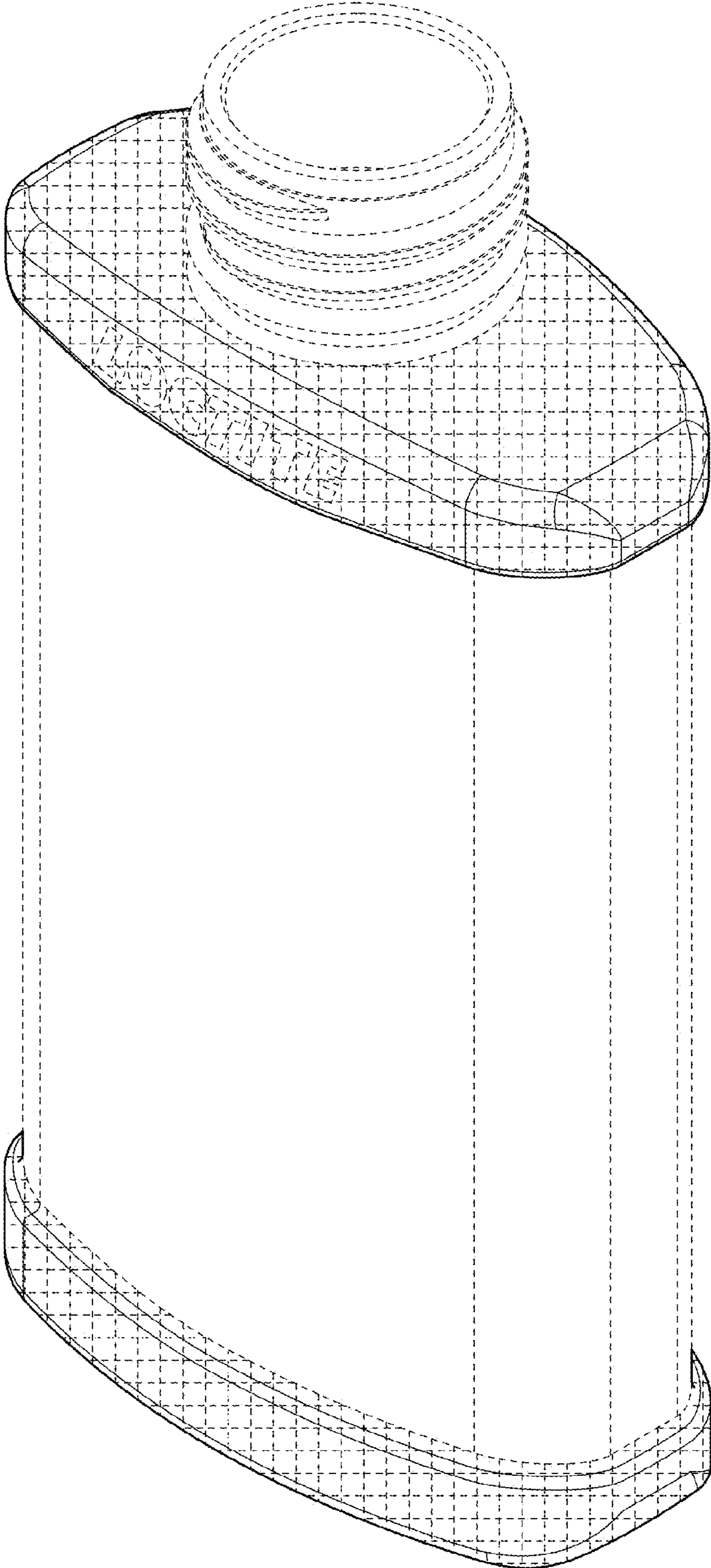


FIG. 1

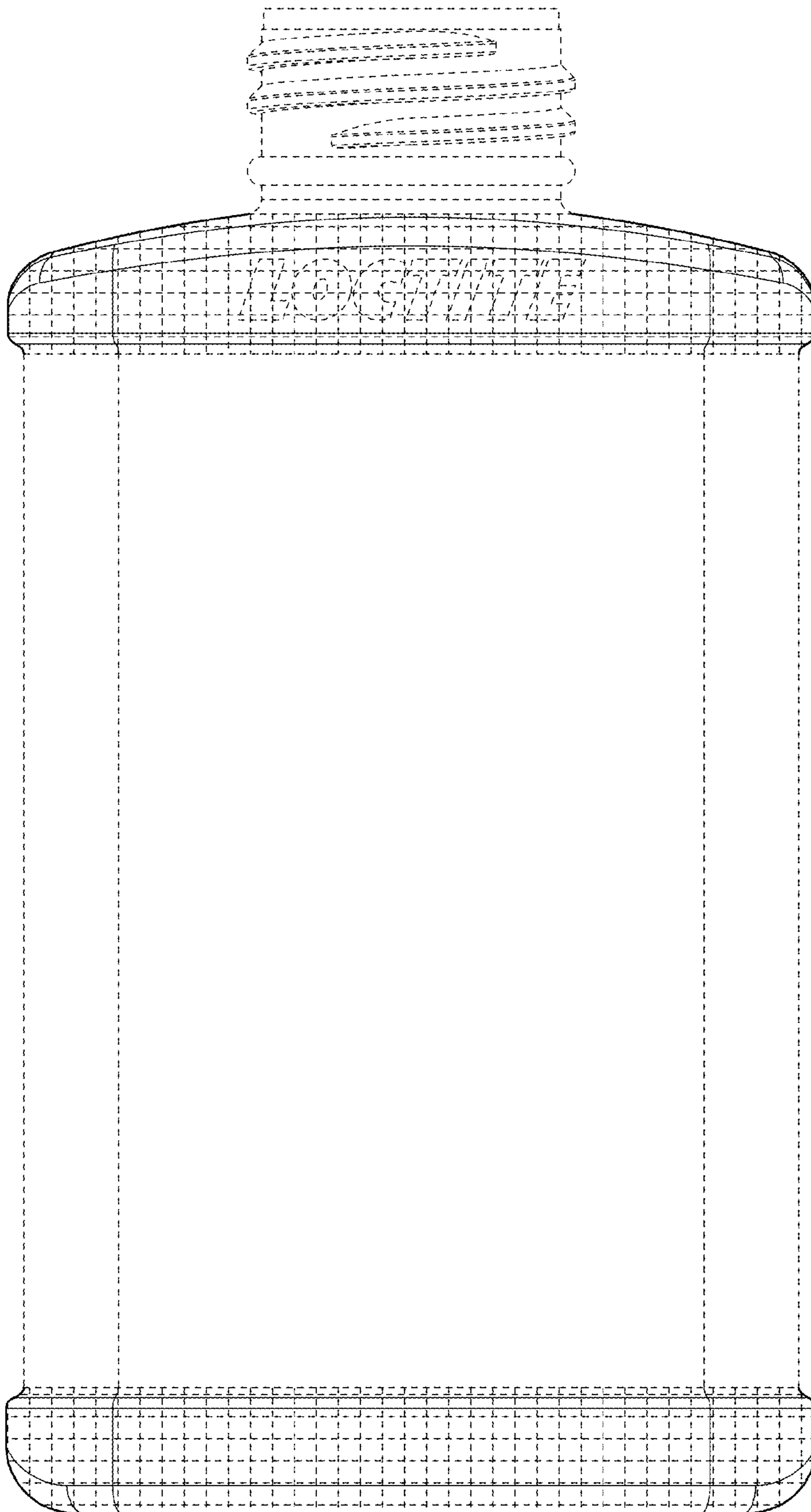


FIG. 2

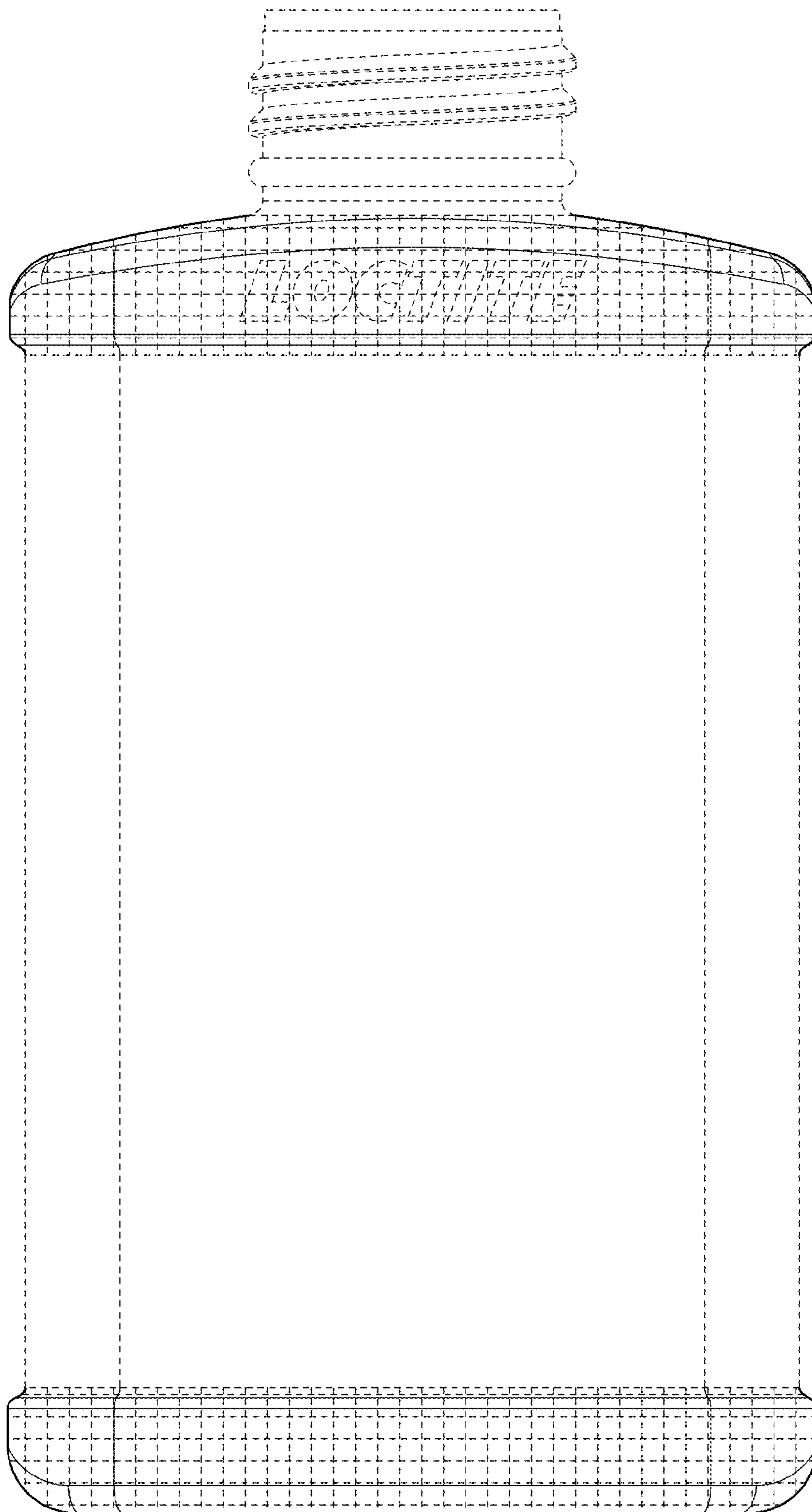


FIG. 3

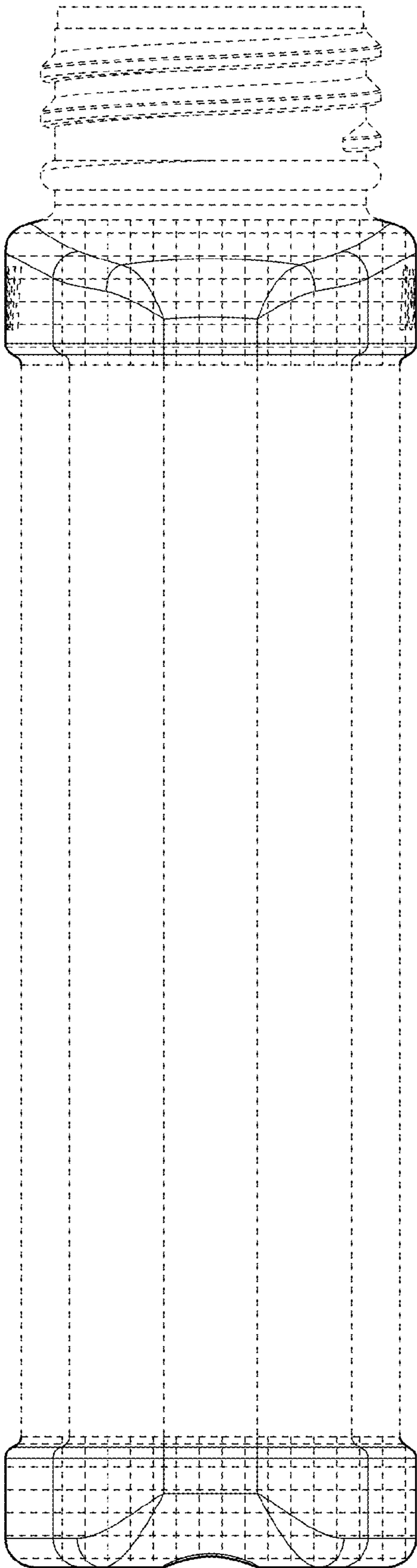


FIG. 4

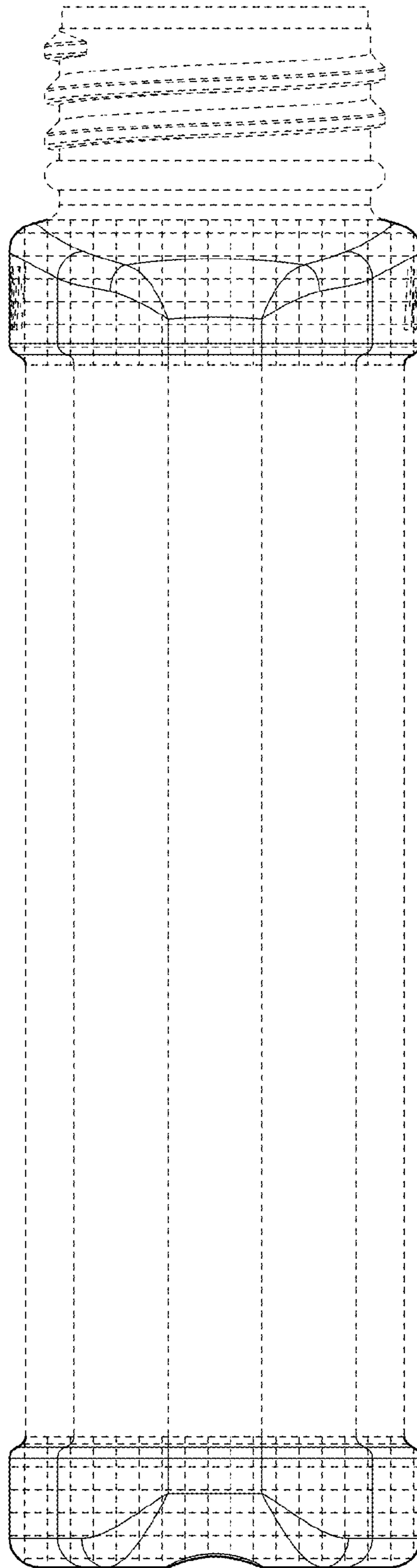


FIG. 5

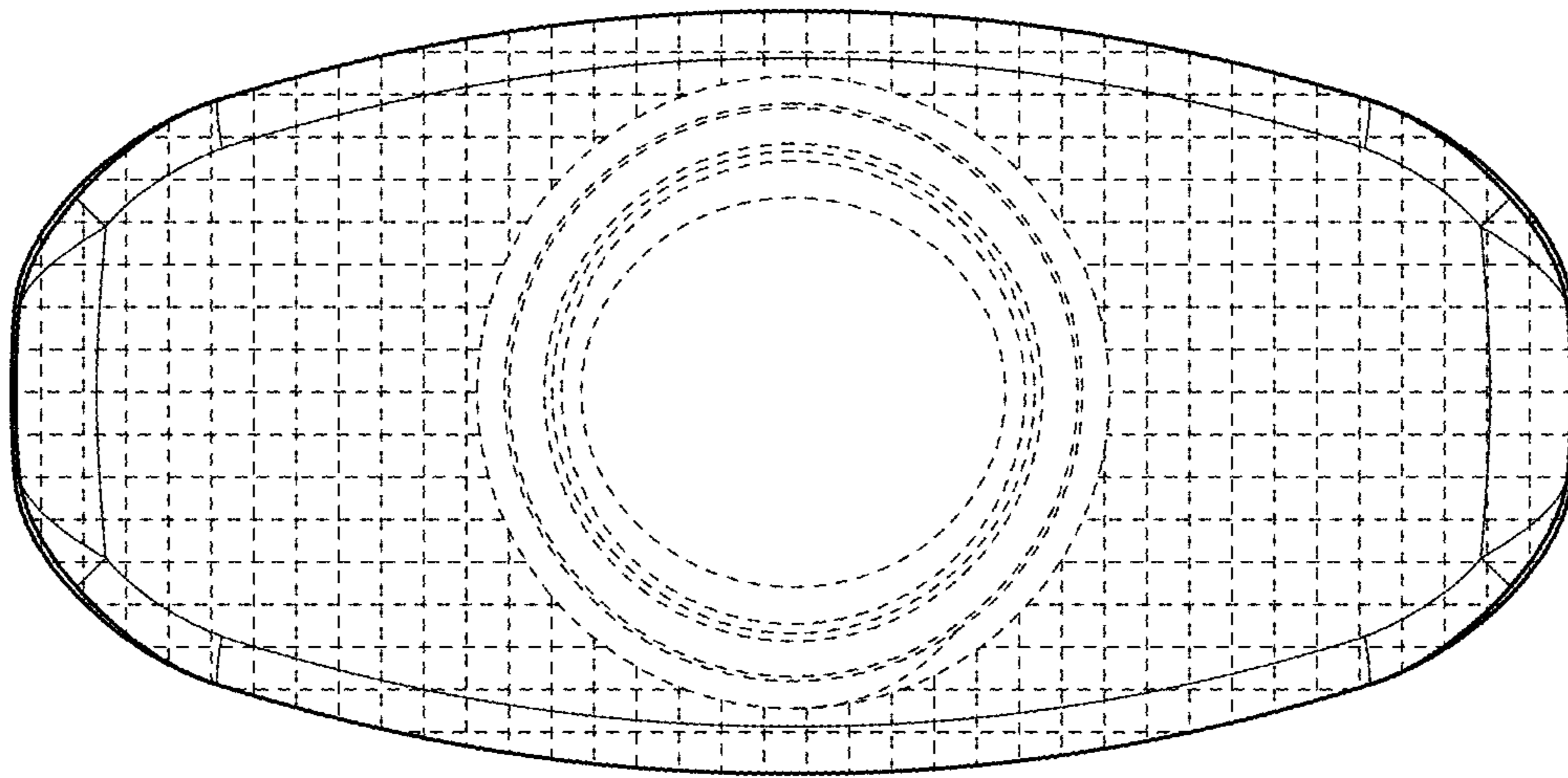


FIG. 6

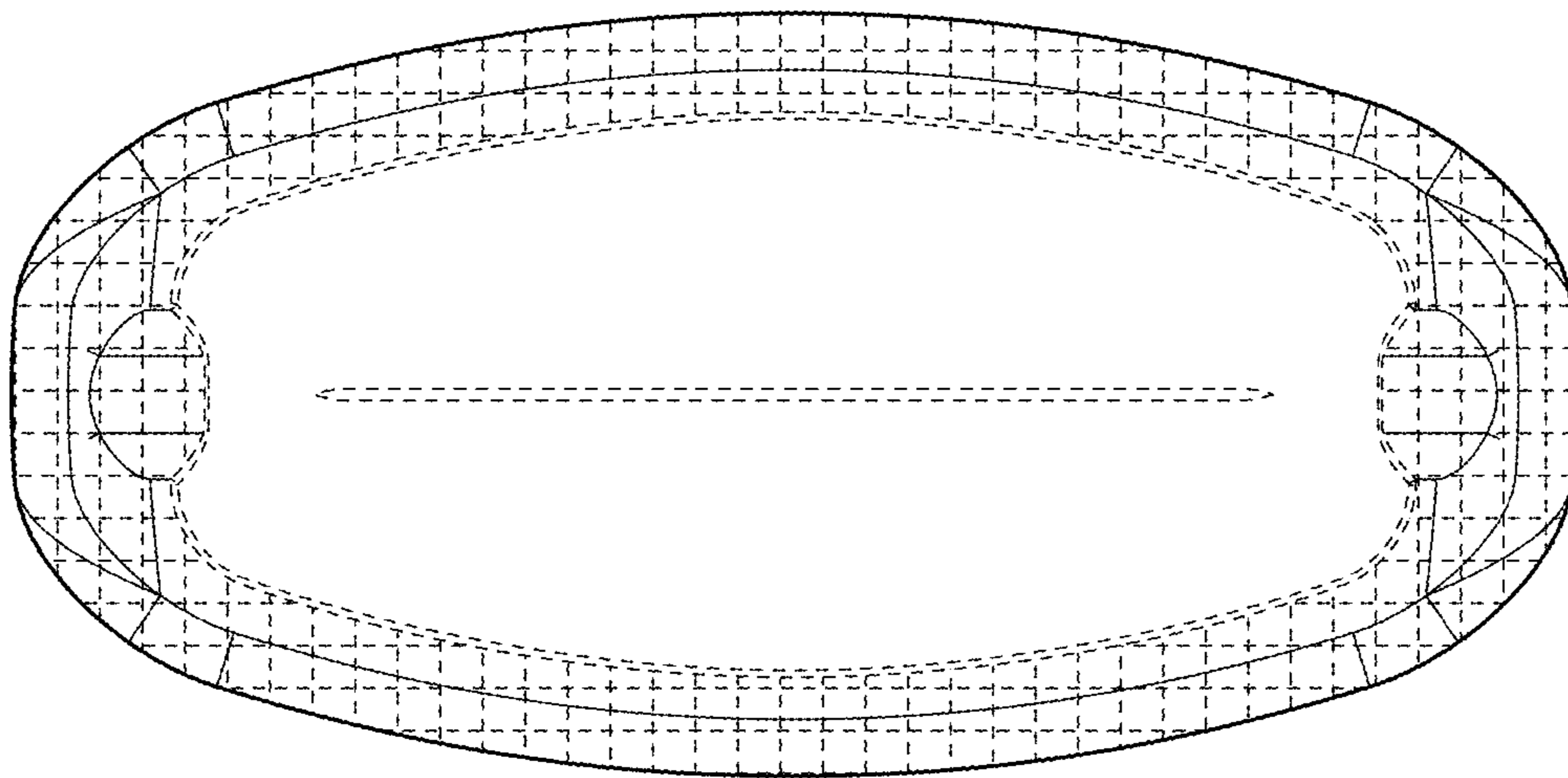


FIG. 7

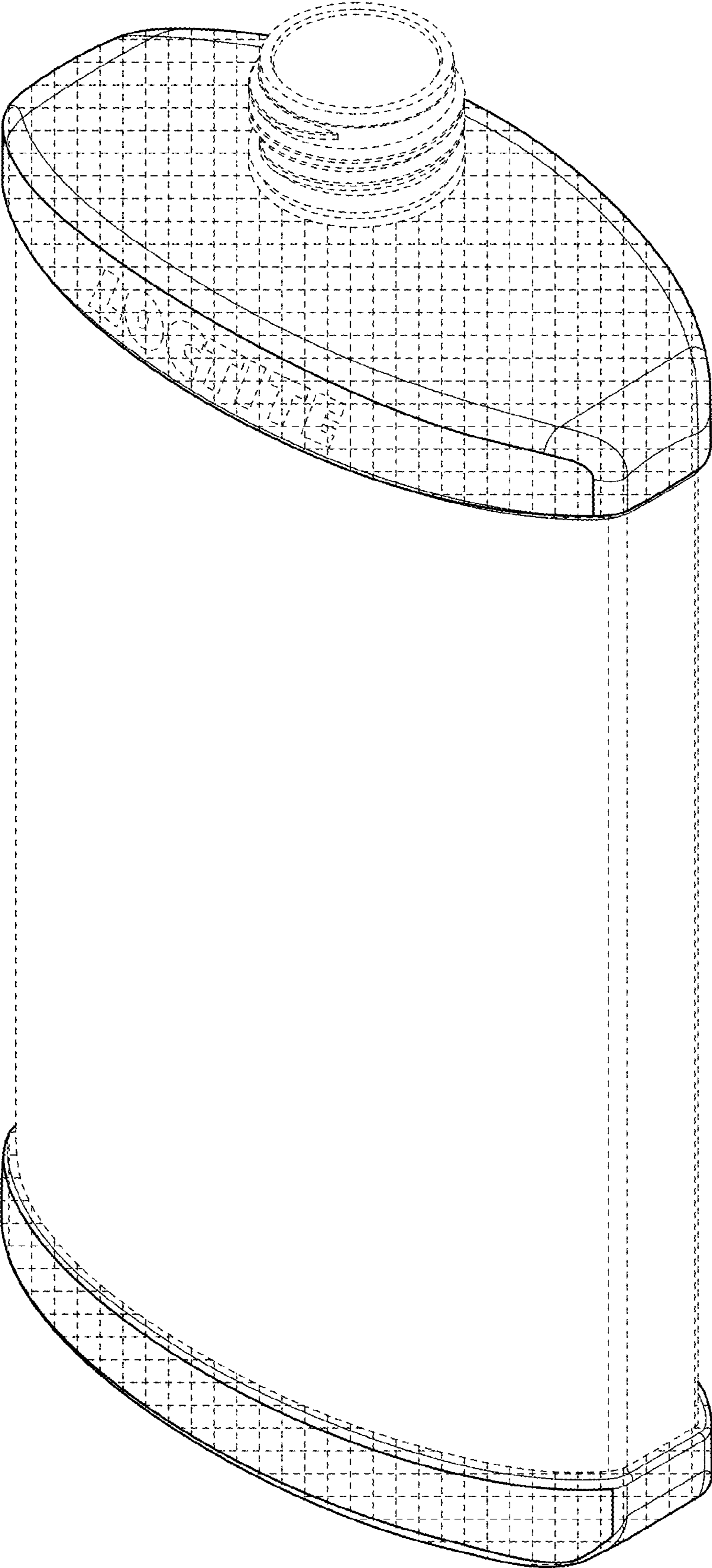


FIG. 8



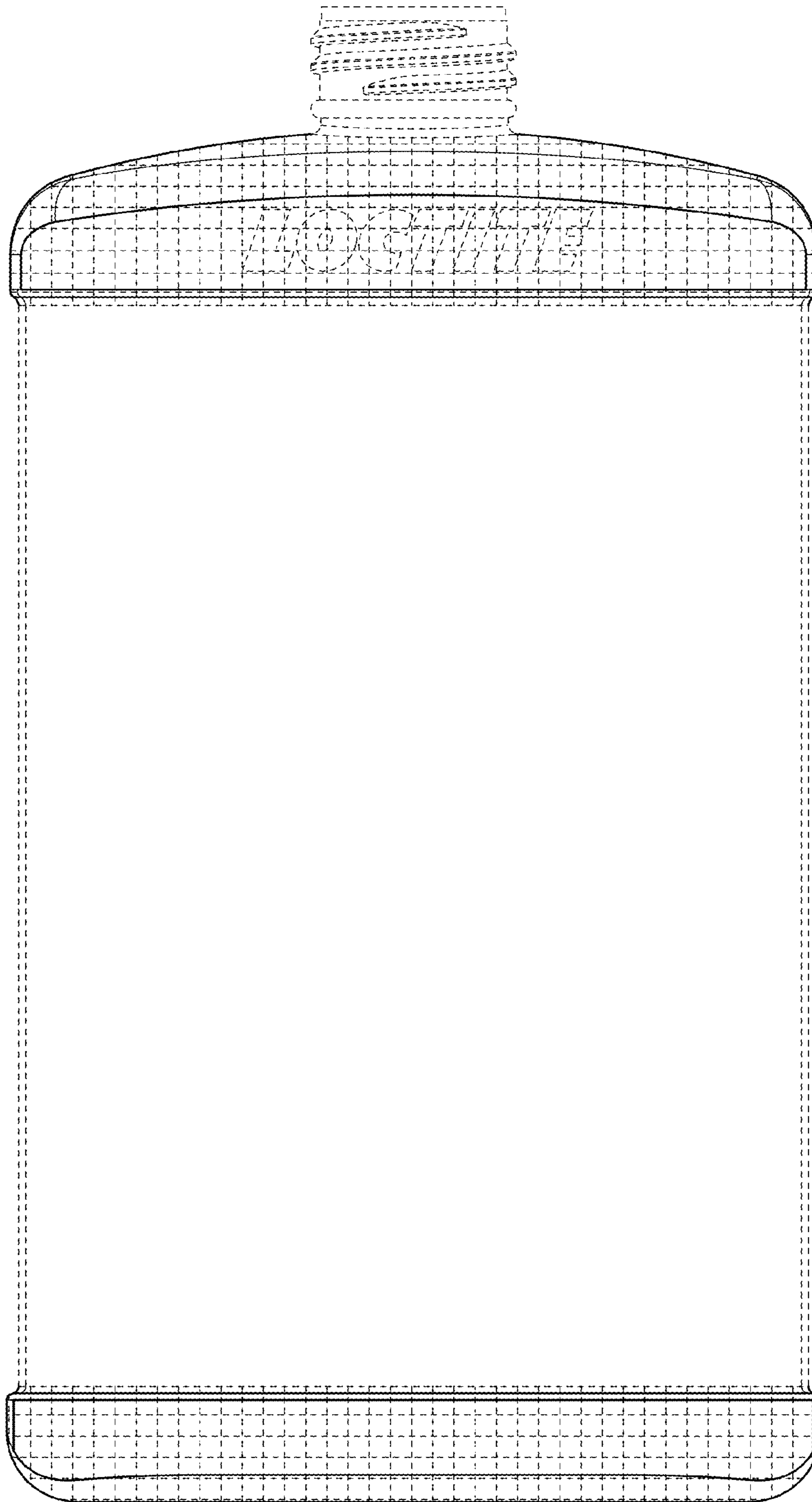


FIG. 9



FIG. 10

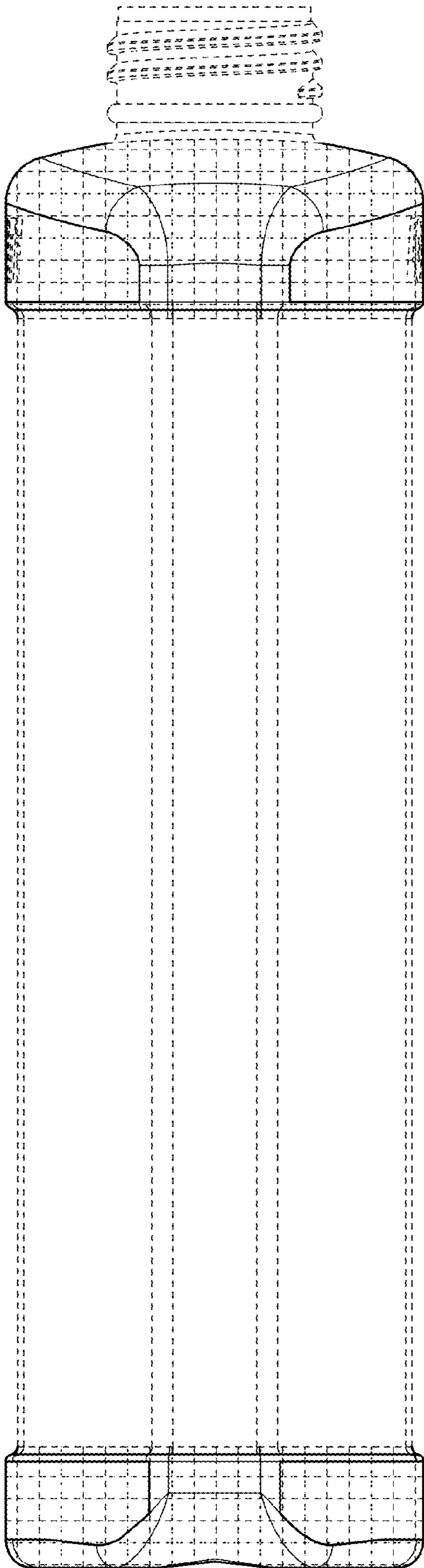


FIG. 11

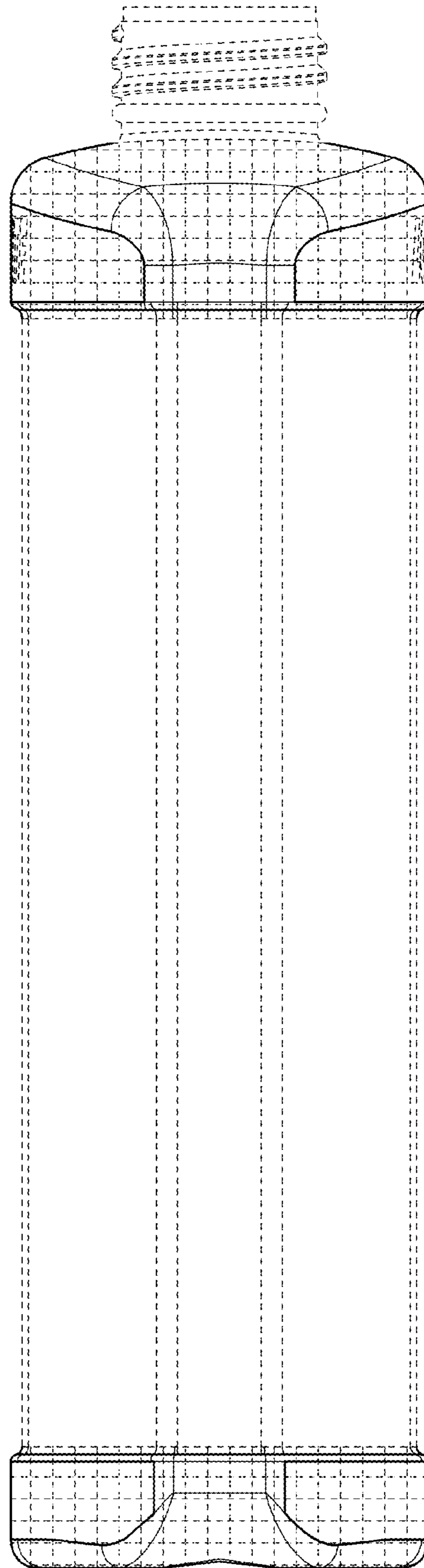


FIG. 12

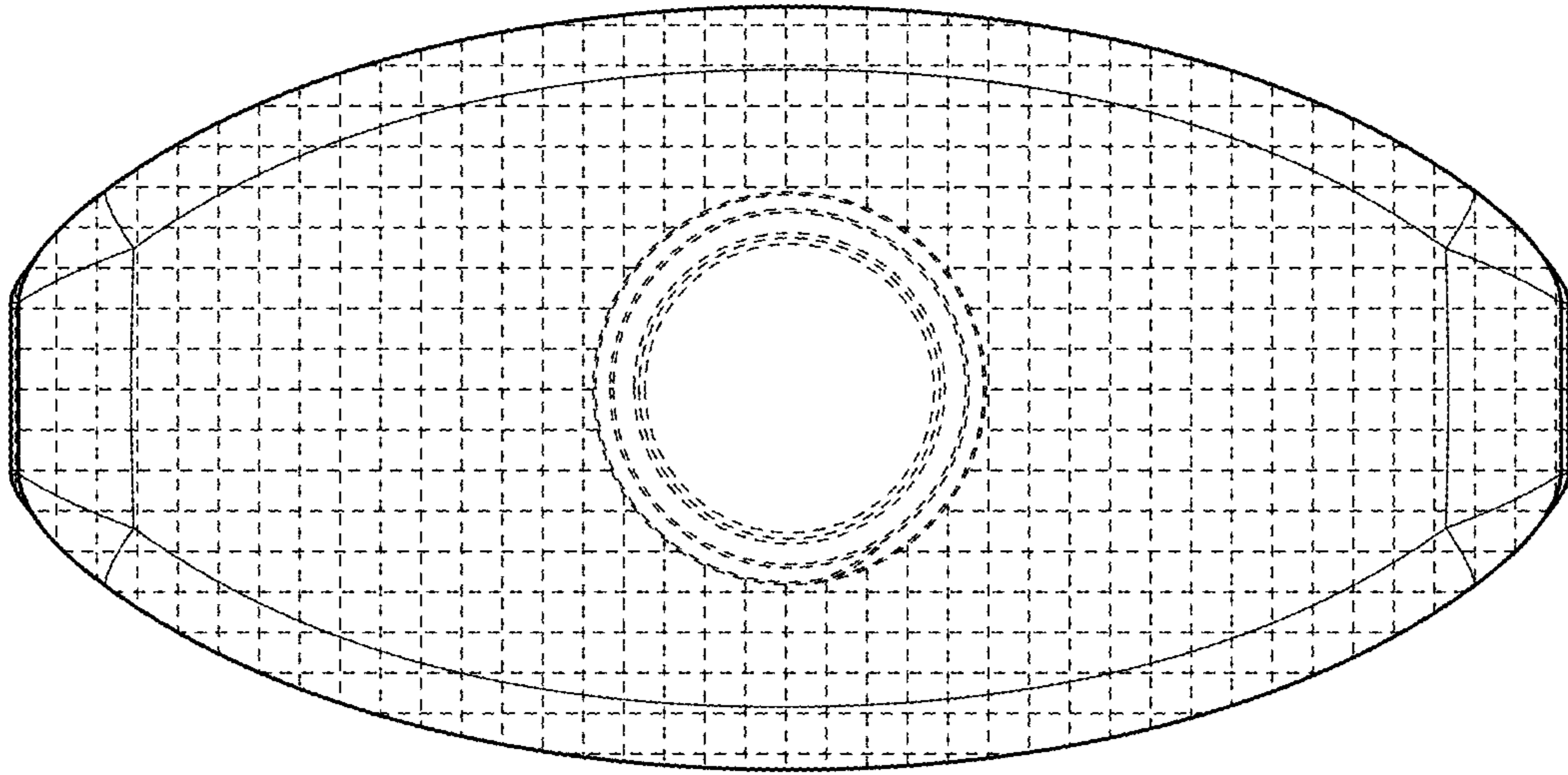


FIG. 13

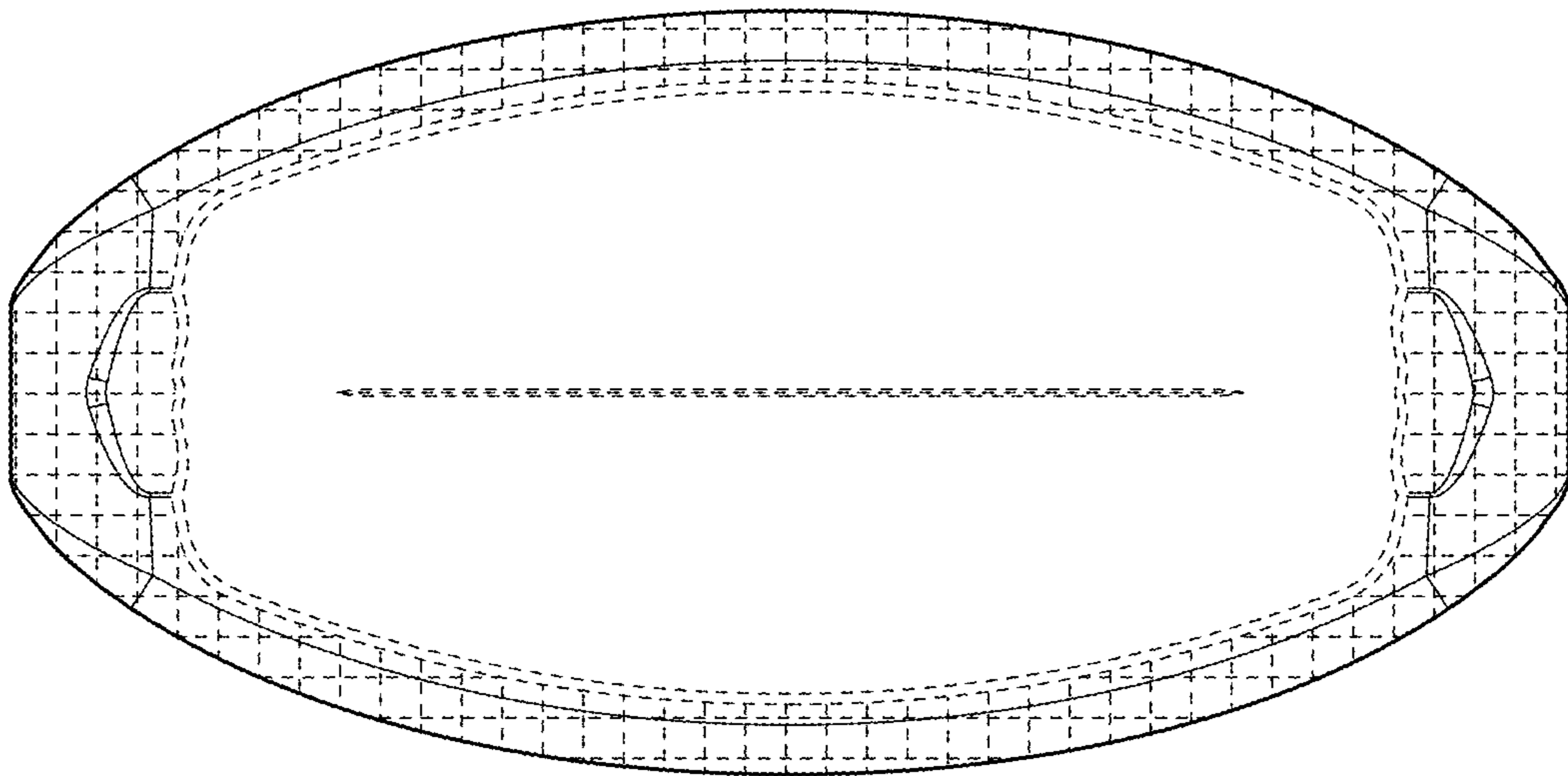


FIG. 14