



US00D961391S

(12) **United States Design Patent**
Cox et al.

(10) **Patent No.:** **US D961,391 S**

(45) **Date of Patent:** **** *Aug. 23, 2022**

(54) **DISPENSING BOTTLE**

FOREIGN PATENT DOCUMENTS

(71) Applicant: **Henkel AG & Co. KGaA**, Duesseldorf (DE)

CN 303205468 5/2015
CN 305193695 6/2019

(Continued)

(72) Inventors: **Peter Cox**, Dublin (IE); **Glenn Doogan**, Dublin (IE); **Peter O'Sullivan**, Dublin (IE); **Jason Tilk**, Cleveland Heights, OH (US); **Maynard Payumo**, Parma, OH (US)

OTHER PUBLICATIONS

Loctite, Jul. 15, 2020, Loctite Youtube Page Video Post, URL:<https://www.youtube.com/watch?v=2J8vesV5fRU> (Year 2020).

(Continued)

(73) Assignee: **Henkel AG & Co. KGaA**, Duesseldorf (DE)

Primary Examiner — Brett Miller

Assistant Examiner — Rani J Abdallah

(74) *Attorney, Agent, or Firm* — Steven C. Bauman

(*) Notice: This patent is subject to a terminal disclaimer.

(57) **CLAIM**

(**) Term: **15 Years**

The ornamental design for a dispensing bottle, as shown and described.

(21) Appl. No.: **29/807,770**

DESCRIPTION

(22) Filed: **Sep. 14, 2021**

Related U.S. Application Data

(63) Continuation of application No. 29/718,430, filed on Dec. 24, 2019, now Pat. No. Des. 932,908.

(51) **LOC (13) Cl.** **09-01**

(52) **U.S. Cl.**

USPC **D9/516**; D9/550; D9/563; D9/574

(58) **Field of Classification Search**

USPC D9/500, 516, 521, 530, 536, 542, 544, D9/549, 550, 556, 558, 559, 562, 563,

(Continued)

(56) **References Cited**

U.S. PATENT DOCUMENTS

D184,593 S 11/1876 Curtice
1,602,391 A 10/1926 Creaver

(Continued)

The patent or application file contains at least one drawing executed in color. Copies of this patent or patent application publication with color drawing(s) will be provided by the Office upon request and payment of the necessary fee.

FIG. 1 is a front, top, and right side perspective view of a red dispensing bottle showing our new design;

FIG. 2 is a front view thereof;

FIG. 3 is a rear view thereof;

FIG. 4 is a left view thereof;

FIG. 5 is a right view thereof;

FIG. 6 is a top view thereof;

FIG. 7 is a bottom view thereof;

FIG. 8 is a front, top, and right side perspective view of a red dispensing bottle showing our new design according to another embodiment;

FIG. 9 is a front view thereof;

FIG. 10 is a rear view thereof;

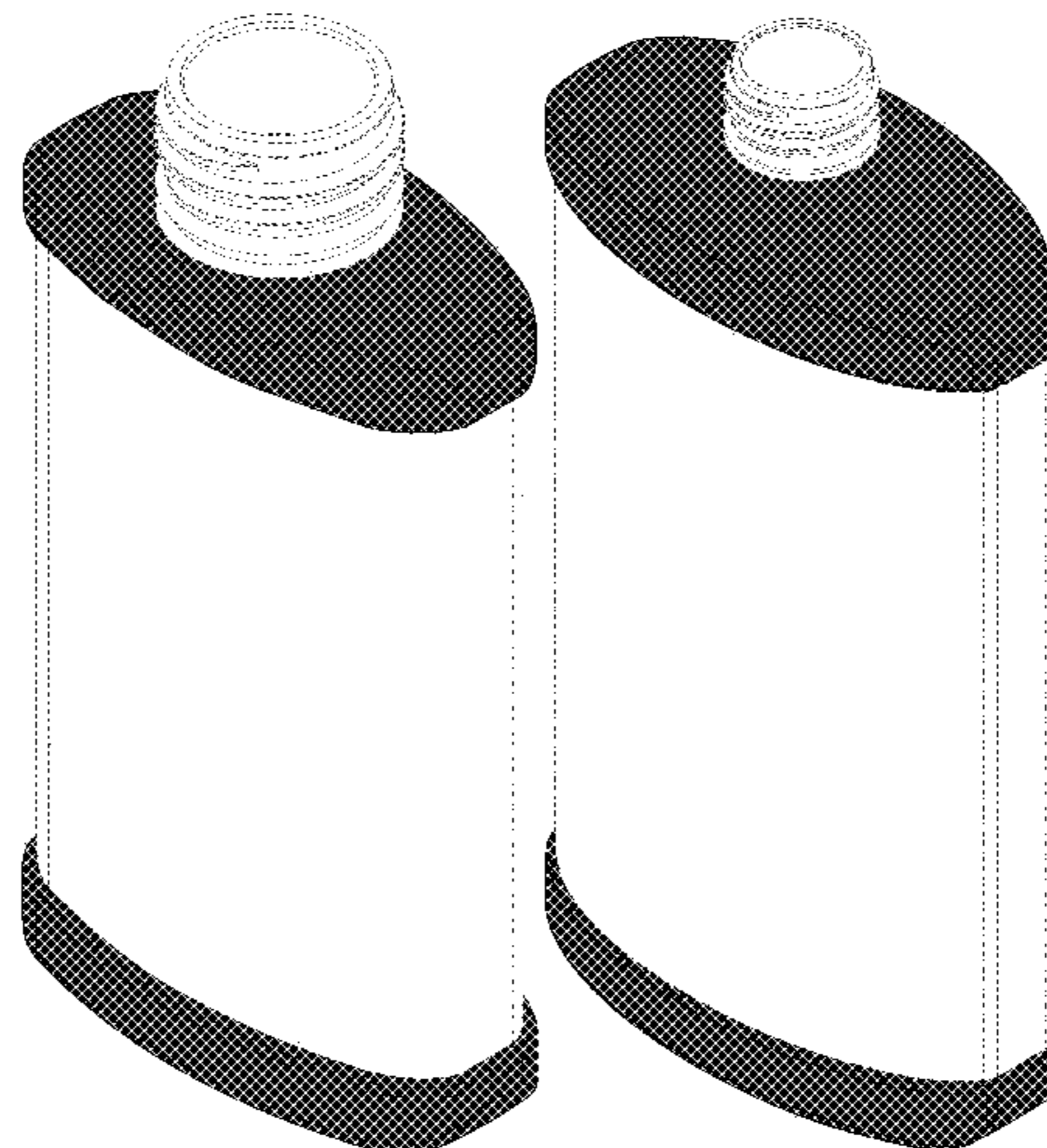
FIG. 11 is a left view thereof;

FIG. 12 is a right view thereof;

FIG. 13 is a top view thereof; and,

FIG. 14 is a bottom view thereof.

(Continued)



The broken lines depict environment and form no part of the claimed design.

**1 Claim, 10 Drawing Sheets
(10 of 10 Drawing Sheet(s) Filed in Color)**

(58) **Field of Classification Search**

USPC D9/565, 572, 573, 574, 575, 552, 560,
D9/571, 557; D4/114; D7/590

CPC B65D 1/0223; B65D 23/102; B65D
2501/0081; B65D 2501/0036; B65D
79/005; B65D 1/44; C08L 33/08; A61J
1/03; A61J 1/00

See application file for complete search history.

(56) **References Cited**

U.S. PATENT DOCUMENTS

D109,928 S	5/1938	Williams	
D176,975 S	2/1956	Chilton	
D254,773 S	4/1980	Kretz	
D260,367 S	8/1981	Grip	
D278,515 S	4/1985	Adams	
D279,261 S	6/1985	Blocksom	
D286,986 S	12/1986	Rader	
D290,342 S	6/1987	Lyons	
D309,714 S	8/1990	Biesecker	
D316,225 S	4/1991	Edstrom et al.	
D319,582 S	9/1991	Crawford	
D325,167 S *	4/1992	Humfress	D9/575
5,156,285 A	10/1992	Zogg et al.	
D333,435 S	2/1993	Blair	
D348,613 S	7/1994	Gonda	
D352,461 S *	11/1994	Flanagan	D9/542
5,435,451 A	7/1995	Dyer	
D367,010 S	2/1996	Moore	
D372,675 S	8/1996	Pollard	
D394,211 S	5/1998	Kuzma et al.	
6,129,802 A	10/2000	Key	

6,536,977 B1	3/2003	Hammel	
D505,078 S	5/2005	Fischer et al.	
6,913,405 B2	7/2005	Fischer et al.	
6,997,337 B1	2/2006	Wurster	
D528,429 S	9/2006	Bartel	
D529,814 S	10/2006	Winkler	
D533,456 S	12/2006	Schuller et al.	
D534,804 S *	1/2007	Muehlhausen	D9/575
D614,036 S	4/2010	Gedanke	
D619,471 S	7/2010	Graunstadt	
D932,907 S *	10/2021	Cox	D9/563
D932,908 S *	10/2021	Cox	D9/563
D932,909 S *	10/2021	Cox	D9/563
D932,910 S *	10/2021	Cox	D9/563
D932,911 S *	10/2021	Cox	D9/563
D932,912 S *	10/2021	Cox	D9/563
D932,913 S *	10/2021	Cox	D9/563
D932,914 S *	10/2021	Cox	D9/563
D932,915 S *	10/2021	Cox	D9/563
D932,916 S *	10/2021	Cox	D9/563
D932,919 S *	10/2021	Cox	D9/563
D934,083 S *	10/2021	Cox	D9/563
D938,281 S *	12/2021	Pham	D9/563
2001/0022291 A1	9/2001	Shimada et al.	
2005/0189314 A1	9/2005	Carbone	
2007/0090083 A1	10/2007	Trude	
2009/0255893 A1	10/2009	Zummo et al.	
2013/0008913 A1	1/2013	Boukobza	
2015/0158620 A1	6/2015	Sekiguchi et al.	
2020/0198826 A1	6/2020	Koy et al.	

FOREIGN PATENT DOCUMENTS

KR	300423334.0000	8/2006
KR	3020180001616	12/2018

OTHER PUBLICATIONS

New Packing, Feb. 28, 2020, Henkel website post, U RL:https://www.henkel-adhesives.com/uk/en/product/threadlockers/loctite_222.html (Year: 2020).

* cited by examiner

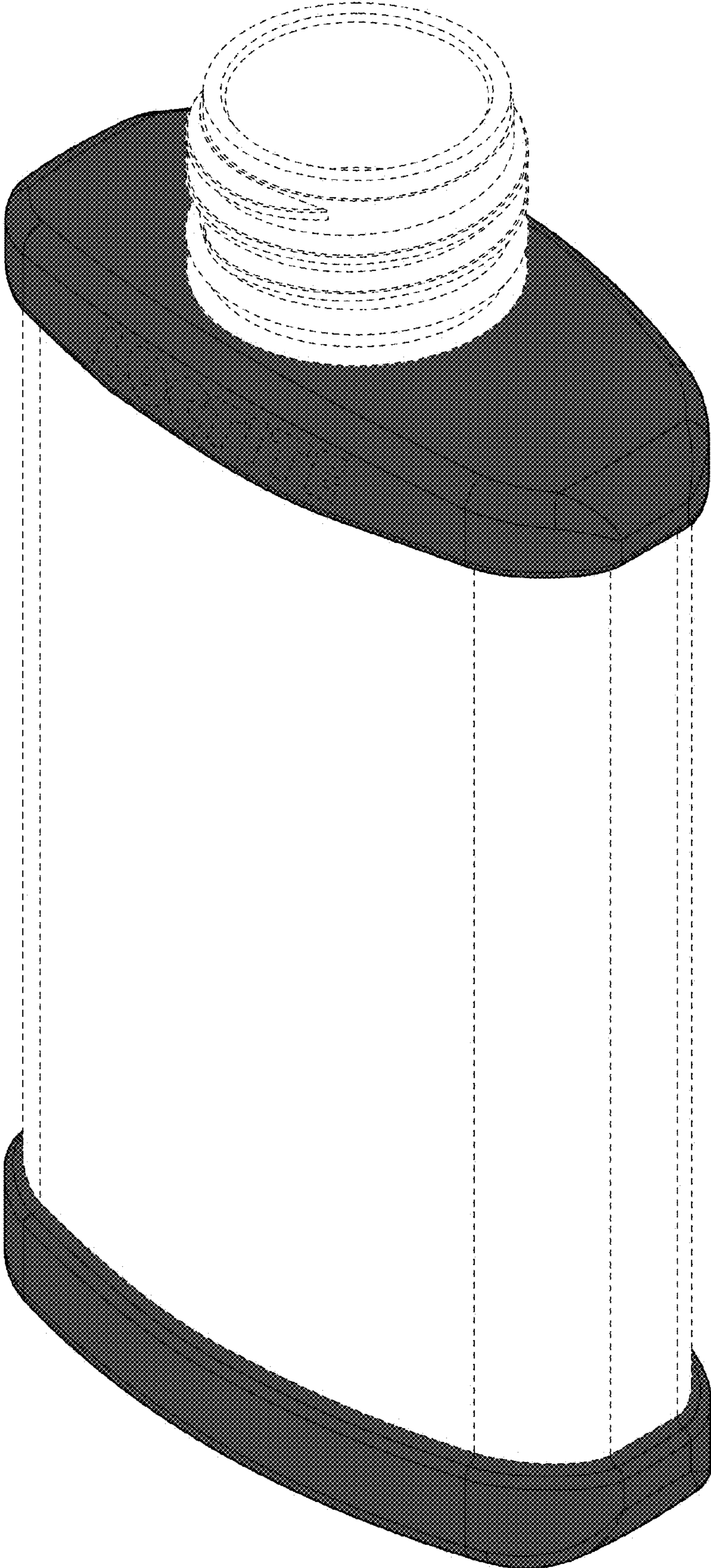


FIG. 1

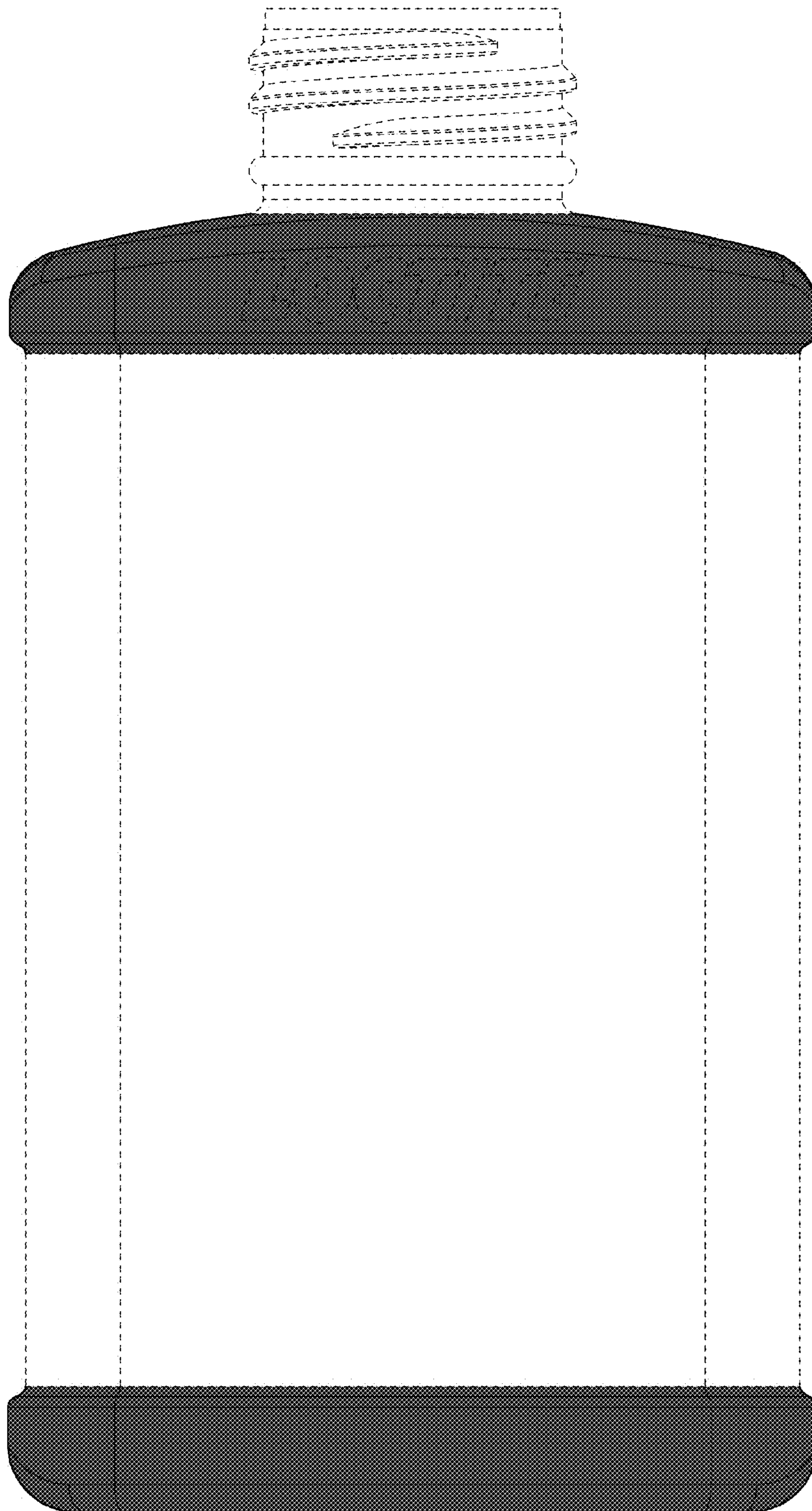


FIG. 2

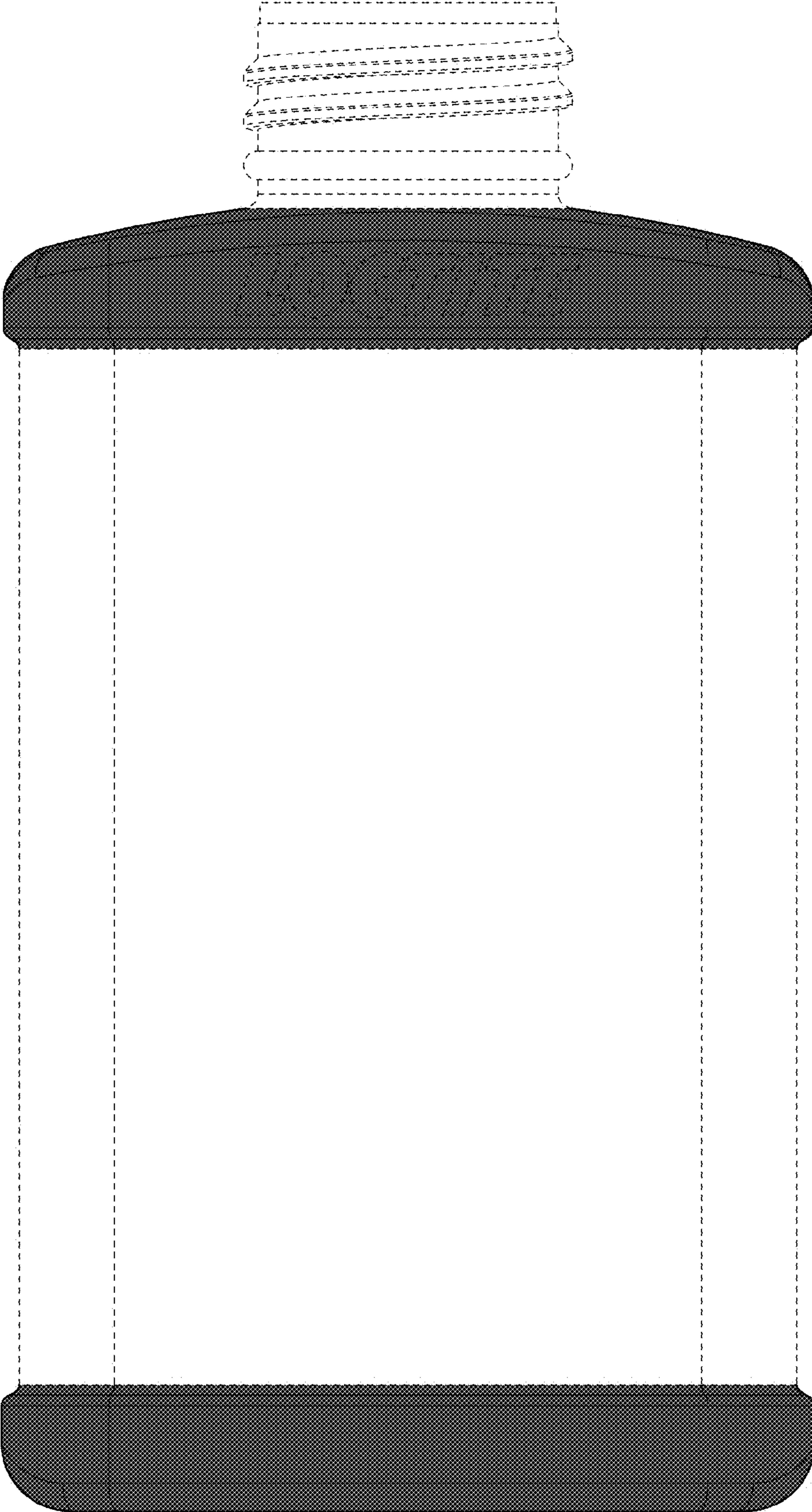


FIG. 3



FIG. 4

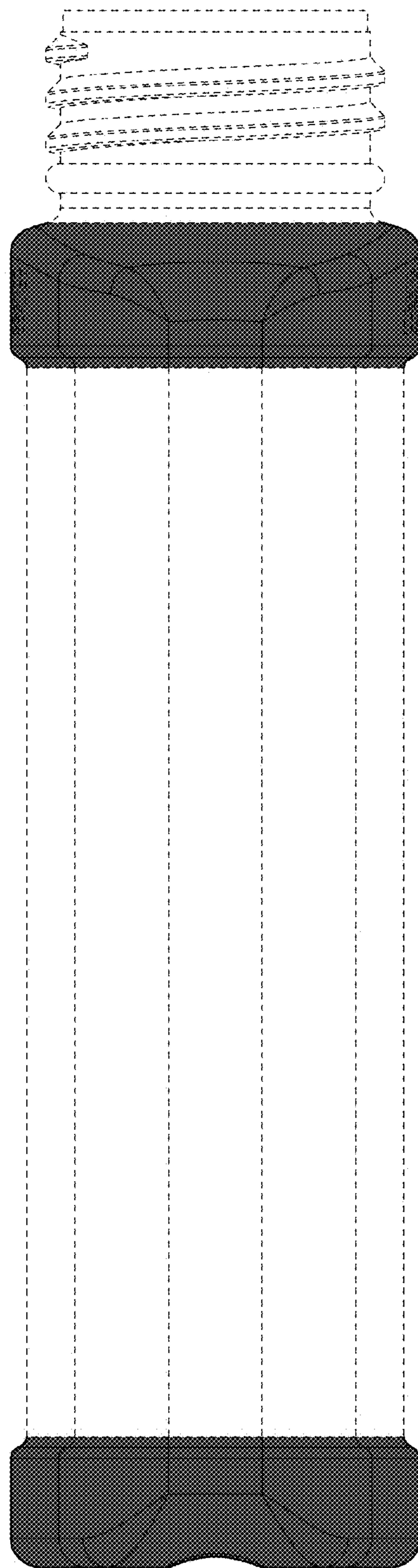


FIG. 5

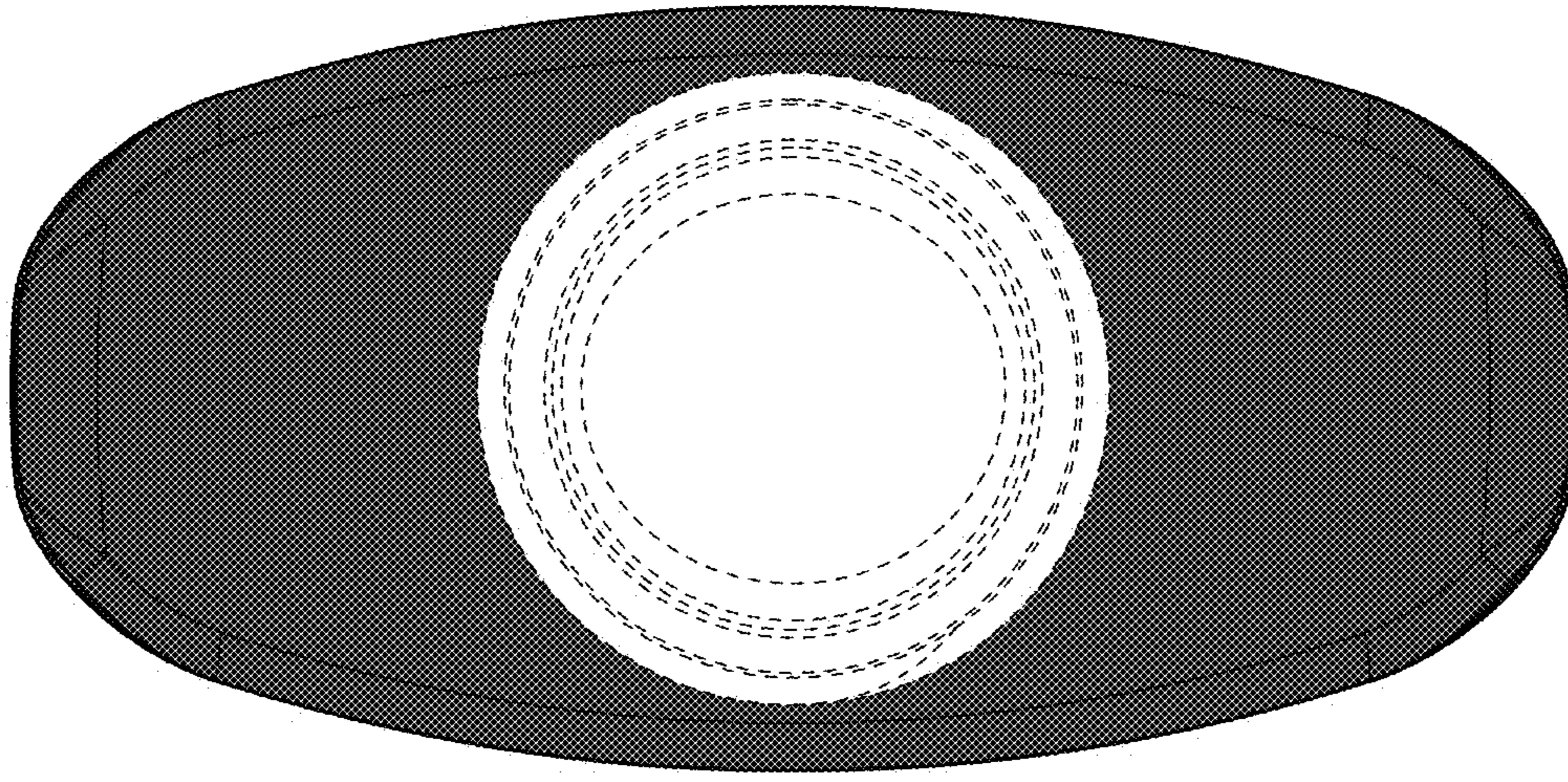


FIG. 6

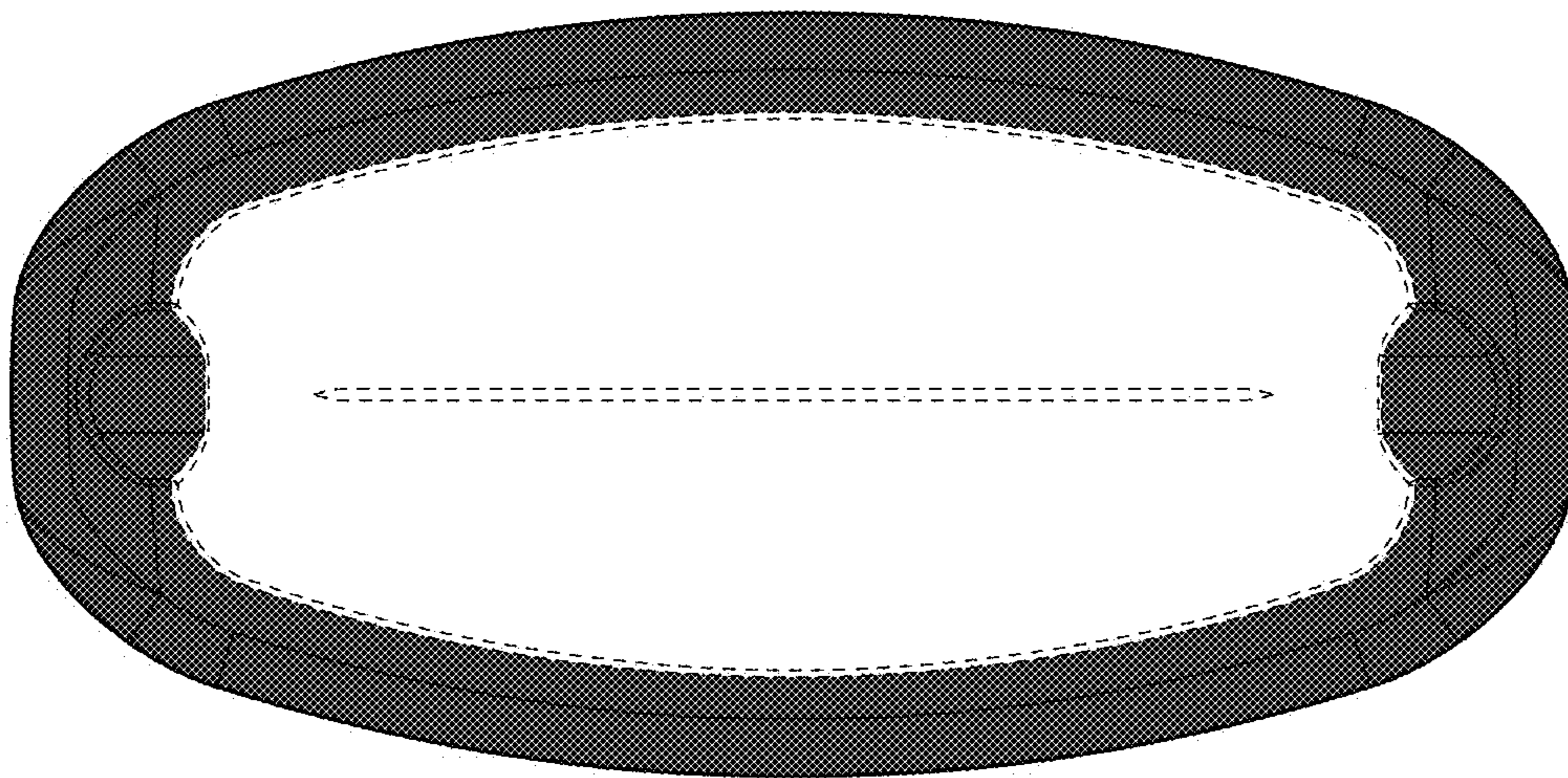


FIG. 7

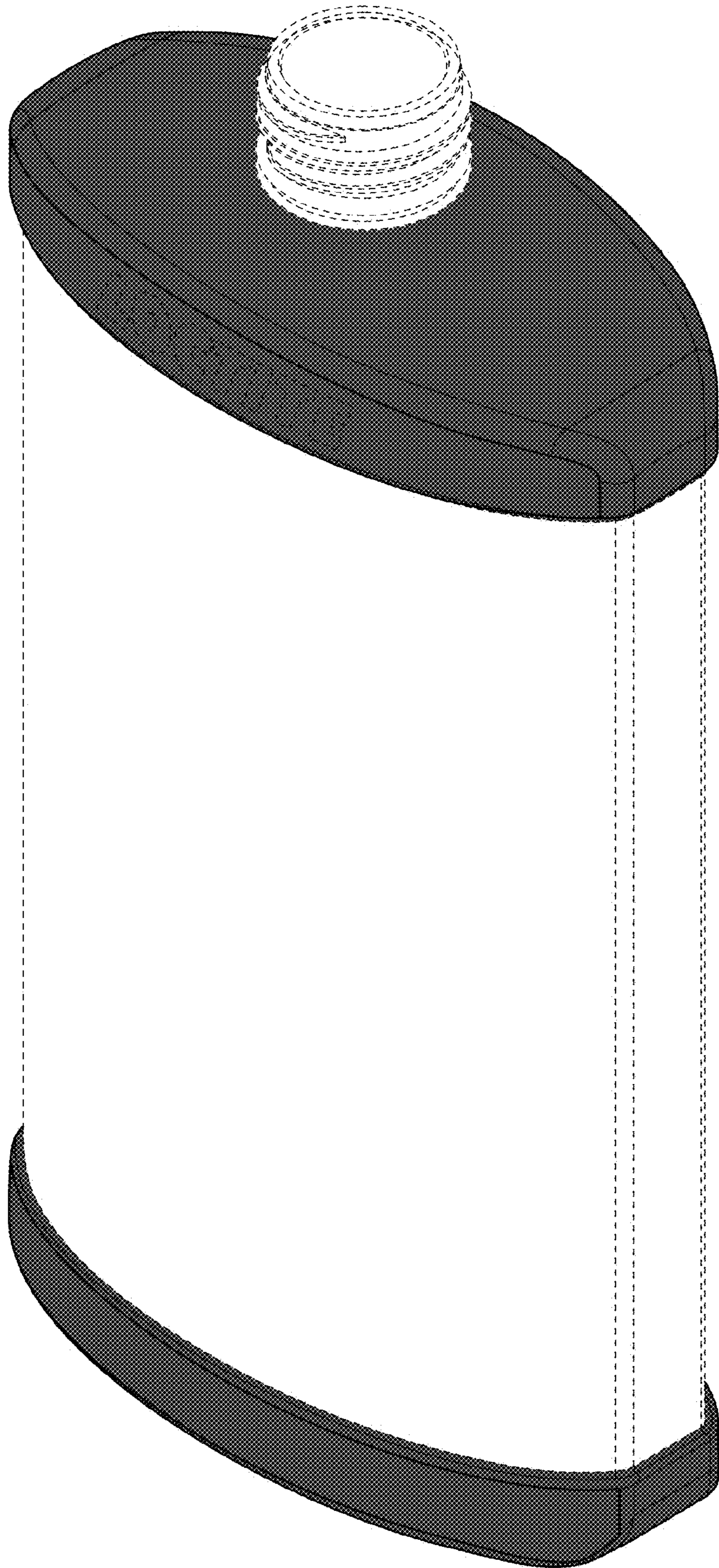


FIG. 8

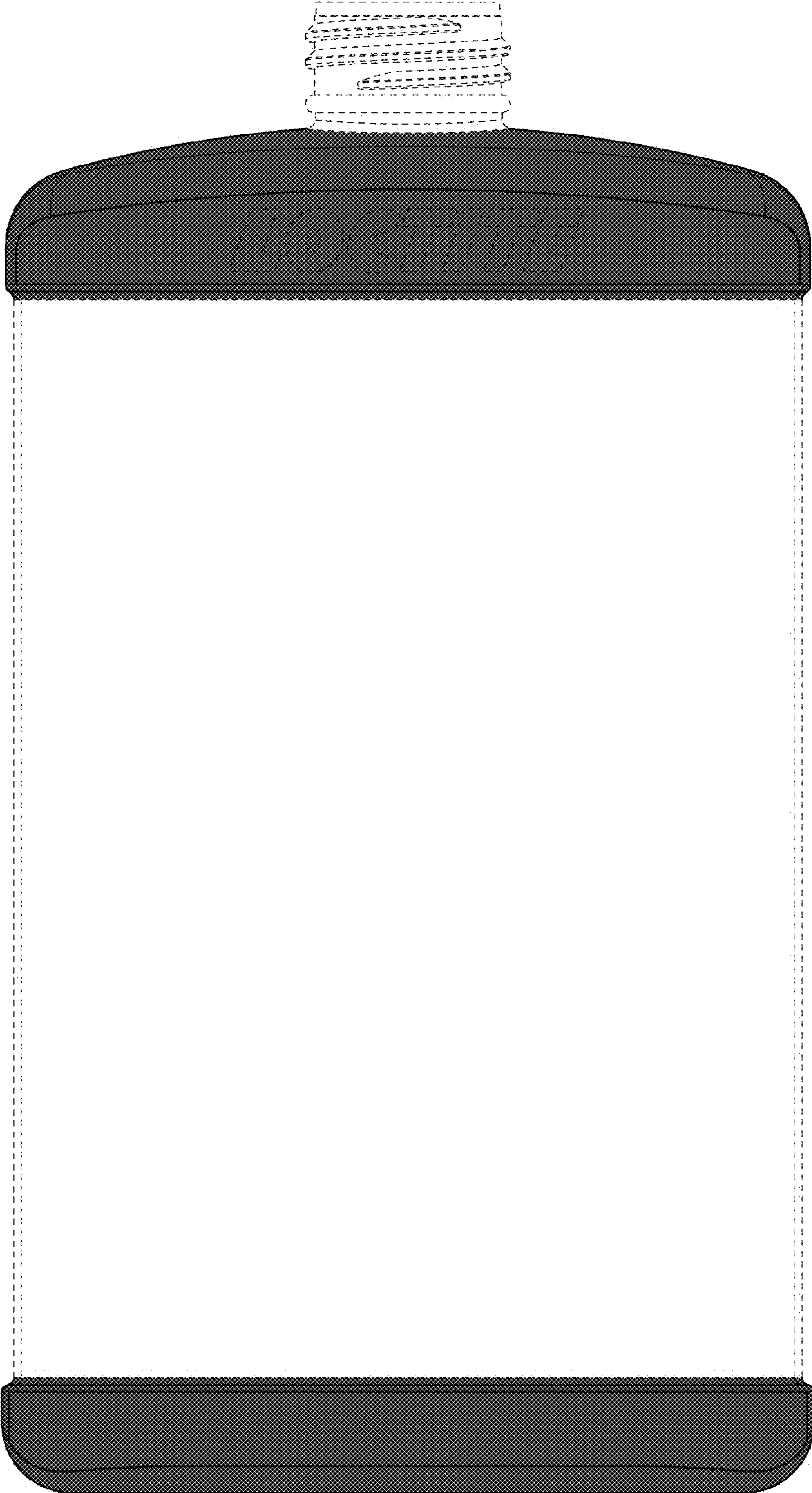


FIG. 9



FIG. 10

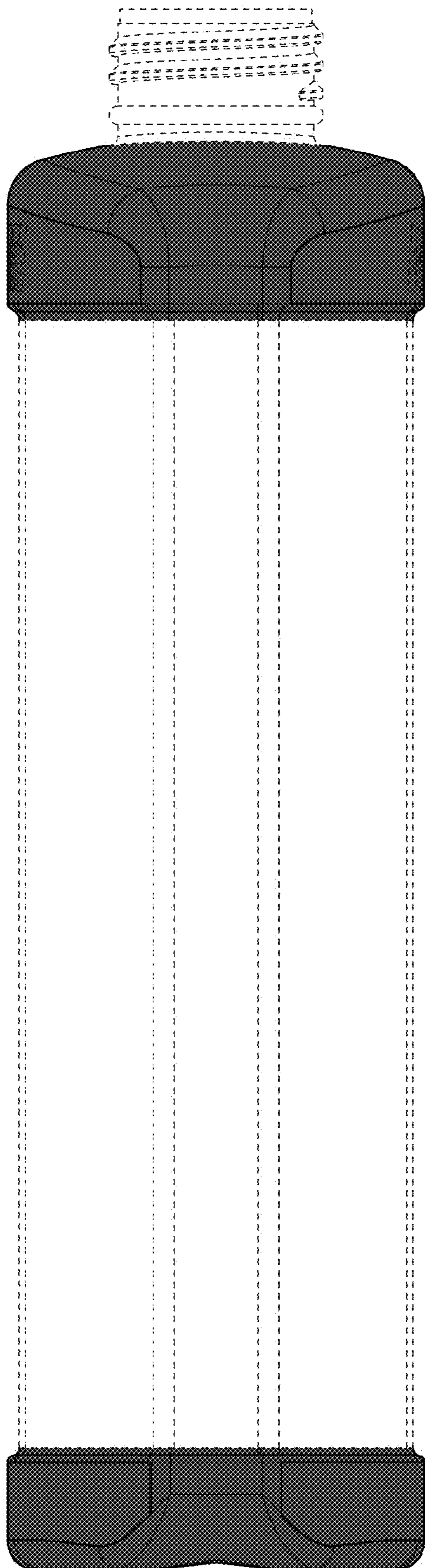


FIG. 11

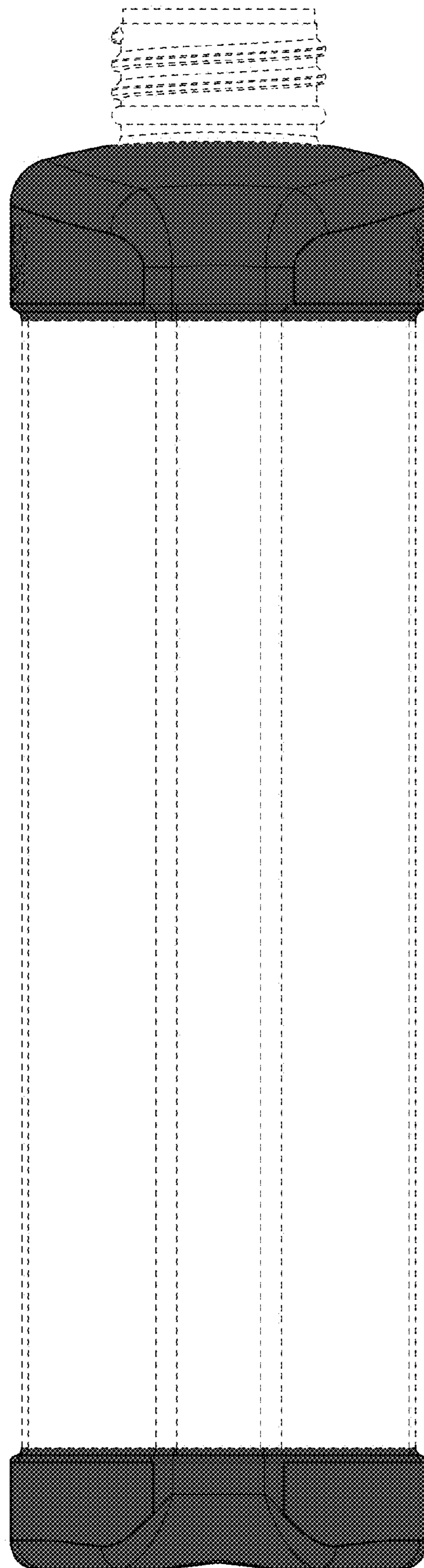


FIG. 12

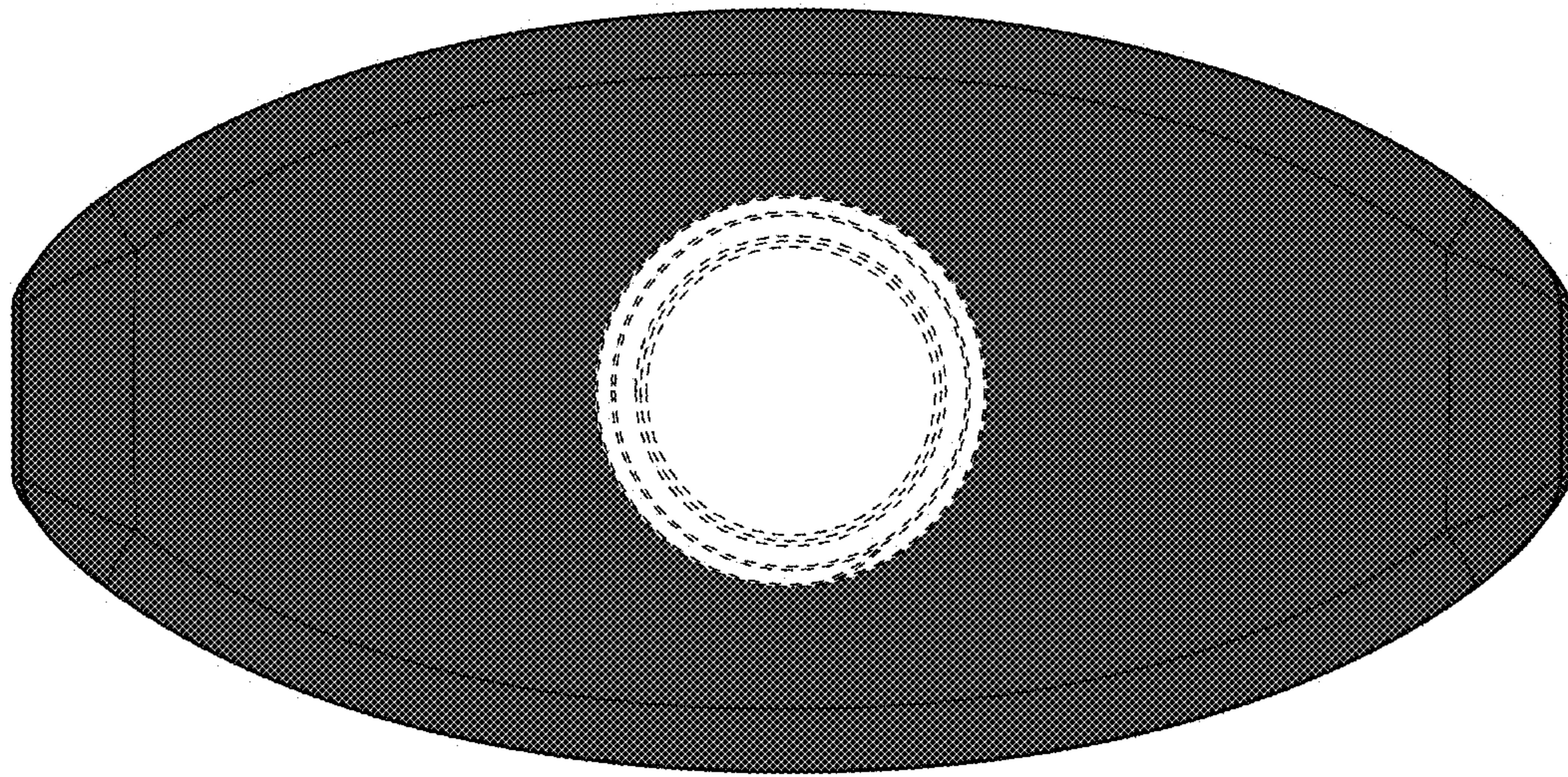


FIG. 13

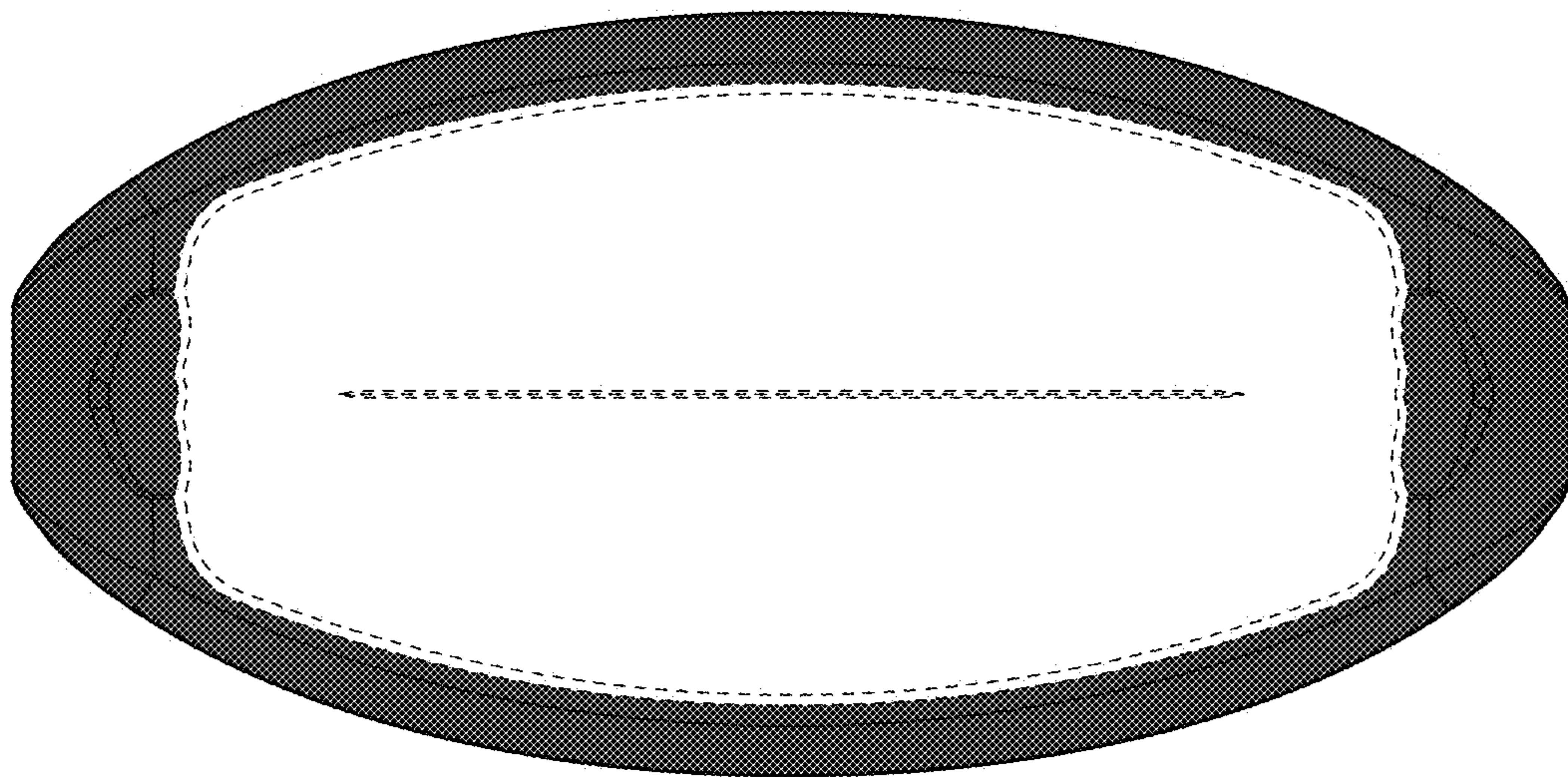


FIG. 14