



US00D961390S

(12) **United States Design Patent**
Cox et al.

(10) **Patent No.: US D961,390 S**
(45) **Date of Patent: ** *Aug. 23, 2022**

(54) **DISPENSING BOTTLE**

FOREIGN PATENT DOCUMENTS

(71) Applicant: **Henkel AG & Co. KGaA**, Duesseldorf (DE)

CN 303205468 5/2015
CN 305193695 6/2019

(Continued)

(72) Inventors: **Peter Cox**, Dublin (IE); **Glenn Doogan**, Dublin (IE); **Peter O’Sullivan**, Dublin (IE); **Jason Tilk**, Cleveland Heights, OH (US); **Maynard Payumo**, Parma, OH (US)

OTHER PUBLICATIONS

Loctite, Jul. 15, 2020, Loctite Youtube Page Video Post, URL:<https://www.youtube.com/watch?v=2J8vesV5fRU> (Year 2020).

(Continued)

(73) Assignee: **Henkel AG & Co. KGaA**, Duesseldorf (DE)

Primary Examiner — Brett Miller

Assistant Examiner — Rani J Abdallah

(74) *Attorney, Agent, or Firm* — Steven C. Bauman

(*) Notice: This patent is subject to a terminal disclaimer.

(**) Term: **15 Years**

(57) **CLAIM**

The ornamental design for a dispensing bottle, as shown and described.

(21) Appl. No.: **29/807,769**

(22) Filed: **Sep. 14, 2021**

DESCRIPTION

Related U.S. Application Data

(63) Continuation of application No. 29/718,432, filed on Dec. 24, 2019, now Pat. No. Des. 932,909.

(51) **LOC (13) Cl.** **09-01**

(52) **U.S. Cl.**
USPC **D9/516**; D9/550; D9/563; D9/574

(58) **Field of Classification Search**
USPC D9/500, 516, 521, 530, 536, 542, 544, D9/549, 550, 556, 558, 559, 562, 563,
(Continued)

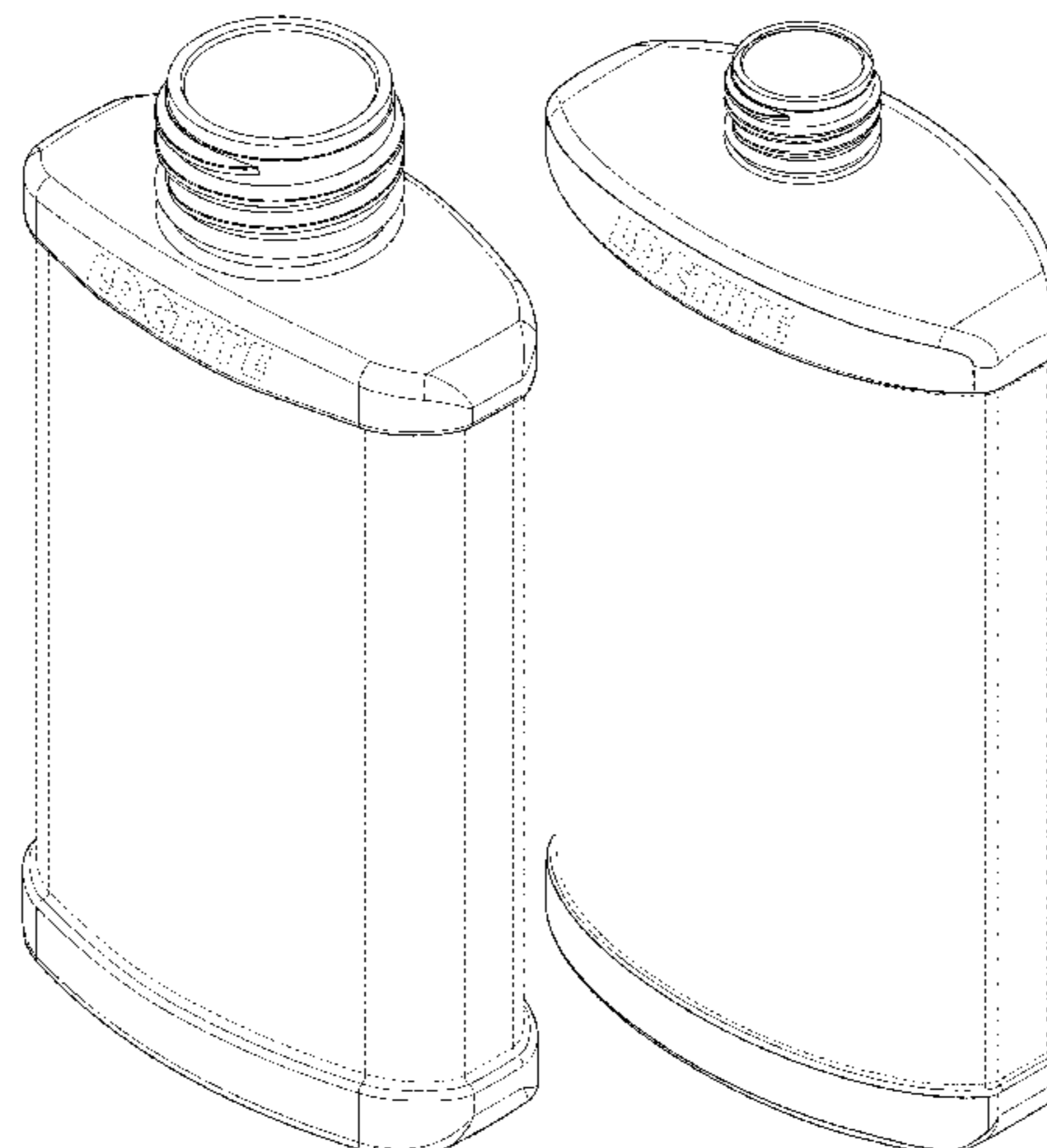
FIG. 1 is a front, top, and right side perspective view of a red dispensing bottle showing our new design, where the entirety of the claimed surfaces appear at Pantone No. 187C; FIG. 2 is a front view thereof; FIG. 3 is a rear view thereof; FIG. 4 is a left view thereof; FIG. 5 is a right view thereof; FIG. 6 is a top view thereof; FIG. 7 is a bottom view thereof; FIG. 8 is a front, top, and right side perspective view of a red dispensing bottle showing our new design according to another embodiment, where the entirety of the claimed surfaces appear at Pantone No. 187C; FIG. 9 is a front view thereof; FIG. 10 is a rear view thereof; FIG. 11 is a left view thereof; FIG. 12 is a right view thereof; FIG. 13 is a top view thereof; and, FIG. 14 is a bottom view thereof.

(Continued)

(56) **References Cited**

U.S. PATENT DOCUMENTS

D184,593 S 11/1876 Curtice
1,602,391 A 10/1926 Creaver
(Continued)



The broken lines depict environment and form no part of the claimed design.

1 Claim, 10 Drawing Sheets

(58) **Field of Classification Search**

USPC D9/565, 572, 573, 574, 575, 552, 560,
D9/571, 557; D4/114; D7/590
CPC B65D 1/0223; B65D 23/102; B65D
2501/0081; B65D 2501/0036; B65D
79/005; B65D 1/44; C08L 33/08; A61J
1/03; A61J 1/00

See application file for complete search history.

(56) **References Cited**

U.S. PATENT DOCUMENTS

D109,928 S	5/1938	Williams	
D176,975 S	2/1956	Chilton	
D254,773 S	4/1980	Kretz	
D260,367 S	8/1981	Grip	
D278,515 S	4/1985	Adams	
D279,261 S	6/1985	Blocksom	
D286,986 S	12/1986	Rader	
D290,342 S	6/1987	Lyons	
D309,714 S	8/1990	Biesecker	
D316,225 S	4/1991	Edstrom et al.	
D319,582 S	9/1991	Crawford	
D325,167 S *	4/1992	Humfress	D9/575
5,156,285 A	10/1992	Zogg et al.	
D333,435 S	2/1993	Blair	
D348,613 S	7/1994	Gonda	
D352,461 S *	11/1994	Flanagan	D9/542
5,435,451 A	7/1995	Dyer	
D367,010 S	2/1996	Moore	
D372,675 S	8/1996	Pollard	
D394,211 S	5/1998	Kuzma et al.	
6,129,802 A	10/2000	Key	
6,536,977 B1	3/2003	Hammel	

D505,078 S	5/2005	Fischer et al.	
6,913,405 B2	7/2005	Fischer et al.	
6,997,337 B1	2/2006	Wurster	
D528,429 S	9/2006	Bartel	
D529,814 S	10/2006	Winkler	
D533,456 S	12/2006	Schuller et al.	
D534,804 S *	1/2007	Muehlhausen	D9/575
D614,036 S	4/2010	Gedanke	
D619,471 S	7/2010	Graunstadt	
D932,907 S *	10/2021	Cox	D9/563
D932,908 S *	10/2021	Cox	D9/563
D932,909 S *	10/2021	Cox	D9/563
D932,910 S *	10/2021	Cox	D9/563
D932,911 S *	10/2021	Cox	D9/563
D932,912 S *	10/2021	Cox	D9/563
D932,913 S *	10/2021	Cox	D9/563
D932,914 S *	10/2021	Cox	D9/563
D932,915 S *	10/2021	Cox	D9/563
D932,916 S *	10/2021	Cox	D9/563
D932,919 S *	10/2021	Cox	D9/563
D934,083 S *	10/2021	Cox	D9/563
D938,281 S *	12/2021	Pham	D9/563
2001/0022291 A1	9/2001	Shimada et al.	
2005/0189314 A1	9/2005	Carbone	
2007/0090083 A1	10/2007	Trude	
2009/0255893 A1	10/2009	Zummo et al.	
2013/0008913 A1	1/2013	Boukobza	
2015/0158620 A1	6/2015	Sekiguchi et al.	
2020/0198826 A1	6/2020	Koy et al.	

FOREIGN PATENT DOCUMENTS

KR	300423334.0000	8/2006
KR	3020180001616	12/2018

OTHER PUBLICATIONS

New Packing, Feb. 28, 2020, Henkel website post, U RL:https://www.henkel-adhesives.com/uk/en/product/threadlockers/loctite_222.html (Year: 2020).

* cited by examiner

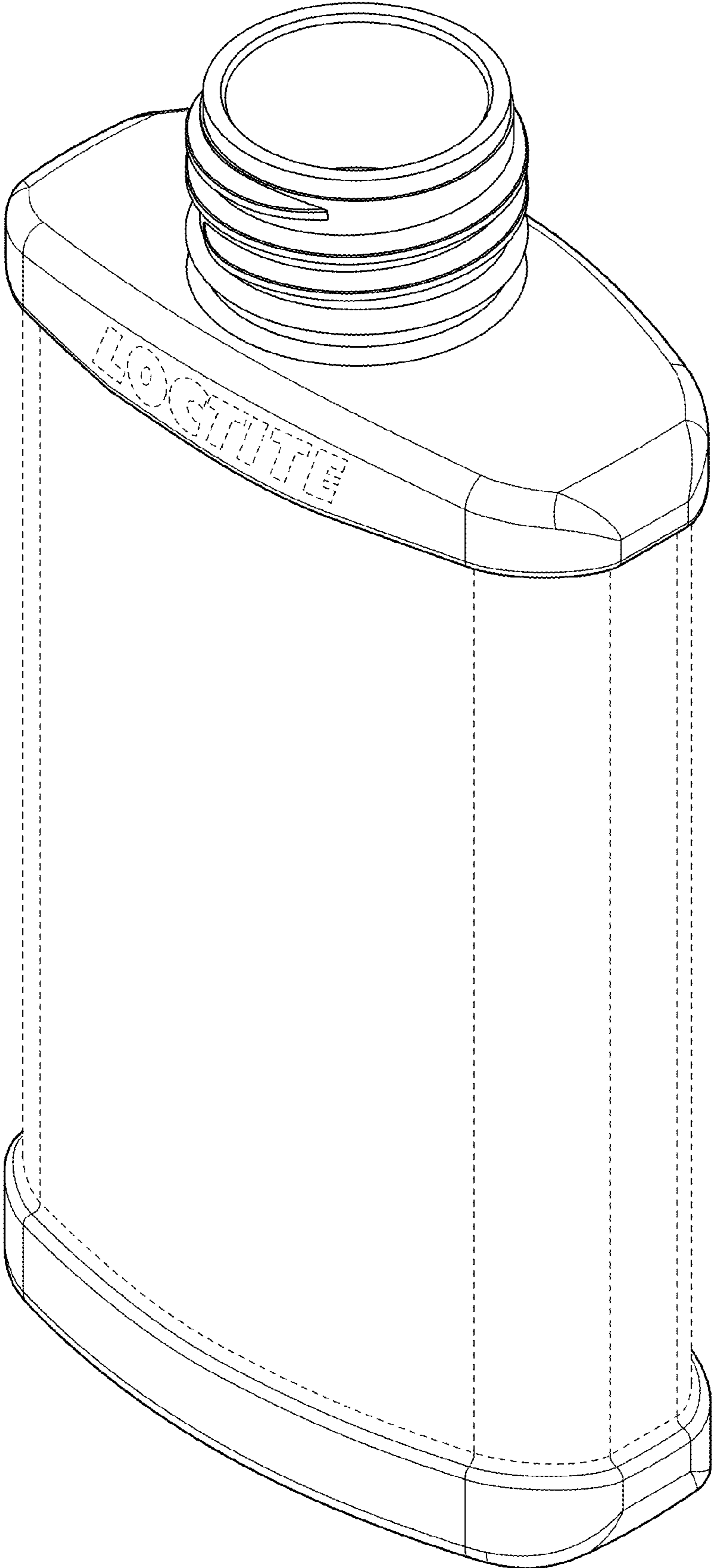


FIG. 1

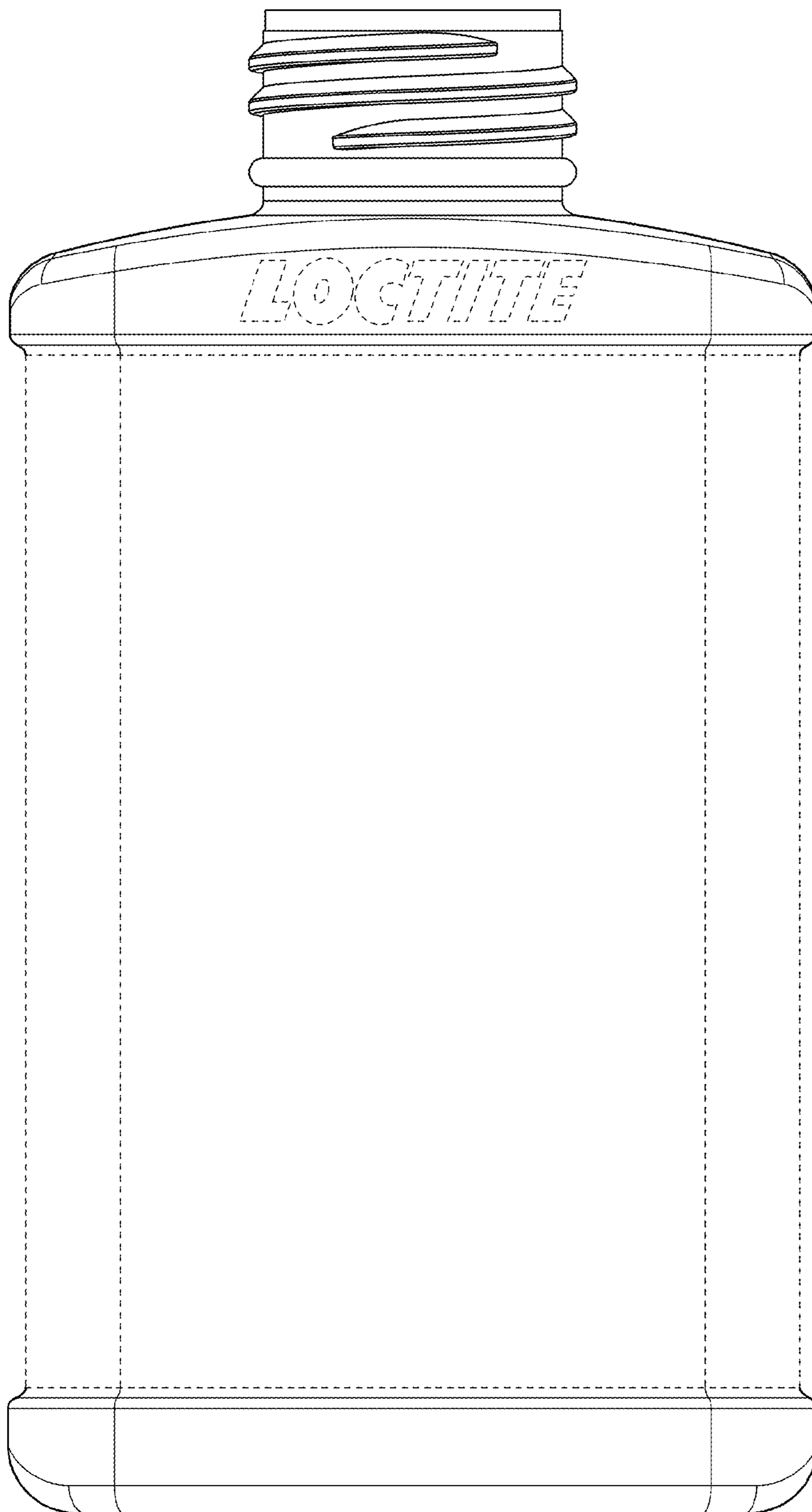


FIG. 2

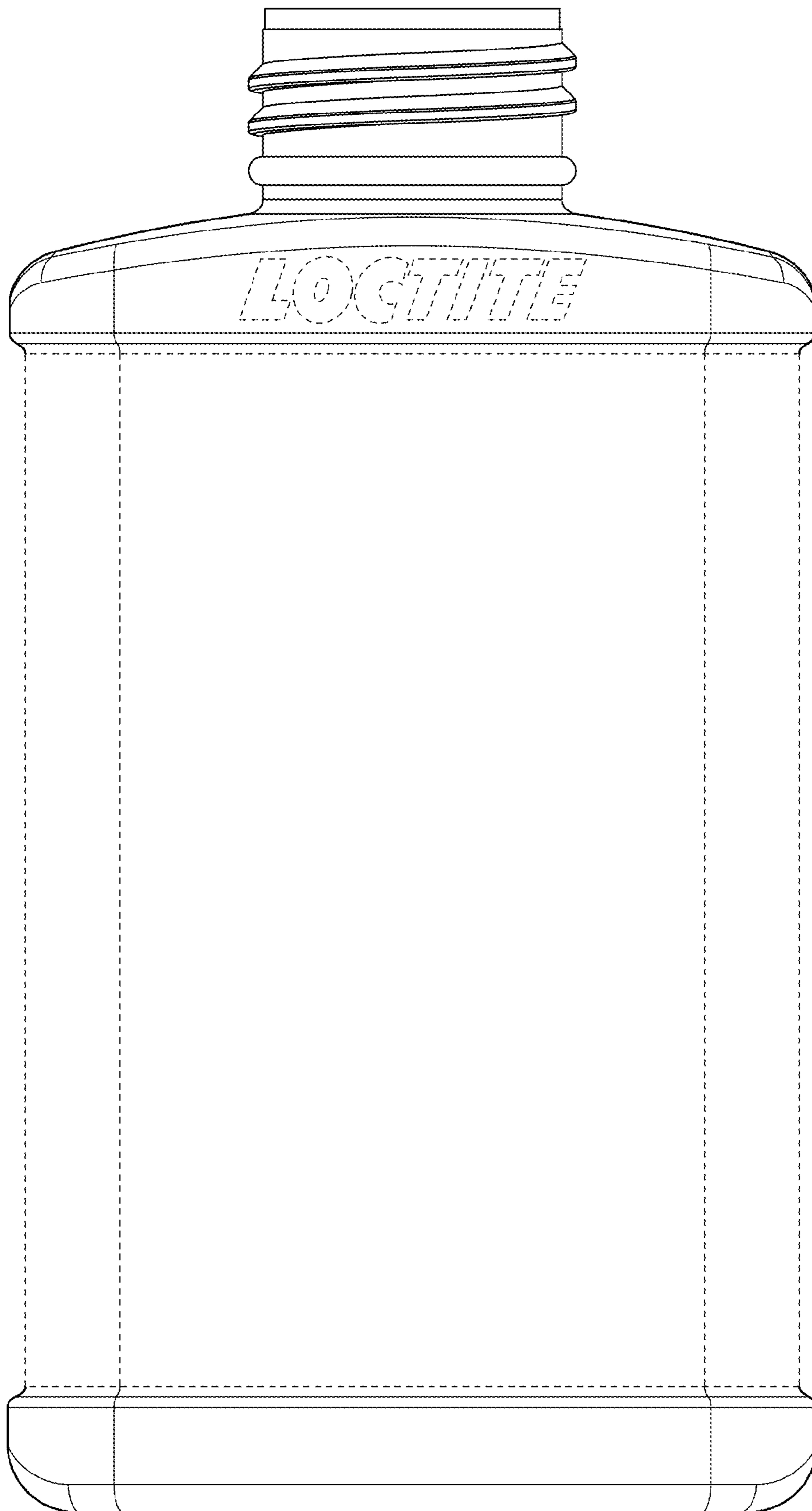


FIG. 3

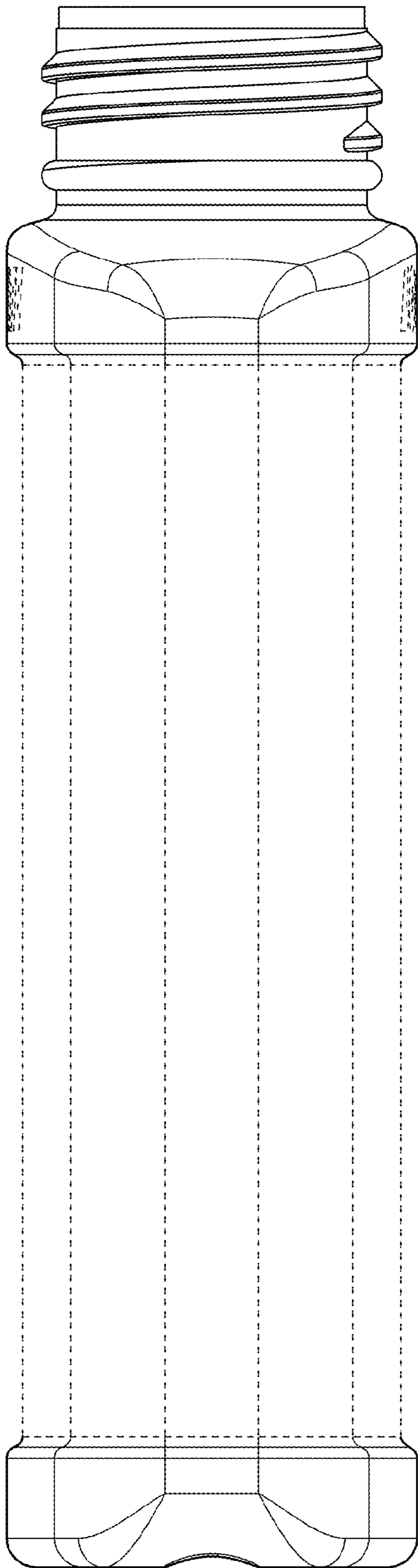


FIG. 4

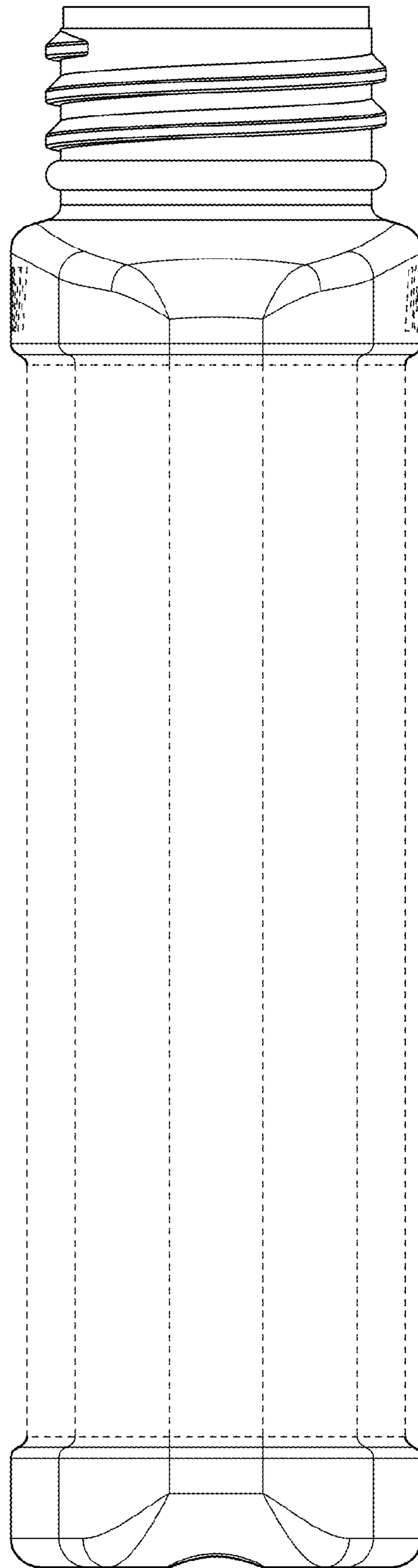


FIG. 5

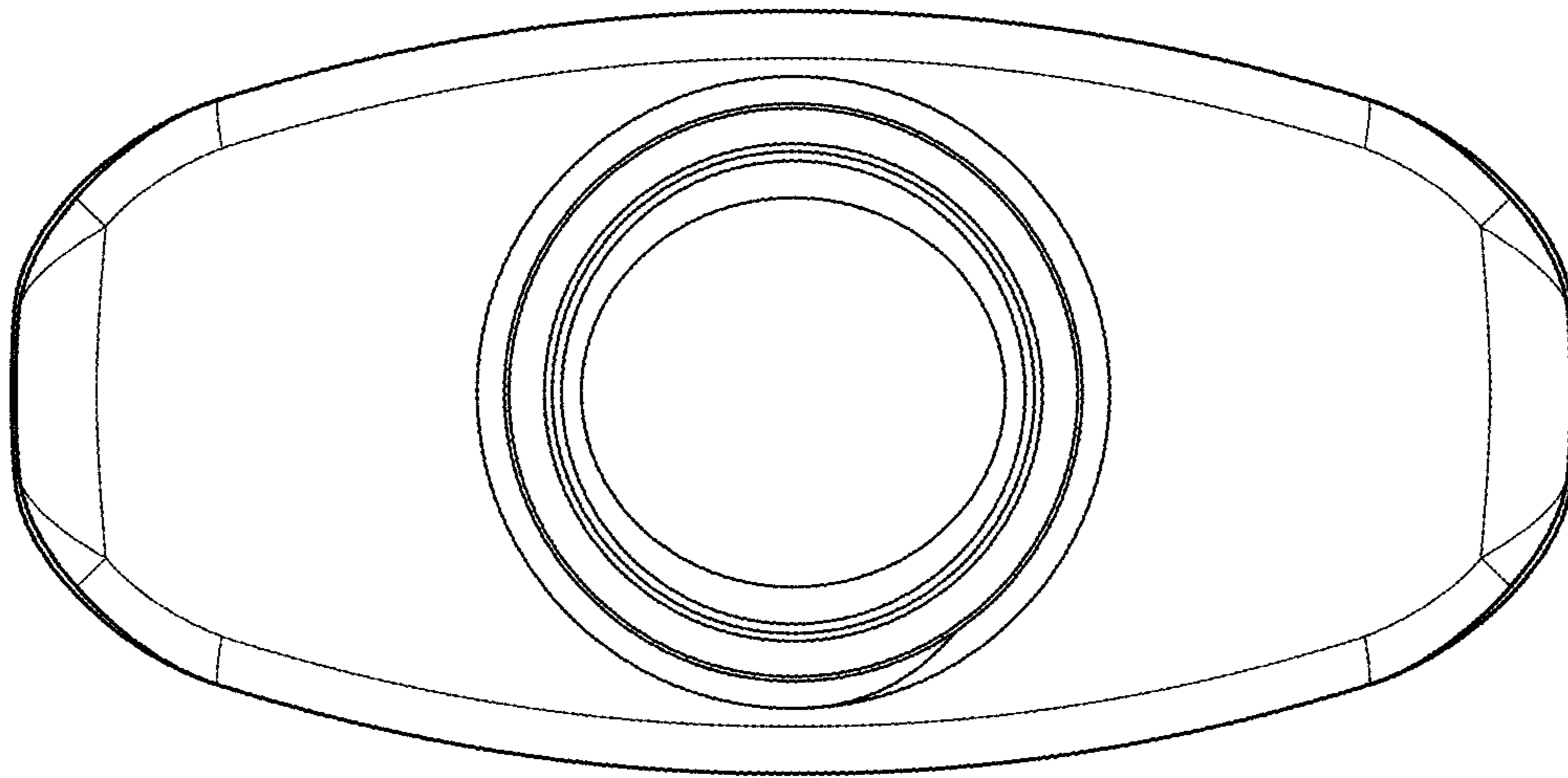


FIG. 6

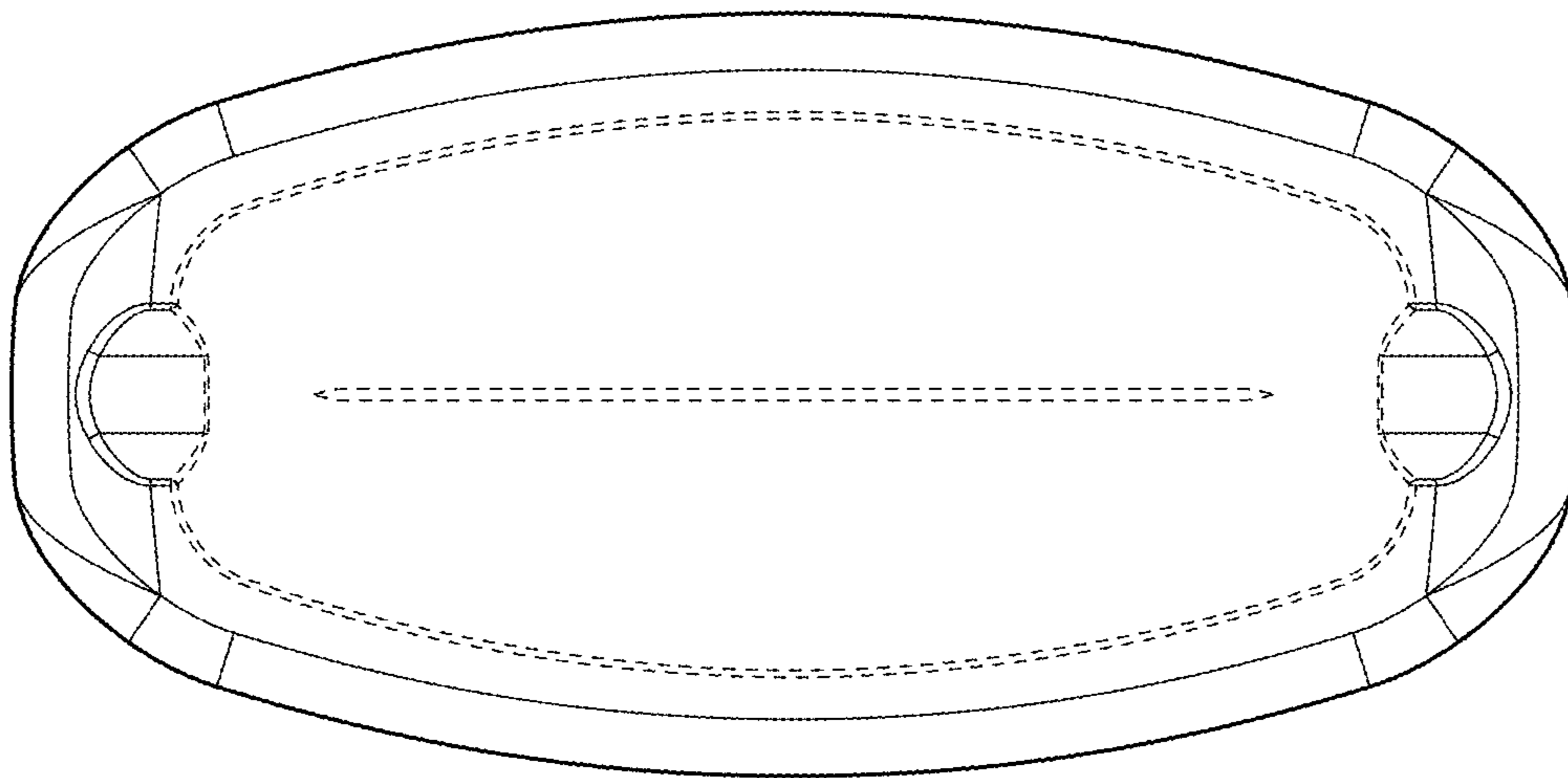


FIG. 7

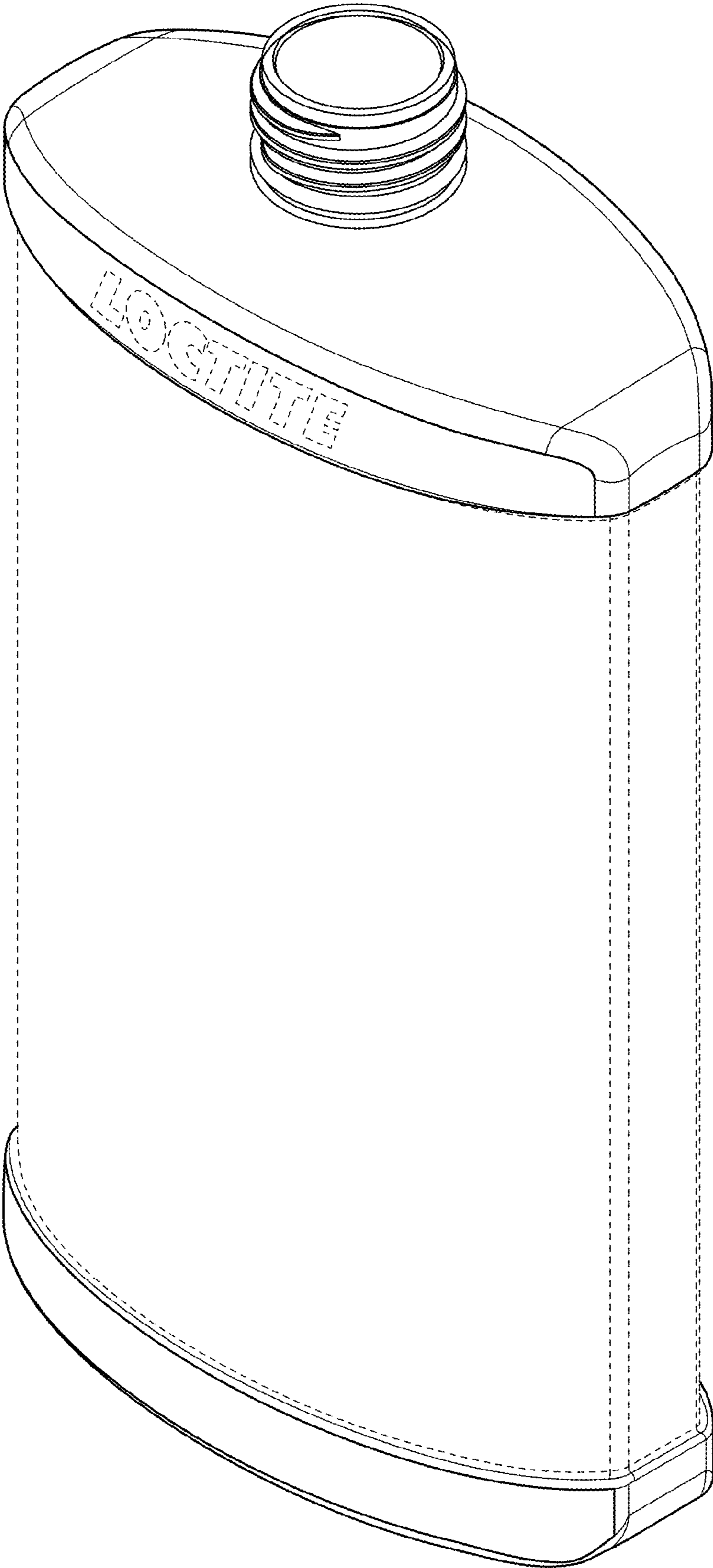


FIG. 8



FIG. 9



FIG. 10

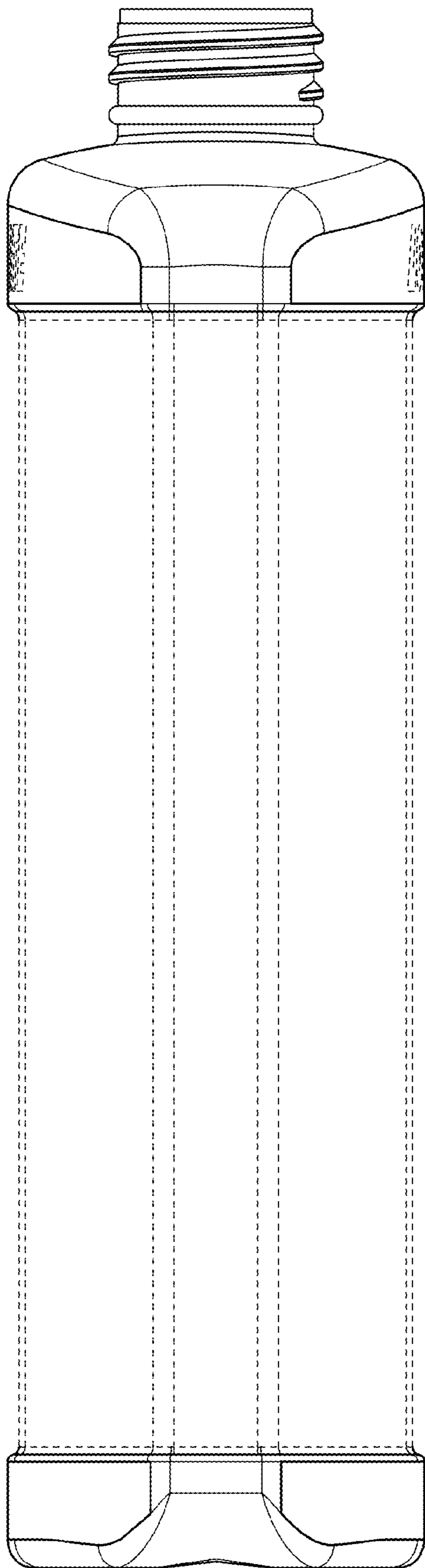


FIG. 11

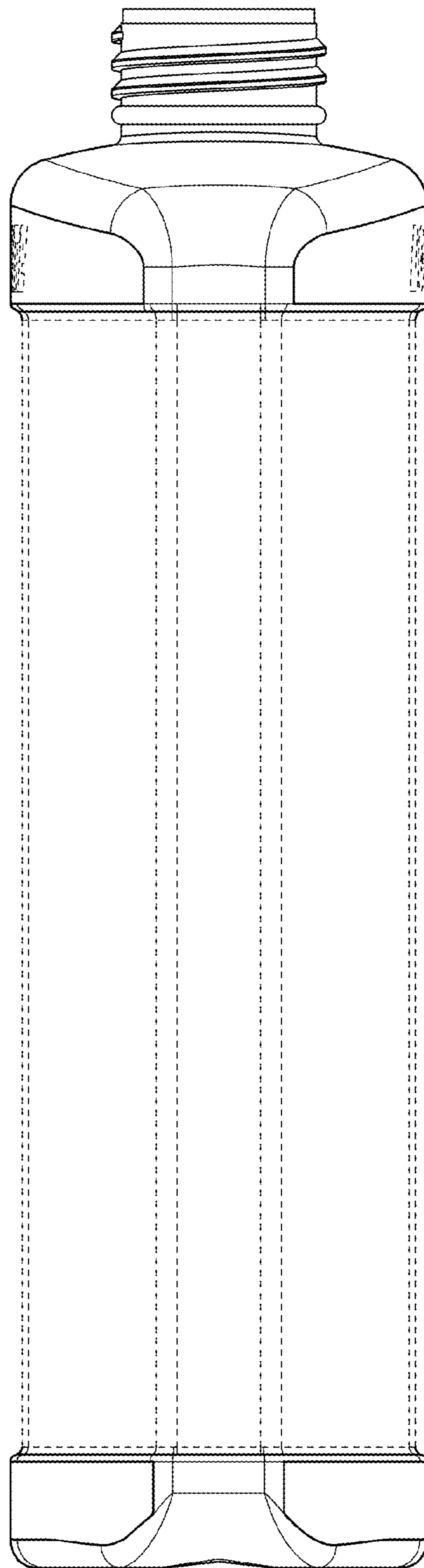


FIG. 12

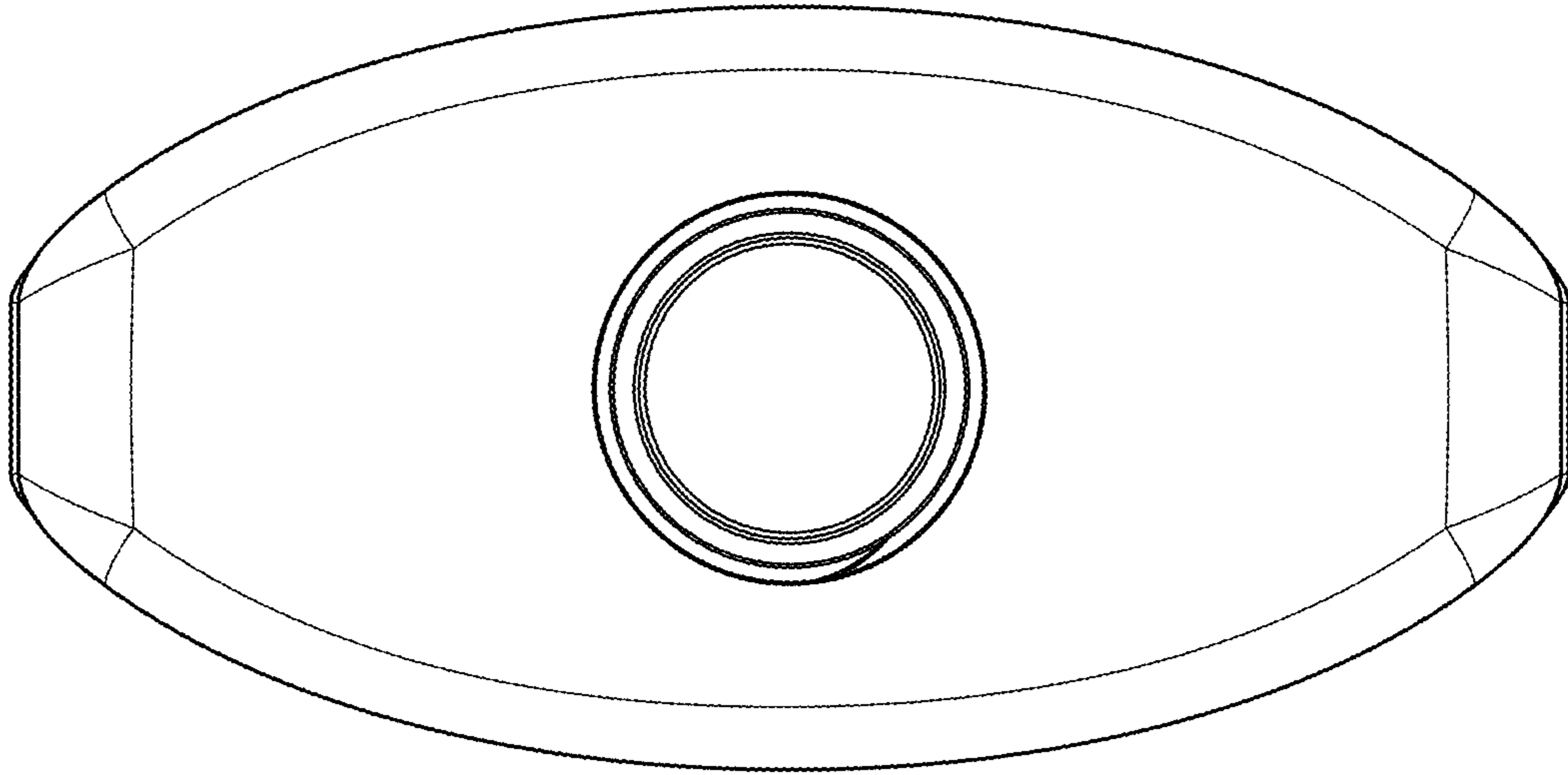


FIG. 13

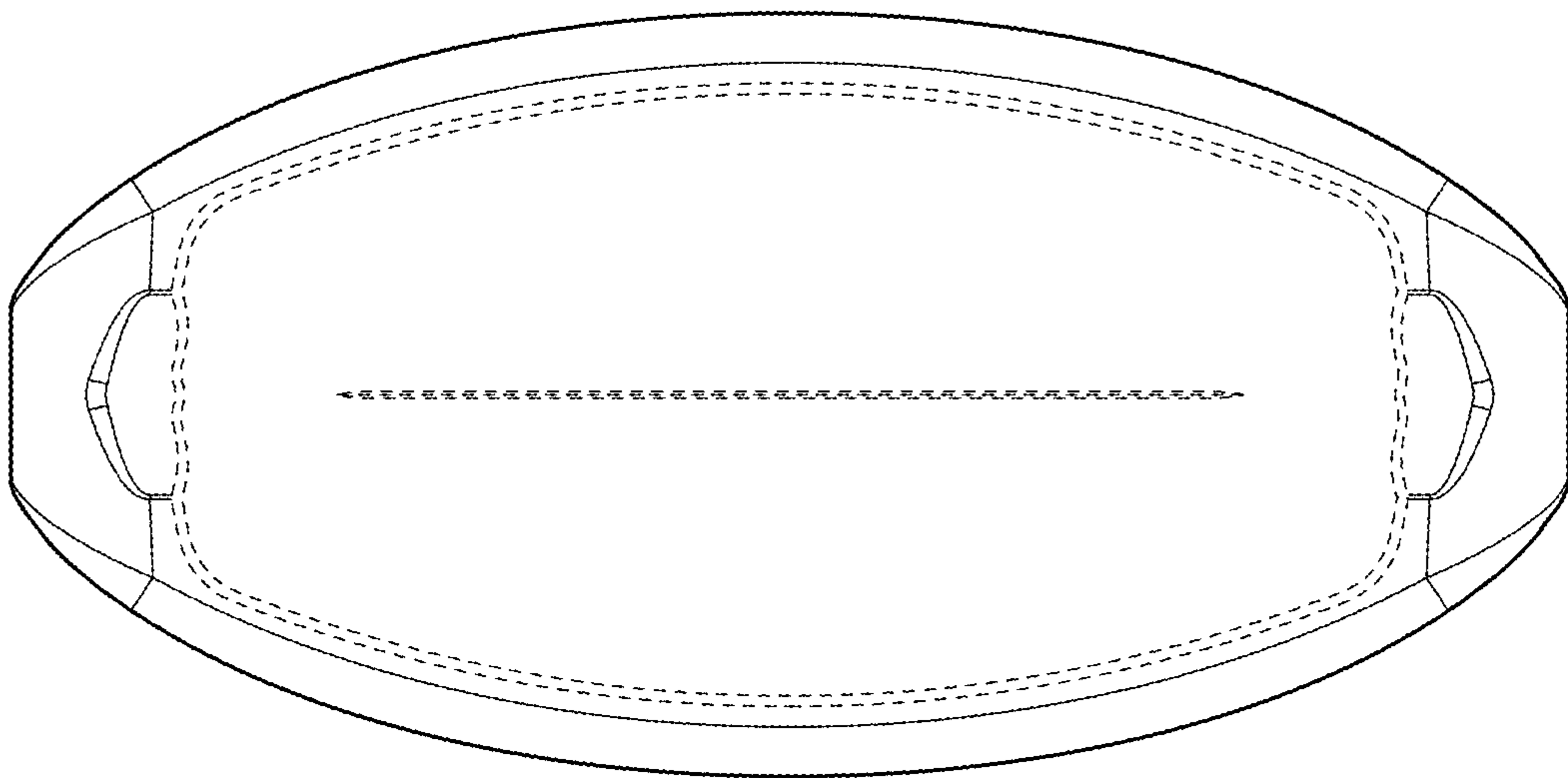


FIG. 14