



US00D961389S

(12) **United States Design Patent** (10) **Patent No.:** **US D961,389 S**
Smarrelli, Jr. (45) **Date of Patent:** **** Aug. 23, 2022**

(54) **CONTAINER** 5,833,115 A * 11/1998 Eiten B65D 1/0223
220/669
(71) Applicant: **Altium Packaging LP**, Atlanta, GA D415,035 S * 10/1999 Ankney D9/531
(US) D418,423 S 1/2000 Lauth, III et al.
6,527,133 B1 * 3/2003 McCollum B65D 1/0223
215/382
(72) Inventor: **Joseph Anthony Smarrelli, Jr.**, New D511,462 S 11/2005 Haley et al.
Castle, PA (US) D512,320 S 12/2005 Haley et al.
D515,932 S 2/2006 Sinclair et al.
(73) Assignee: **Altium Packaging LP**, Atlanta, GA 7,137,521 B2 11/2006 Yourist
(US) D604,623 S 11/2009 Baker, III
7,699,171 B2 4/2010 Rivera et al.
8,047,392 B2 * 11/2011 Eiten B65D 21/0231
220/23.6
(**) Term: **15 Years**

(Continued)

(21) Appl. No.: **29/714,734**
(22) Filed: **Nov. 25, 2019**
(51) **LOC (13) Cl.** **09-01**
(52) **U.S. Cl.**
USPC **D9/516**
(58) **Field of Classification Search**
USPC D9/440, 443, 447, 516, 520, 523-528,
D9/530-543, 550, 551, 552, 554, 556,
D9/558, 563, 428, 573-575, 564, 522,
D9/529; D7/396.2, 507, 509, 510, 511,
D7/532, 533, 608, 631-634; D3/202, 23;
D6/518, 523, 734
CPC B65D 1/0223; B65D 2543/00296; B65D
2543/00092; B65D 2543/00537; B65D
2501/0081; B65D 23/10; B65D 23/102;
B65D 1/85; B65D 1/44; A47J 43/27
See application file for complete search history.

(56) **References Cited**
U.S. PATENT DOCUMENTS
D200,879 S 4/1965 Randlett et al.
D213,763 S 4/1969 Plummer et al.
D235,733 S 7/1975 Platte et al.
D238,654 S * 2/1976 Platte D9/531
D332,747 S 1/1993 Darr et al.
D348,612 S 7/1994 Ring
D392,188 S 3/1998 Darr et al.

OTHER PUBLICATIONS

Restriction Requirement, dated Jun. 25, 2021, from corresponding Design U.S. Appl. No. 29/694,389.

(Continued)

Primary Examiner — Brett Miller
Assistant Examiner — Rani J Abdallah
(74) *Attorney, Agent, or Firm* — Brient IP Law, LLC

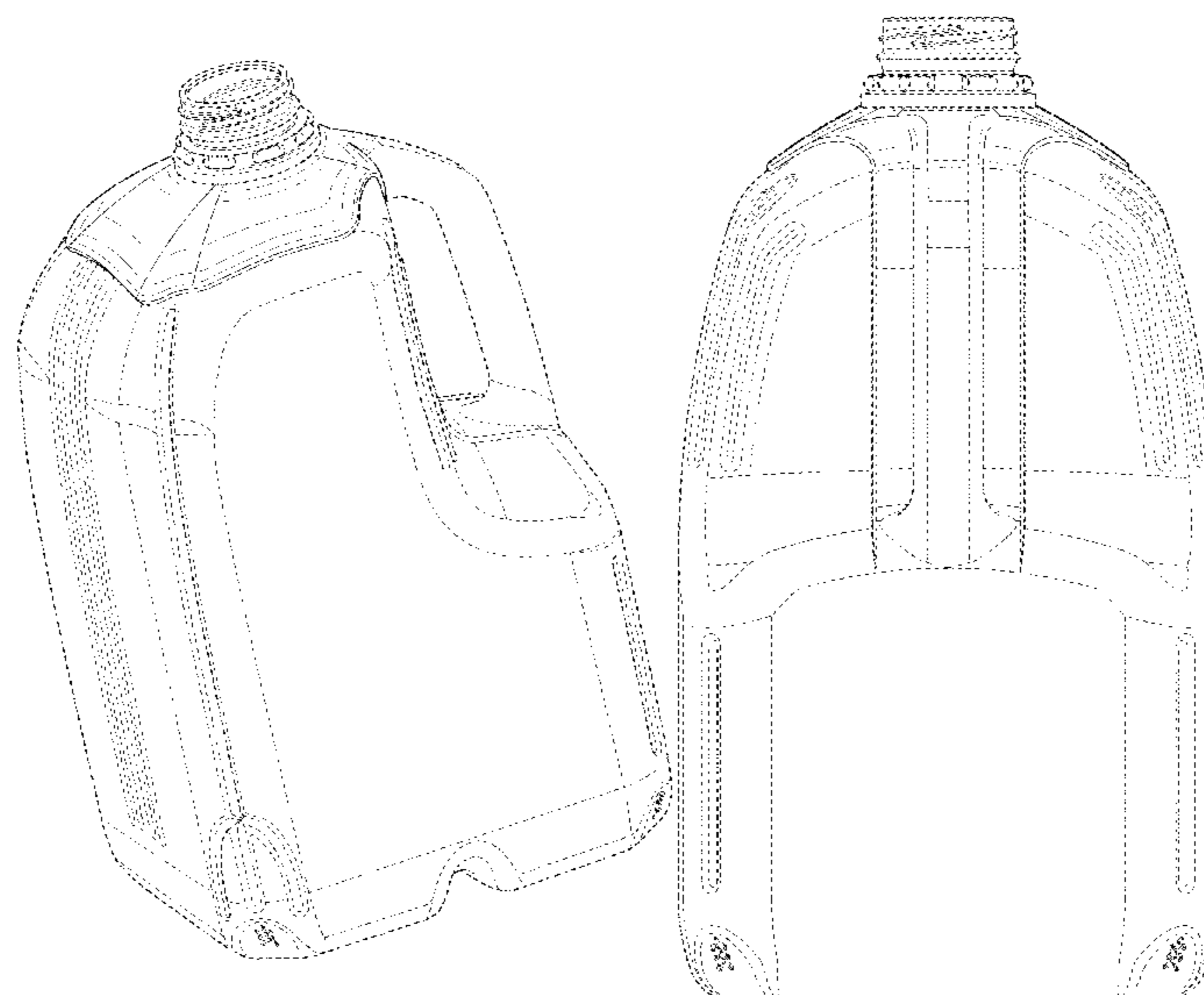
(57) **CLAIM**

The ornamental design of a container, as shown and described.

DESCRIPTION

FIG. 1 is a perspective view of a container showing the claimed design;
FIG. 2 is a rear elevation view thereof;
FIG. 3 is a front elevation view thereof;
FIG. 4 is a right side elevation view thereof;
FIG. 5 is a left side elevation view thereof;
FIG. 6 is a top plan view thereof; and,
FIG. 7 is a bottom plan view thereof.
The broken lines are for illustrative purposes only and form no part of the claimed design.

1 Claim, 7 Drawing Sheets



(56)

References Cited

U.S. PATENT DOCUMENTS

8,065,857	B2	11/2011	Rivera et al.	
D652,729	S *	1/2012	Young	D9/531
D653,114	S *	1/2012	Rivera	D9/531
D655,175	S *	3/2012	Young	D9/531
D678,072	S *	3/2013	Lobbestael	D9/531
D678,774	S *	3/2013	Lobbestael	D9/531
8,544,649	B2	10/2013	Rivera et al.	
D742,747	S *	11/2015	Lobbestael	D9/531
D749,422	S *	2/2016	Janeczek	D9/531
D756,232	S *	5/2016	Dunster	D9/531
D763,698	S	8/2016	Dunster et al.	
D800,567	S *	10/2017	Palmer	D9/531
D801,819	S *	11/2017	Dunster	D9/531
9,981,768	B1 *	5/2018	Palmer	B65D 1/0223
D823,690	S *	7/2018	Palmer	D9/531
D823,691	S *	7/2018	Palmer	D9/531
D846,388	S	4/2019	Arianpour	
D853,846	S	7/2019	Dunster et al.	
D868,583	S	12/2019	Palmer	
D904,196	S	12/2020	Janeczek et al.	
D911,851	S	3/2021	Janeczek et al.	
D920,120	S	5/2021	Dunster et al.	
2003/0155324	A1 *	8/2003	McCollum	B65D 1/0223 215/382

OTHER PUBLICATIONS

Office Action, dated Dec. 8, 2021, from corresponding Design U.S. Appl. No. 29/694,389.
 Notice of Allowance, dated Jun. 15, 2022, from corresponding Design U.S. Appl. No. 29/694,389.

* cited by examiner



FIG. 1

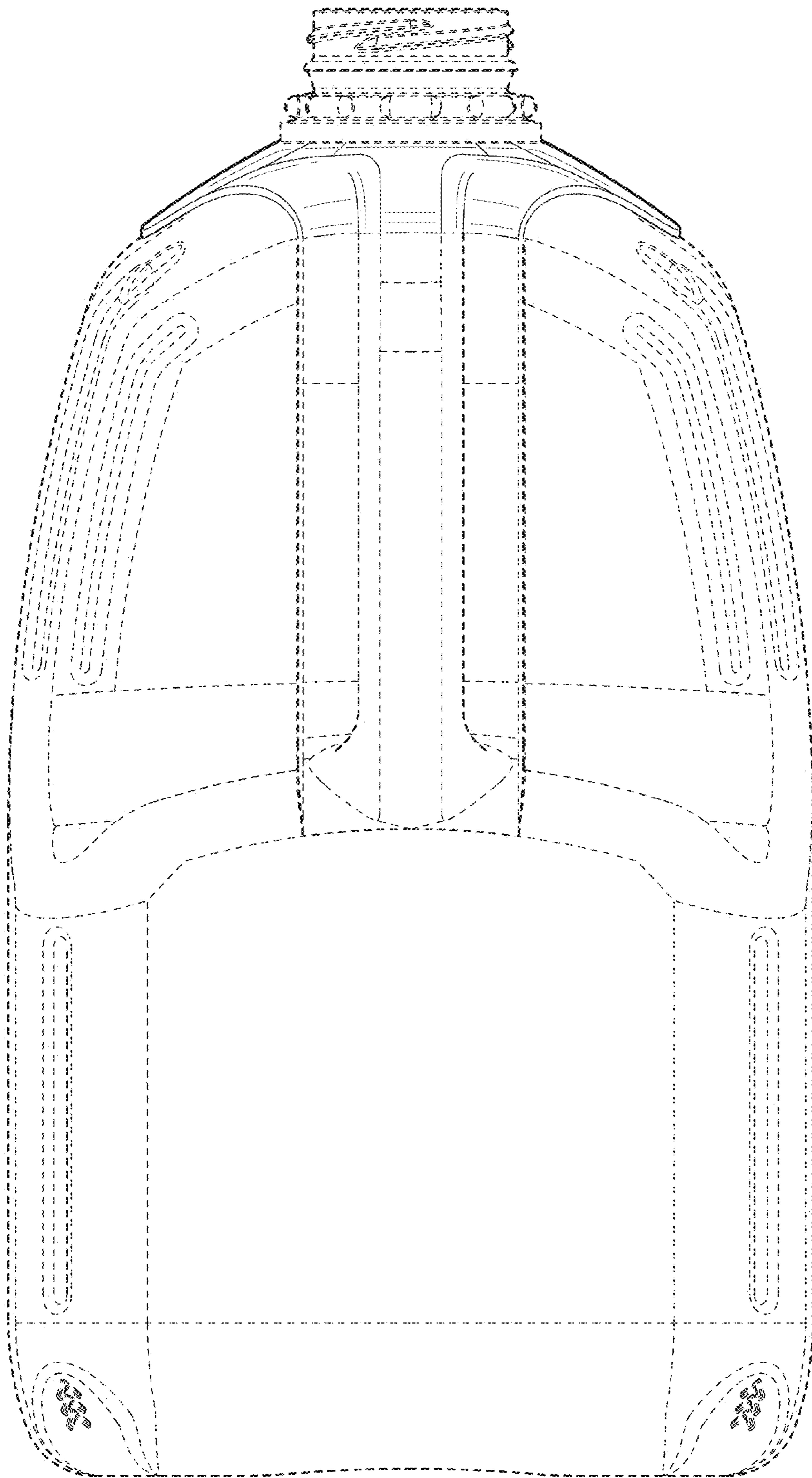


FIG. 2

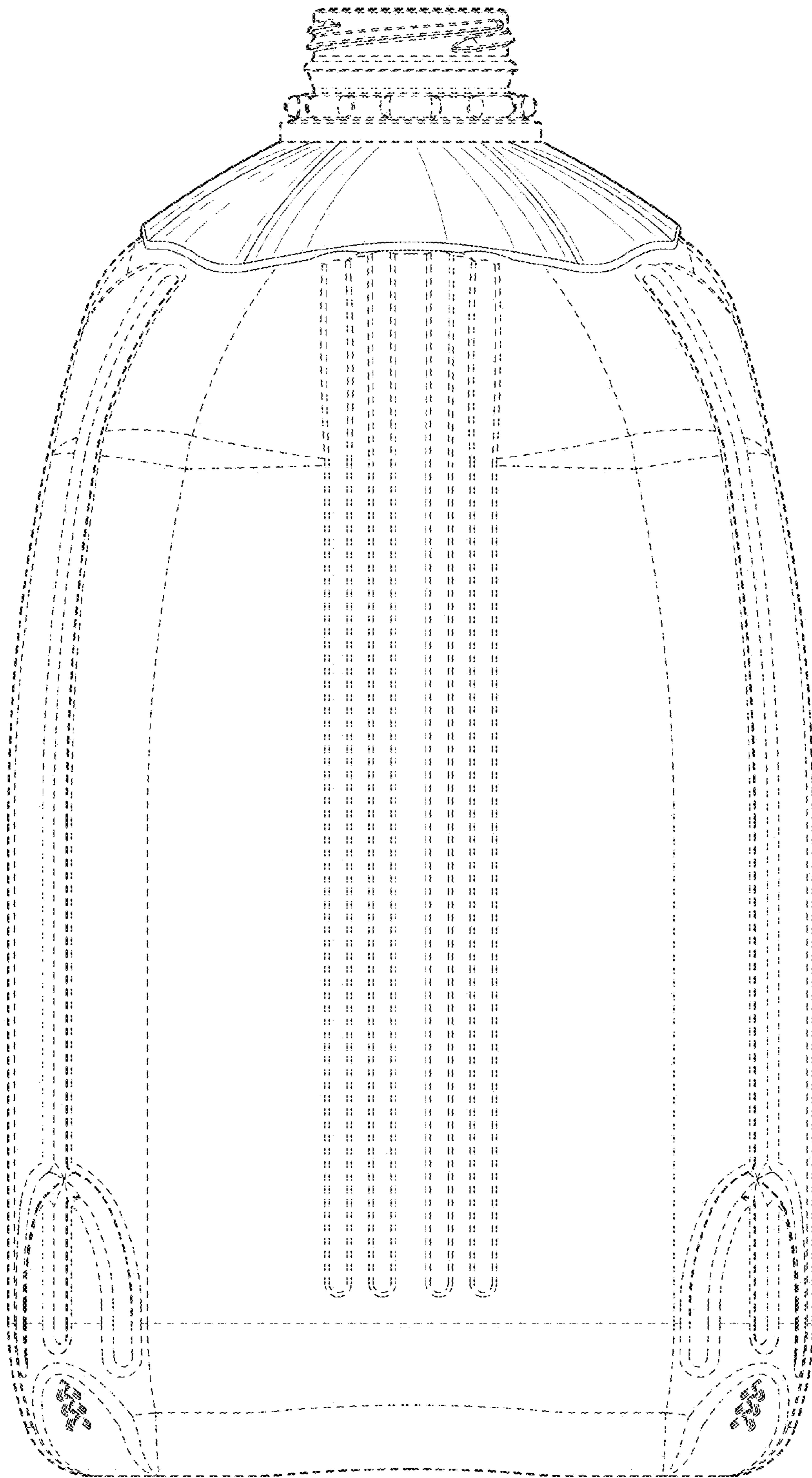


FIG. 3

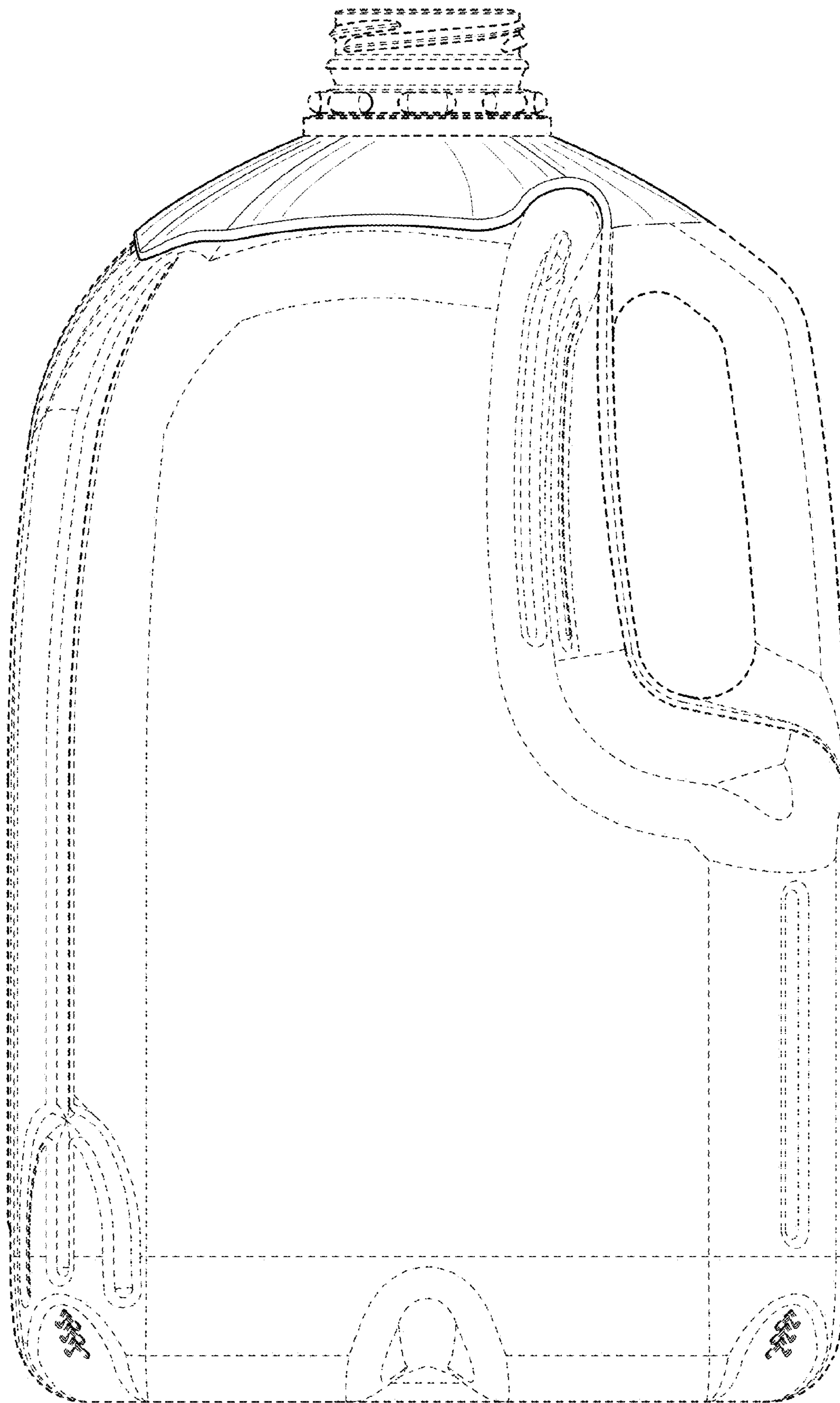


FIG. 4

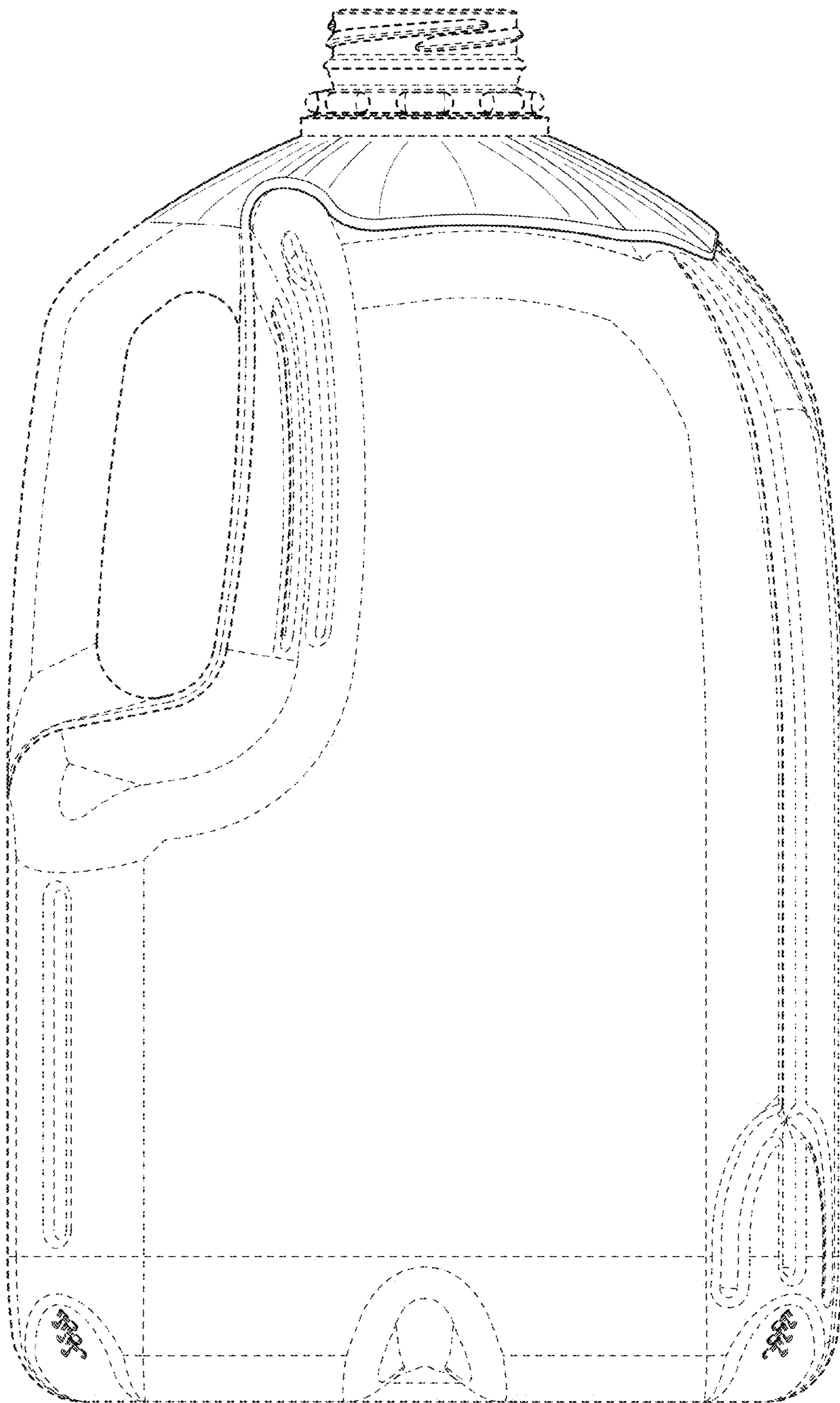


FIG. 5

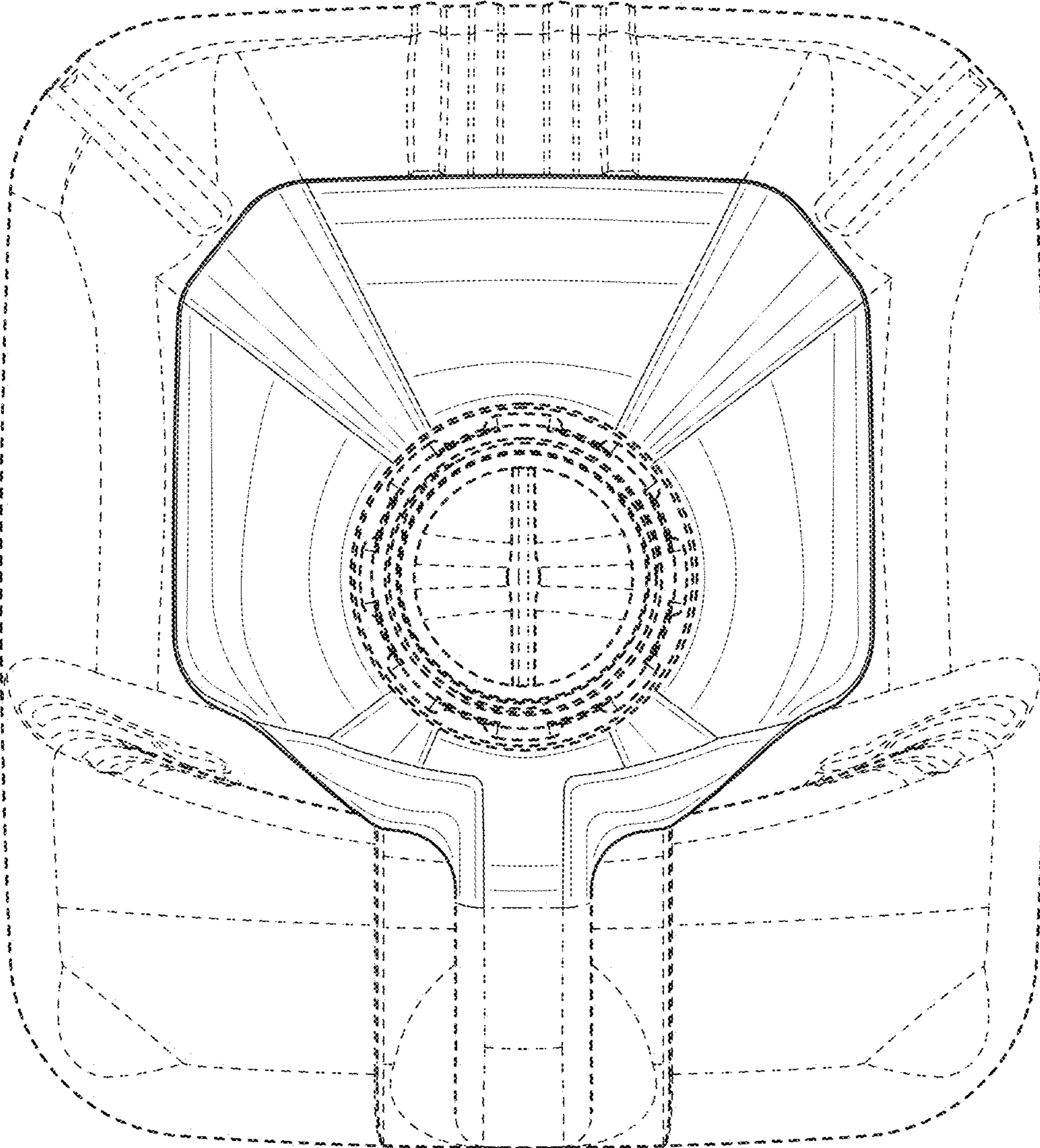


FIG. 6

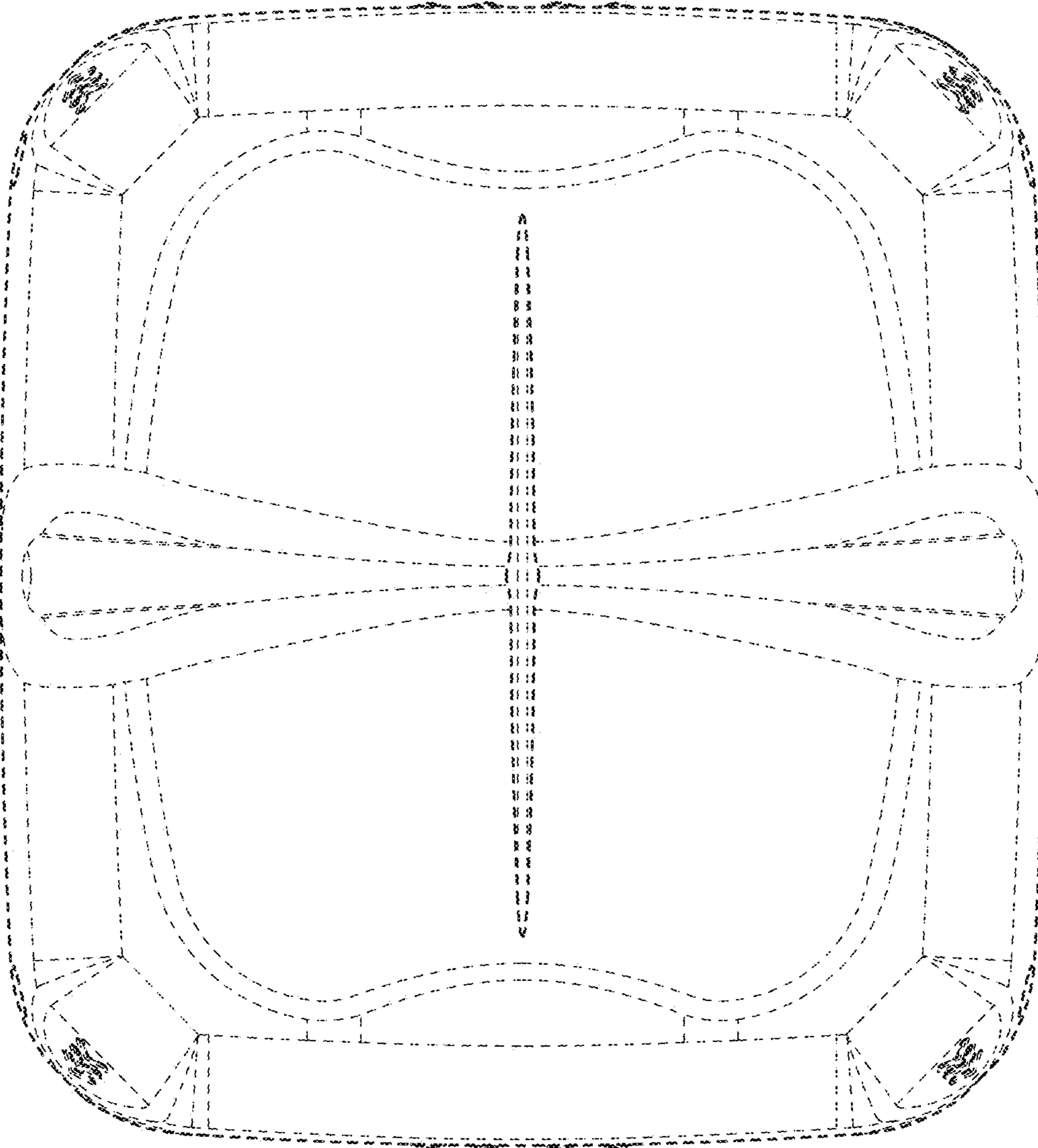


FIG. 7