



US00D961386S

(12) **United States Design Patent**
Luburic et al.

(10) **Patent No.:** **US D961,386 S**
(45) **Date of Patent:** **** Aug. 23, 2022**

(54) **CONTAINER LID WITH CASTELLATED CORK**

(71) Applicant: **BWAY Corporation**, Atlanta, GA (US)

(72) Inventors: **Frano Luburic**, Costa Mesa, CA (US);
Forrest A. Burney, LaGrange, GA (US);
Christopher James Lung, Santa Ana, CA (US)

(73) Assignee: **BWAY Corporation**, Atlanta, GA (US)

(**) Term: **15 Years**

(21) Appl. No.: **29/662,748**

(22) Filed: **Sep. 7, 2018**

(51) **LOC (13) Cl.** **09-07**

(52) **U.S. Cl.**
USPC **D9/438**

(58) **Field of Classification Search**
USPC D9/414, 434-436, 438-440, 443-457,
D9/499, 503-505, 682, 685, 686, 901,
D9/902, 906; D7/378, 387, 391, 392,
D7/392.1, 396.2-396.4, 401.1, 507,
D7/509-511, 538; D3/202, 203.2, 318;
D28/91.1; D32/53, 53.1, 54
CPC .. A61J 1/00; A61J 1/1412; B65D 1/00; B65D
1/02; B65D 1/10; B65D 1/46; B65D
5/46; B65D 41/00; B65D 41/38; B65D
41/56; B65D 41/62; B65D 47/00; B65D
47/06; B65D 47/08; B65D 2251/00;
B65D 2543/00046; B65D 2543/00092;
B65D 2543/00296; B65D 2585/56; B65D
2585/545

See application file for complete search history.

(56) **References Cited**

U.S. PATENT DOCUMENTS

- 3,519,163 A * 7/1970 Bardell B65D 43/0212
206/508
- 3,809,284 A * 5/1974 Churan B65D 43/0212
D9/443

- D249,935 S * 10/1978 Williams D9/454
- 4,420,093 A * 12/1983 Von Holdt B65D 21/0219
206/508
- 4,512,493 A * 4/1985 Von Holdt B65D 43/0208
220/782
- D286,026 S * 10/1986 Rayner D9/435
- D292,380 S * 10/1987 Smith D9/452
- 4,711,364 A * 12/1987 Letica B65D 43/0212
220/276

(Continued)

Primary Examiner — Wendy L Arminio

(74) *Attorney, Agent, or Firm* — Morris, Manning & Martin, LLP; Daniel E. Sineway, Esq.

(57) **CLAIM**

The ornamental design for a container lid with castellated cork, as shown and described.

DESCRIPTION

FIG. 1 is a perspective view of a container lid with castellated cork;

FIG. 2 is a top view of a container lid with castellated cork;

FIG. 3 is a bottom view of a container lid with castellated cork;

FIG. 4 is a perspective view of a container lid with castellated cork;

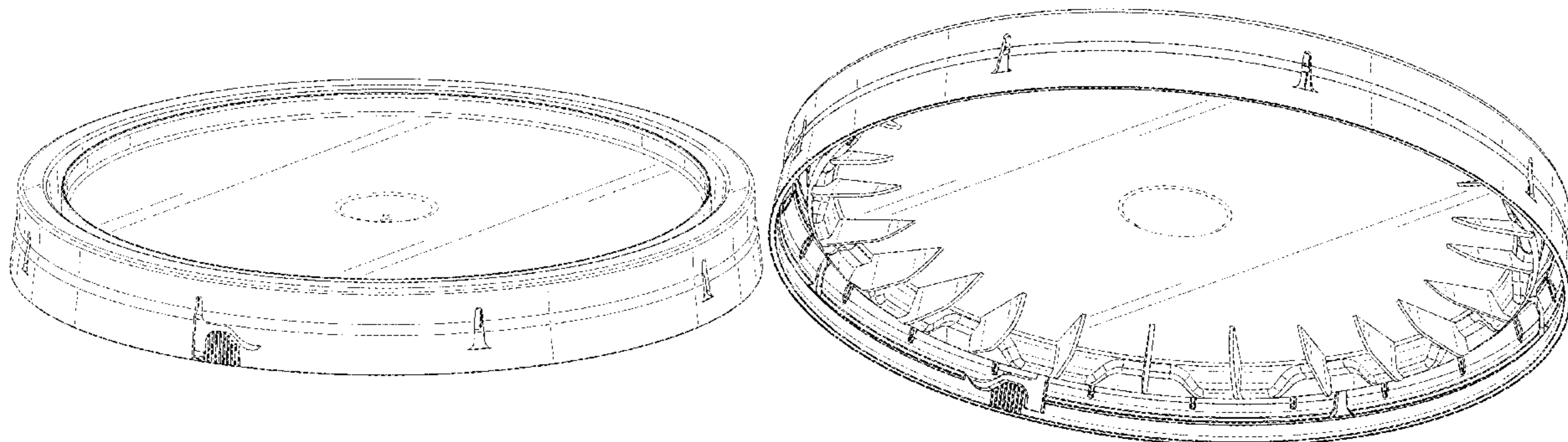
FIG. 5 is a side view of a container lid with castellated cork;

FIG. 6 is a side view of a container lid with castellated cork;

FIG. 7 is a side view of a container lid with castellated cork; and,

FIG. 8 is a side view of a container lid with castellated cork. The broken lines depict portions of the container lid with castellated cork that form no part of the claimed design.

1 Claim, 6 Drawing Sheets



(56)

References Cited

U.S. PATENT DOCUMENTS

4,735,337 A * 4/1988 Von Holdt B65D 43/0256
220/276
D297,709 S * 9/1988 Willerup D9/428
4,930,656 A * 6/1990 Blanchette B65D 43/0256
220/276
D309,109 S * 7/1990 Allen D9/436
D322,760 S * 12/1991 Blanchette D9/435
5,238,135 A * 8/1993 Landis B65D 43/0256
220/276
5,294,015 A * 3/1994 Landis B65D 43/0256
D9/449
D359,687 S * 6/1995 Arshinoff D9/447
D369,107 S * 4/1996 Landis D9/438
5,540,349 A * 7/1996 Philips B65D 43/0256
220/780
D374,822 S * 10/1996 Philips D9/453
5,617,968 A * 4/1997 Luburic B65D 43/0256
220/276
5,626,251 A * 5/1997 Luburic B65D 43/0256
220/276
D380,385 S * 7/1997 Litke D9/452
D389,058 S * 1/1998 Landis D9/454
5,785,203 A * 7/1998 Arshinoff B65D 43/0212
220/783
D398,997 S * 9/1998 Taylor D9/454
6,880,716 B2 * 4/2005 Gottainer B65D 43/0212
215/302
7,207,457 B2 * 4/2007 Schwarz B65D 43/0237
220/276
D630,943 S * 1/2011 Pontes D9/438
7,963,419 B2 6/2011 Burney et al.
D645,741 S * 9/2011 Dunwoody D9/435
D649,871 S * 12/2011 Noer D9/428

D650,670 S * 12/2011 Dunwoody D9/435
D652,297 S * 1/2012 Dunwoody D9/435
D659,333 S * 5/2012 Morris, Jr. D32/54
8,181,819 B2 5/2012 Burney et al.
8,210,391 B2 * 7/2012 Luburic B65D 1/40
220/635
D692,720 S * 11/2013 Audette D9/447
D697,366 S * 1/2014 Kristinik D7/392.1
8,863,982 B2 * 10/2014 Baltz B65D 51/00
220/780
D776,529 S * 1/2017 Torrison D9/435
D871,834 S * 1/2020 Sarnoff D7/392
2002/0148834 A1 * 10/2002 Luburic B65D 43/0256
220/270
2003/0160051 A1 * 8/2003 Ciccone B65D 43/0256
220/276
2003/0189048 A1 * 10/2003 Luburic B65D 43/161
220/276
2004/0195138 A1 * 10/2004 van Holdt, Jr. B65D 25/32
206/508
2004/0195251 A1 * 10/2004 von Holdt, Jr. B65D 25/32
220/659
2009/0294322 A1 * 12/2009 Baltz B65D 43/0256
206/519
2010/0213195 A1 * 8/2010 Baltz B65D 25/32
220/309.1
2011/0253717 A1 * 10/2011 Luburic B65D 41/32
220/266
2013/0068780 A1 * 3/2013 Meers B65D 43/0212
220/790
2018/0015649 A1 * 1/2018 Hutchinson B65D 21/0217
2018/0290793 A1 * 10/2018 Del Rosario Roy
B65D 21/0234
2019/0071223 A1 * 3/2019 Luburic B65D 43/0249
2019/0283937 A1 * 9/2019 Selina B65D 43/0258

* cited by examiner

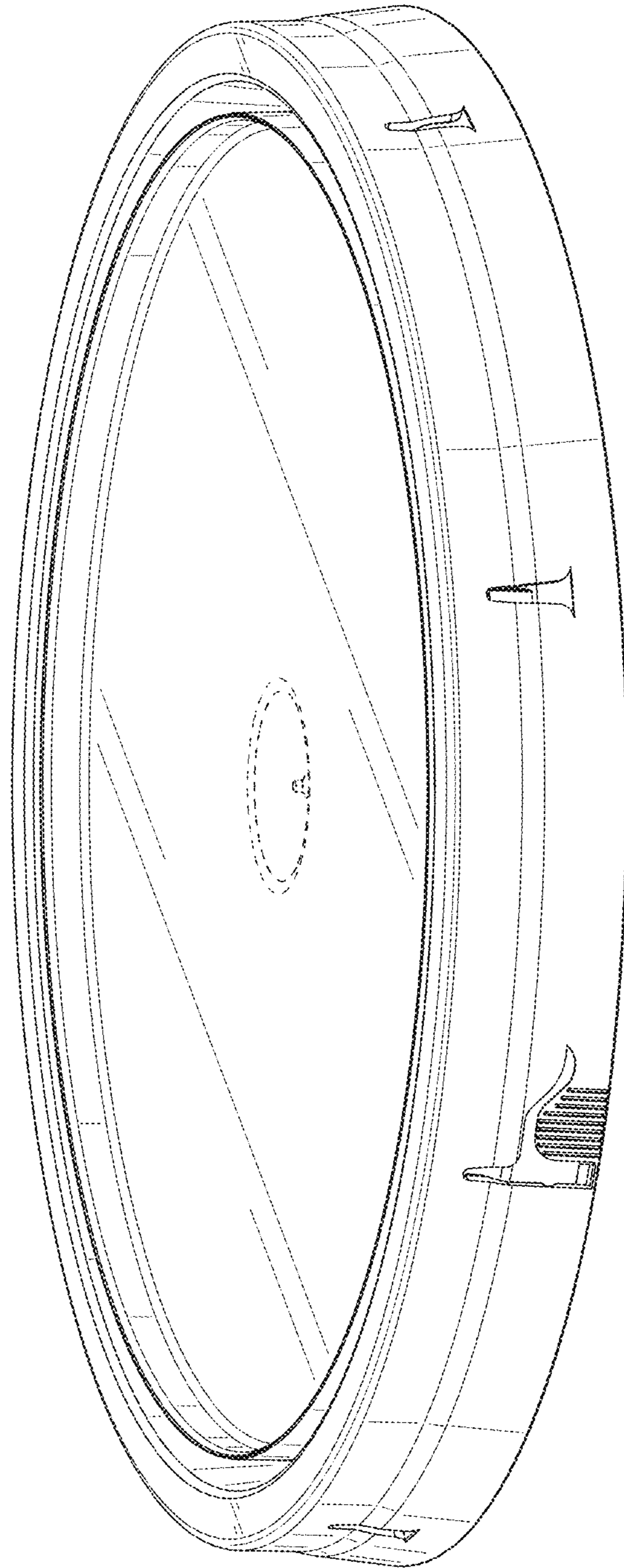


FIG. 1

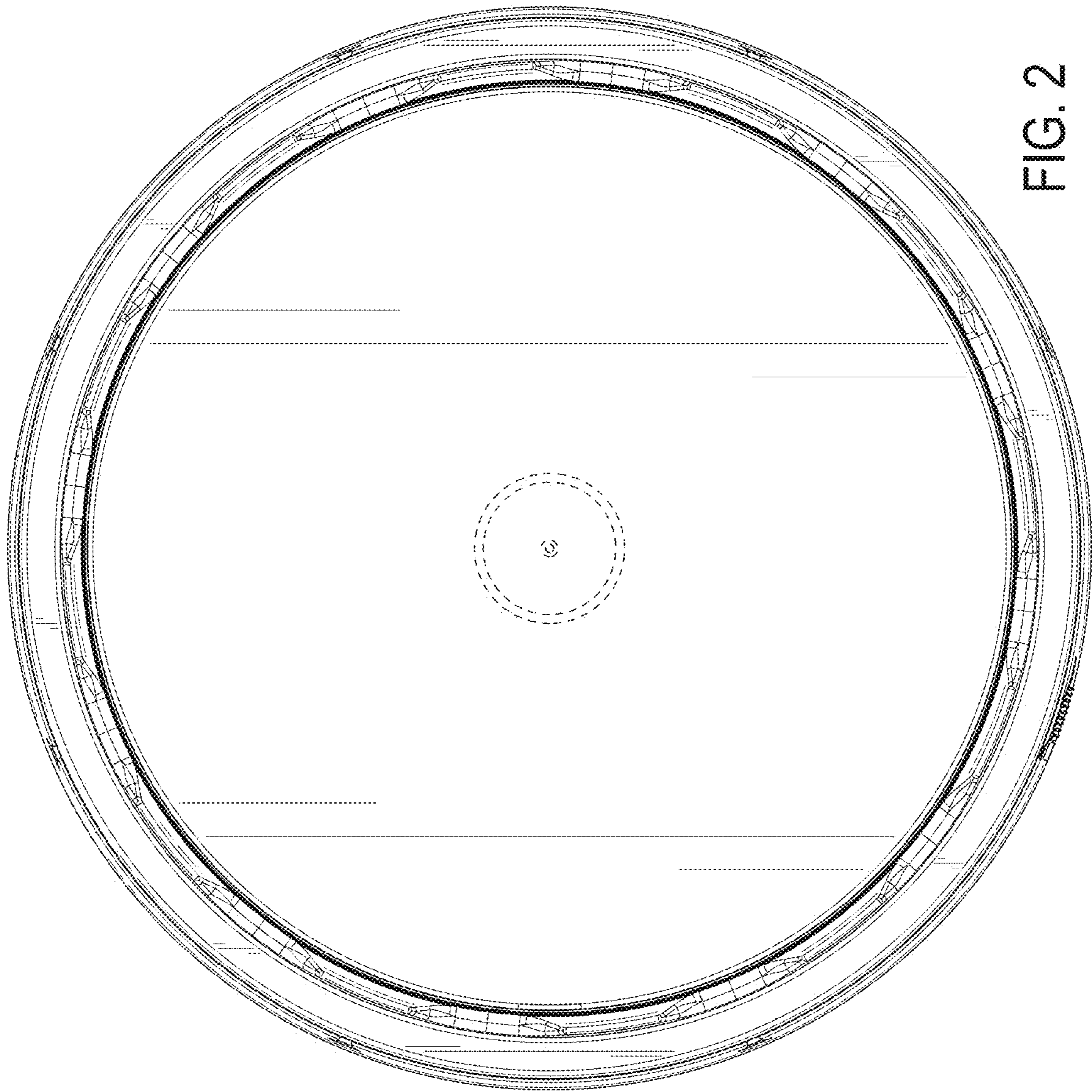


FIG. 2

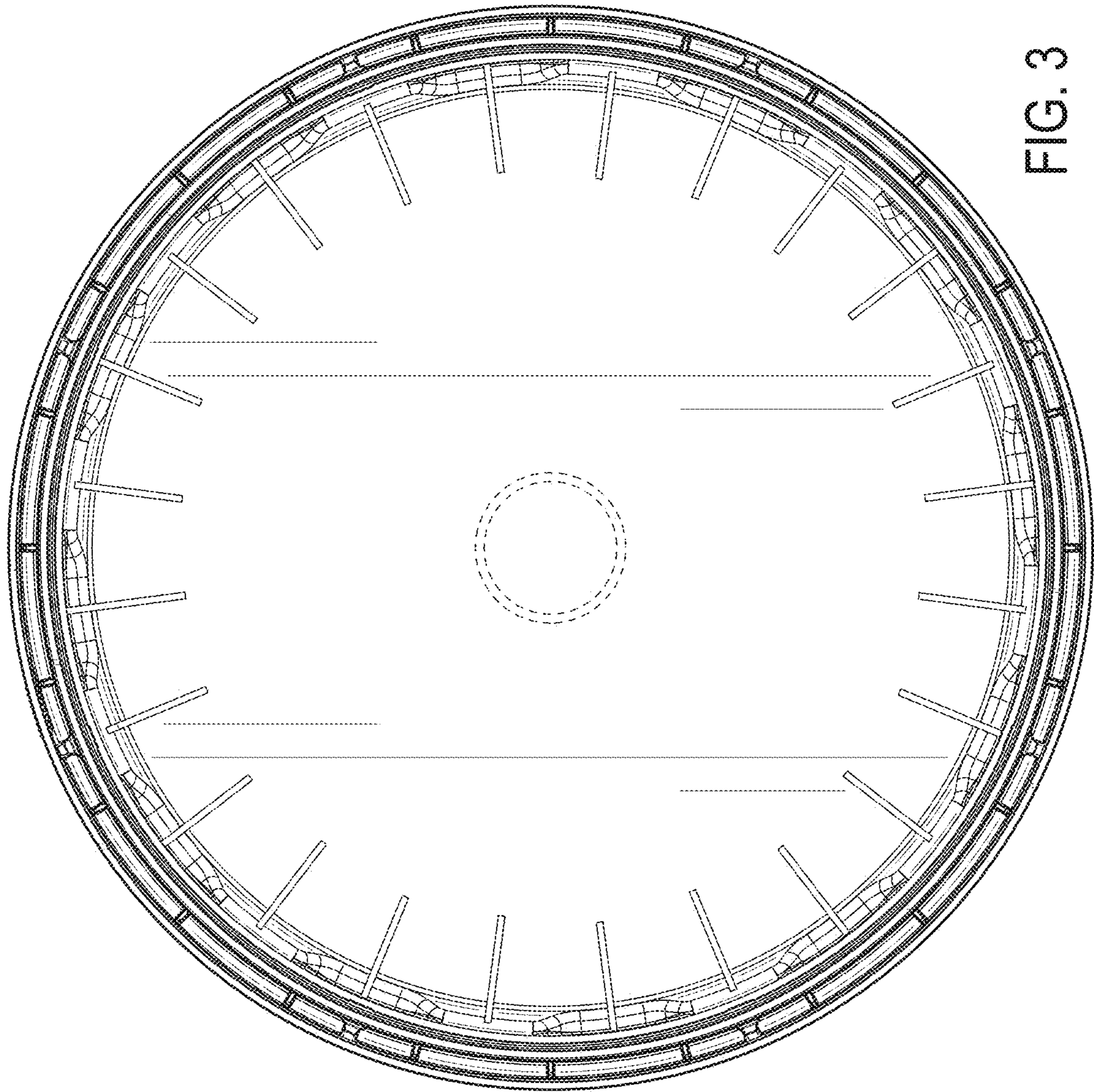


FIG. 3

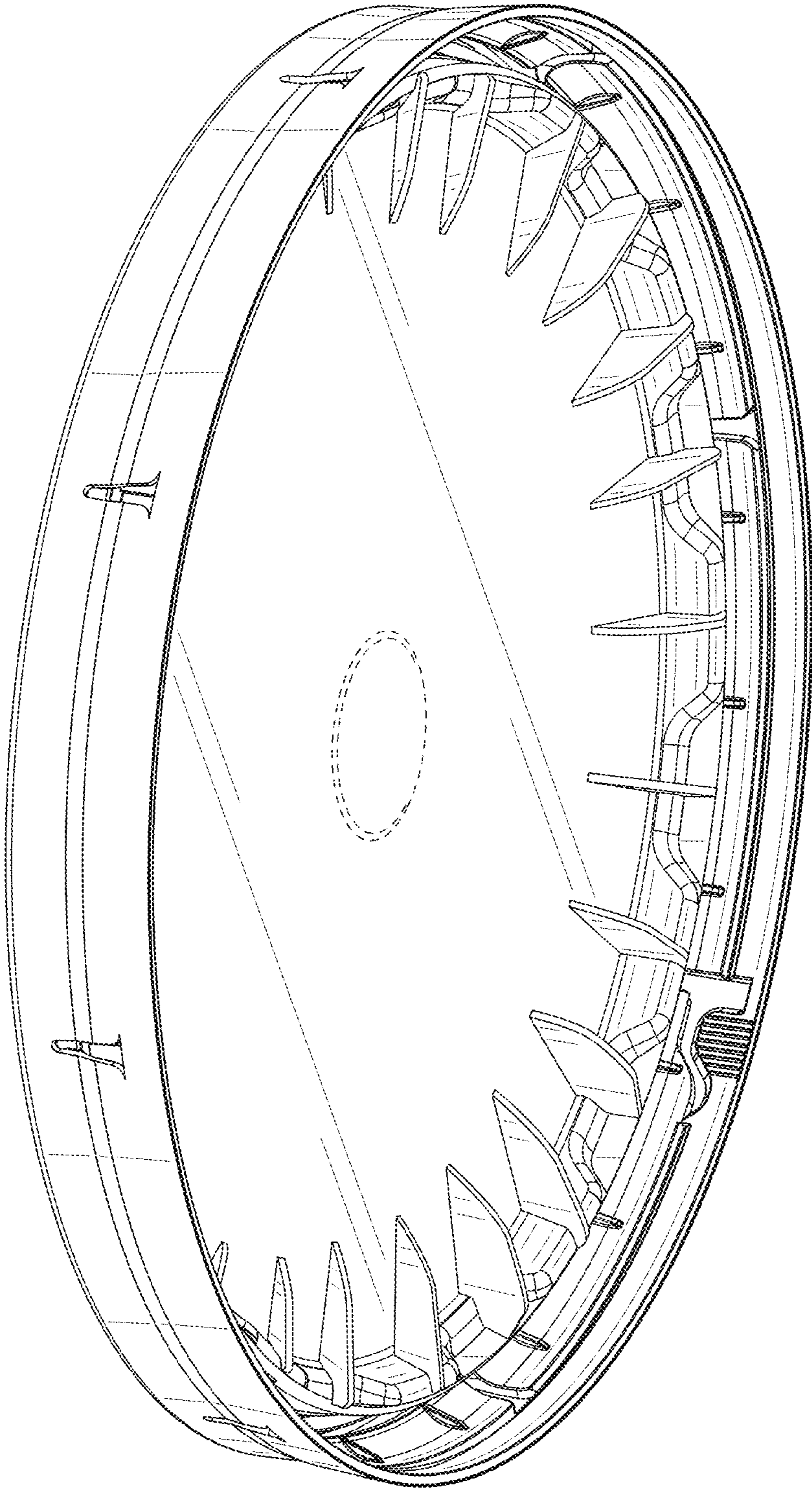


FIG. 4

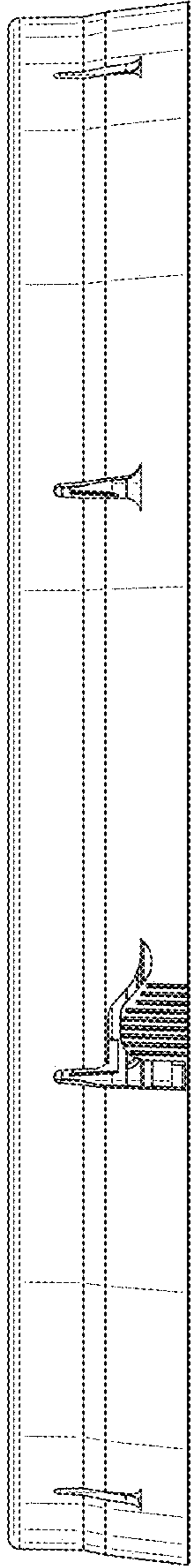


FIG. 5

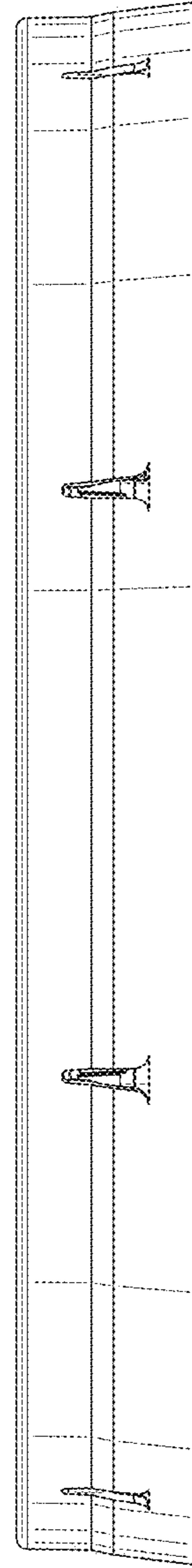


FIG. 6

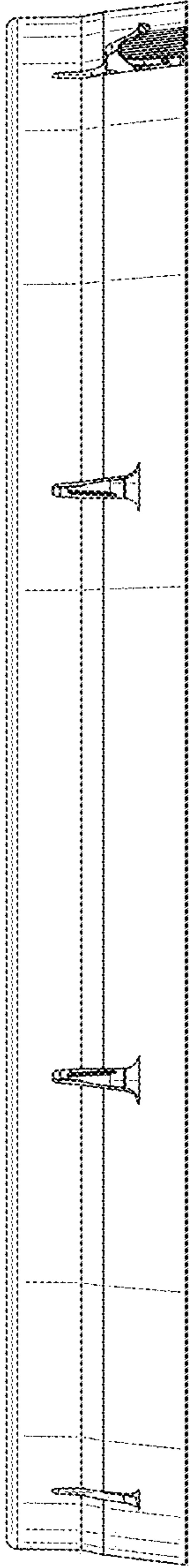


FIG. 7

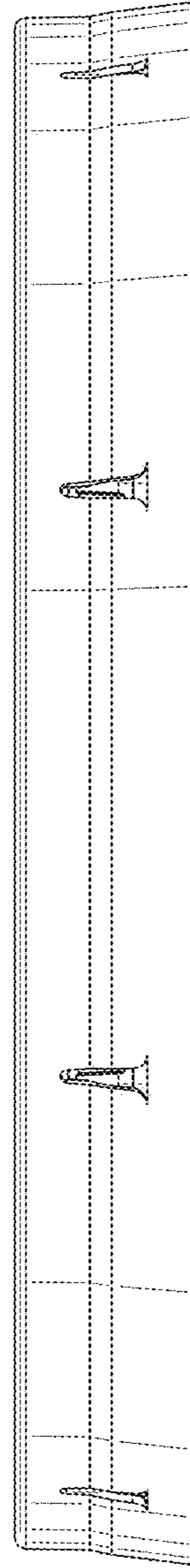


FIG. 8