



US00D961385S

(12) **United States Design Patent**
Cats-Djasai

(10) **Patent No.:** **US D961,385 S**

(45) **Date of Patent:** **** Aug. 23, 2022**

(54) **PLUNGER ASSEMBLY FOR SEALING
CONTAINERS OF PAINT OR SIMILAR
SUBSTANCES**

Primary Examiner — Michael A. Pratt

(71) Applicant: **Anand Roy Cats-Djasai**, Brummen
(NL)

(57) **CLAIM**

(72) Inventor: **Anand Roy Cats-Djasai**, Brummen
(NL)

The ornamental design for for a plunger assembly for sealing containers of paint or similar substances, as shown and described.

(**) Term: **15 Years**

(21) Appl. No.: **35/511,591**

DESCRIPTION

(22) Filed: **Nov. 12, 2020**

(80) **Hague Agreement Data**

Int. Filing Date: **Nov. 12, 2020**

Int. Reg. No.: **DM/213208**

Int. Reg. Date: **Nov. 12, 2020**

Int. Reg. Pub. Date: **Mar. 26, 2021**

1. Plunger assembly for sealing containers of paint or similar substances

Figure 1.1: Perspective of the Assembly

Figure 1.2: Perspective of the Assembly

Figure 1.3: Exploded View of the Assembly

Figure 1.4: Front View of the Holder

Figure 1.5: Top view of the Holder

Figure 1.6: Bottom view of the Holder

Figure 1.7: Front view of the Disc

Figure 1.8: Top view of the Disc

Figure 1.9: Bottom View of the Disc

Figure 1.10: Front view of the handle

Figure 1.11: Top view of the Handle

Figure 1.12: Bottom view of the Handle

The device consists of an assembly of three separate parts, namely a disc, a holder, and a handle; Fig. 1.1 shows a top perspective view of the assembly; Fig. 1.2 shows a bottom perspective view of the assembly; Fig. 1.3 shows an exploded view of the assembly; Fig. 1.4 shows a front view of the holder; Fig. 1.5 shows a top view of the holder; Fig. 1.6 shows a bottom view of the holder; Fig. 1.7 shows a front view of the disc; Fig. 1.8 shows a top view of the disc; Fig. 1.9 shows a bottom view of the disc.; Fig. 1.10 shows a front view of the handle; Fig. 1.11 shows a top view of the handle; Fig. 1.12 shows a bottom view of the handle; the 2 side views and the rear view of the holder, the disc, and the handle are identical to the front views of these child parts shown in Fig. 1.4, Fig. 1.7 and Fig. 1.10; when turned any angle around the axis of the handle, the views shown in Fig. 1.1, Fig. 1.2 and Fig. 1.3 remain identical.

(51) **LOC (13) Cl.** **09-01**

(52) **U.S. Cl.**

USPC **D9/435**

(58) **Field of Classification Search**

USPC D9/435-436, 439, 440, 442; D19/101,
D19/102, 104

CPC F16J 15/3232; F16J 15/002; F16J 15/3212;
F16J 15/3208; F16J 15/3448; B44D 3/12;
B44D 3/127

See application file for complete search history.

(56) **References Cited**

U.S. PATENT DOCUMENTS

2,556,195 A * 6/1951 Kors B44D 3/12
217/86

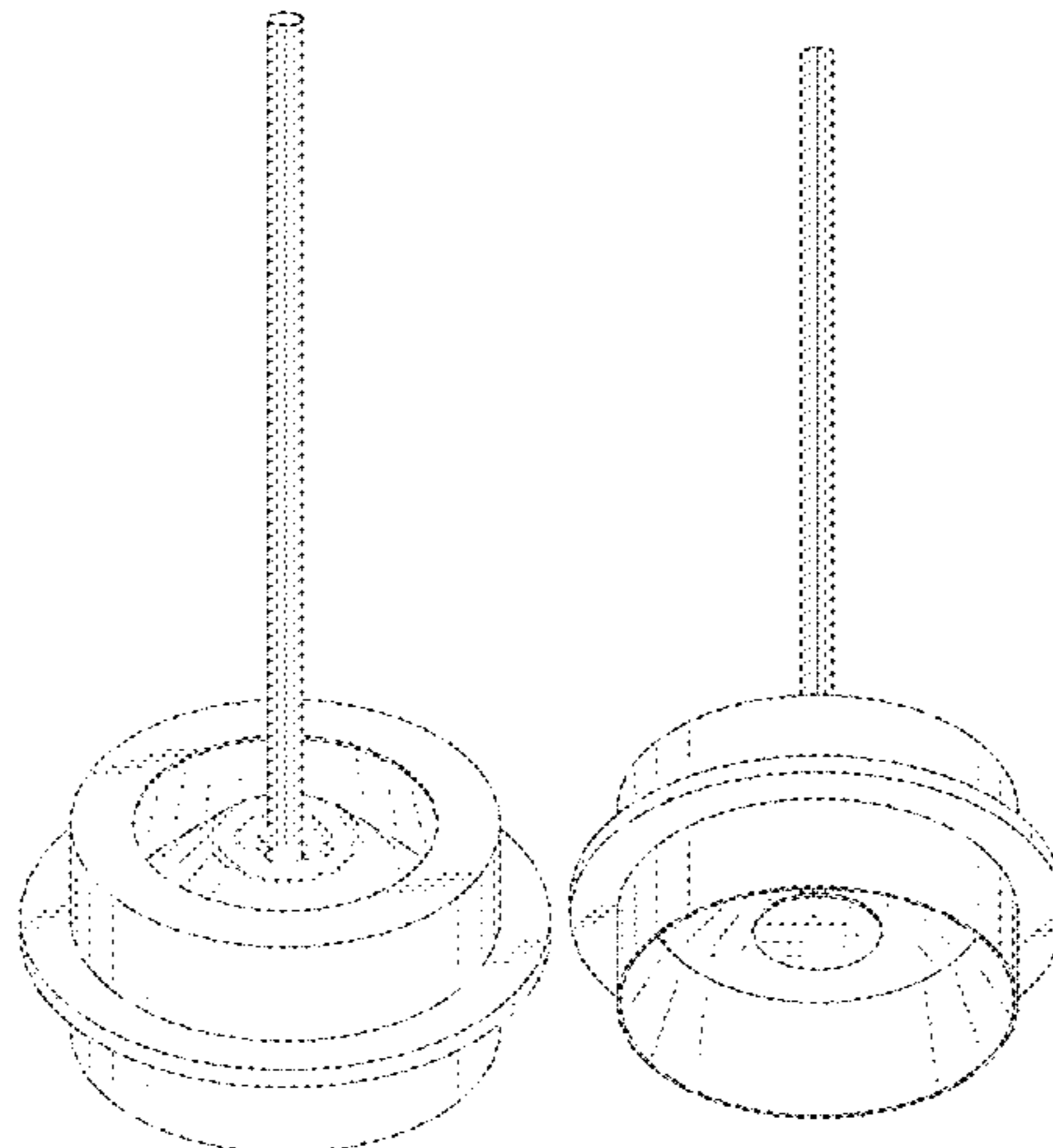
4,874,108 A * 10/1989 Valasek B44D 3/12
220/578

(Continued)

OTHER PUBLICATIONS

Paint Can Closer Accessed on Apr. 4, 2022 [online],[retrieved Apr. 4, 2022]. Retrieved from internet, <https://paintcancloser.com/> (Year: 2022).*

1 Claim, 12 Drawing Sheets



(56)

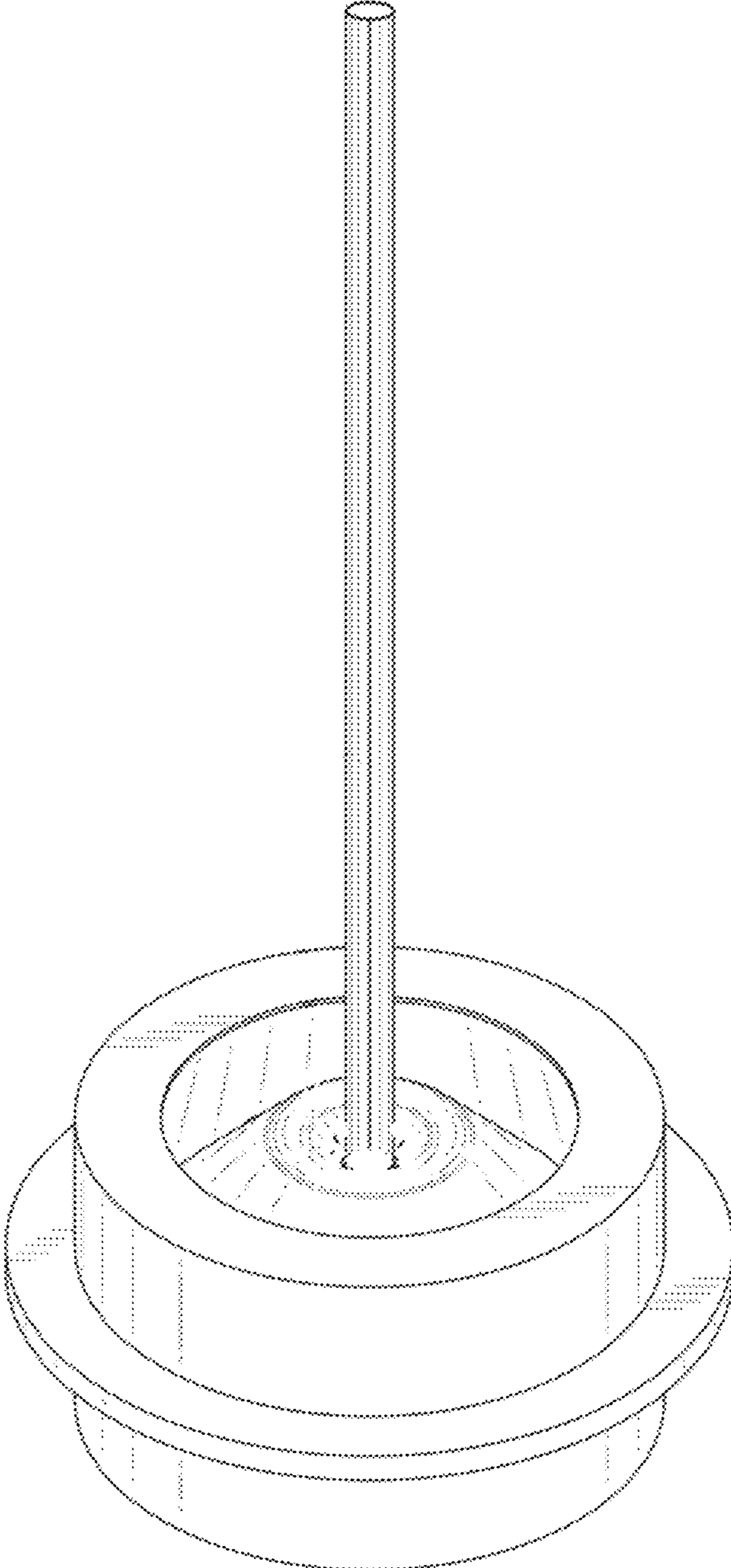
References Cited

U.S. PATENT DOCUMENTS

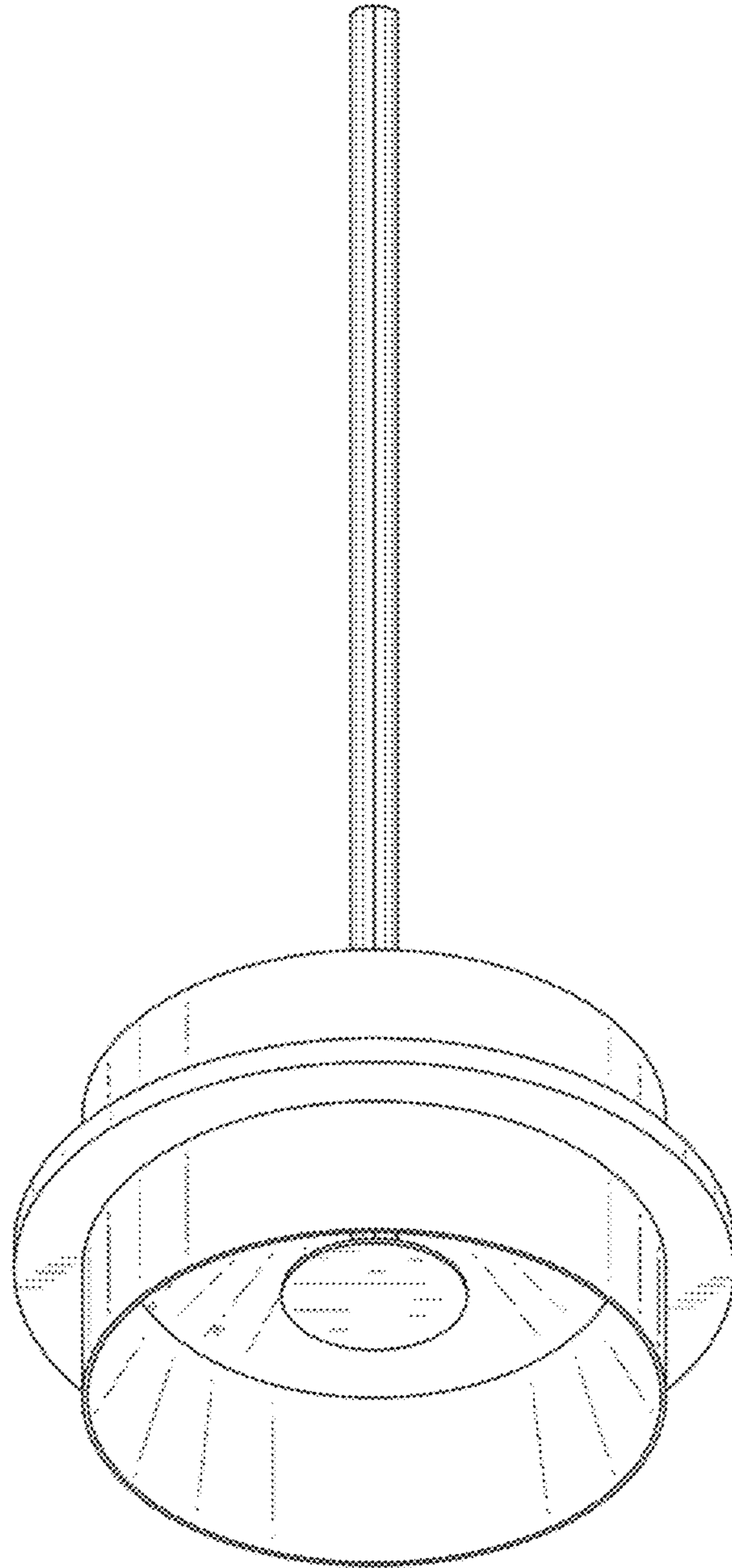
5,213,230	A *	5/1993	Kral	B44D 3/12 220/216
5,339,981	A *	8/1994	Kral	B44D 3/12 220/287
D356,893	S *	4/1995	Conmy	D32/42
D383,935	S *	9/1997	Zawalsky	D6/524
D576,801	S *	9/2008	Dretzka	D4/116
D688,489	S *	8/2013	Cohen	E03C 1/308 D6/524
D809,720	S *	2/2018	Salas	D32/14
2004/0238544	A1 *	12/2004	Miller	B44D 3/127 220/578
2012/0097180	A1 *	4/2012	Harris	B65D 83/228 132/200

* cited by examiner

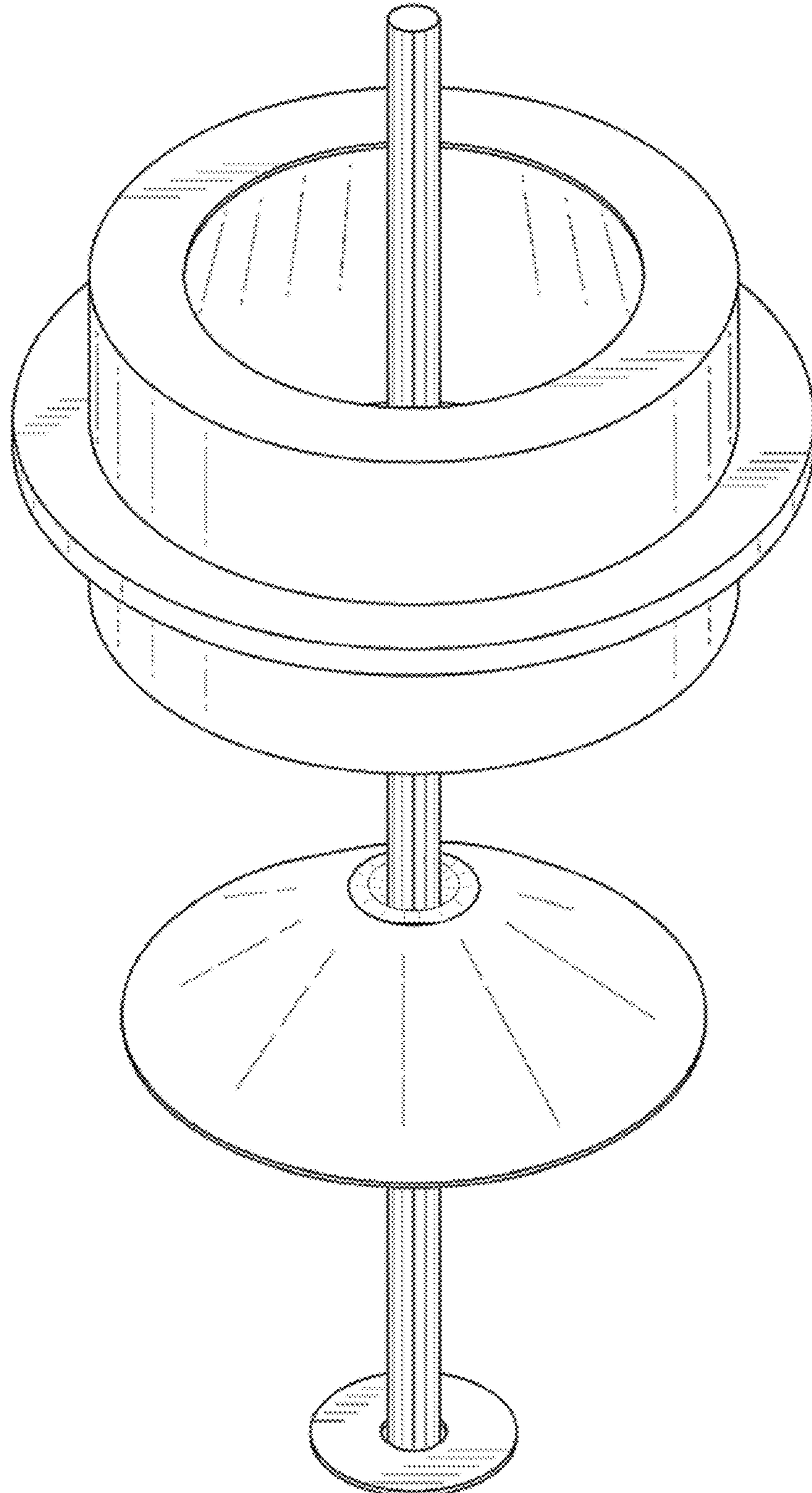
1.1



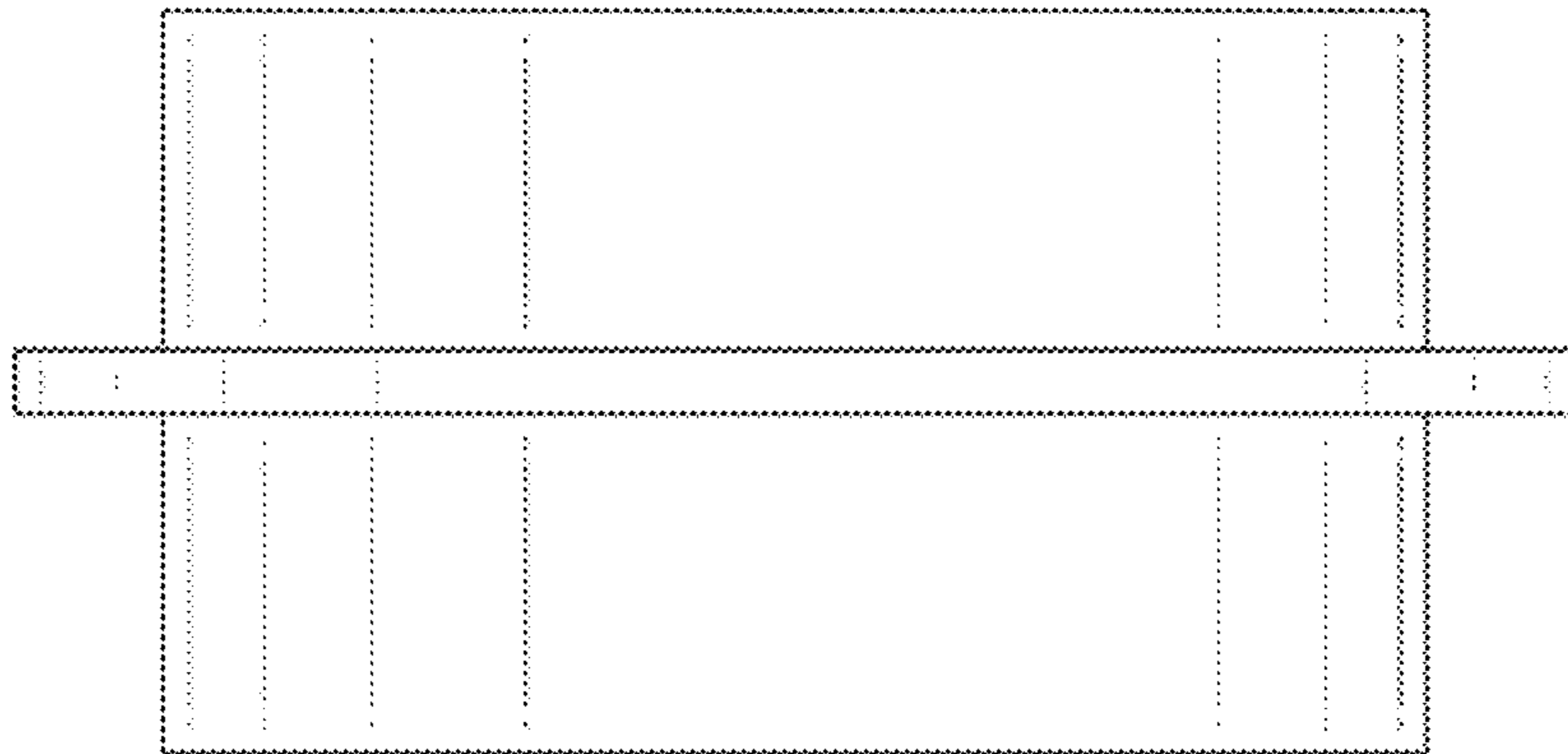
1.2



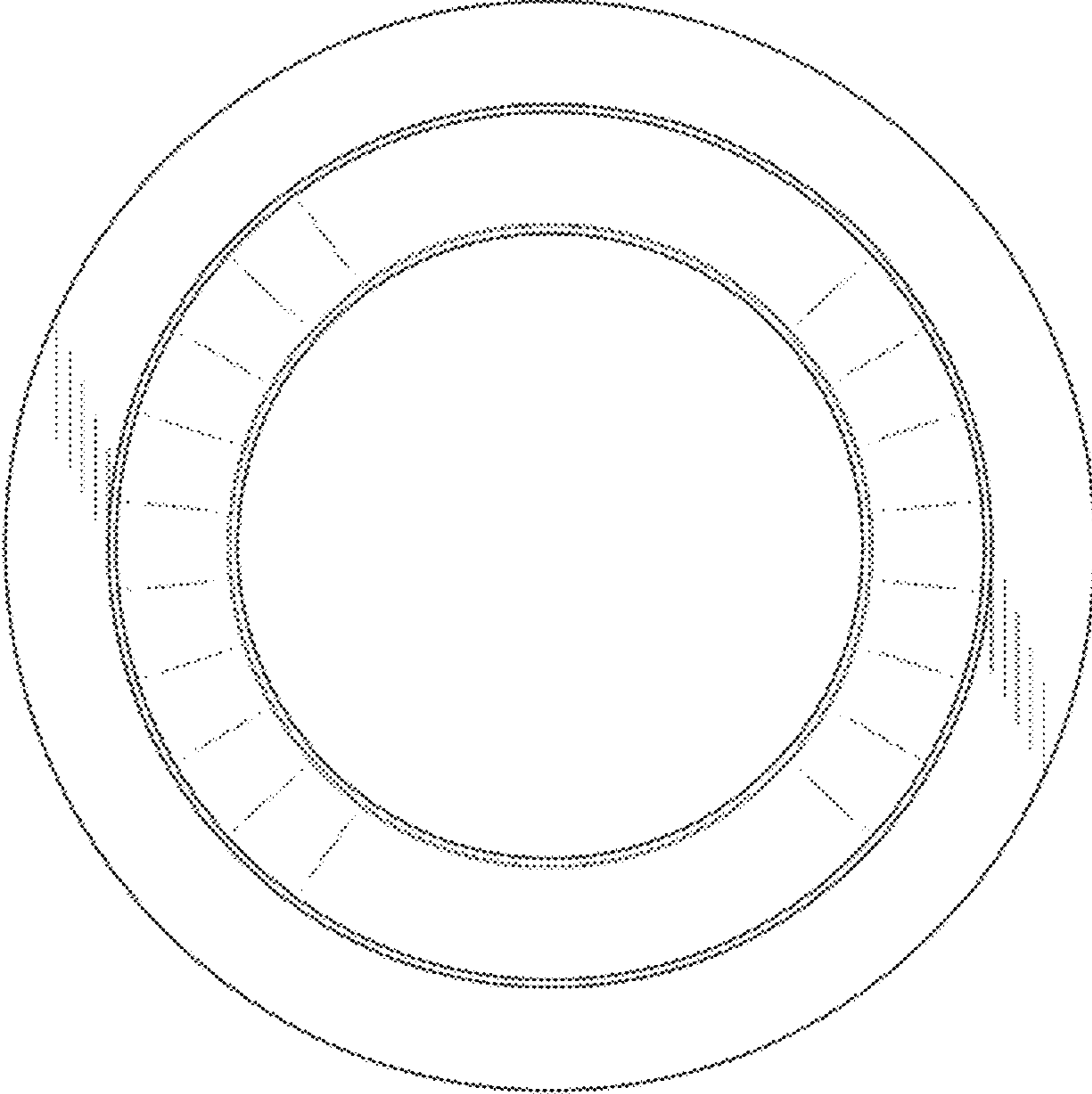
1.3



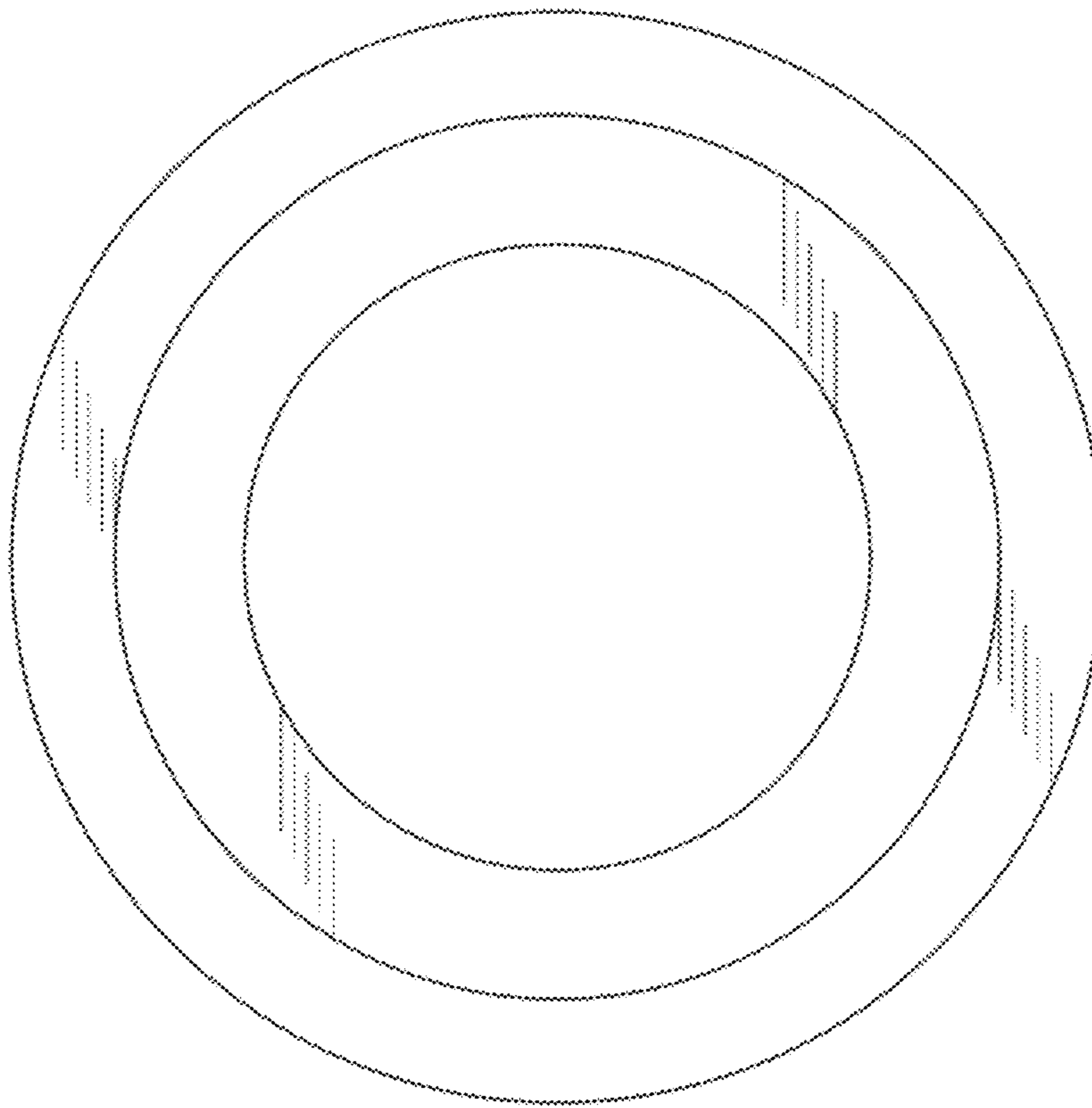
1.4



1.5



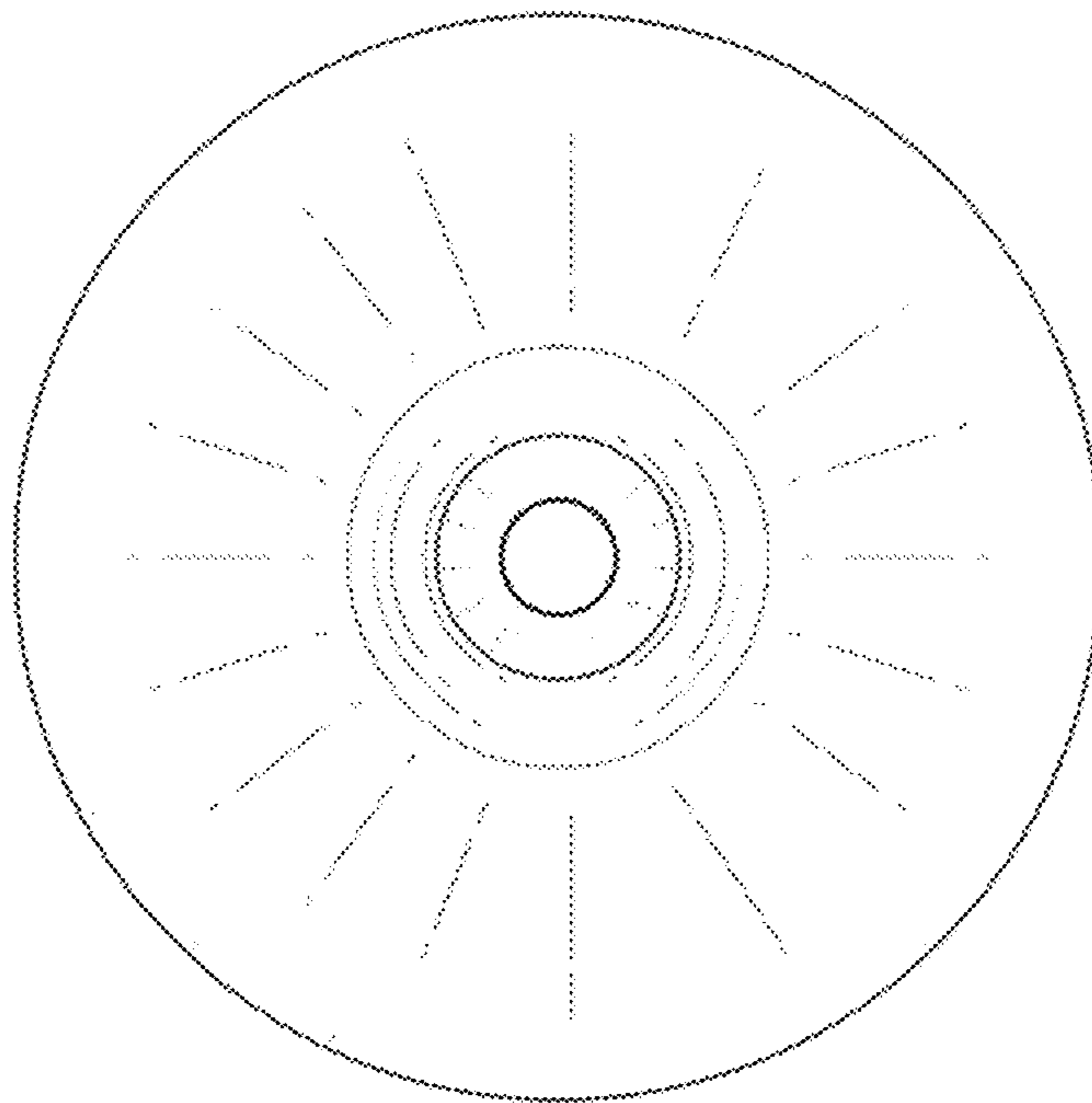
1.6



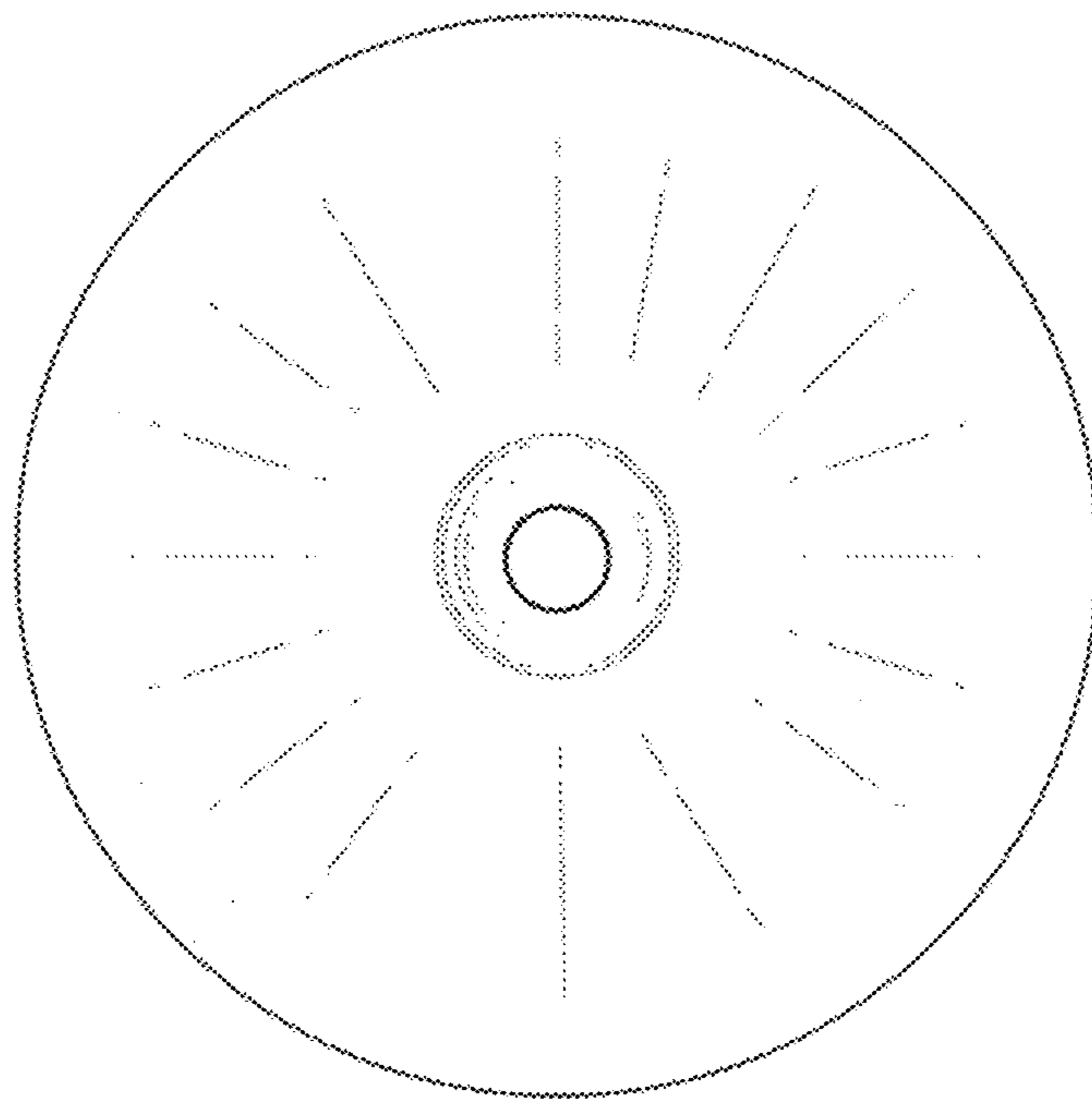
1.7



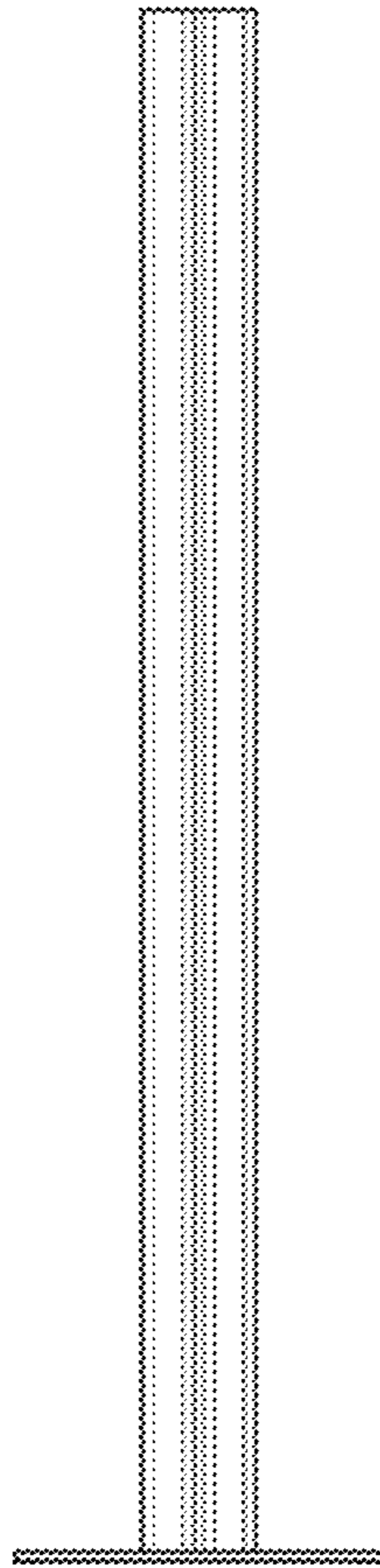
1.8



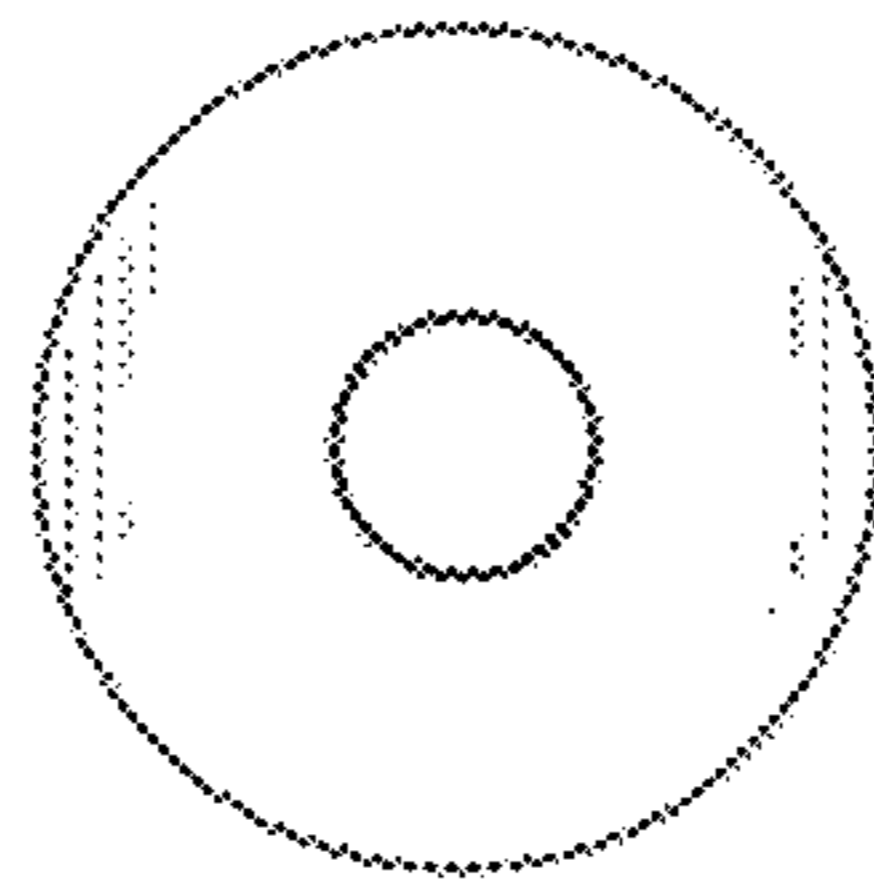
1.9



1.10



1.11



1.12

