



US00D961383S

(12) **United States Design Patent** (10) **Patent No.:** **US D961,383 S**  
**Murphy** (45) **Date of Patent:** **\*\* Aug. 23, 2022**

(54) **TAB FOR A TAMPER-EVIDENT CONTAINER**

FOREIGN PATENT DOCUMENTS

(71) Applicant: **PACTIV LLC**, Lake Forest, IL (US)

CA 2533046 A1 2/2005  
CA 2533236 A1 8/2006

(72) Inventor: **Brian M. Murphy**, Chicago, IL (US)

(Continued)

(73) Assignee: **PACTIV LLC**, Lake Forest, IL (US)

OTHER PUBLICATIONS

(\*\*) Term: **15 Years**

U.S. Appl. No. 29/687,781 (now U.S. Pat. No. D. 920,100), filed Apr. 16, 2019 (May 25, 2021).

(21) Appl. No.: **29/784,816**

(Continued)

(22) Filed: **May 21, 2021**

*Primary Examiner* — Lauren R Calve

(74) *Attorney, Agent, or Firm* — Baker Botts L.L.P.

**Related U.S. Application Data**

(63) Continuation of application No. 29/687,781, filed on Apr. 16, 2019, now Pat. No. Des. 920,100.

(51) **LOC (13) Cl.** ..... **09-07**

(52) **U.S. Cl.**  
USPC ..... **D9/434**

(58) **Field of Classification Search**  
USPC ..... D9/414, 416, 424, 432, 434, 435  
CPC B65D 55/024; B65D 43/0237; B65D 43/162;  
B65D 2543/00194; B65D 2543/00296  
See application file for complete search history.

(57) **CLAIM**

The ornamental design for tab for a tamper-evident container, as shown and described.

(56) **References Cited**

U.S. PATENT DOCUMENTS

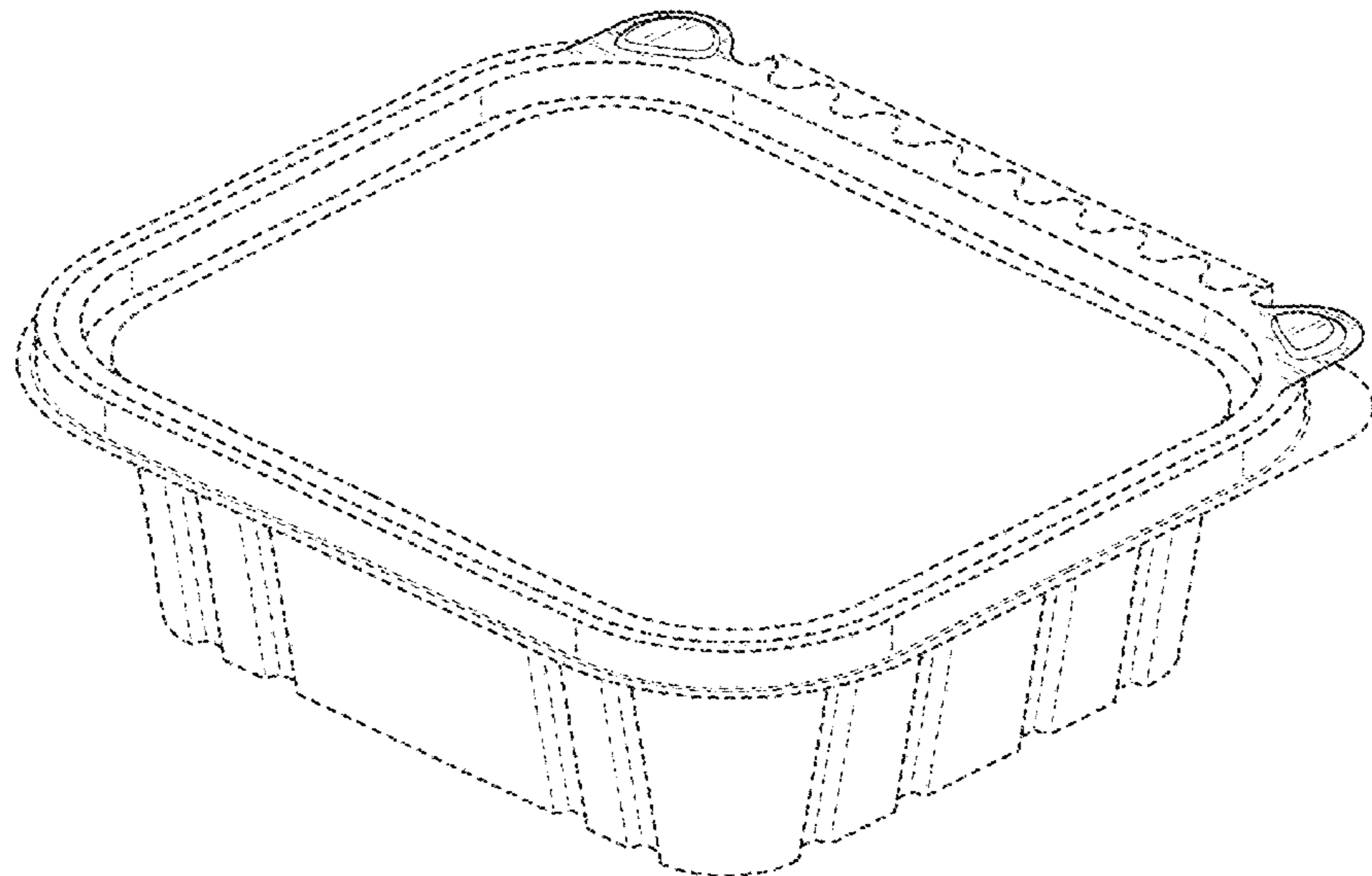
3,059,830	A	10/1962	Kramer	
3,693,866	A	9/1972	Struble	
5,041,317	A	8/1991	Greyvenstein	
5,046,659	A	9/1991	Warburton	
5,131,551	A	7/1992	Wells	
D365,273	S *	12/1995	Indekeu	D9/434
5,507,406	A	4/1996	Urciuoli et al.	
5,584,408	A	12/1996	Orkisz	
5,758,791	A	6/1998	Mangla	
5,897,011	A *	4/1999	Brilliant	B65D 43/162 220/4.23
5,938,068	A	8/1999	Atkins et al.	
6,092,687	A	7/2000	Hupp et al.	

(Continued)

**DESCRIPTION**

FIG. 1 is a perspective view of tab for a tamper-evident container of our design;  
FIG. 2 is a perspective view of tab for the tamper-evident container of FIG. 1, shown in an open position;  
FIG. 3 is a back view of tab for the tamper-evident container of FIG. 1;  
FIG. 4 is a front view of tab for the tamper-evident container of FIG. 1;  
FIG. 5 is a side view of tab for the tamper-evident container of FIG. 1;  
FIG. 6 is a side view of tab for the tamper-evident container of FIG. 1;  
FIG. 7 is a top view of tab for the tamper-evident container of FIG. 1; and,  
FIG. 8 is a bottom view of tab for the tamper-evident container of FIG. 1.

**1 Claim, 8 Drawing Sheets**



(56)

References Cited

U.S. PATENT DOCUMENTS

D432,859 S \* 10/2000 Hayes ..... D7/392.1  
 6,269,969 B1 8/2001 Huang et al.  
 6,609,623 B2 8/2003 Chou  
 6,651,813 B2 11/2003 Vallans et al.  
 D516,859 S \* 3/2006 Zettle ..... D7/392.1  
 7,073,680 B2 7/2006 Boback et al.  
 7,118,003 B2 10/2006 Sellari et al.  
 7,712,626 B2 5/2010 Vovan  
 7,992,743 B2 8/2011 Vovan  
 D646,563 S \* 10/2011 Bontrager ..... D9/425  
 8,251,249 B1 8/2012 Vovan  
 8,360,262 B2 1/2013 Vovan  
 D675,517 S 2/2013 Garza  
 8,608,008 B2 12/2013 Gingras et al.  
 8,795,580 B2 8/2014 Sellari et al.  
 8,833,589 B2 9/2014 Vovan  
 8,939,307 B2 1/2015 Gingras et al.  
 9,016,503 B2 4/2015 Barbier et al.  
 9,132,942 B2 \* 9/2015 Nikaein ..... B65D 43/0249  
 9,242,769 B2 1/2016 Gartz et al.  
 9,365,331 B2 6/2016 Gingras et al.  
 9,409,683 B2 8/2016 Gingras et al.  
 9,493,277 B2 11/2016 Parikh et al.  
 9,527,640 B2 12/2016 Sellari et al.  
 9,624,009 B2 \* 4/2017 Gingras ..... B65D 43/16  
 9,630,756 B2 4/2017 Sellari et al.  
 9,944,436 B2 4/2018 Kalmanides  
 D824,759 S 8/2018 Ahmed et al.  
 D876,222 S \* 2/2020 Carr ..... D9/434  
 10,870,519 B2 12/2020 Lotfi et al.  
 D920,100 S \* 5/2021 Murphy ..... D9/434  
 2006/0289549 A1 \* 12/2006 Vovan ..... B65D 43/0254  
 220/791  
 2010/0102074 A1 \* 4/2010 Parikh ..... B65D 41/32  
 220/810  
 2011/0000929 A1 \* 1/2011 Brown ..... B65D 43/162  
 220/810  
 2011/0036842 A1 \* 2/2011 Sellari ..... B65D 55/024  
 220/315  
 2012/0048774 A1 \* 3/2012 Gingras ..... B65D 43/0235  
 206/565  
 2012/0067009 A1 \* 3/2012 Bontrager ..... B65D 43/0237  
 53/467  
 2012/0181280 A1 7/2012 Barbier et al.  
 2013/0160406 A1 6/2013 Johnston  
 2014/0190970 A1 7/2014 Huang  
 2014/0284346 A1 \* 9/2014 McCumber ..... B65D 43/162  
 220/792  
 2015/0060455 A1 3/2015 Chou  
 2015/0298853 A1 \* 10/2015 Chen ..... B65D 43/0254  
 220/270  
 2015/0307239 A1 \* 10/2015 Chen ..... B65D 43/162  
 220/270

2015/0367987 A1 \* 12/2015 Clark ..... B65D 77/2024  
 220/23.86  
 2016/0016707 A1 1/2016 Sellari et al.  
 2016/0023815 A1 \* 1/2016 Siskindovich ..... B65D 1/34  
 220/270  
 2016/0096663 A1 4/2016 Lotfi et al.  
 2016/0236837 A1 \* 8/2016 Malcolm ..... B65D 43/162  
 2017/0001401 A1 1/2017 Dais et al.  
 2017/0001766 A1 \* 1/2017 Cimmerer ..... B65D 43/162  
 2017/0233156 A1 8/2017 Shukla et al.  
 2017/0305616 A1 10/2017 Barbier et al.  
 2018/0118421 A1 5/2018 Allers et al.  
 2018/0170629 A1 6/2018 Phan et al.  
 2018/0346193 A1 \* 12/2018 Hanna ..... B65D 21/0233  
 2019/0084736 A1 3/2019 Pohlman  
 2019/0127125 A1 5/2019 Thierry et al.  
 2019/0291927 A1 9/2019 Farach  
 2020/0055642 A1 \* 2/2020 Barbier ..... B65D 43/0268  
 2020/0115117 A1 4/2020 Tsertsvadze  
 2020/0239208 A1 \* 7/2020 Lam ..... B65D 43/162  
 2020/0331674 A1 10/2020 Murphy  
 2020/0369439 A1 \* 11/2020 Schuler ..... B65D 43/22  
 2020/0399018 A1 \* 12/2020 Mueller ..... B65D 51/1677

FOREIGN PATENT DOCUMENTS

CA 2748213 A1 2/2012  
 CA 3003184 A1 2/2012  
 GB 2 412 651 A 10/2005  
 WO WO 2005/009857 A1 2/2005  
 WO WO 2010/038080 A1 4/2010

OTHER PUBLICATIONS

U.S. Appl. No. 16/385,145 (2020/0331674), filed Apr. 16, 2019 (Oct. 22, 2020).  
 U.S. Appl. No. 29/687,781, dated Apr. 26, 2021 Issue Fee Payment.  
 U.S. Appl. No. 29/687,781, dated Jan. 27, 2021 Notice of Allowance.  
 U.S. Appl. No. 29/687,781, dated Jan. 14, 2021 Continued Prosecution Application.  
 U.S. Appl. No. 29/687,781, dated Jan. 14, 2021 Response to Notice of Allowance.  
 U.S. Appl. No. 29/687,781, dated Oct. 14, 2020 Notice of Allowance.  
 U.S. Appl. No. 29/687,781, dated Sep. 22, 2020 Response to Non-Final Office Action.  
 U.S. Appl. No. 29/687,781, dated Jun. 22, 2020 Non-Final Office Action.  
 U.S. Appl. No. 16/385,145, dated Aug. 26, 2021 Final Office Action.  
 U.S. Appl. No. 16/385,145, dated May 10, 2021 Response to Non-Final Office Action.  
 U.S. Appl. No. 16/385,145, dated Nov. 13, 2020 Non-Final Office Action.

\* cited by examiner

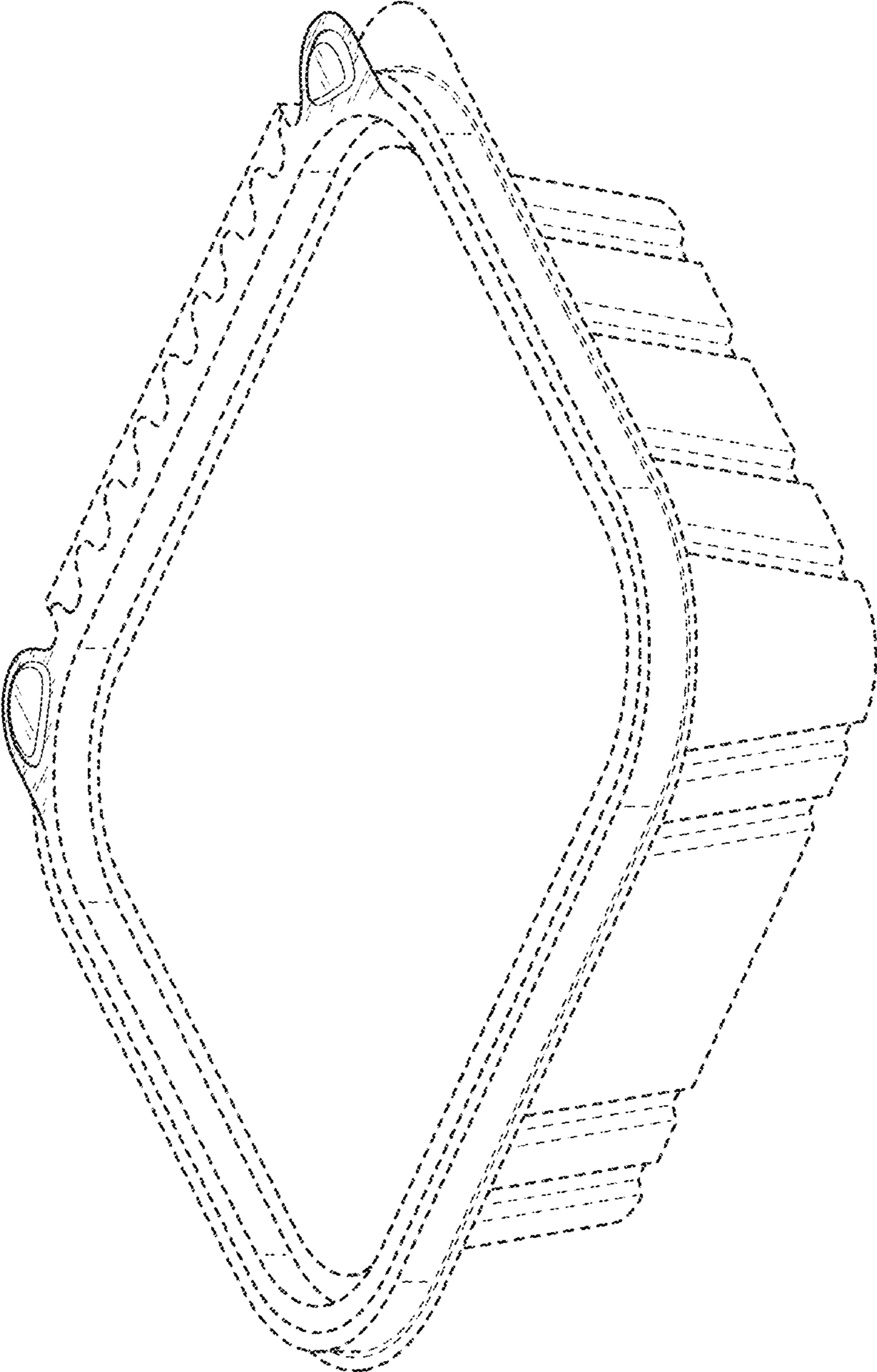


FIG. 1

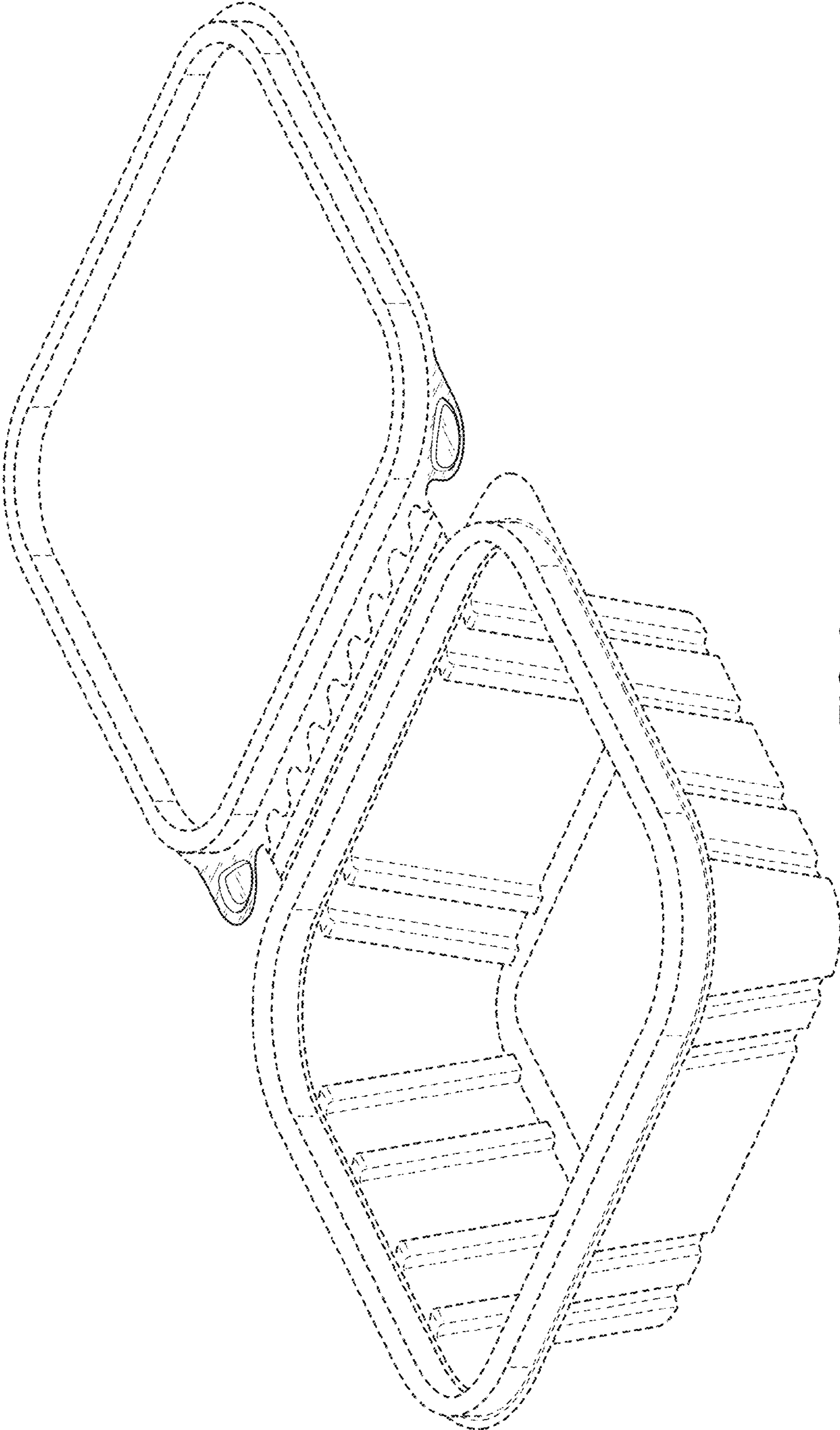


FIG. 2

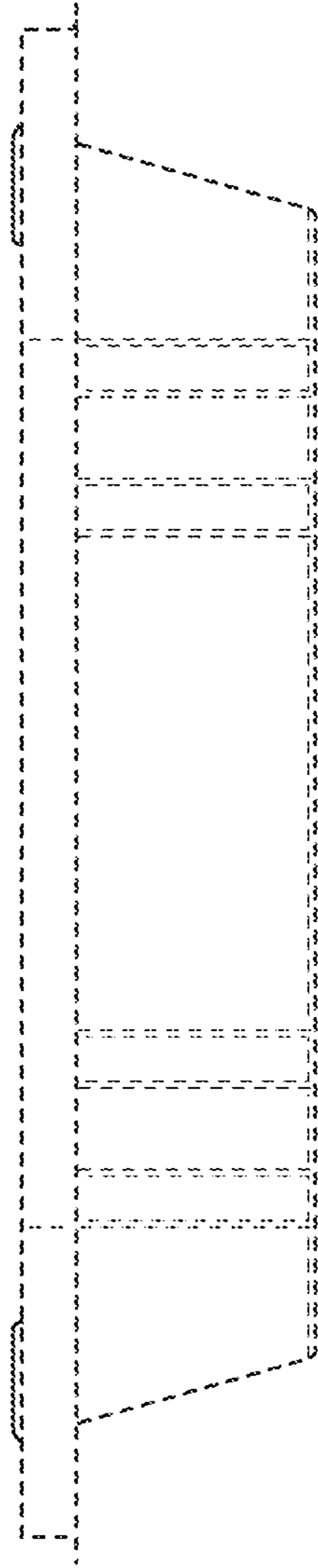


FIG. 3

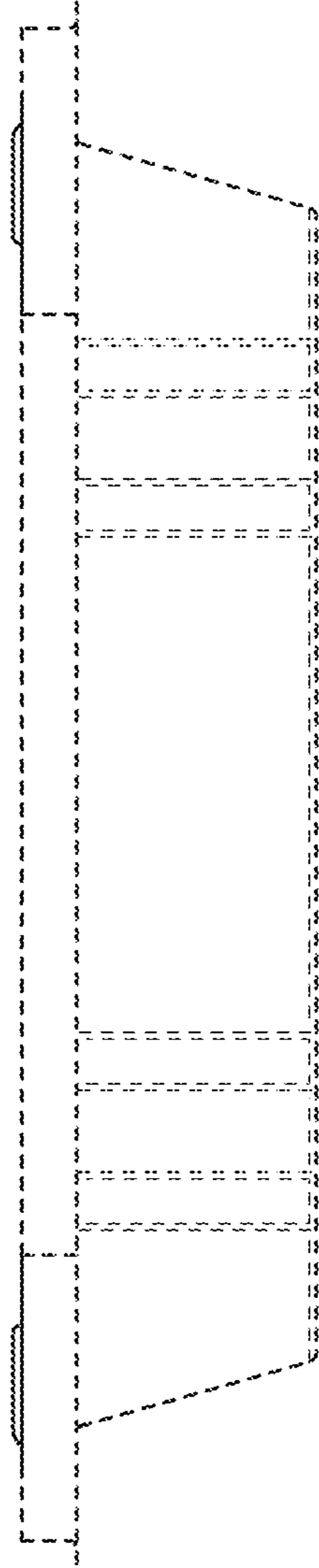


FIG. 4

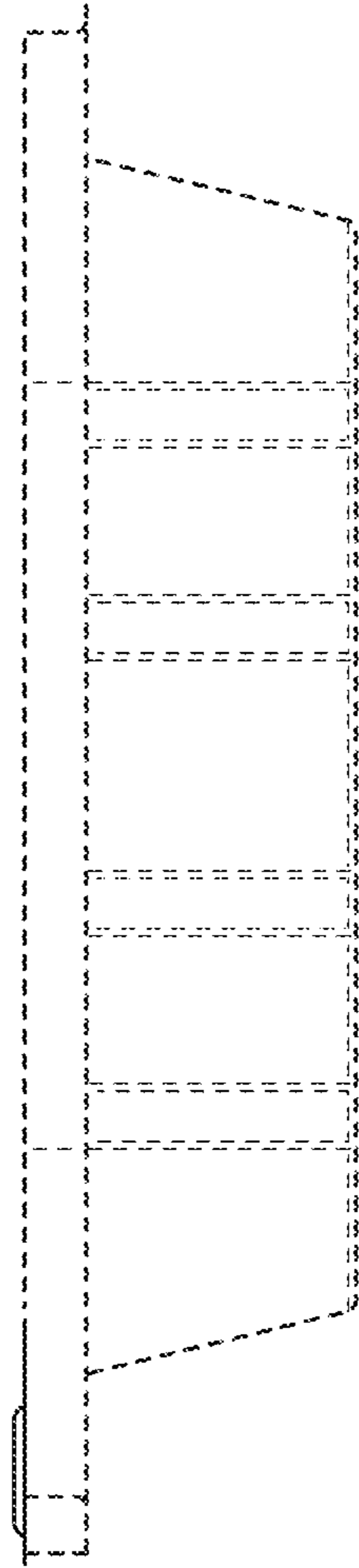


FIG. 5

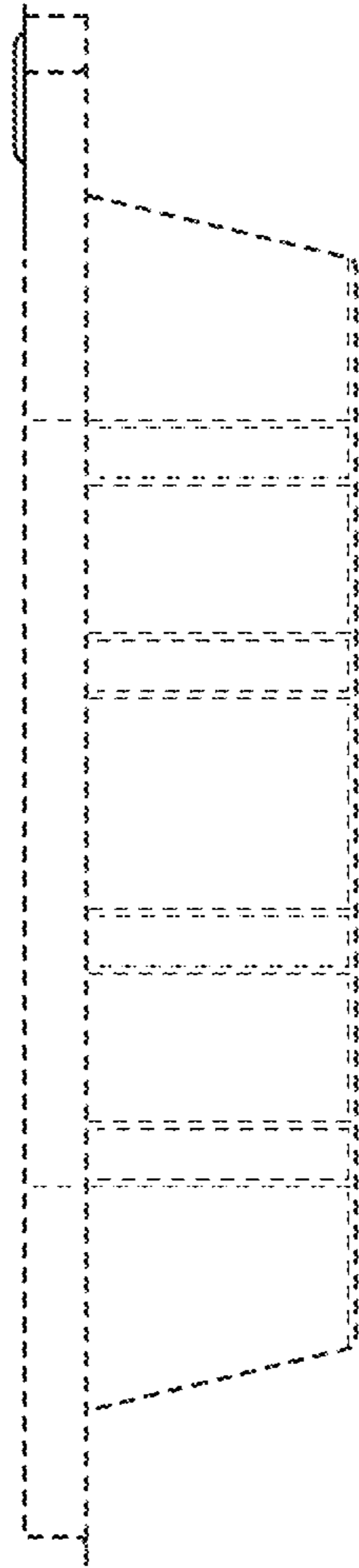


FIG. 6



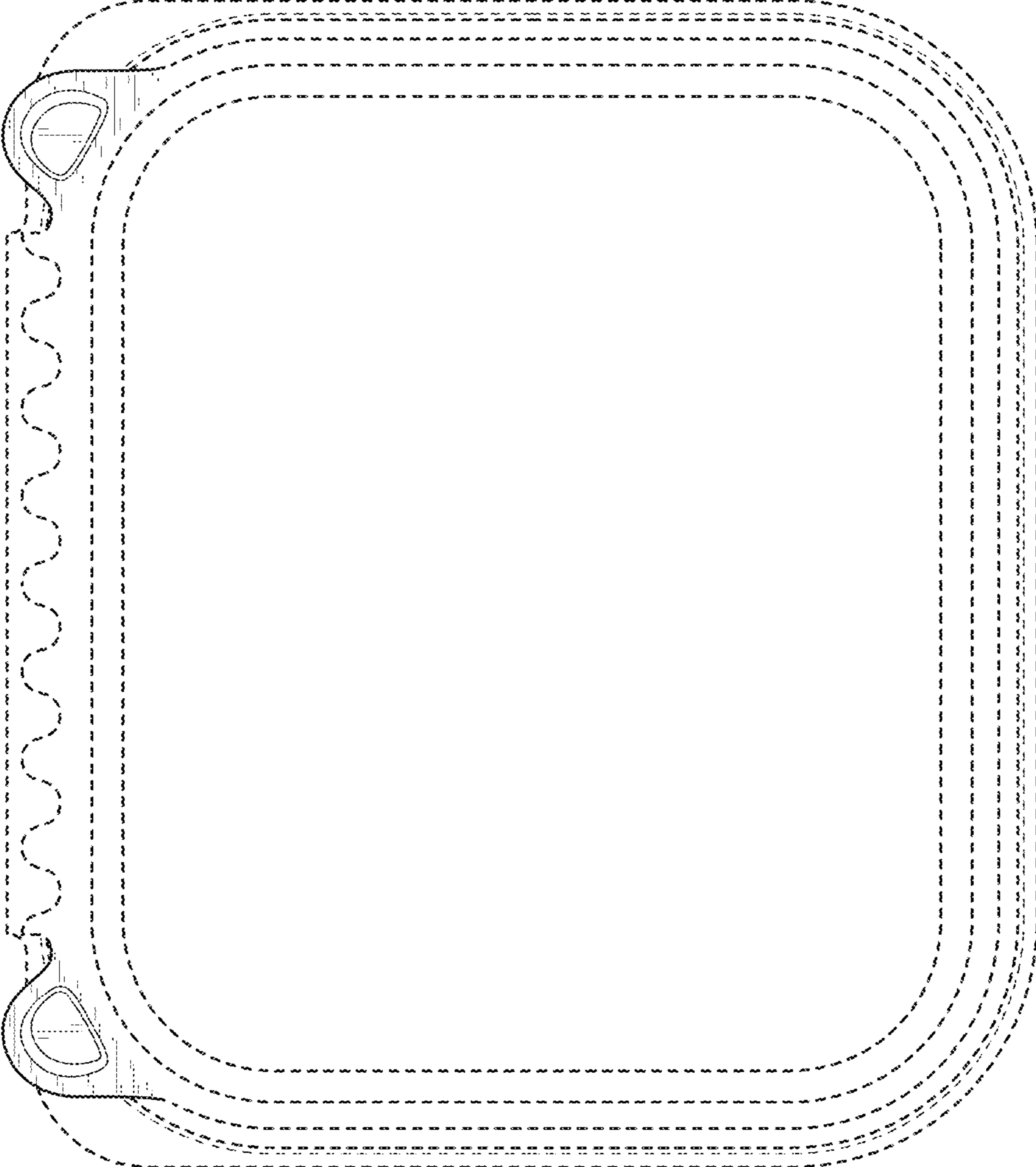


FIG. 7

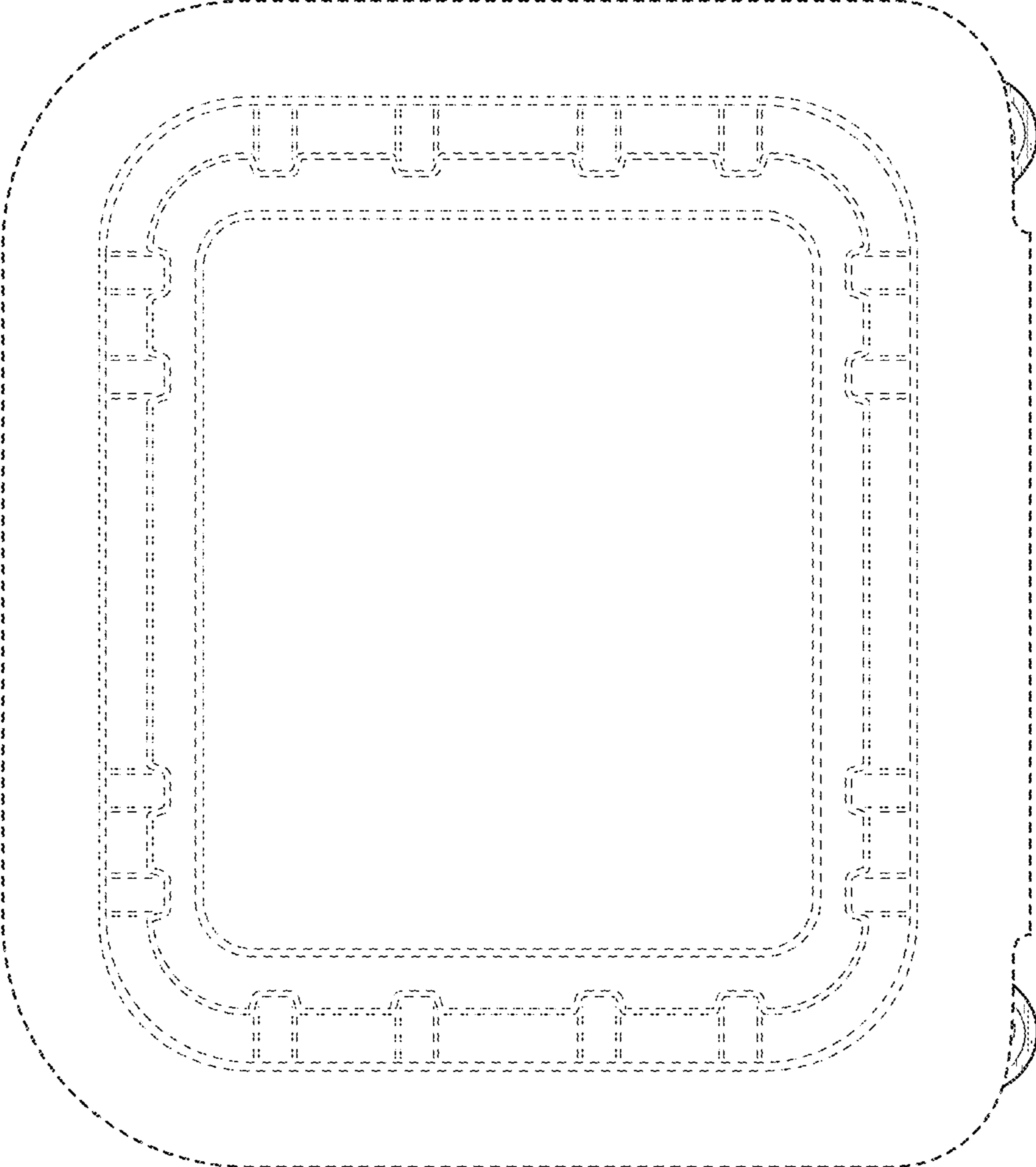


FIG. 8