



US00D961382S

(12) **United States Design Patent** (10) **Patent No.:** **US D961,382 S**
Kojime (45) **Date of Patent:** **** Aug. 23, 2022**

(54) **PACKAGING CONTAINER**
(71) Applicant: **TOPPAN PRINTING CO., LTD.**,
Tokyo (JP)
(72) Inventor: **Isao Kojime**, Tokyo (JP)
(73) Assignee: **Toppan Printing Co., LTD**, Tokyo (JP)
(**) Term: **15 Years**

D814,916 S * 4/2018 Hoekstra D9/414
D844,430 S * 4/2019 Dammers D9/431
D867,869 S * 11/2019 Rennette D9/415
D887,830 S * 6/2020 Kirchen D9/431
(Continued)

(21) Appl. No.: **29/736,801**
(22) Filed: **Jun. 3, 2020**

FOREIGN PATENT DOCUMENTS

JP D1339948 S 9/2008
JP D1340029 S 9/2008
(Continued)

(30) **Foreign Application Priority Data**

Dec. 5, 2019 (JP) 2019-026991

OTHER PUBLICATIONS

Youtube. Bio-based caps; A simple way to make a difference.
Published by Tetra Pak on Nov. 7, 2014. Visited Nov. 26, 2021.
<https://www.youtube.com/watch?v=oSbgiOvhBVw> (Year: 2014).*
(Continued)

(51) **LOC (13) Cl.** **09-03**
(52) **U.S. Cl.**
USPC **D9/431; D9/432**
(58) **Field of Classification Search**
USPC D9/414-418, 420, 423, 438, 614, 621,
D9/623, 625, 628, 422, 426, 430-434,
D9/455, 456, 499, 435, 439, 440, 447,
D9/421, 424, 425, 427; D7/601, 602,
D7/609, 610, 213; D3/270-273
CPC ... B65D 5/20; B65D 5/54; B65D 5/66; B65D
5/68
See application file for complete search history.

Primary Examiner — Darcey E Gottschalk
Assistant Examiner — Vanessa M. Pursley
(74) *Attorney, Agent, or Firm* — Squire Patton Boggs
(US) LLP

(57) **CLAIM**

The ornamental design for a packaging container, as shown and described.

DESCRIPTION

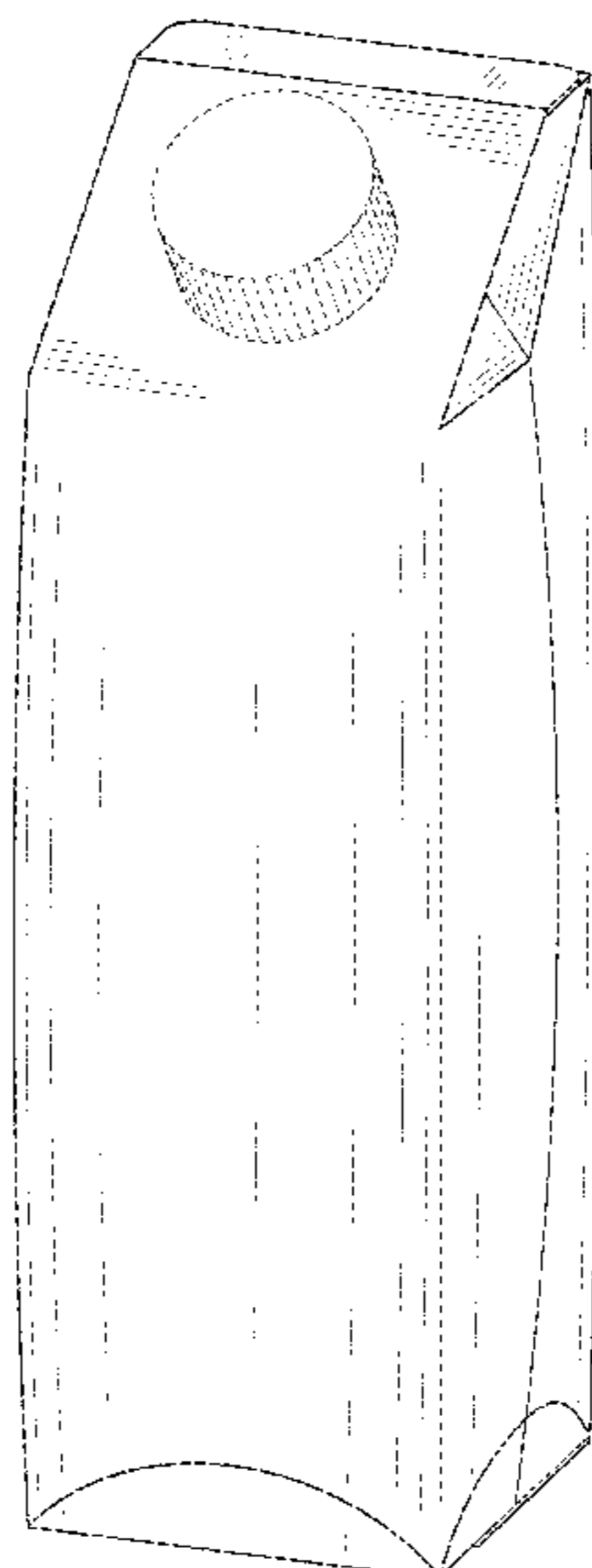
FIG. 1 is a front perspective view of a packaging container showing my new design;
FIG. 2 is a front view thereof;
FIG. 3 is a rear view thereof;
FIG. 4 is a top plan view thereof;
FIG. 5 is a bottom plan view thereof;
FIG. 6 is a right side view thereof; and,
FIG. 7 is a left side view thereof.
The broken lines illustrate portions of the packaging container that form no part of the claimed design.

(56) **References Cited**

U.S. PATENT DOCUMENTS

D391,847 S * 3/1998 Seo D9/417
D436,032 S * 1/2001 Croft D9/416
D454,302 S * 3/2002 Dammers D9/417
D503,087 S * 3/2005 Dzwil D3/264
D699,105 S * 2/2014 Franic D9/431
D702,117 S * 4/2014 Dagnino D9/417
D714,636 S * 10/2014 Dagnino D9/417
D775,946 S * 1/2017 Ghini D9/430
D795,686 S * 8/2017 Mohn D9/417

1 Claim, 6 Drawing Sheets



(56)

References Cited

U.S. PATENT DOCUMENTS

D919,431 S * 5/2021 Dammers D9/431
 D935,880 S * 11/2021 Trovaag D9/431

FOREIGN PATENT DOCUMENTS

JP D1582957 S 8/2017
 JP D1586469 S 9/2017
 JP D1586953 S 10/2017
 JP D1587334 S 10/2017
 JP D1593878 S 12/2017
 JP D1593879 S 12/2017
 JP D1595412 S 1/2018
 JP D1598663 S 3/2018
 JP D1599088 S 3/2018
 JP D1599089 S 3/2018
 JP D1599522 S 3/2018
 JP D1610361 S 8/2018
 JP D1624462 S 2/2019
 JP D1624463 S 2/2019

JP D1625907 S 3/2019
 JP D1629203 S 4/2019
 JP D1629204 S 4/2019
 JP D1629206 S 4/2019
 JP D1629208 S 4/2019
 JP D1629586 S 4/2019
 JP D1629587 S 4/2019
 JP D1629589 S 4/2019
 JP D1629591 S 4/2019

OTHER PUBLICATIONS

Behance. Tropicana Juice Packaging. Published by Erin W. Bishop on Jul. 23, 2014. Visited Nov. 26, 2021. <https://www.behance.net/gallery/17867361/Tropicana-Juice-Packaging> (Year: 2014).*

The Food Tech. Technologies for packaging liquids in carton by Carlos Juarez. Publication date unavailable. Visited Nov. 26, 2021. <https://thefoodtech.com/disenio-e-innovacion-para-empaque/tecnologias-para-ensado-de-liquidos-en-carton/> (Year: 0).*

* cited by examiner

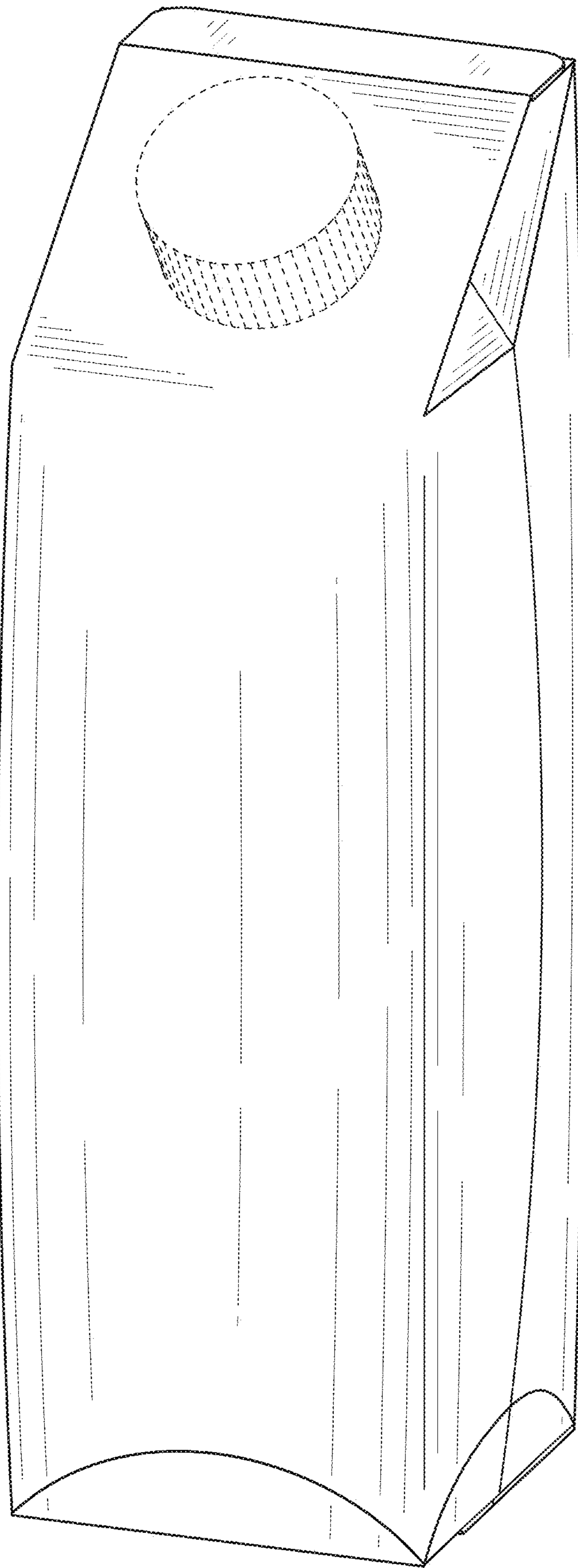


FIG. 1

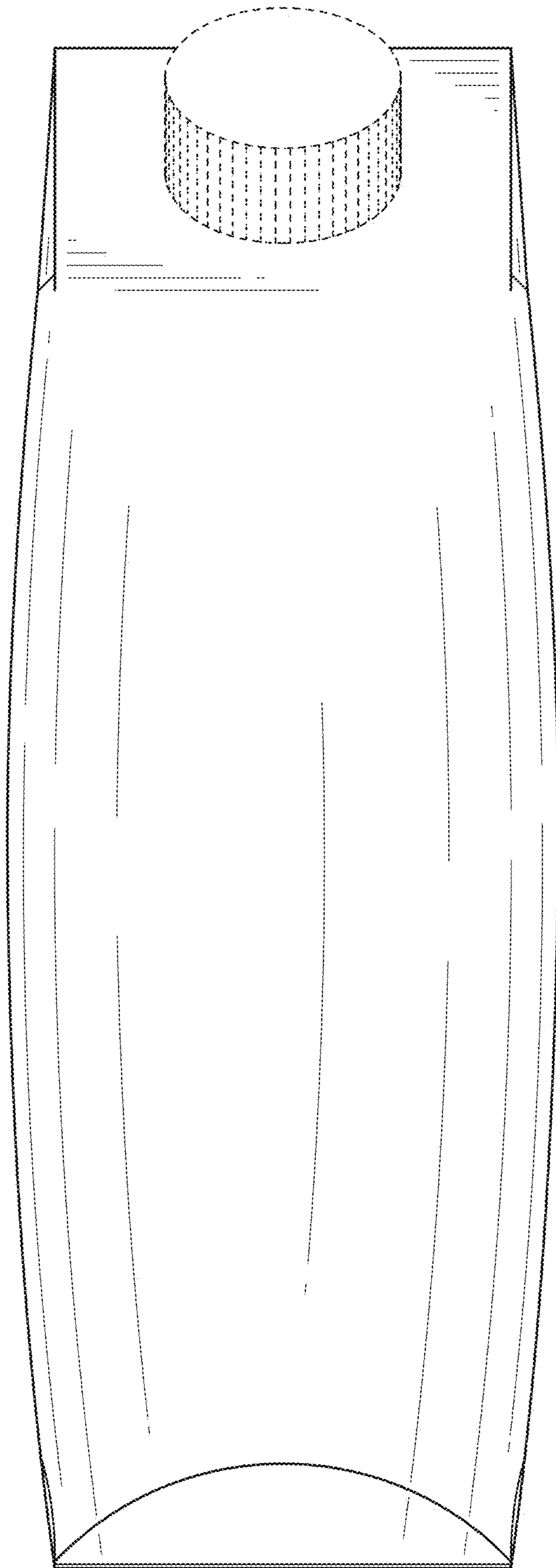


FIG. 2

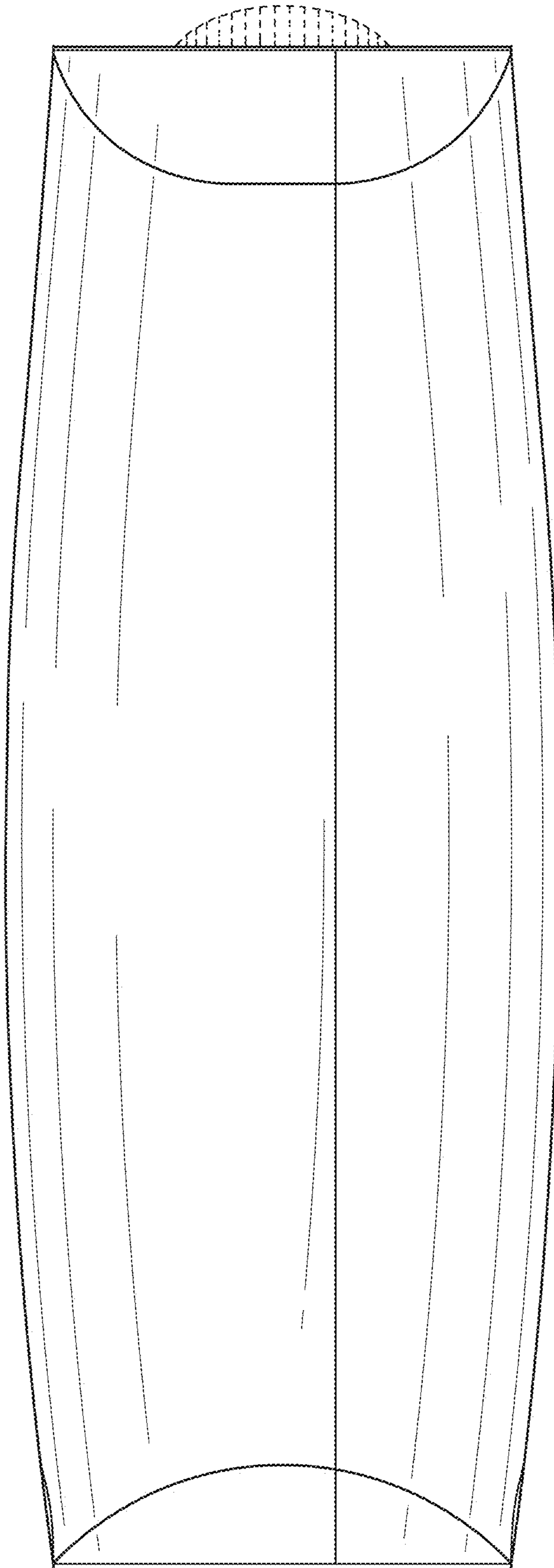


FIG. 3

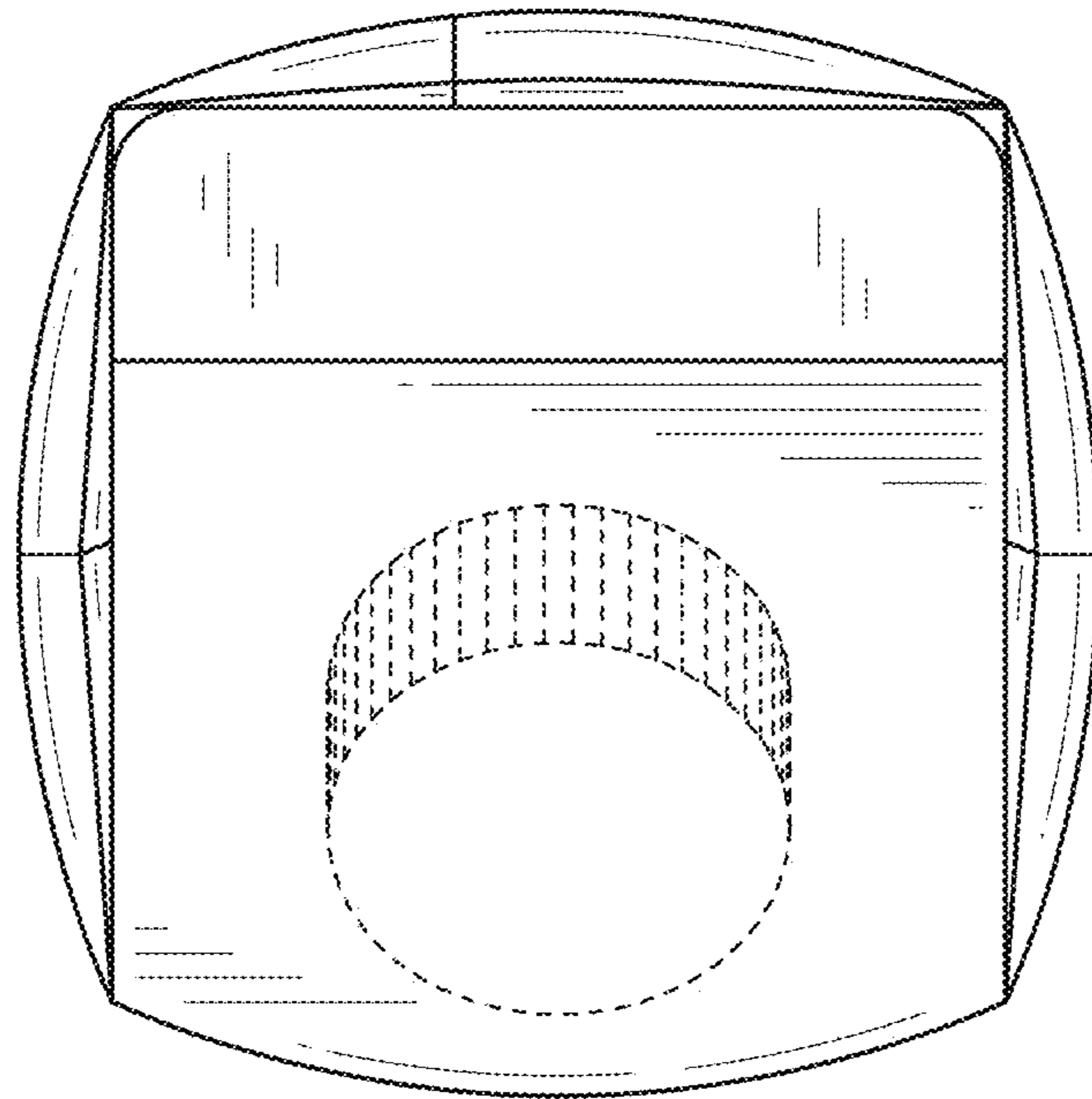


FIG. 4

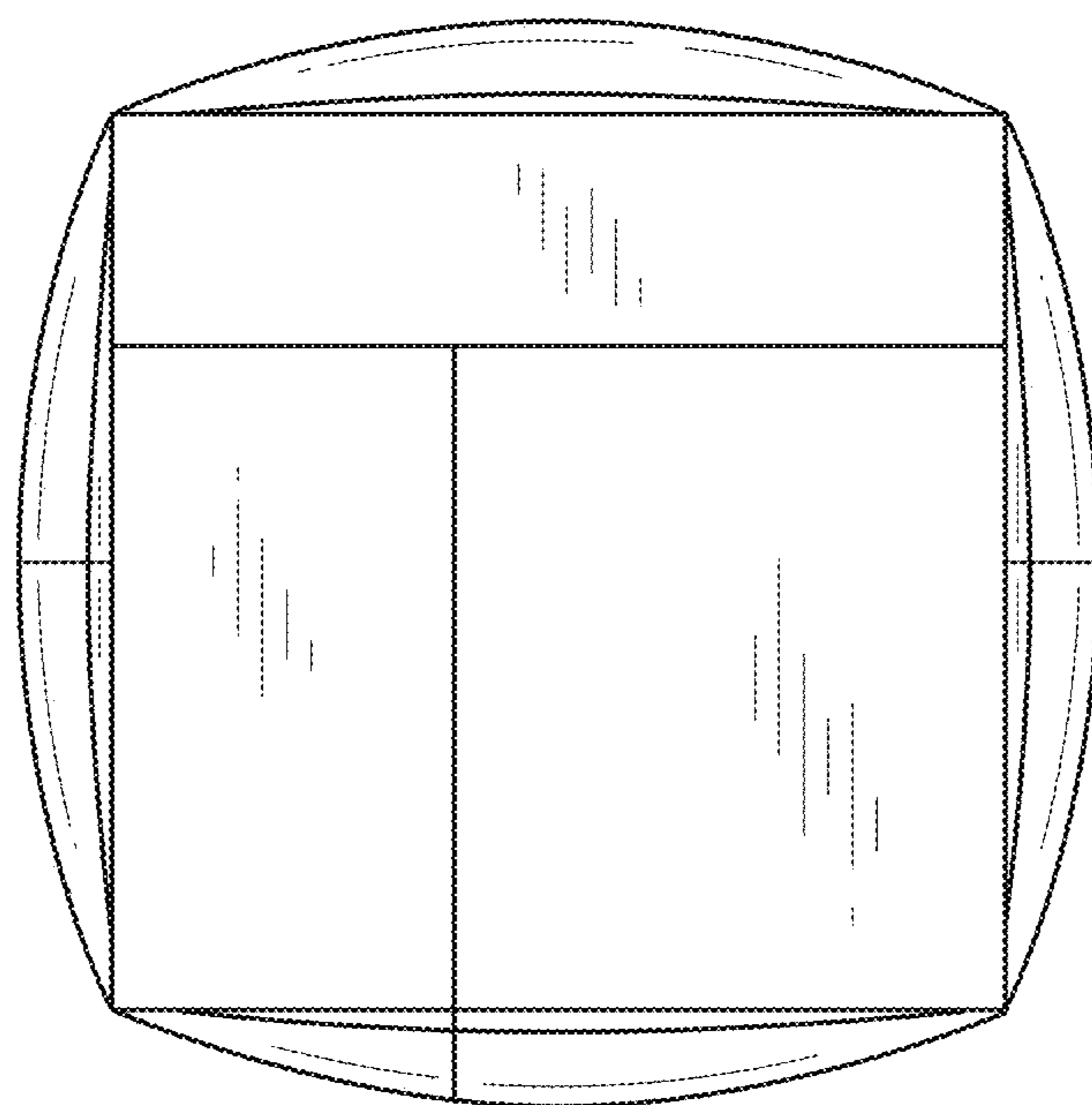


FIG. 5

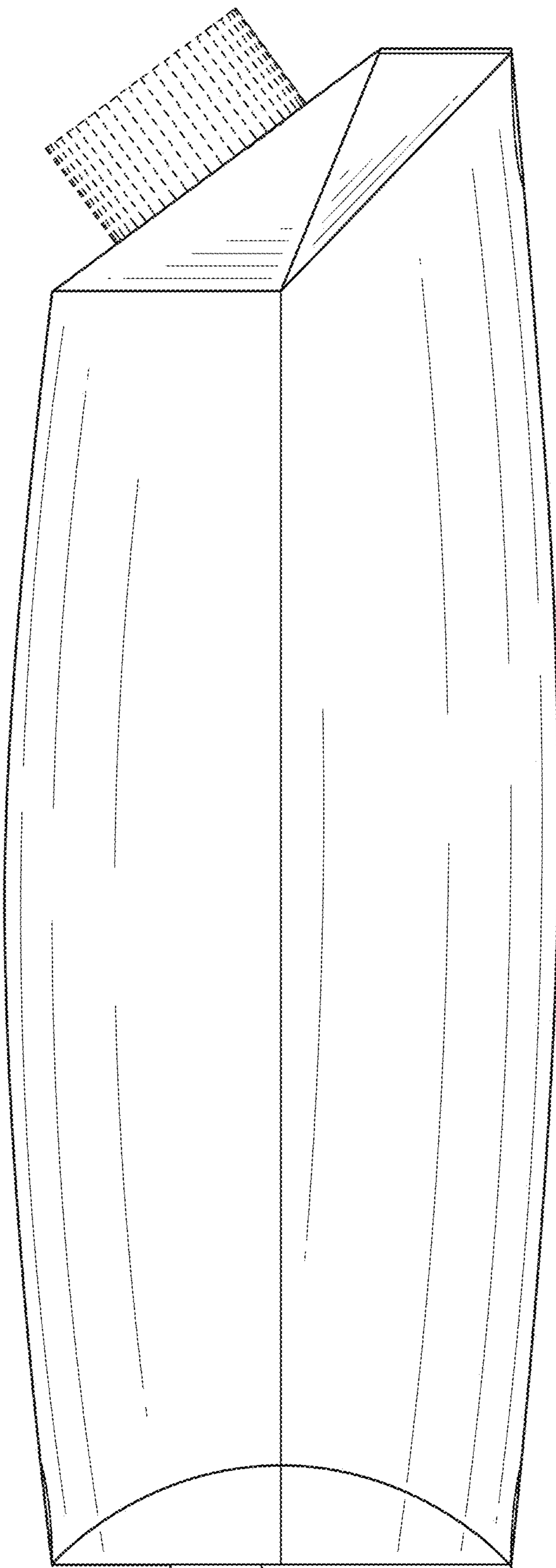


FIG. 6

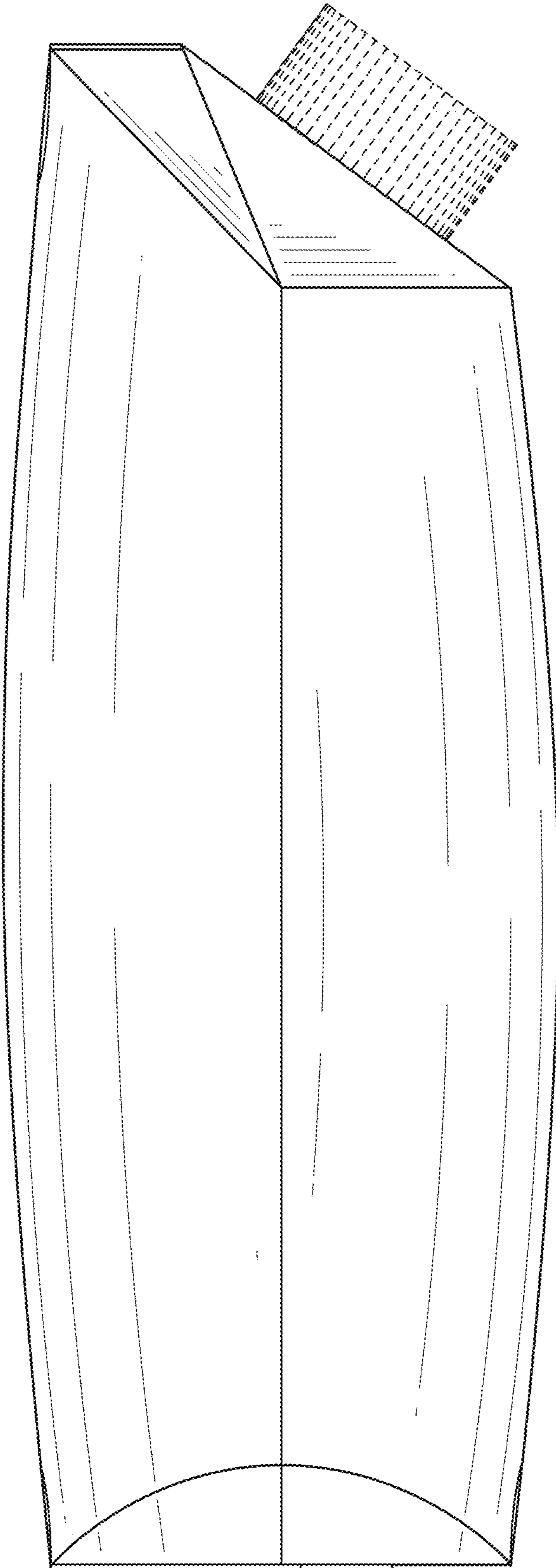


FIG. 7