



US00D961379S

(12) **United States Design Patent**
Shiota

(10) **Patent No.:** **US D961,379 S**

(45) **Date of Patent:** **** Aug. 23, 2022**

(54) **COSMETIC FACE MASK STORAGE CASE**

(71) Applicant: **Emiko Shiota**, Tokyo (JP)

(72) Inventor: **Emiko Shiota**, Tokyo (JP)

(73) Assignee: **SHISEIDO COMPANY, LIMITED**,
Tokyo (JP)

(**) Term: **15 Years**

(21) Appl. No.: **29/746,731**

(22) Filed: **Aug. 17, 2020**

(51) **LOC (13) Cl.** **09-03**

(52) **U.S. Cl.**
USPC **D9/425**; D9/424

(58) **Field of Classification Search**
USPC D9/414, 415, 418, 420, 421, 423,
D9/424-426, 428, 430-432, 499, 732,
D9/737, 434, 435, 455, 456, 711;
D24/110.1; D28/4, 9, 73, 76, 82, 83, 99;
D3/205, 304
CPC A47J 36/06; B65D 43/162; B65D
2543/00537

See application file for complete search history.

(56) **References Cited**

U.S. PATENT DOCUMENTS

660,782	A	*	10/1900	Strumpell	G09B 23/36	D11/131
D276,702	S	*	12/1984	Entenmann	D9/456	
D276,794	S	*	12/1984	Urion	D9/420	
D323,986	S	*	2/1992	Ferrero	D9/418	
D332,048	S	*	12/1992	Pennell	D9/423	
D343,575	S	*	1/1994	Edelson	D9/415	
D410,114	S	*	5/1999	Carabello	D28/66	
D420,172	S	*	2/2000	Thorpe	D28/82	
D441,286	S	*	5/2001	Clarke	D9/415	
D517,406	S	*	3/2006	Connolly	D9/430	
D551,090	S	*	9/2007	Tsutsumi	D9/732	
D596,023	S	*	7/2009	Moskowitz	D9/418	

D608,653	S	*	1/2010	MacGillivray	D9/624
D631,603	S	*	1/2011	Tajima	D28/4
D638,164	S	*	5/2011	Tajima	D28/4
D677,837	S	*	3/2013	Moskovich	D28/66
D686,911	S	*	7/2013	Coble	D9/414
D759,314	S	*	6/2016	Goodman	D28/38
D774,901	S	*	12/2016	Geheran	D9/423

(Continued)

OTHER PUBLICATIONS

Amazon. 24K Gold Eye Mask. Publication date unavailable. Visited Mar. 30, 2022. <https://www.amazon.com/Under-Eye-Mask-Patches-Patch/dp/B07N93XF4Z/r> (Year: 0).*

(Continued)

Primary Examiner — Darcey E Gottschalk

Assistant Examiner — Vanessa M. Pursley

(74) *Attorney, Agent, or Firm* — Manabu Kanesaka

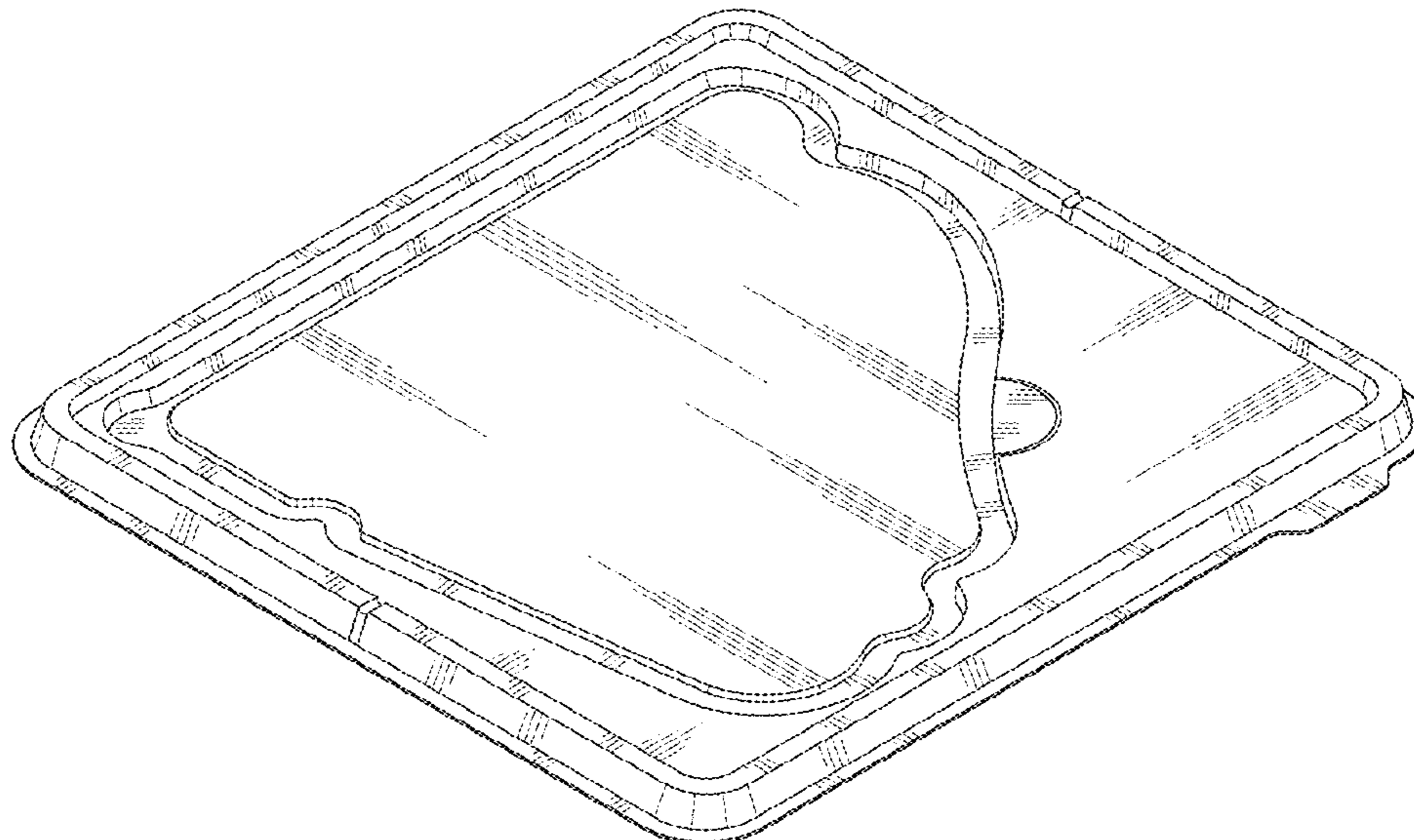
(57) **CLAIM**

The ornamental design for a cosmetic face mask storage case, as shown and described.

DESCRIPTION

FIG. 1 is a perspective view of a cosmetic face mask storage case showing my new design;
FIG. 2 is a front view thereof;
FIG. 3 is a rear view thereof;
FIG. 4 is a plan view thereof;
FIG. 5 is a bottom view thereof;
FIG. 6 is a left side view thereof;
FIG. 7 is a right side view thereof;
FIG. 8 is a cross-sectional end view thereof taken in the direction of line 8-8 of FIG. 4; and,
FIG. 9 is a cross-sectional end view thereof taken in the direction of line 9-9 of FIG. 4.
In FIG. 4, the broken line arrows represent sectional designations that form no part of the claim.

1 Claim, 3 Drawing Sheets



(56)

References Cited

U.S. PATENT DOCUMENTS

D807,737 S * 1/2018 Snedden D9/418
D934,493 S * 10/2021 Lim D28/4

OTHER PUBLICATIONS

Shiseido. LiftDefine Radiance Face Mask. Publication date unavailable. Visited Mar. 30, 2022. <https://www.shiseido.com/us/en/vital-perfection-liftdefine-radiance-face-mask-0729238169579.html#> (Year: 0).*

Amazon. 7 Types of Facial Mask Mold for DIY Face Mask Machine. Publication date unavailable. Visited Apr. 6, 2022. <https://www.amazon.com/Types-Facial-Machine-Reusable-Accessory/dp/B09B14SFMM> (Year: 0).*

Ubuy. Eye Mask Molds. Publication date unavailable. Visited Apr. 6, 2022. <https://www.ubuy.sk/en/product/1BHNRS95C-eye-mask-molds-25pcs-transparent-diy-under-eye-patches-molds-reusable-tray-plate-for-facial-mask-machine> (Year: 0).*

* cited by examiner

Fig.1

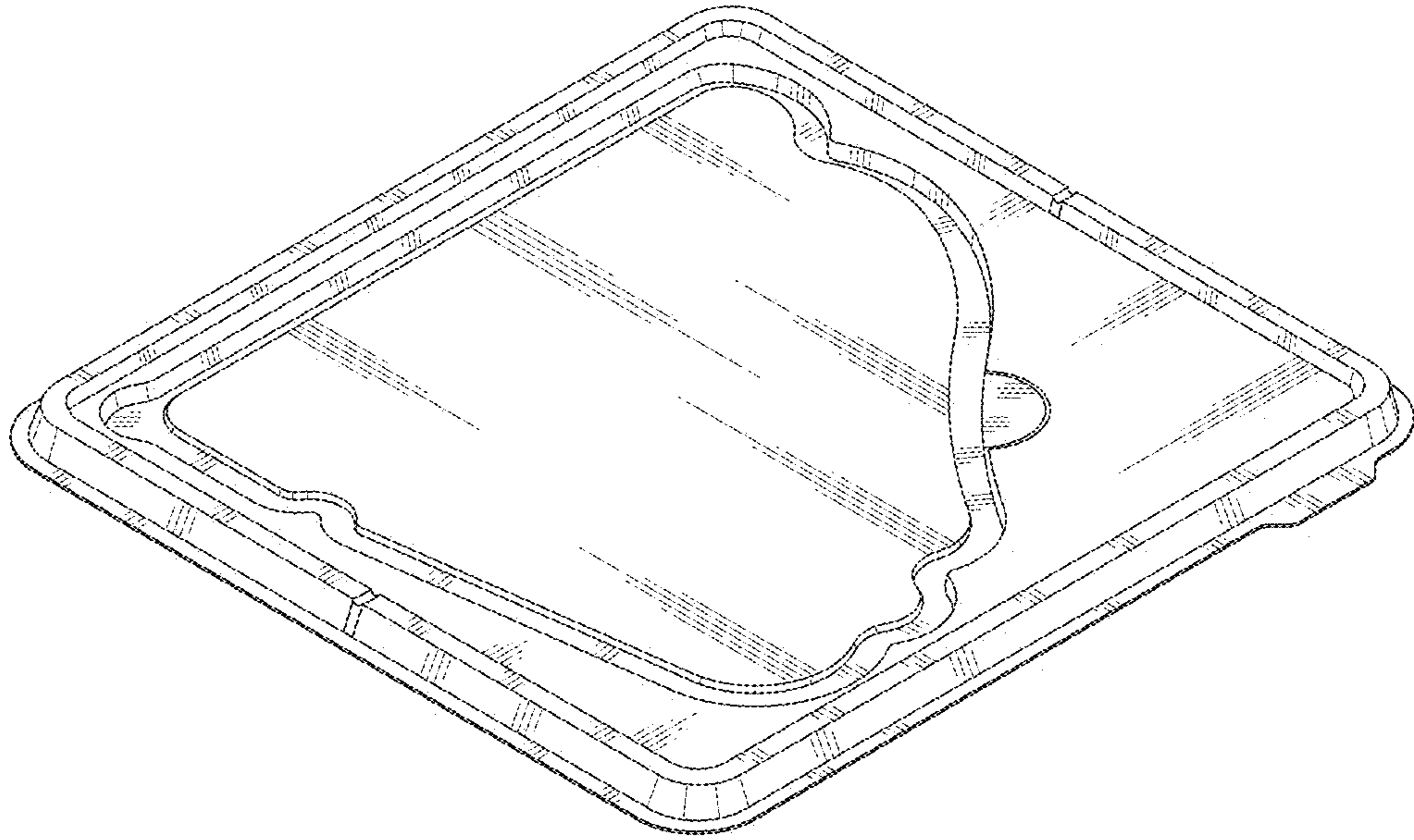


Fig.2

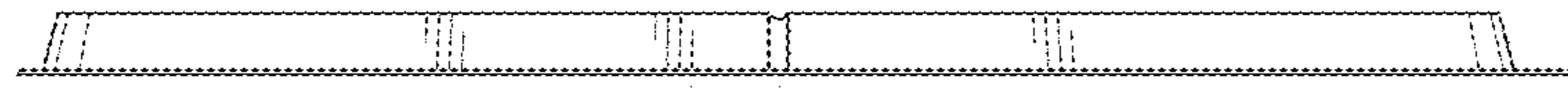


Fig.3

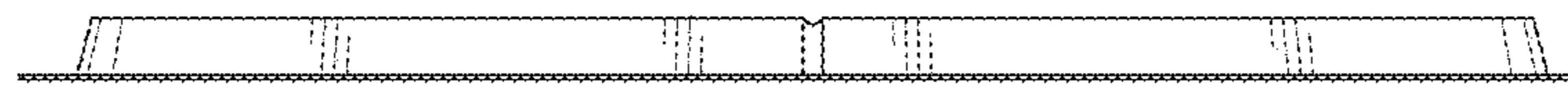


Fig.4

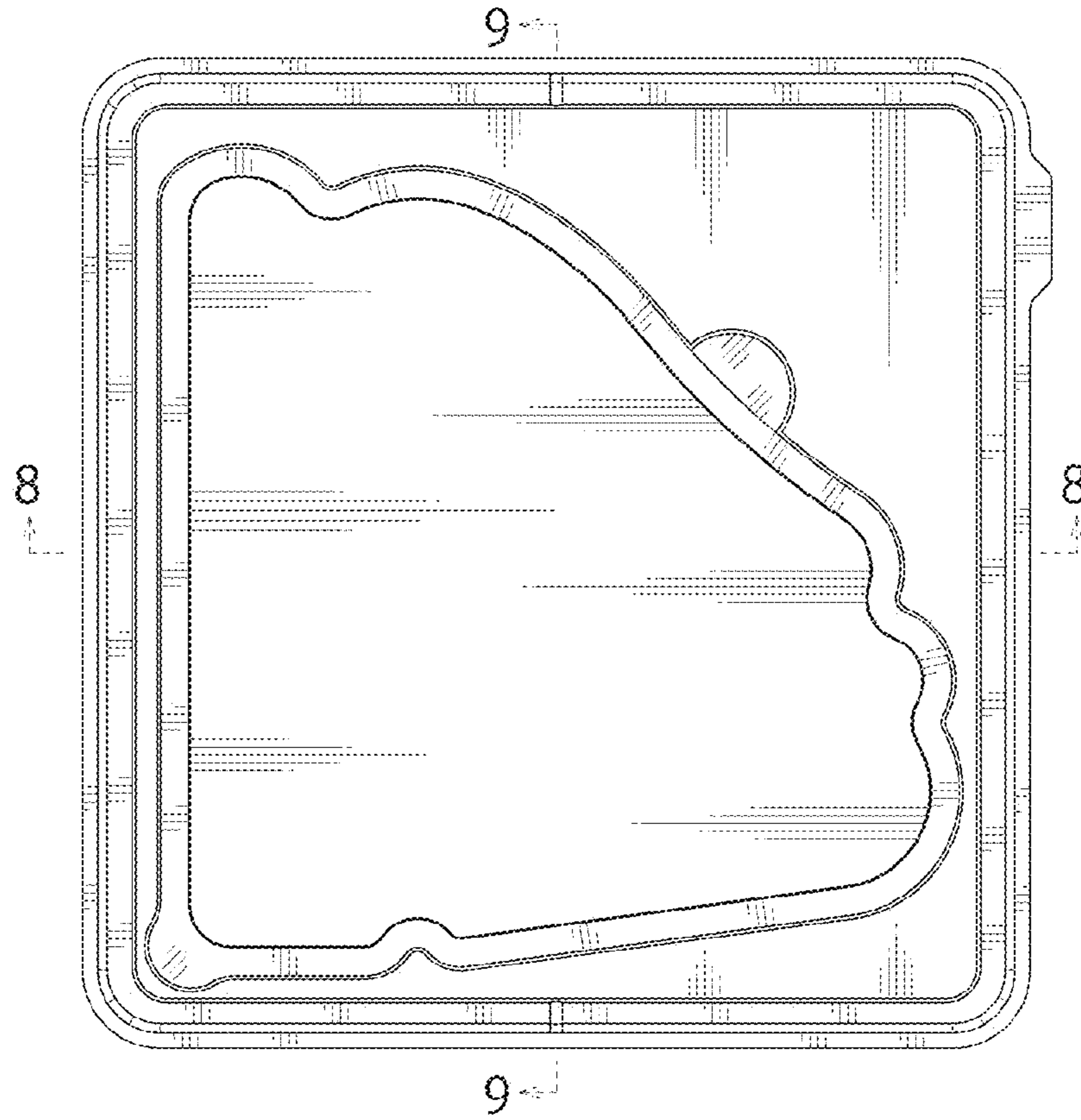


Fig.5

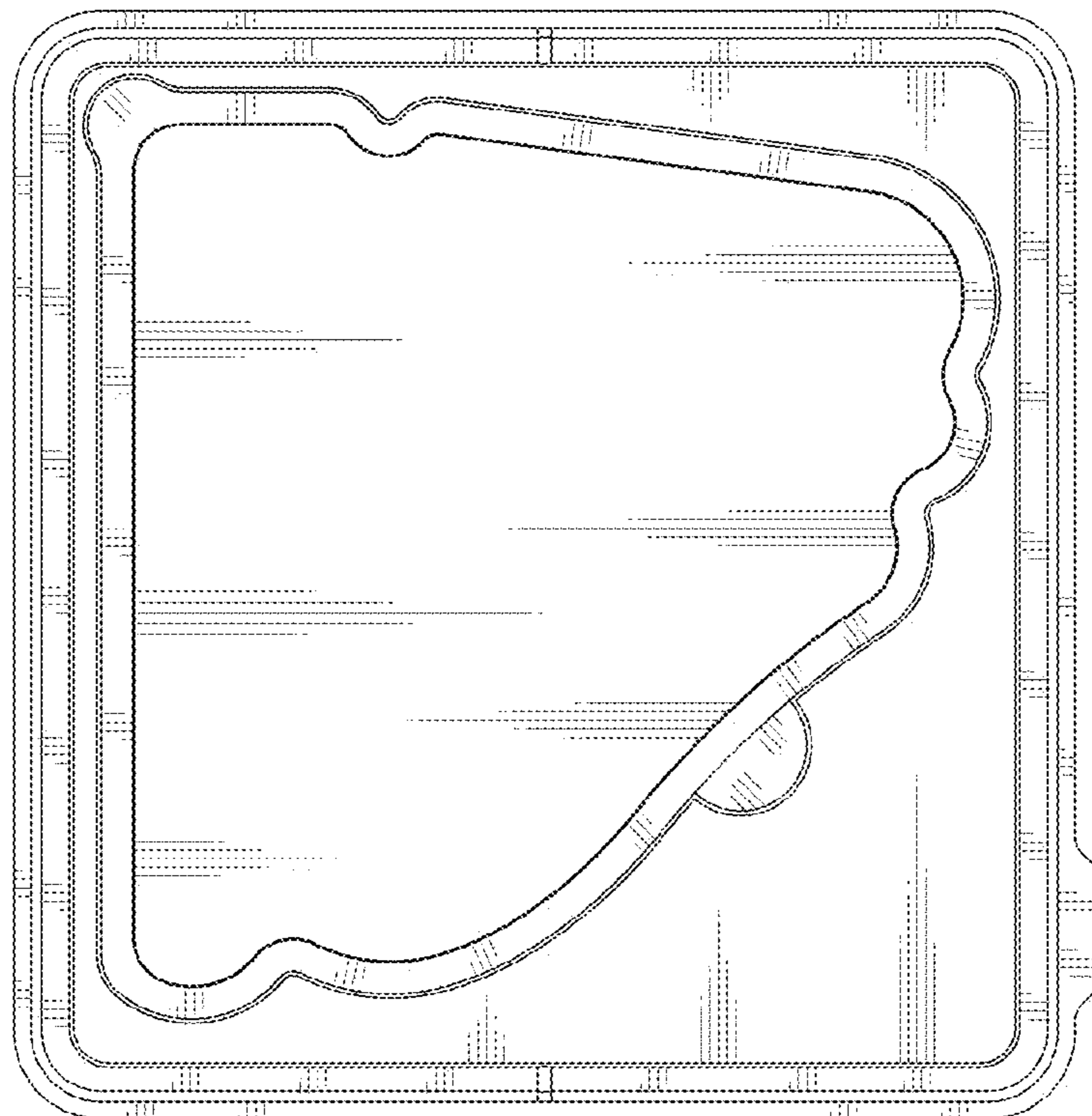


Fig.6

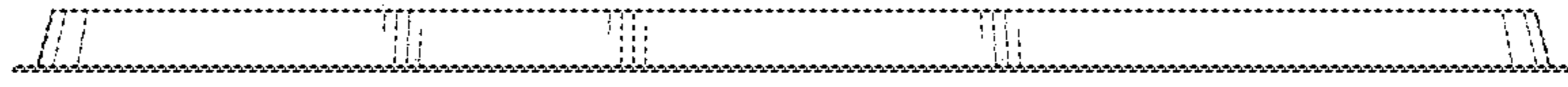


Fig.7

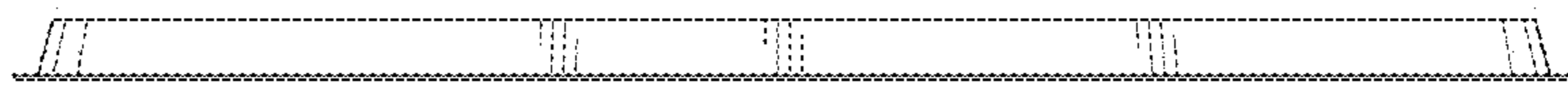


Fig.8

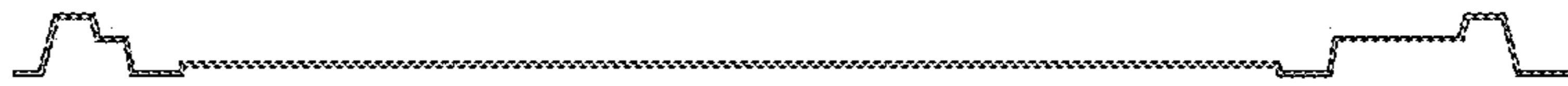


Fig.9

