



US00D961377S

(12) **United States Design Patent** (10) **Patent No.:** **US D961,377 S**  
**Cook et al.** (45) **Date of Patent:** **\*\* Aug. 23, 2022**

(54) **PACKAGING**

(71) Applicant: **Regeneran Pharmaceuticals, Inc.**,  
Tarrytown, NY (US)

(72) Inventors: **Andrew Cook**, Nottingham, PA (US);  
**Victor Bradford**, Troy, NY (US)

(73) Assignee: **Regeneron Pharmaceuticals, Inc.**,  
Tarrytown, NY (US)

(\*\*) Term: **15 Years**

(21) Appl. No.: **29/744,476**

(22) Filed: **Jul. 29, 2020**

(51) **LOC (13) Cl.** ..... **09-03**

(52) **U.S. Cl.**  
USPC ..... **D9/424; D9/737**

(58) **Field of Classification Search**  
USPC ..... D9/414, 415, 418, 420, 421, 423-426,  
D9/428, 430-432, 499, 732, 737, 455,  
D9/456; D24/229, 244, 226, 227, 230  
CPC ..... B65D 2301/20; B65D 25/22; B65D  
2543/00194; B65D 2575/3218; B65D  
2575/3245; B65D 2575/366; B65D  
2585/88; B65D 5/4204; B65D 5/4208;  
B65D 73/0007; B65D 73/0042; B65D  
75/22; B65D 75/32; B65D 75/322; B65D  
75/326; B65D 75/327; B65D 75/36;  
B65D 75/366; B65D 75/367; B65D  
75/5833; B65D 77/02; B65D 77/0413;  
B65D 77/2032; B65D 85/00

See application file for complete search history.

(56) **References Cited**

**U.S. PATENT DOCUMENTS**

660,782 A \* 10/1900 Strumpell ..... G09B 23/36  
D11/131  
3,075,639 A 1/1963 Lingley  
3,403,714 A 10/1968 Hulm  
3,937,219 A 2/1976 Karakashian

4,015,709 A 4/1977 Millet  
4,106,621 A 8/1978 Sorenson  
4,184,593 A 1/1980 Dorr  
(Continued)

**FOREIGN PATENT DOCUMENTS**

EP 1293222 B1 3/2003  
GB 2079751 6/1998  
(Continued)

**OTHER PUBLICATIONS**

Colamark. RH1 High Speed Horizontal Tray Inserter. Publication date unavailable. Visited Mar. 30, 2022. [http://www.colamark.com/products/RH1\\_en.html](http://www.colamark.com/products/RH1_en.html) (Year: 0).\*

(Continued)

*Primary Examiner* — Darcey E Gottschalk  
*Assistant Examiner* — Vanessa M. Pursley  
(74) *Attorney, Agent, or Firm* — Bookoff McAndrews, PLLC

(57) **CLAIM**

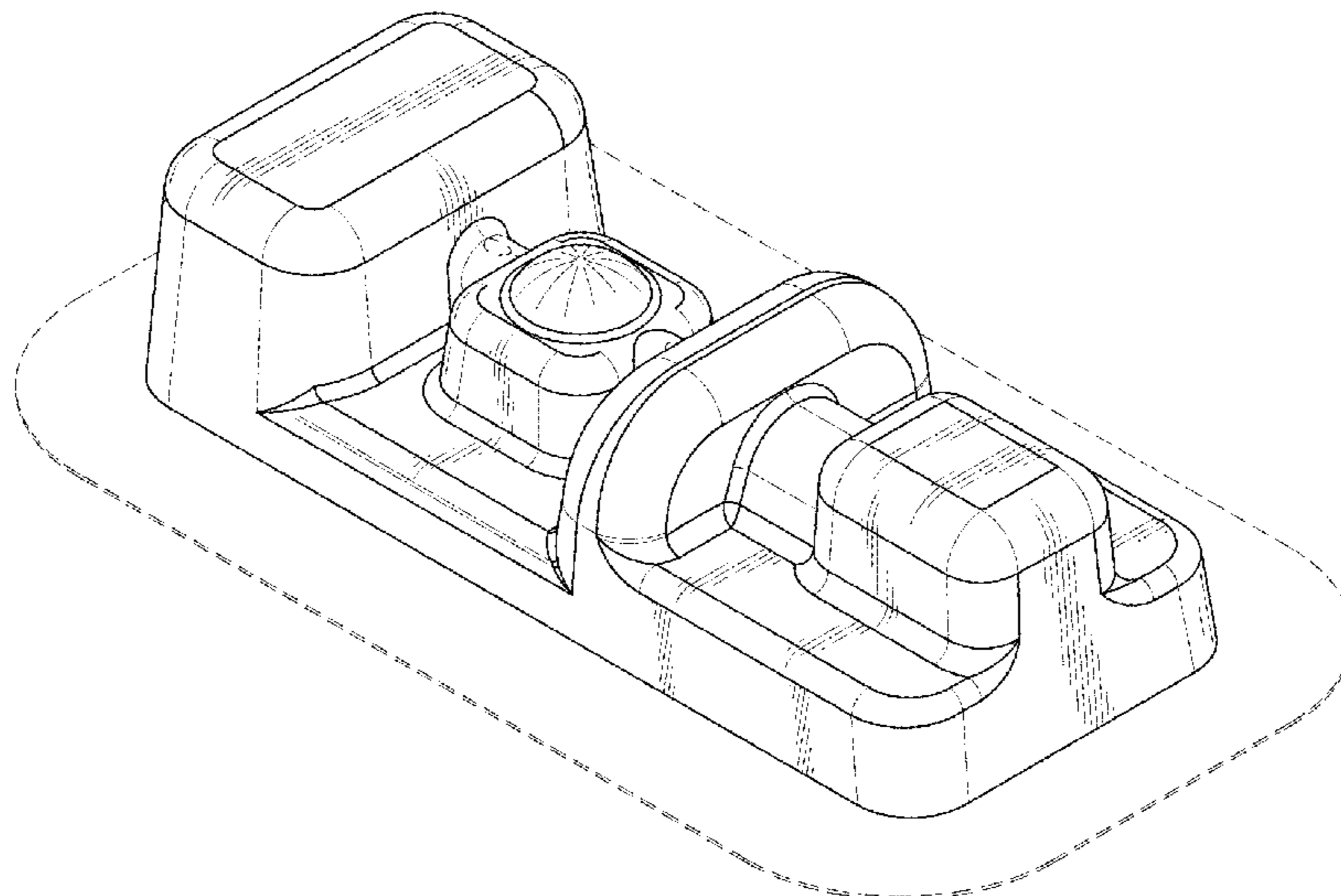
The ornamental design for a packaging, as shown and described.

**DESCRIPTION**

FIG. 1 is a bottom, rear, right perspective view of packaging showing our new design;  
FIG. 2 is a bottom, rear, left perspective view thereof;  
FIG. 3 is a front elevation view thereof;  
FIG. 4 is a rear elevation view thereof;  
FIG. 5 is a left side view thereof;  
FIG. 6 is a right side view thereof;  
FIG. 7 is a top plan view thereof; and,  
FIG. 8 is a bottom view thereof.

The broken lines of even length shown in the drawings illustrate portions of the packaging that form no part of the claimed design.

**1 Claim, 5 Drawing Sheets**



(56)

References Cited

U.S. PATENT DOCUMENTS

D304,157 S \* 10/1989 Holewinski ..... D9/737  
 5,246,109 A \* 9/1993 Markle  
 5,353,929 A 10/1994 Foster  
 5,379,895 A 1/1995 Foslien  
 5,386,908 A 2/1995 Sinn  
 5,390,792 A \* 2/1995 Van Ness ..... A61L 2/26  
 206/439  
 5,407,070 A 4/1995 Bascos  
 D373,527 S \* 9/1996 Phillips ..... D9/415  
 D395,392 S \* 6/1998 Lahm ..... D9/425  
 D430,015 S \* 8/2000 Himbert ..... D24/227  
 D440,874 S \* 4/2001 Shurtleff ..... D9/425  
 6,228,324 B1 \* 5/2001 Hasegawa ..... A61L 2/208  
 604/199  
 6,994,213 B2 2/2006 Giard, Jr. et al.  
 D554,492 S \* 11/2007 Bochmann ..... D9/415  
 D578,873 S 10/2008 Plumer  
 D623,935 S \* 9/2010 Kim ..... D9/415  
 7,954,636 B2 6/2011 Vincent-Aubry  
 D661,188 S 6/2012 Fahy  
 D676,323 S \* 2/2013 Sugden ..... D9/456  
 D700,508 S 3/2014 Trontel  
 8,727,117 B2 5/2014 Maasarani  
 8,734,420 B2 \* 5/2014 Ariagno ..... A61J 1/16  
 206/370  
 D715,636 S \* 10/2014 Cira ..... D9/415  
 D715,639 S \* 10/2014 Sumiyoshi ..... D9/424  
 9,144,465 B2 9/2015 Hunkeler et al.  
 9,248,229 B2 2/2016 Devouassoux et al.  
 D750,502 S 3/2016 Kirchmayr et al.  
 D751,726 S \* 3/2016 Nishioka ..... D24/229  
 D788,936 S \* 6/2017 Schill ..... D24/229  
 D788,937 S \* 6/2017 Schill ..... D24/229  
 D809,911 S 2/2018 Moskovich  
 D841,459 S \* 2/2019 Toledo ..... D9/425  
 D873,131 S 1/2020 Watanabe  
 10,577,165 B2 3/2020 Sadowski  
 10,653,850 B2 \* 5/2020 Ward ..... A61M 5/3202  
 D895,145 S \* 9/2020 Smith ..... D24/229  
 D906,102 S \* 12/2020 Cook ..... D9/737  
 D914,493 S \* 3/2021 Folger ..... D9/425  
 D918,032 S \* 5/2021 Smith ..... D9/425  
 D934,069 S \* 10/2021 Cook ..... D9/737  
 2009/0012496 A1 1/2009 Tennican  
 2010/0181218 A1 7/2010 Beccaro et al.

2013/0178759 A1 7/2013 Karpiloff  
 2014/0215976 A1 8/2014 Maasarani  
 2015/0105734 A1 4/2015 Bryant  
 2015/0114855 A1 \* 4/2015 Glick ..... B65D 77/04  
 206/5  
 2016/0375199 A1 \* 12/2016 Ward ..... A61M 5/3202  
 604/506  
 2017/0008686 A1 \* 1/2017 Tanoguchi ..... B65D 75/326  
 2017/0128662 A1 \* 5/2017 Schill ..... A61M 5/002  
 2017/0143893 A1 5/2017 Hasumi et al.  
 2017/0182240 A1 6/2017 Kerschbaumer et al.  
 2017/0367780 A1 \* 12/2017 Van Der Raad-Meijer .....  
 B65D 75/366  
 2017/0369198 A1 12/2017 Levy  
 2018/0015217 A1 \* 1/2018 Hasumi ..... B65D 75/366  
 2018/0085515 A1 \* 3/2018 Mide ..... B65D 75/366  
 2020/0171244 A1 6/2020 Weikart et al.  
 2021/0030945 A1 \* 2/2021 Cook ..... A61M 5/002

FOREIGN PATENT DOCUMENTS

JP 11334757 12/1999  
 JP 1233133 3/2005  
 JP 1250610 9/2005  
 JP 1256931 11/2005  
 JP 1481860 10/2013  
 JP 1493484 3/2014  
 JP 1661527 6/2020  
 WO 9838109 A1 9/1998  
 WO 2014004348 A1 1/2014  
 WO 2014187779 A1 11/2014  
 WO 2017158801 A1 9/2017

OTHER PUBLICATIONS

Mivision. Eylea Pre-filled Syringe PBS Listed, Indications Expanded. Published Dec. 1, 2020. Visited Mar. 30, 2022. <https://www.mivision.com.au/2020/12/eylea-pre-filled-syringe-pbs-listed-indications-expanded-2/> (Year: 2020).\*

ESS Technologies. Syringe Tray Loading. Publication date unavailable. Visited Mar. 30, 2022. <https://www.esstechnologies.com/AppNotes/AB-Robotic-Tray-Loader-Syringes.shtml> (Year: 0).\*

International Search Report for PCT/US2020/044058 dated Nov. 3, 2020.

\* cited by examiner

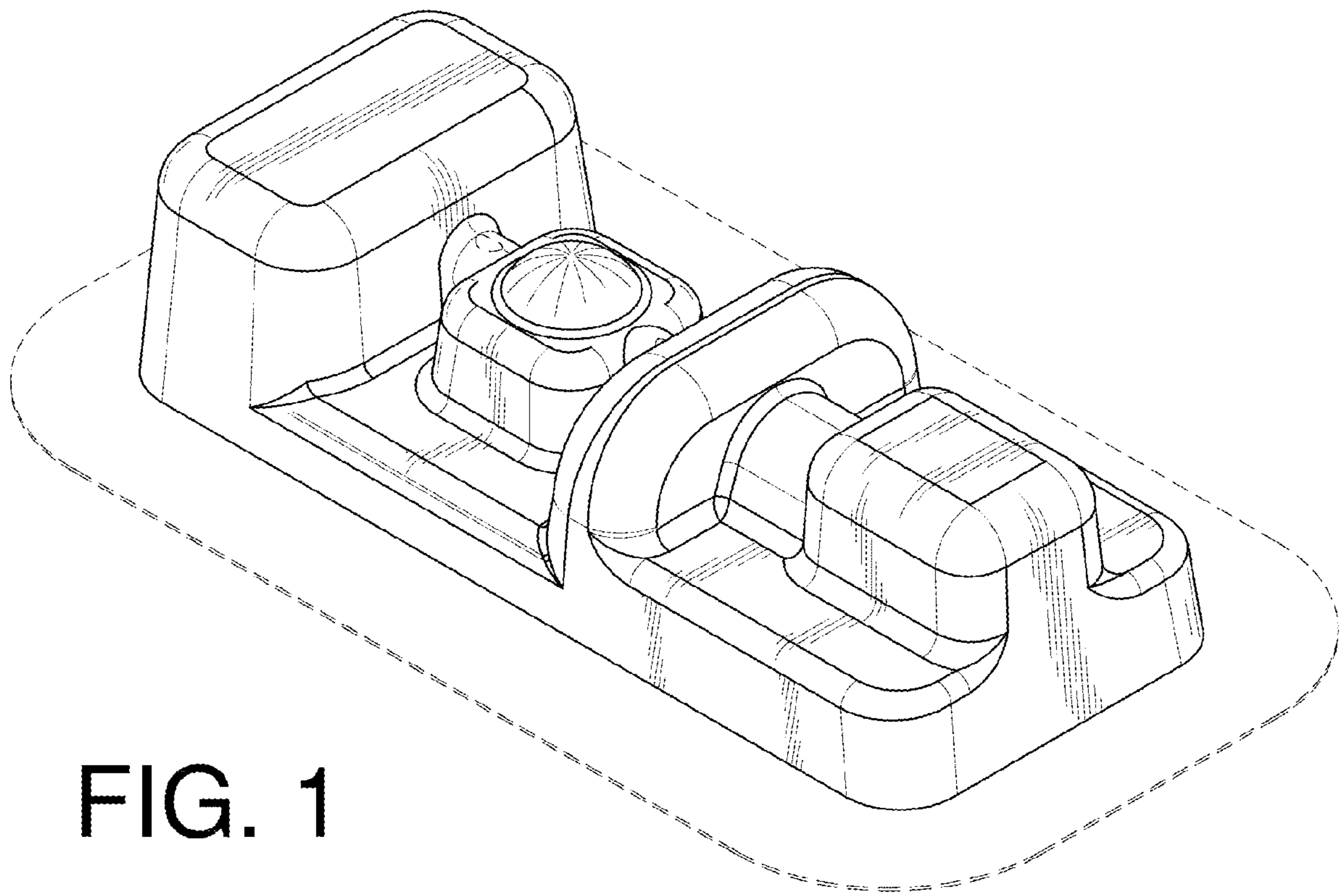


FIG. 1

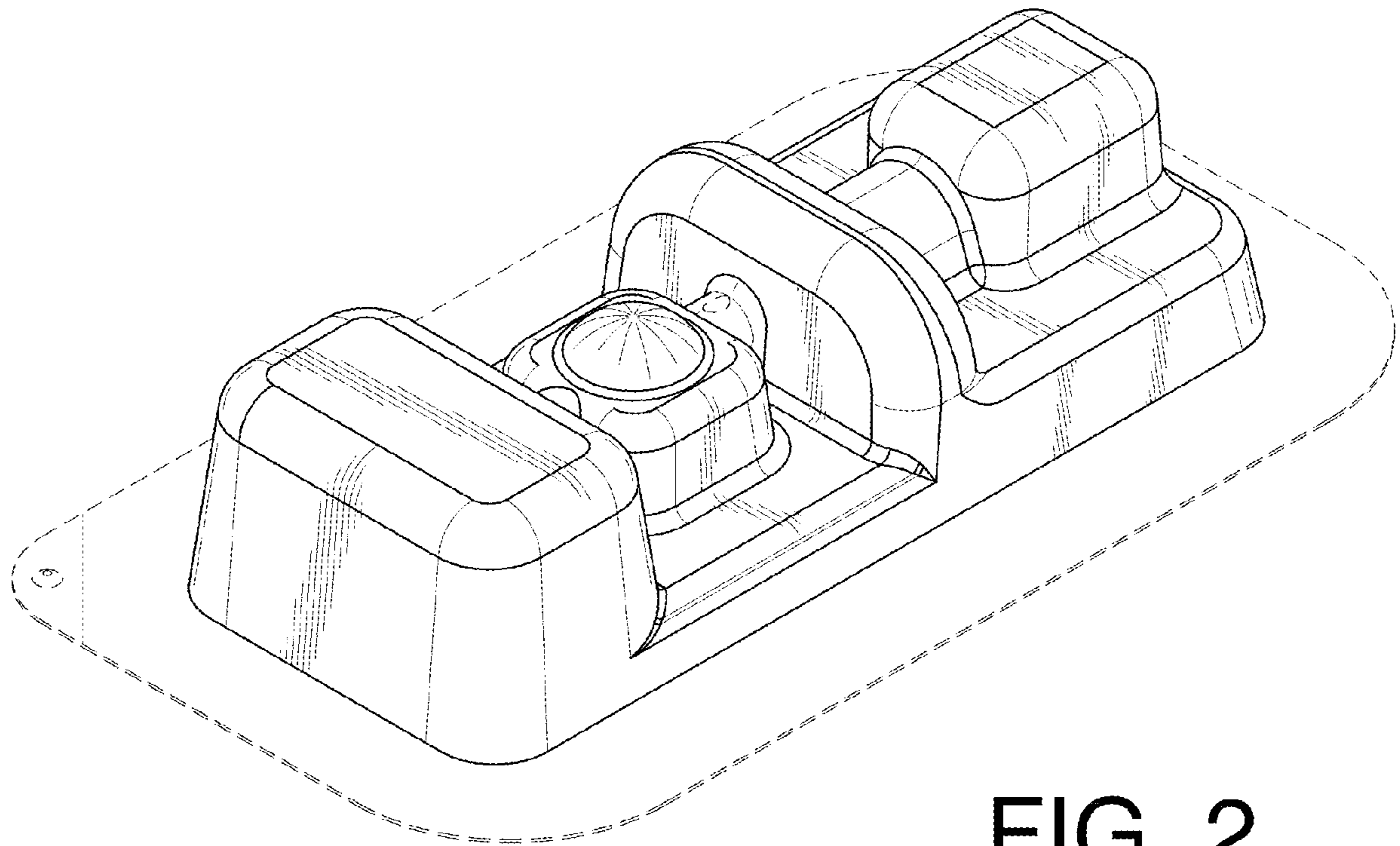


FIG. 2

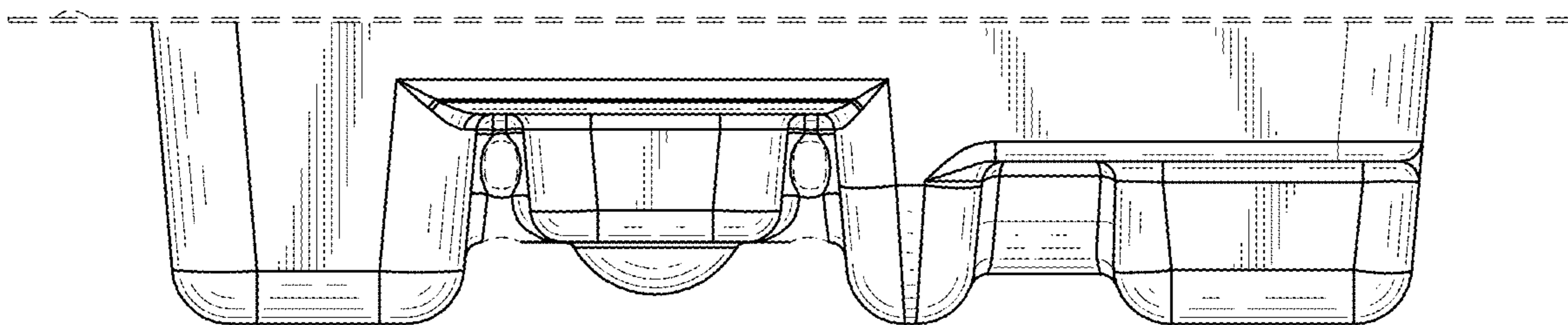


FIG. 3

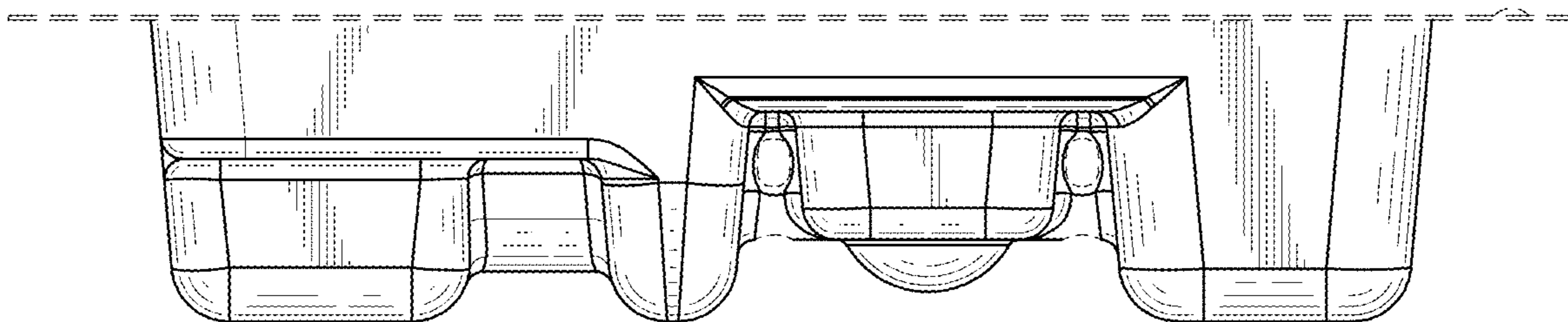


FIG. 4

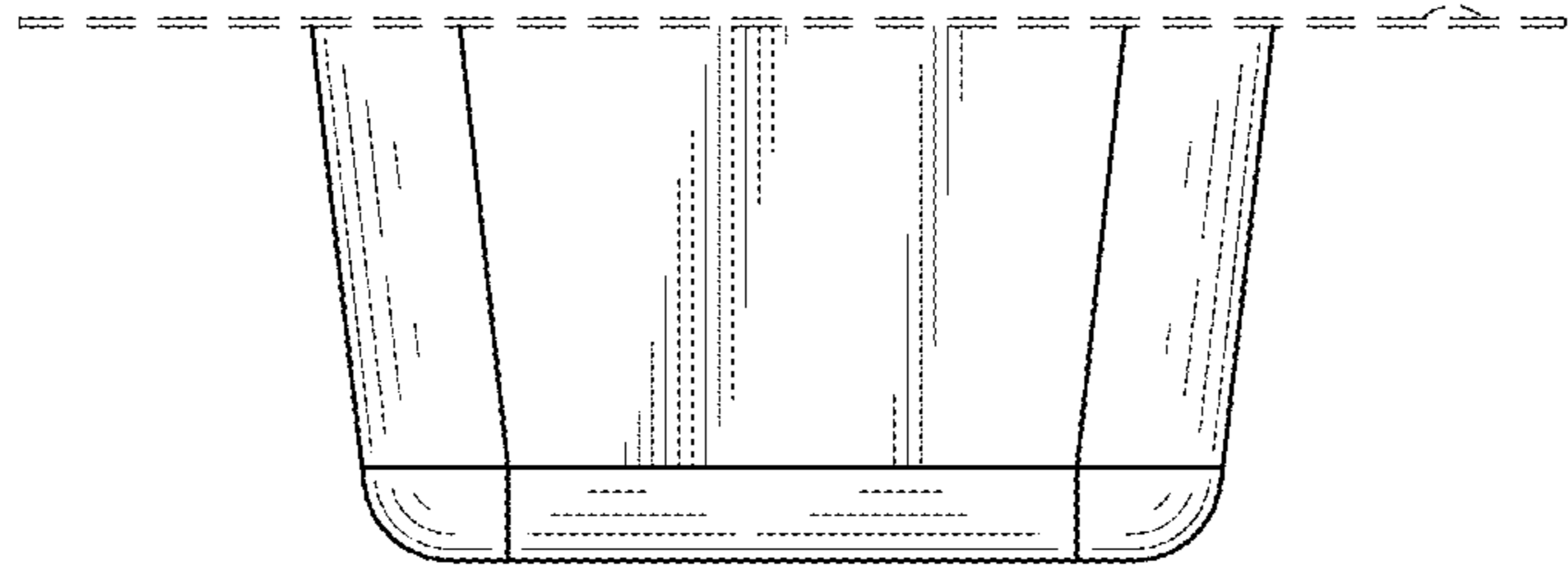


FIG. 5

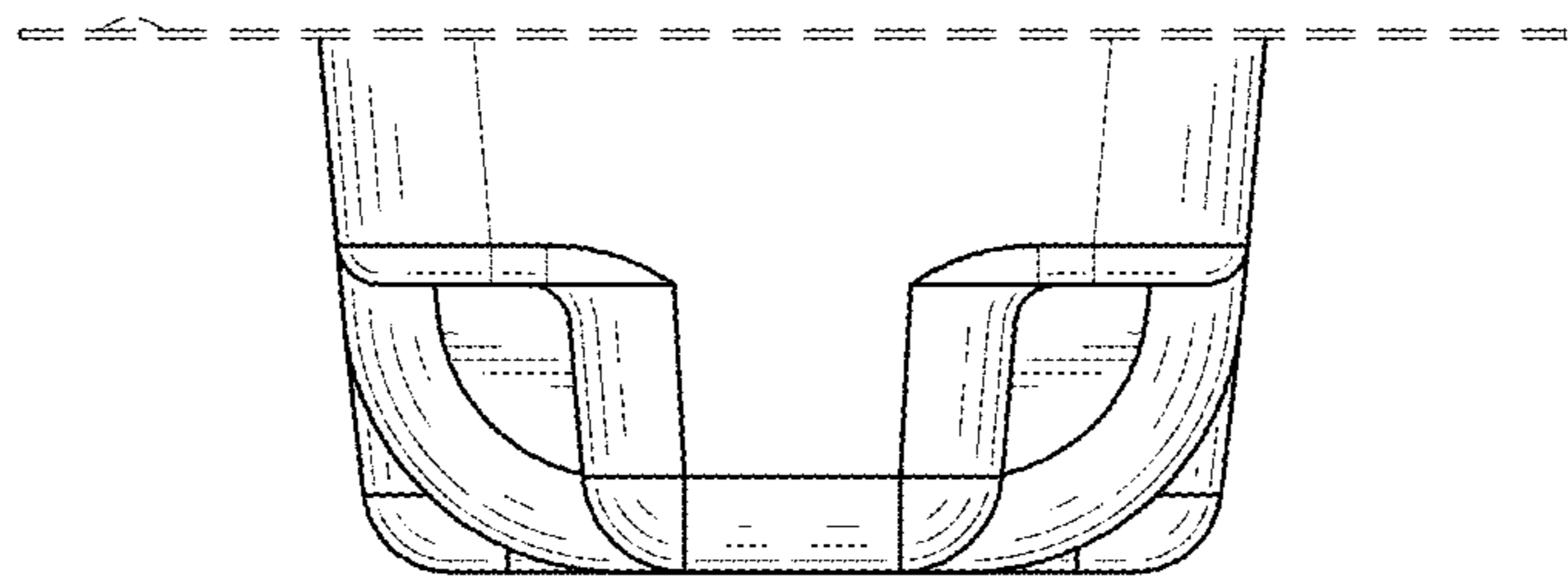


FIG. 6

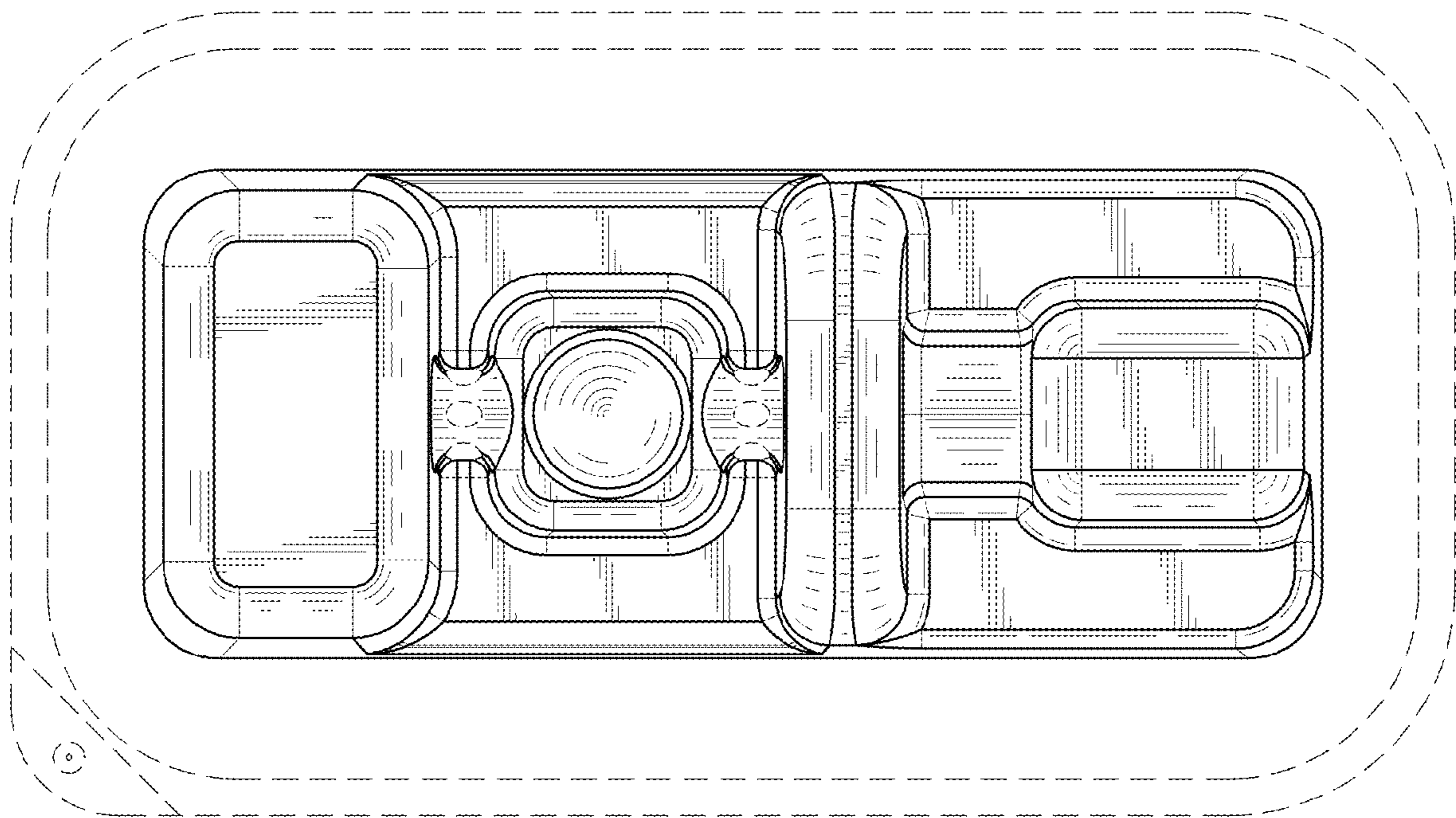


FIG. 7

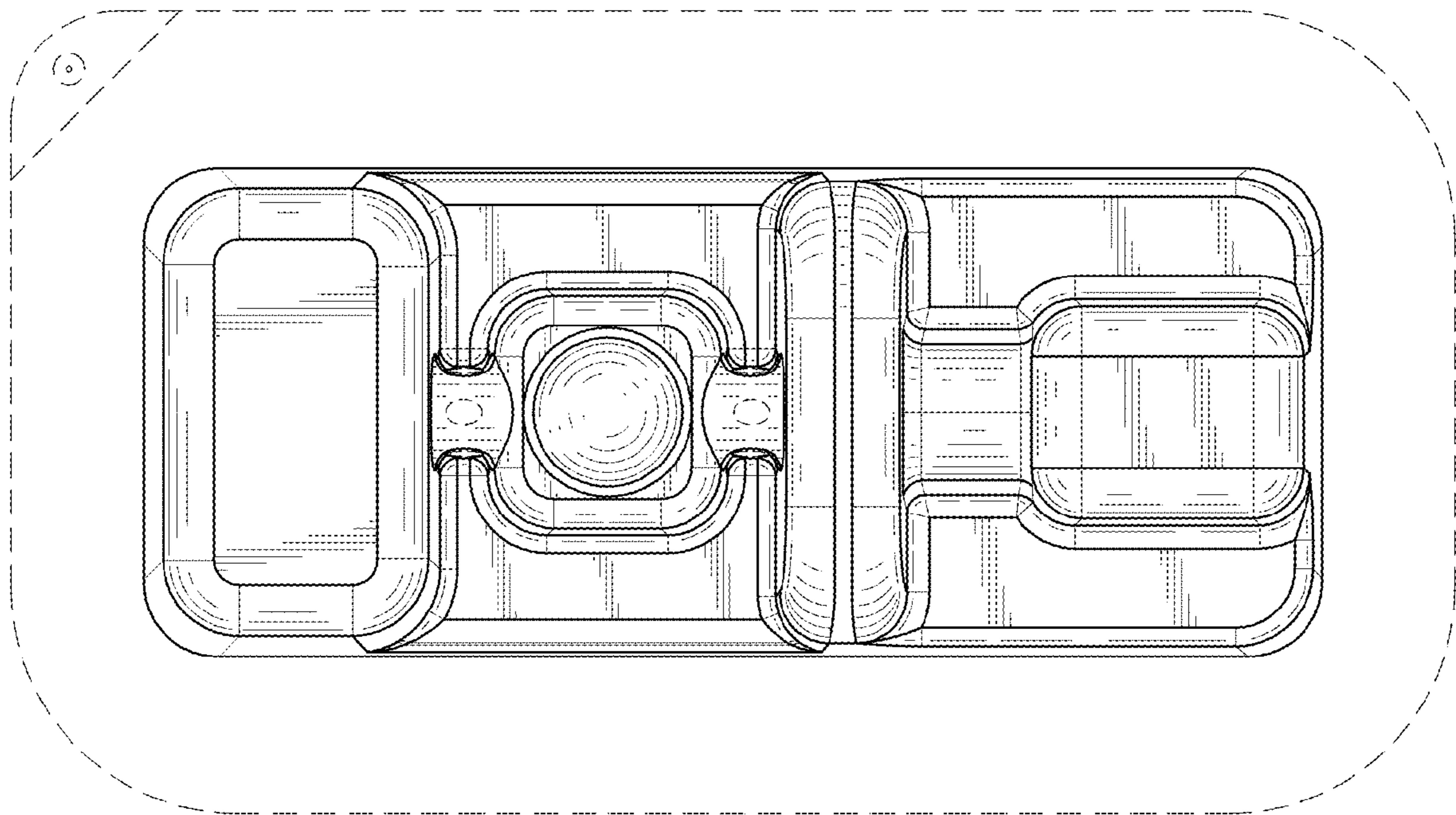


FIG. 8

UNITED STATES PATENT AND TRADEMARK OFFICE  
**CERTIFICATE OF CORRECTION**


PATENT NO. : D961,377 S  
APPLICATION NO. : 29/744476  
DATED : August 23, 2022  
INVENTOR(S) : Andrew Cook and Victor Bradford

Page 1 of 1

It is certified that error appears in the above-identified patent and that said Letters Patent is hereby corrected as shown below:

On the Title Page

In the Applicant item (71), delete "Regeneran" and insert --Regeneron--.

Signed and Sealed this  
Eleventh Day of October, 2022  
  
Katherine Kelly Vidal  
*Director of the United States Patent and Trademark Office*