



US00D961376S

(12) **United States Design Patent** (10) **Patent No.:** **US D961,376 S**
Cook et al. (45) **Date of Patent:** **** Aug. 23, 2022**

(54) **PACKAGING**

(71) Applicant: **Regeneran Pharmaceuticals, Inc.**,
Tarrytown, NY (US)

4,015,709 A 4/1977 Millet
4,106,621 A 8/1978 Sorenson
4,184,593 A 1/1980 Dorr
(Continued)

(72) Inventors: **Andrew Cook**, Nottingham, PA (US);
Victor Bradford, Troy, NY (US)

FOREIGN PATENT DOCUMENTS

(73) Assignee: **Regeneron Pharmaceuticals, Inc.**,
Tarrytown, NY (US)

EP 1293222 B1 3/2003
GB 2079751 6/1998
(Continued)

(**) Term: **15 Years**

OTHER PUBLICATIONS

(21) Appl. No.: **29/744,470**

Colamark. RH1 High Speed Horizontal Tray Inserter. Publication date unavailable. Visited Mar. 30, 2022. http://www.colamark.com/products/RH1_en.html (Year: 0).*

(22) Filed: **Jul. 29, 2020**

(Continued)

(51) **LOC (13) Cl.** **09-03**

(52) **U.S. Cl.**
USPC **D9/424; D9/737**

(58) **Field of Classification Search**
USPC D9/414, 415, 418, 420, 421, 423-426,
D9/428, 430-432, 499, 732, 737, 455,
D9/456; D24/229, 244, 226, 227, 230
CPC B65D 2301/20; B65D 25/22; B65D
2543/00194; B65D 2575/3218; B65D
2575/3245; B65D 2575/366; B65D
2585/88; B65D 5/4204; B65D 5/4208;
B65D 73/0007; B65D 73/0042; B65D
75/22; B65D 75/32; B65D 75/322; B65D
75/326; B65D 75/327; B65D 75/36;
B65D 75/366; B65D 75/367; B65D
75/5833; B65D 77/02; B65D 77/0413;
B65D 77/2032; B65D 85/00

See application file for complete search history.

Primary Examiner — Darcey E Gottschalk
Assistant Examiner — Vanessa M. Pursley
(74) *Attorney, Agent, or Firm* — Bookoff McAndrews
PLLC

(57) **CLAIM**

The ornamental design for a packaging, as shown and described.

DESCRIPTION

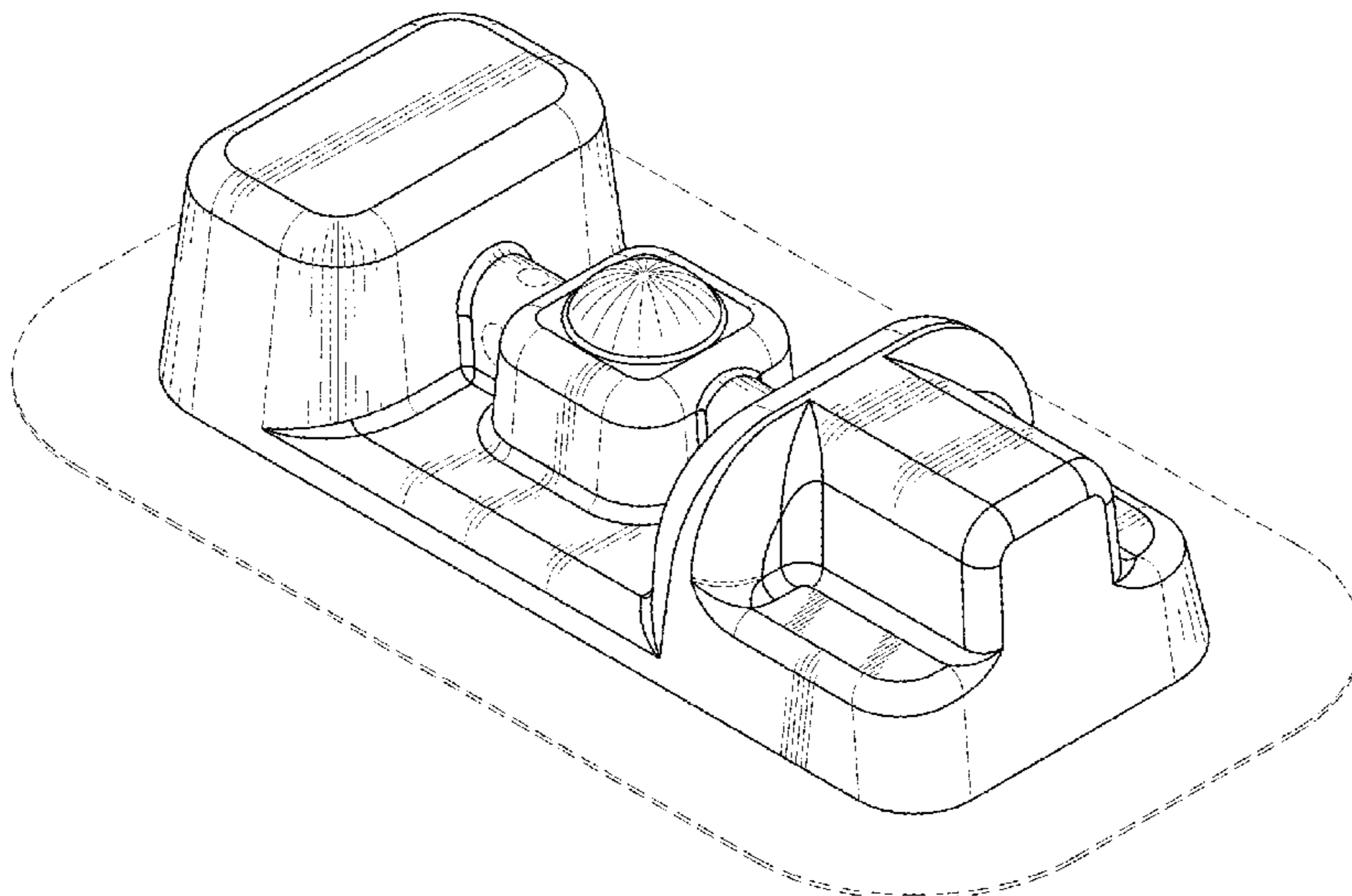
FIG. 1 is a bottom, rear, right perspective view of packaging showing our new design;
FIG. 2 is a bottom, rear, left perspective view thereof;
FIG. 3 is a front elevation view thereof;
FIG. 4 is a rear elevation view thereof;
FIG. 5 is a left side view thereof;
FIG. 6 is a right side view thereof;
FIG. 7 is a top plan view thereof; and,
FIG. 8 is a bottom view thereof.
The broken lines of even length shown in the drawings illustrate portions of the packaging that form no part of the claimed design.

(56) **References Cited**

U.S. PATENT DOCUMENTS

660,782 A * 10/1900 Strumpell G09B 23/36
D11/131
3,075,639 A 1/1963 Lingley
3,403,714 A 10/1968 Hulm
3,937,219 A 2/1976 Karakashian

1 Claim, 5 Drawing Sheets



(56)

References Cited

U.S. PATENT DOCUMENTS

D304,157 S * 10/1989 Holewinski D9/737
 5,246,109 A * 9/1993 Markle
 5,353,929 A 10/1994 Foster
 5,379,895 A 1/1995 Foslien
 5,386,908 A 2/1995 Sinn
 5,390,792 A * 2/1995 Van Ness A61L 2/26
 206/439
 5,407,070 A 4/1995 Bascos
 D373,527 S * 9/1996 Phillips D9/415
 D395,392 S * 6/1998 Lahm D9/425
 D430,015 S * 8/2000 Himbert D24/227
 D440,874 S * 4/2001 Shurtleff D9/425
 6,228,324 B1 * 5/2001 Hasegawa A61L 2/208
 604/199
 6,994,213 B2 2/2006 Giard, Jr. et al.
 D554,492 S * 11/2007 Bochmann D9/415
 D578,873 S 10/2008 Plumer
 D623,935 S * 9/2010 Kim D9/415
 7,954,636 B2 6/2011 Mncent-Aubry
 D661,188 S 6/2012 Fahy
 D676,323 S * 2/2013 Sugden D9/456
 D700,508 S 3/2014 Trontel
 8,727,117 B2 5/2014 Maasarani
 8,734,420 B2 * 5/2014 Ariagno A61J 1/16
 206/370
 D715,636 S * 10/2014 Cira D9/415
 D715,639 S * 10/2014 Sumiyoshi D9/424
 9,144,465 B2 9/2015 Hunkeler et al.
 9,248,229 B2 2/2016 Devouassoux et al.
 D750,502 S 3/2016 Kirchmayr et al.
 D751,726 S * 3/2016 Nishioka D24/229
 D788,936 S * 6/2017 Schill D24/229
 D788,937 S * 6/2017 Schill D24/229
 D809,911 S 2/2018 Moskovich
 D841,459 S * 2/2019 Toledo D9/425
 D873,131 S 1/2020 Watanabe
 10,577,165 B2 3/2020 Sadowski
 10,653,850 B2 * 5/2020 Ward A61M 5/3202
 D895,145 S * 9/2020 Smith D24/229
 D906,102 S * 12/2020 Cook D9/737
 D914,493 S * 3/2021 Folger D9/425
 D918,032 S * 5/2021 Smith D9/425
 D934,069 S * 10/2021 Cook D9/737
 2009/0012496 A1 1/2009 Tennican
 2010/0181218 A1 7/2010 Beccaro et al.

2013/0178759 A1 7/2013 Karpiloff
 2014/0215976 A1 8/2014 Maasarani
 2015/0105734 A1 4/2015 Bryant
 2015/0114855 A1 * 4/2015 Glick B65D 77/04
 206/5
 2016/0375199 A1 * 12/2016 Ward A61M 5/3202
 604/506
 2017/0008686 A1 * 1/2017 Tanoguchi B65D 75/326
 2017/0128662 A1 * 5/2017 Schill A61M 5/002
 2017/0143893 A1 5/2017 Hasumi et al.
 2017/0182240 A1 6/2017 Kerschbaumer et al.
 2017/0367780 A1 * 12/2017 Van Der Raad-Meijer
 B65D 75/366
 2017/0369198 A1 12/2017 Levy
 2018/0015217 A1 * 1/2018 Hasumi B65D 75/366
 2018/0085515 A1 * 3/2018 Mide B65D 75/366
 2020/0171244 A1 6/2020 Weikart et al.
 2021/0030945 A1 * 2/2021 Cook A61M 5/002

FOREIGN PATENT DOCUMENTS

JP 11334757 12/1999
 JP 1233133 3/2005
 JP 1250610 9/2005
 JP 1256931 11/2005
 JP 1481860 10/2013
 JP 1493484 3/2014
 JP 1661527 6/2020
 WO 9838109 A1 9/1998
 WO 2014004348 A1 1/2014
 WO 2014187779 A1 11/2014
 WO 2017158801 A1 9/2017

OTHER PUBLICATIONS

Mivision. Eylea Pre-filled Syringe PBS Listed, Indications Expanded. Published Dec. 1, 2020. Visited Mar. 30, 2022. <https://www.mivision.com.au/2020/12/eylea-pre-filled-syringe-pbs-listed-indications-expanded-2/> (Year: 2020).*

ESS Technologies. Syringe Tray Loading. Publication date unavailable. Visited Mar. 30, 2022. <https://www.esstechnologies.com/AppNotes/AB-Robotic-Tray-Loader-Syringes.shtml> (Year: 0).*

International Search Report for PCT/US2020/044058 dated Nov. 3, 2020.

* cited by examiner

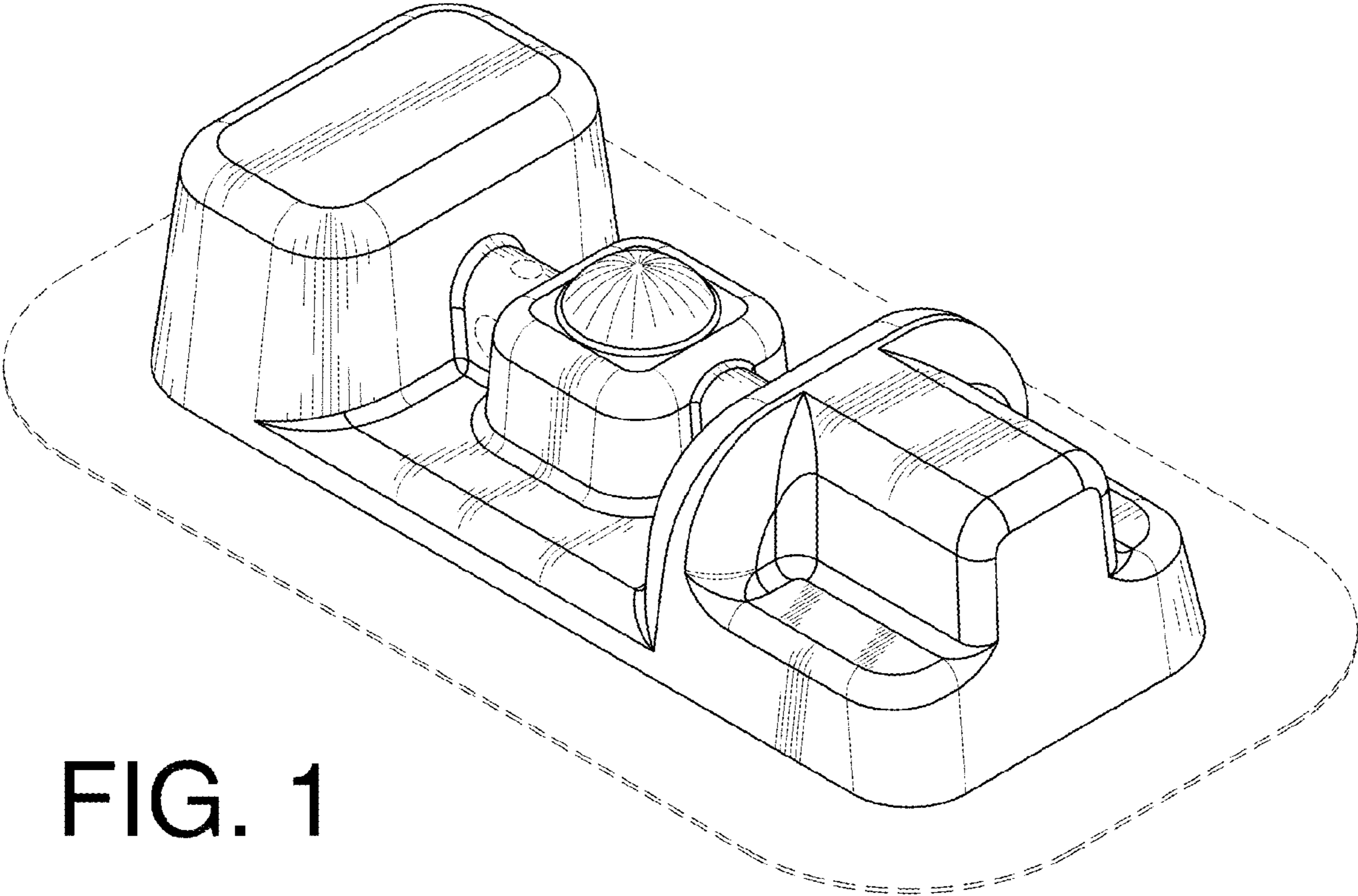


FIG. 1

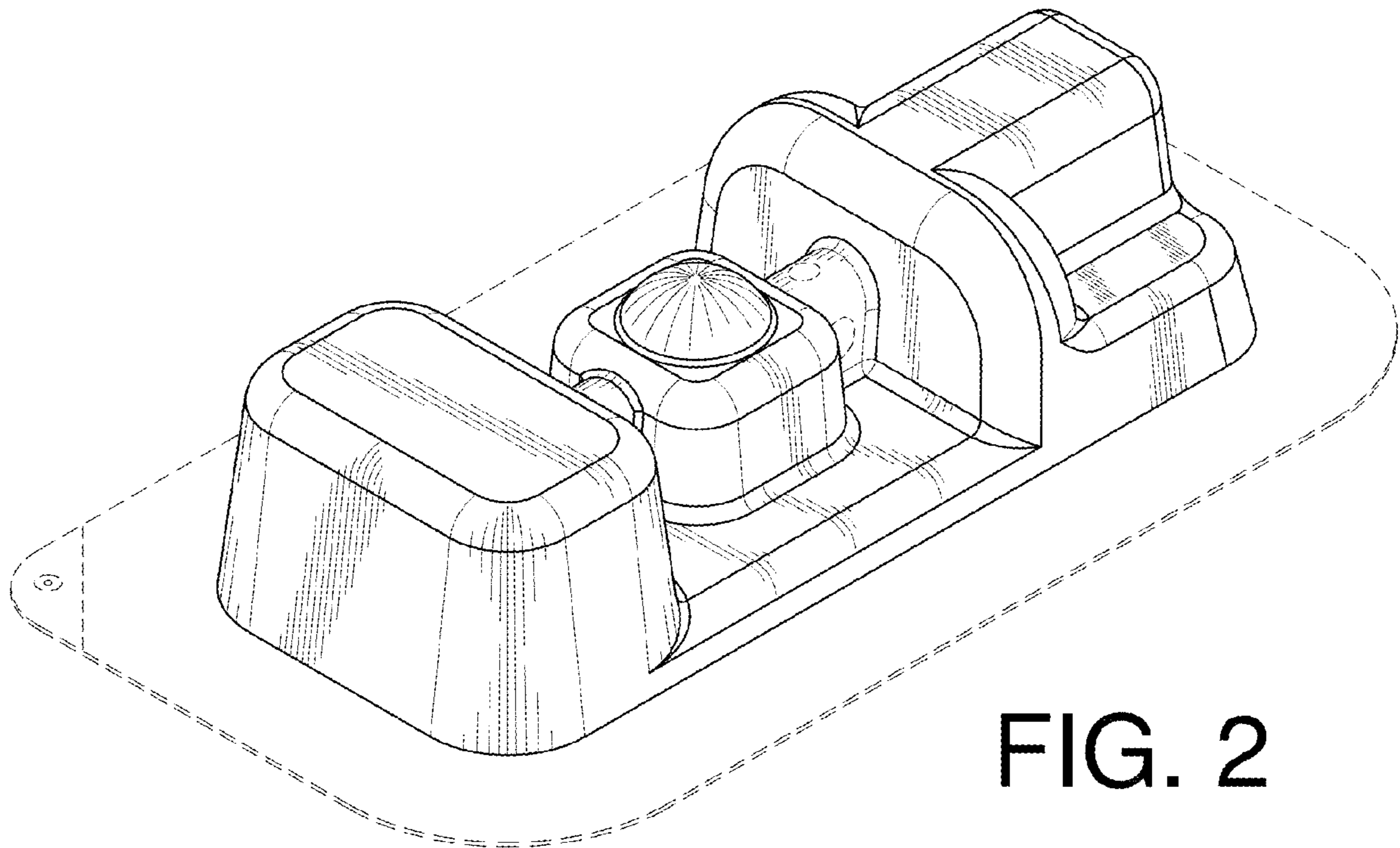


FIG. 2

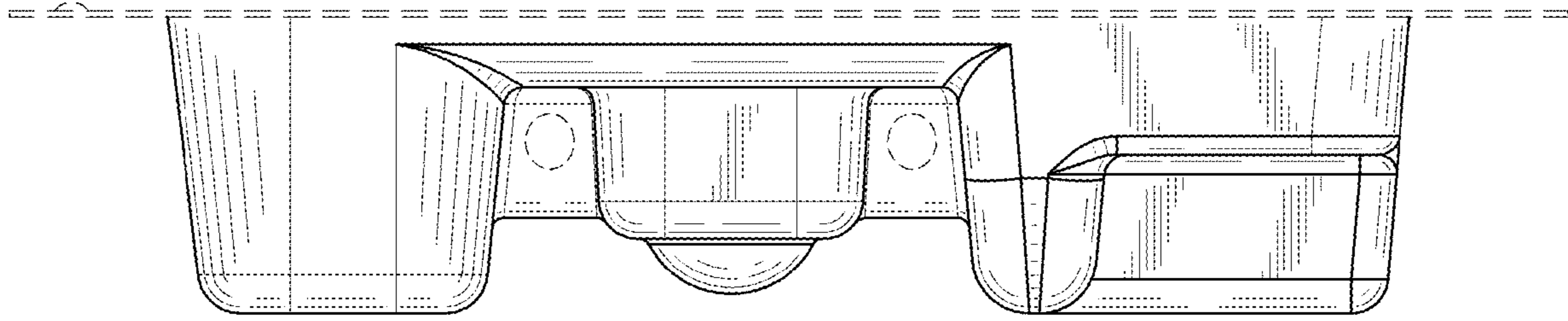


FIG. 3

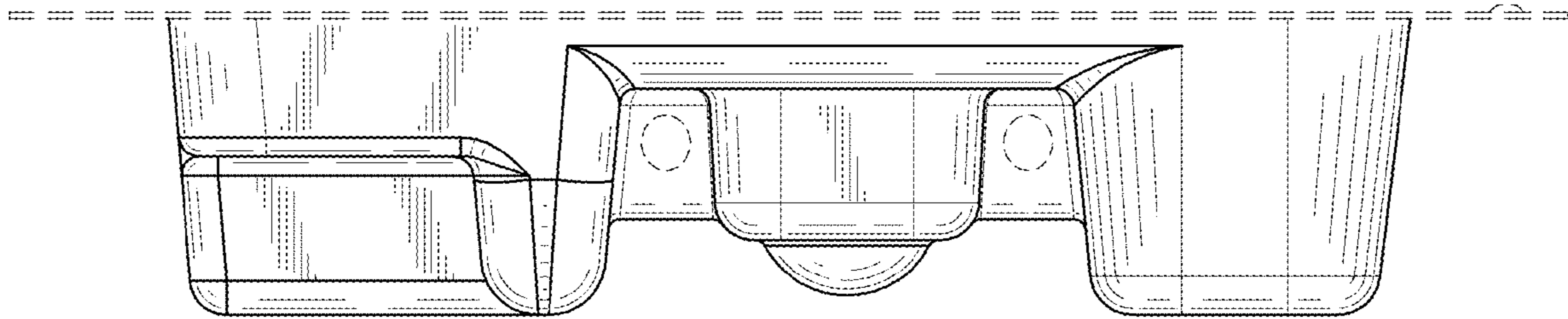


FIG. 4

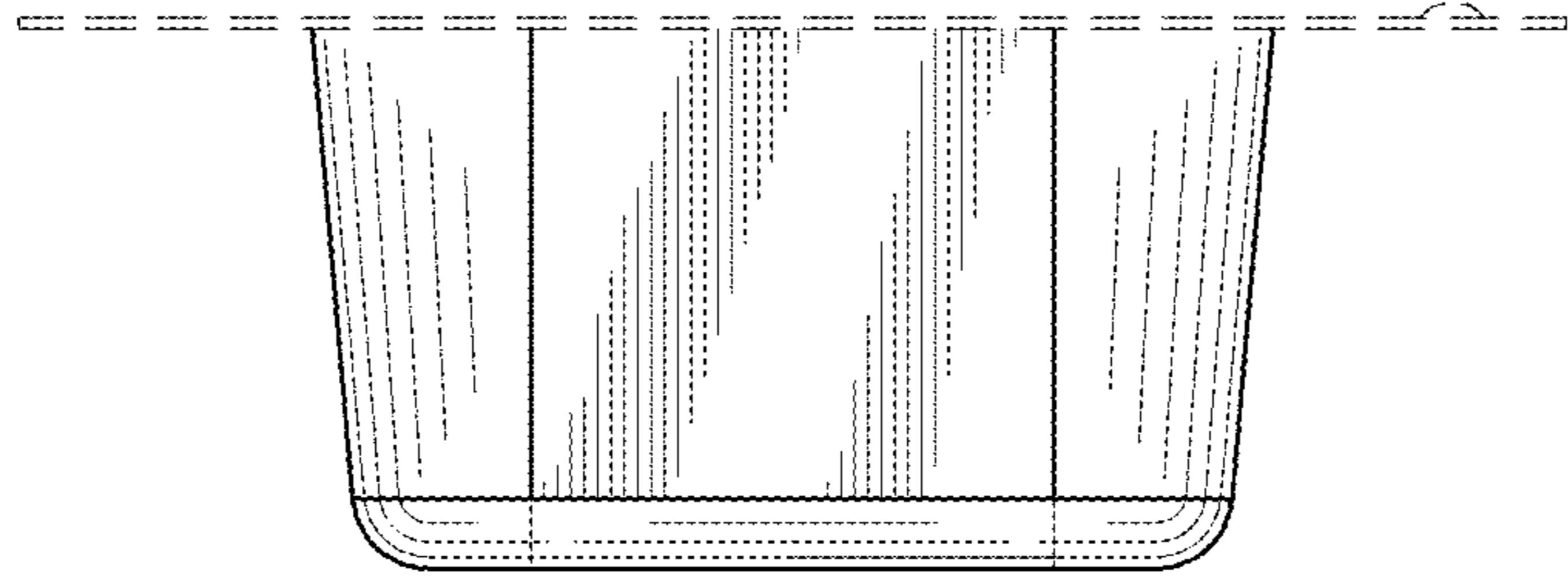


FIG. 5

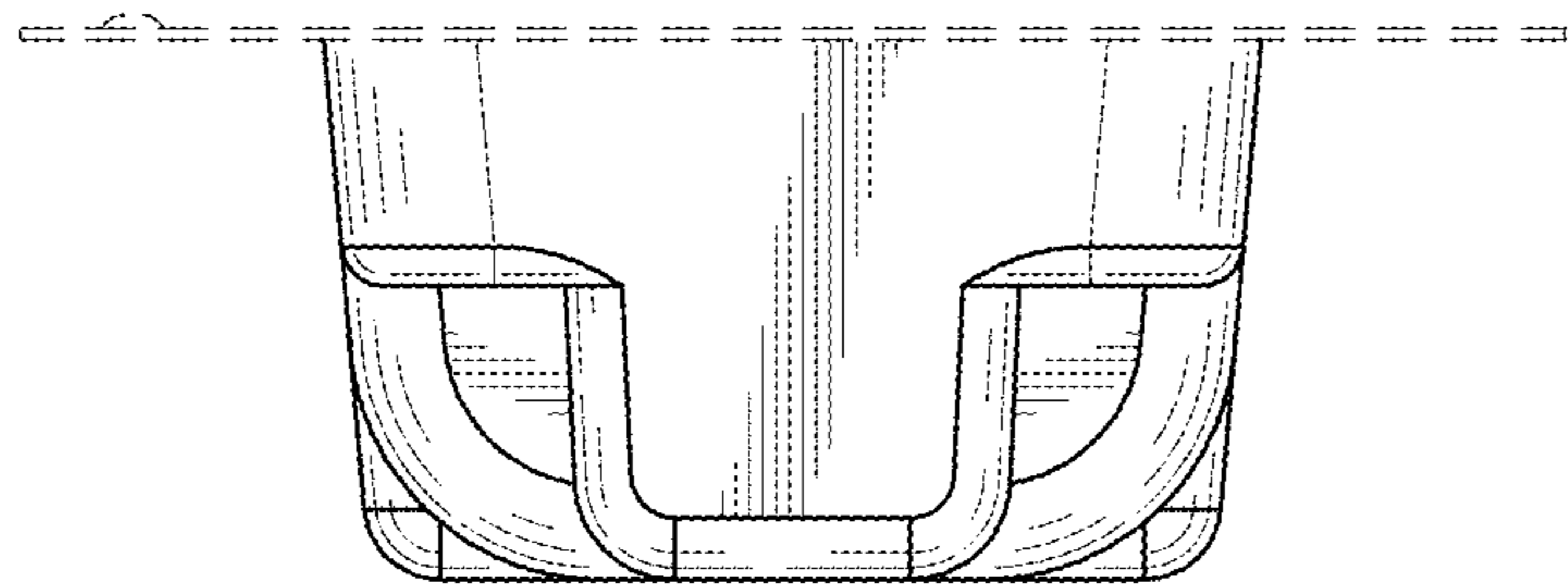


FIG. 6

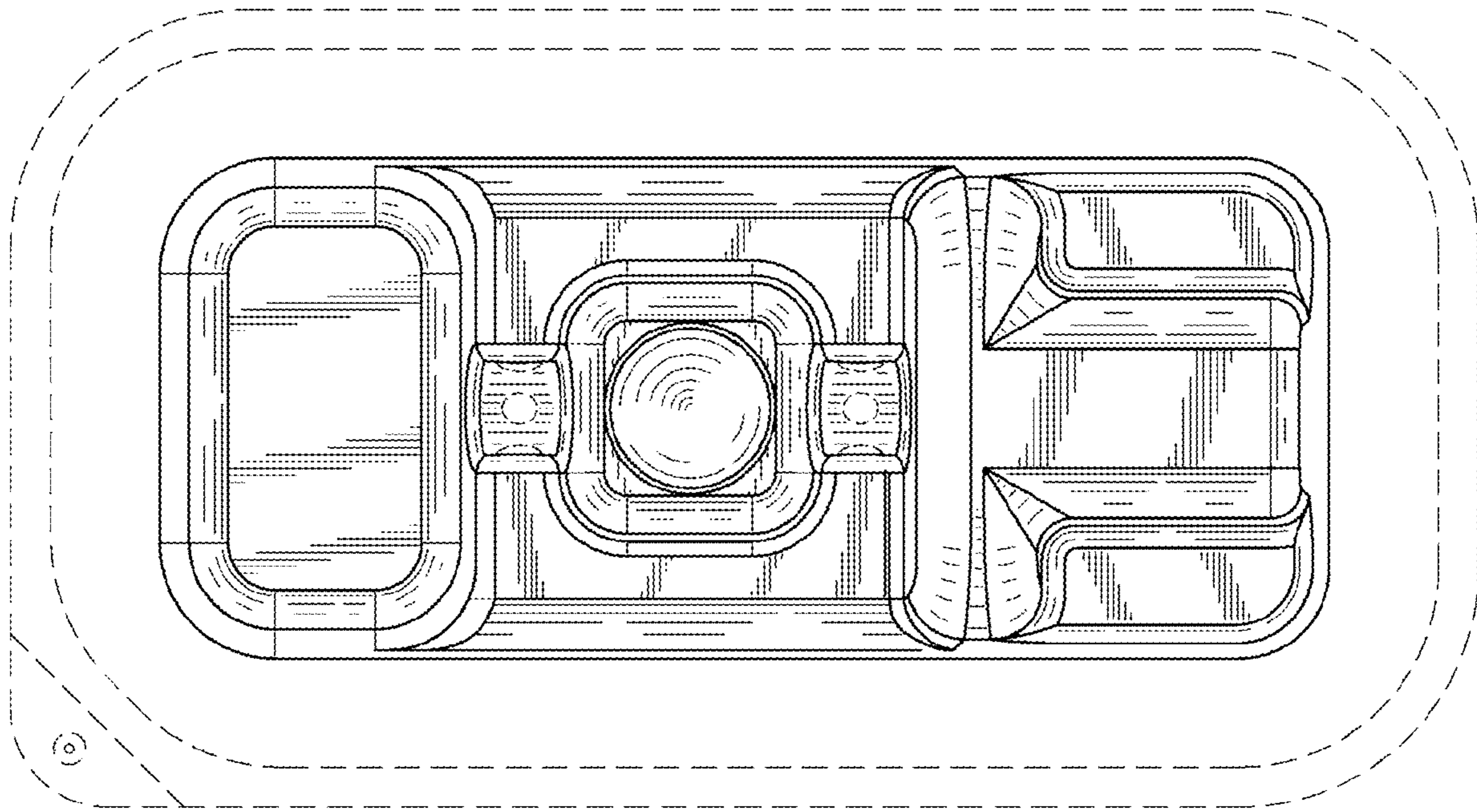


FIG. 7

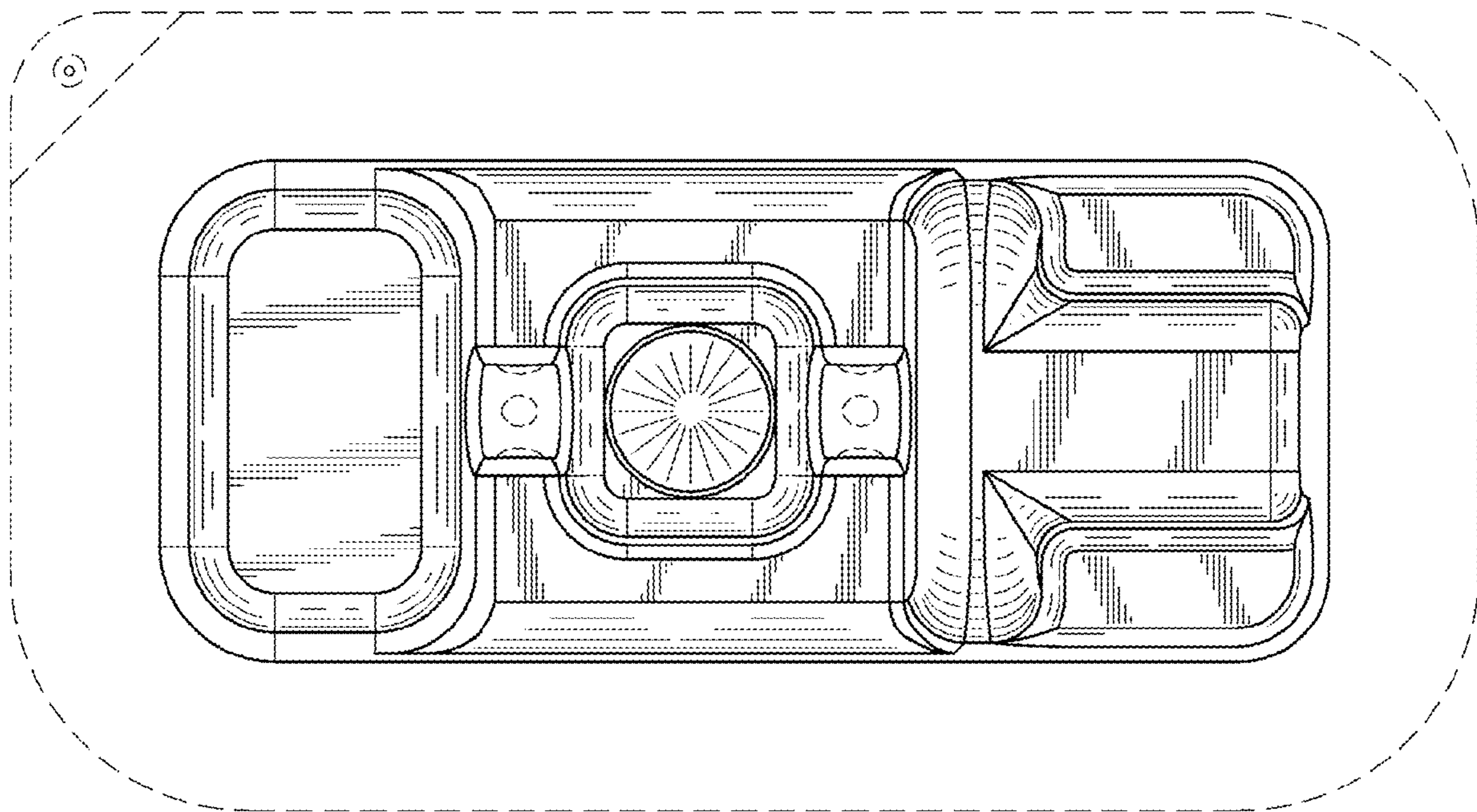


FIG. 8

UNITED STATES PATENT AND TRADEMARK OFFICE
CERTIFICATE OF CORRECTION

PATENT NO. : D961,376 S
APPLICATION NO. : 29/744470
DATED : August 23, 2022
INVENTOR(S) : Andrew Cook and Victor Bradford


Page 1 of 1

It is certified that error appears in the above-identified patent and that said Letters Patent is hereby corrected as shown below:

On the Title Page

In the Applicant item (71), delete "Regeneran" and insert --Regeneron--.

In the Attorney, Agent or Firm item (74), delete "McAndrews" and insert --McAndrews,--.

Signed and Sealed this
Fourth Day of October, 2022

Katherine Kelly Vidal
Director of the United States Patent and Trademark Office