



US00D961375S

(12) **United States Design Patent** (10) **Patent No.:** **US D961,375 S**
Chen (45) **Date of Patent:** **** Aug. 23, 2022**

(54) **COMBINED FOLDING GIFT BOX WITH LID**

D923,242 S * 6/2021 Garcia D27/189
D932,886 S * 10/2021 Song D9/420
D946,767 S * 3/2022 Kemper D24/189

(71) Applicant: **Liqing Chen**, Shantou (CN)

(72) Inventor: **Liqing Chen**, Shantou (CN)

(**) Term: **15 Years**

(21) Appl. No.: **29/785,030**

(22) Filed: **May 24, 2021**

(51) **LOC (13) Cl.** **09-03**

(52) **U.S. Cl.**

USPC **D9/420**

(58) **Field of Classification Search**

USPC D9/420, 432, 423, 431, 430, 434, 435,
D9/414-418, 456; D27/189; D19/86

CPC B65D 5/5206

See application file for complete search history.

(56) **References Cited**

U.S. PATENT DOCUMENTS

1,494,361 A * 5/1924 Lambert B65D 5/5206
206/45.29
D184,589 S * 3/1959 Vuilleminot D9/420
5,899,324 A * 5/1999 Stone B65D 5/5206
206/45.21
D707,549 S * 6/2014 McAdam D9/420
D811,005 S * 2/2018 Fath D27/189
D823,107 S * 7/2018 Sanfilippo D9/432
D828,156 S * 9/2018 Perella D9/432
D850,908 S * 6/2019 Perella D9/432
D854,409 S * 7/2019 Parker D9/420
D858,274 S * 9/2019 Perella D9/432
D865,512 S * 11/2019 Johnston D9/423
D866,319 S * 11/2019 Greenfeld D9/432
D871,203 S * 12/2019 Koeppel D9/414
D878,914 S * 3/2020 Zeiler D9/434
D897,836 S * 10/2020 Kenworthy D9/423
D902,030 S * 11/2020 Lemoine D9/432
D905,550 S * 12/2020 Noda D9/432
D908,498 S * 1/2021 Natsume D9/456
D908,794 S * 1/2021 Houle D19/86
D911,835 S * 3/2021 Cheng D9/420

OTHER PUBLICATIONS

“Rosegid 10 Gift . . .” reference found by RMS on Jul. 4, 2022 on the internet at: https://www.amazon.com/ROSEGLD-9-5x6-5x4-Bridesmaid-Proposal-Embossing/dp/B089F213VR/ref=cm_cr_arpd_product_top?ie=UTF8&th=1.*

“Kraft Gift . . .” reference found by RMS on Jul. 4, 2022 on the internet at: https://www.etsy.com/listing/553689672/kraft-gift-boxes-6-x-6-x-4-inch-set-of?click_key=5efd901be9bb9772755204886636745e47c0334%3A553689672&click_sum=b779cd79&ref=related-6&sts=1.*

“Kraft Boxes . . .” reference found by RMS on Jul. 4, 2022 on the internet at: <https://www.theboxdepot.com/kraft-gift-box.html>.*

“One-Piece . . .” reference found by RMS on Jul. 4, 2022 on the internet at: <https://www.deluxe.com/products/retail-packaging/one-piece-gift-boxes-8-x-8-x-3-1-2/43124/>.*

* cited by examiner

Primary Examiner — Rhea Shields

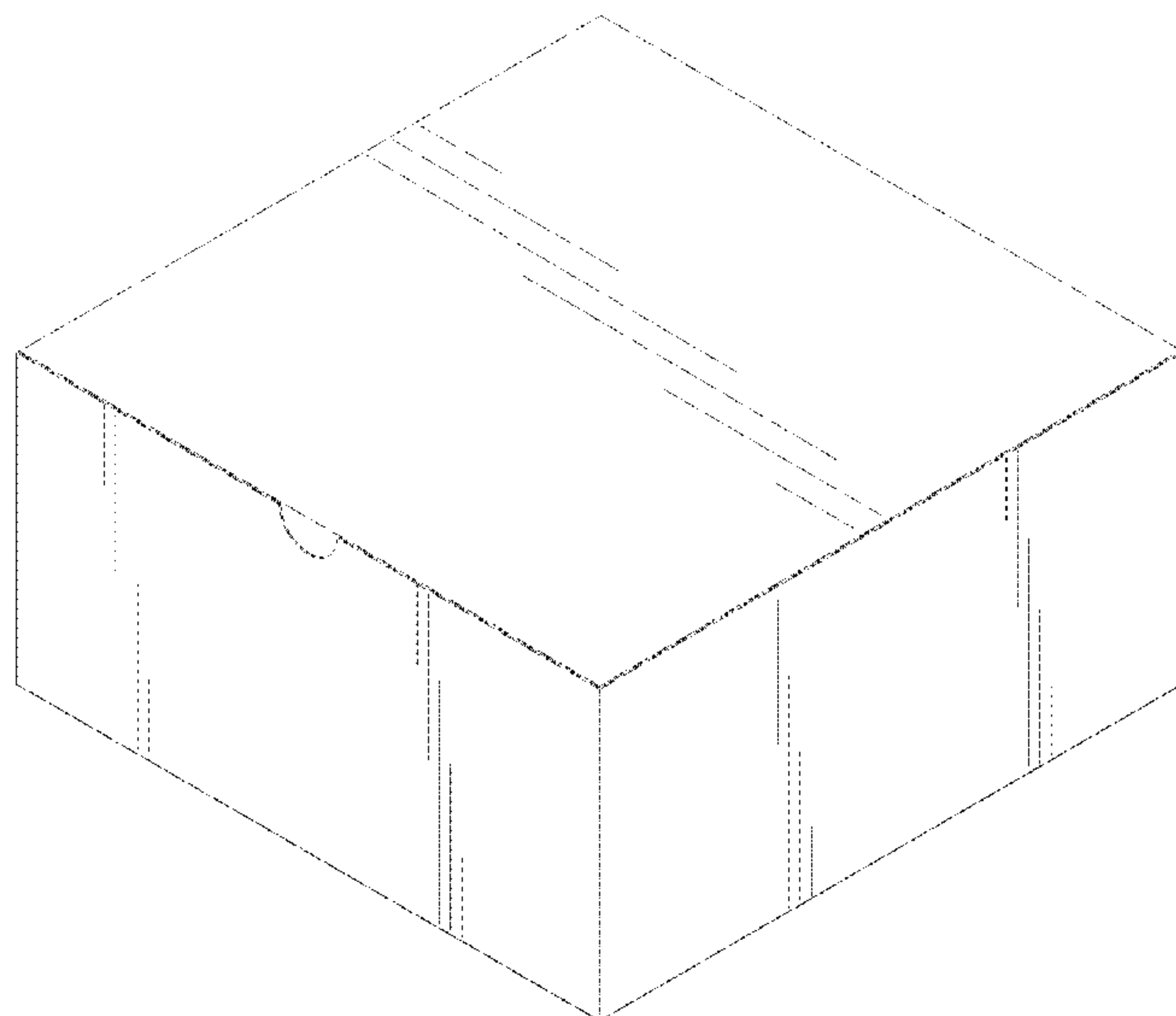
(57) **CLAIM**

The ornamental design for a folding gift box with lid, as shown and described.

DESCRIPTION

FIG. 1 is a front, top perspective view of a folding gift box with lid, showing my new design;
FIG. 2 is a rear, bottom perspective view thereof;
FIG. 3 is a front elevation view thereof;
FIG. 4 is a rear elevation view thereof;
FIG. 5 is a left side elevation view thereof;
FIG. 6 is a right side elevation view thereof;
FIG. 7 is a top plan view thereof;
FIG. 8 is a bottom plan view thereof;
FIG. 9 is a front top perspective view thereof, spewing the lid opened; and,
FIG. 10 is a bottom perspective view thereof.

1 Claim, 7 Drawing Sheets



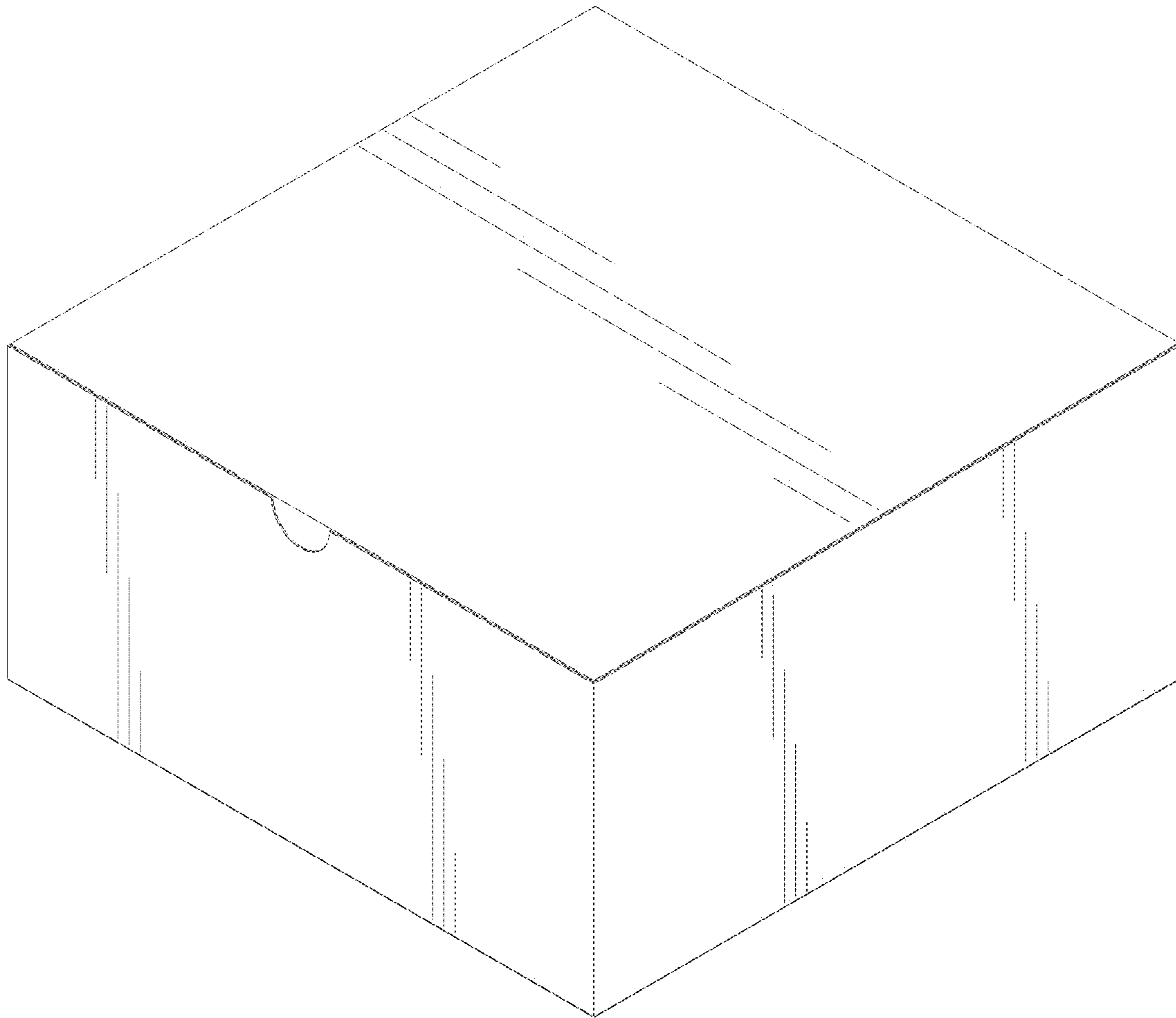


FIG. 1

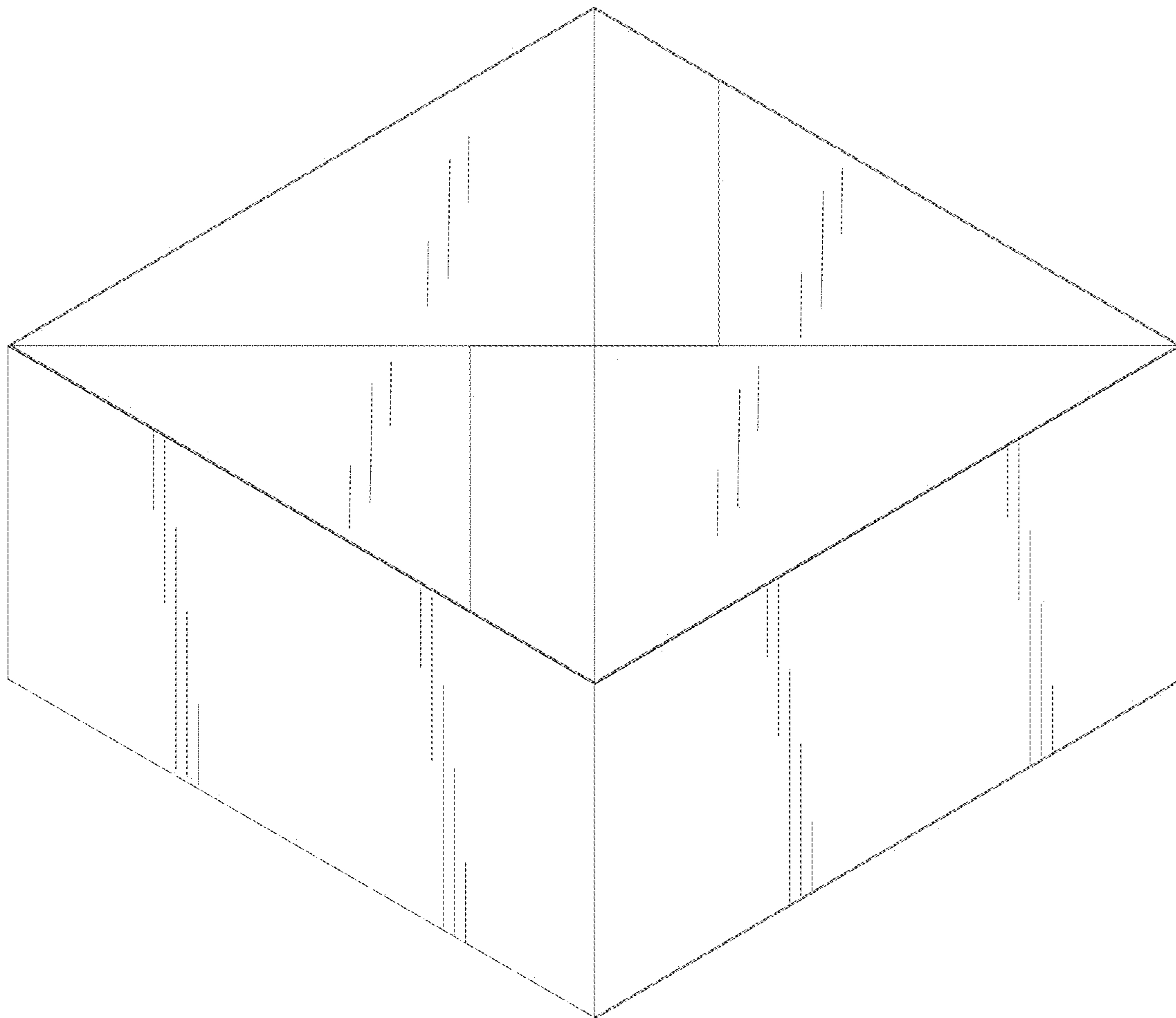


FIG. 2

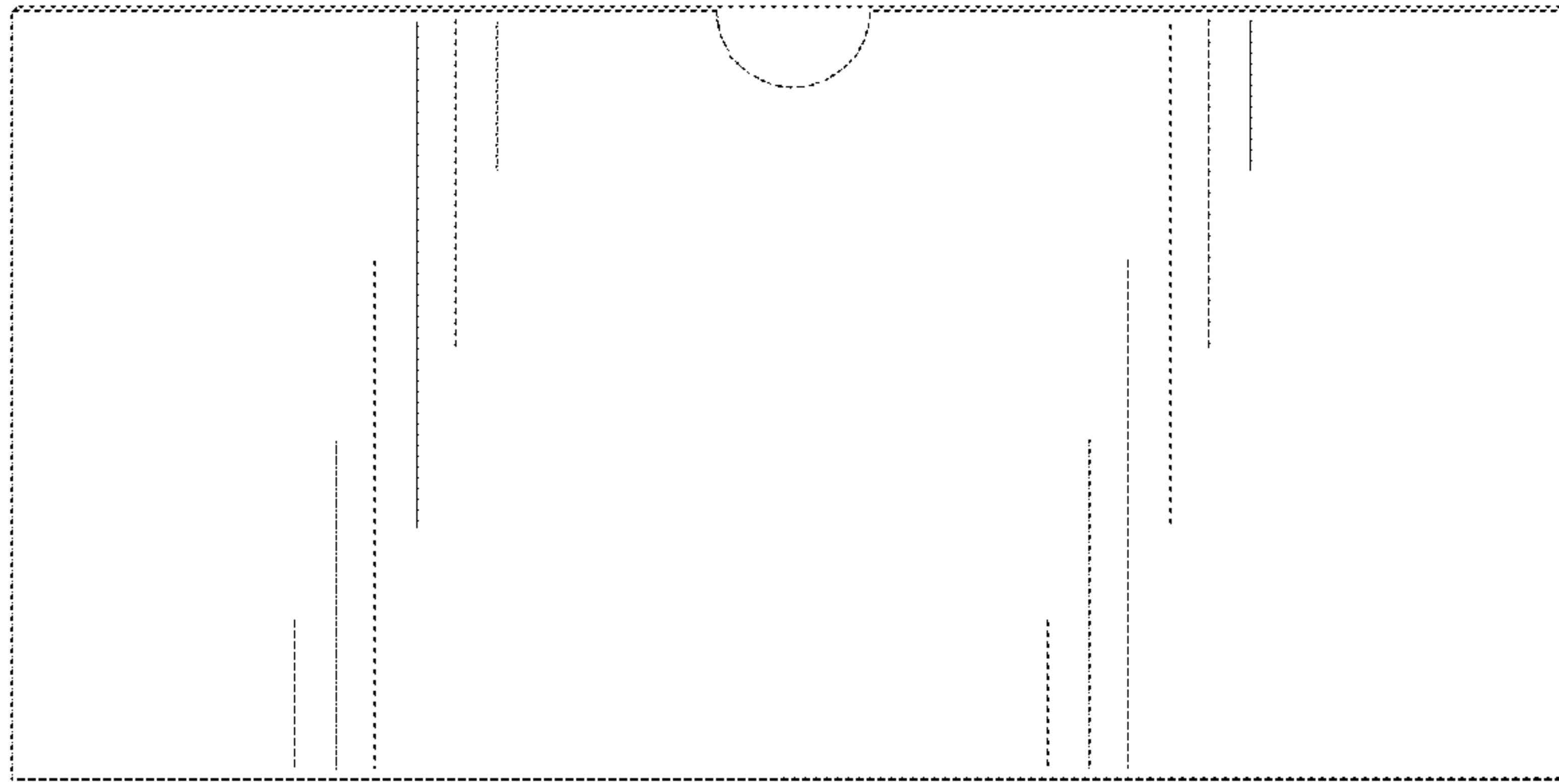


FIG. 3

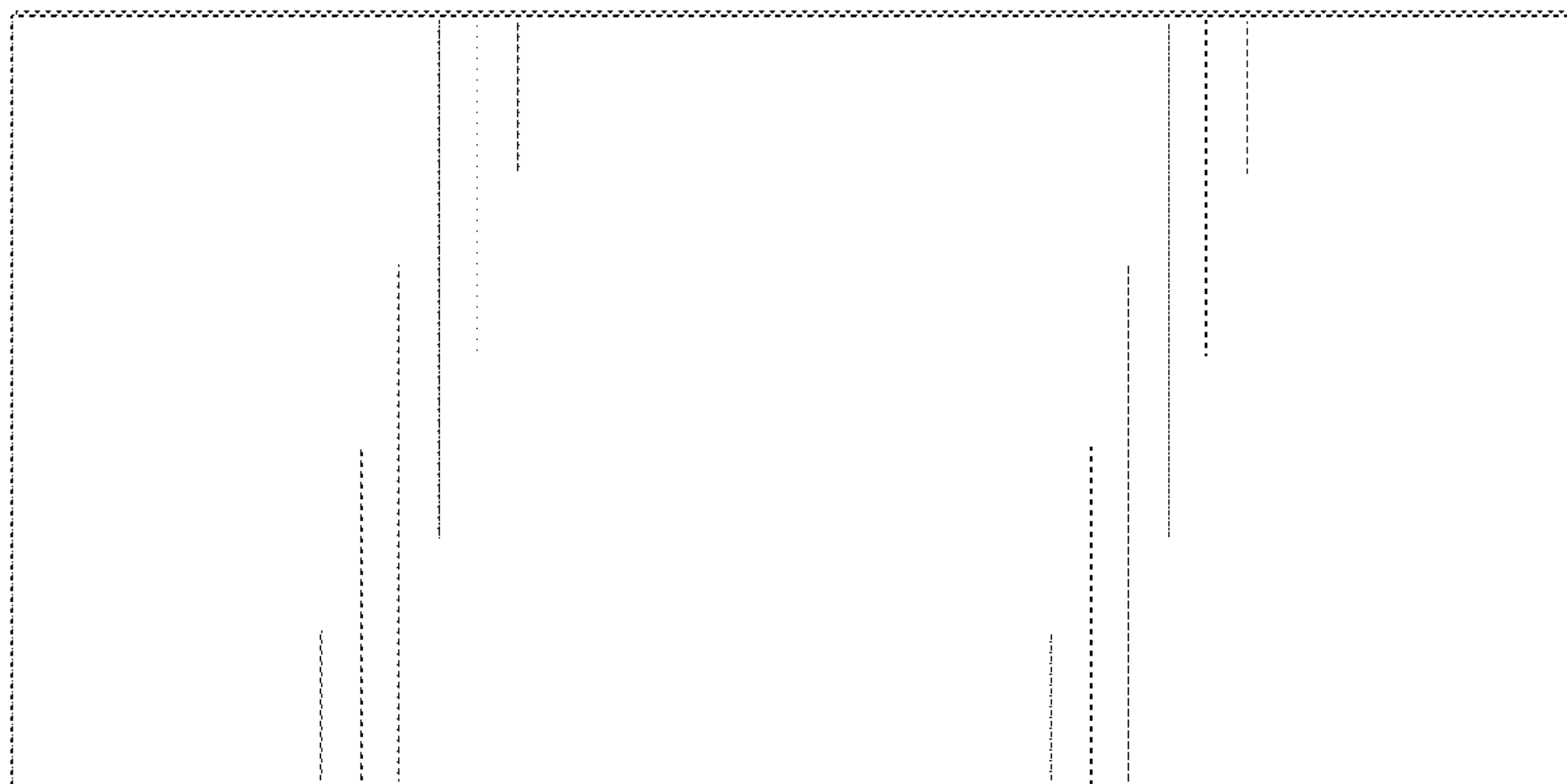


FIG. 4

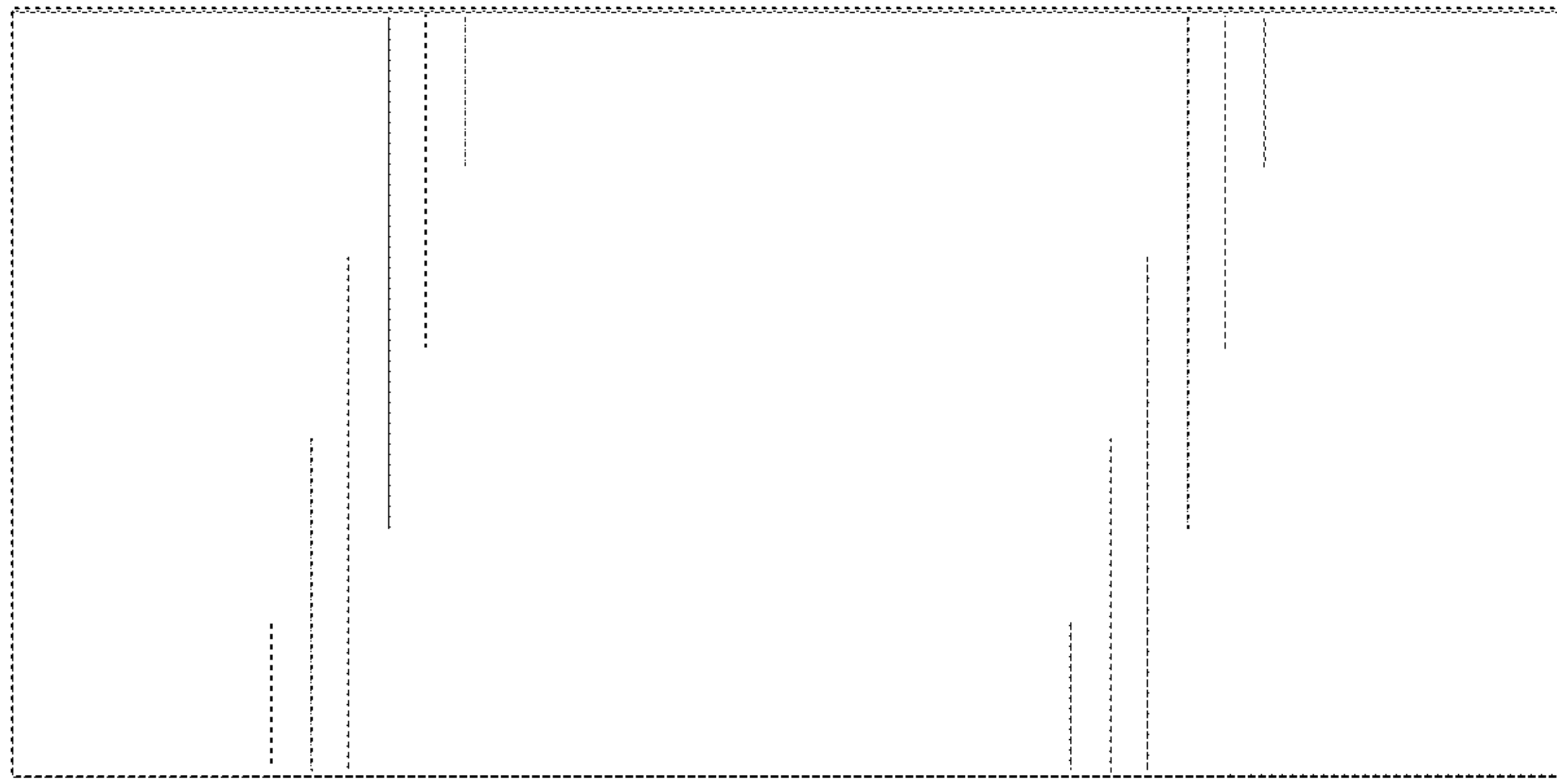


FIG. 5

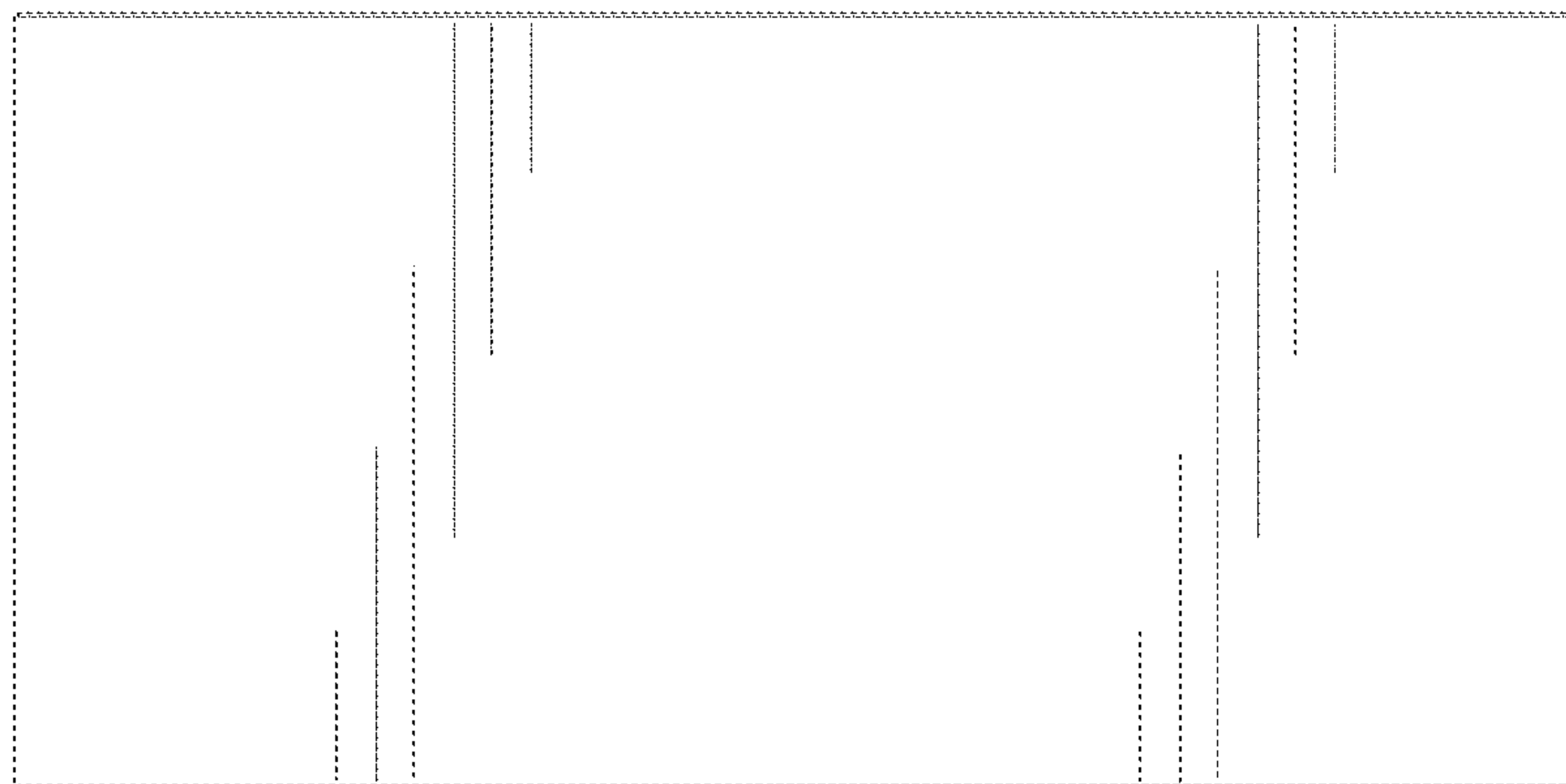


FIG. 6

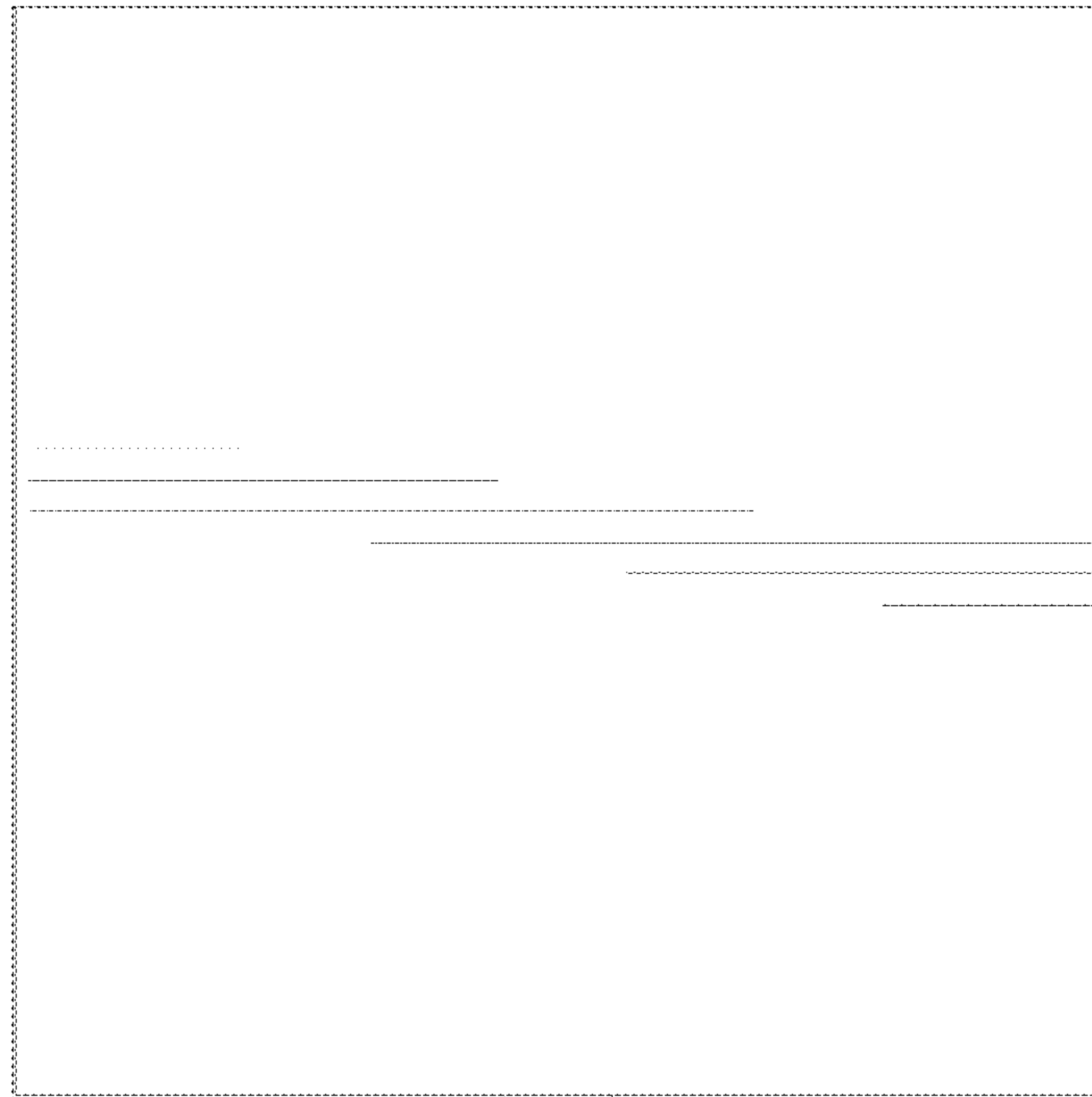


FIG. 7

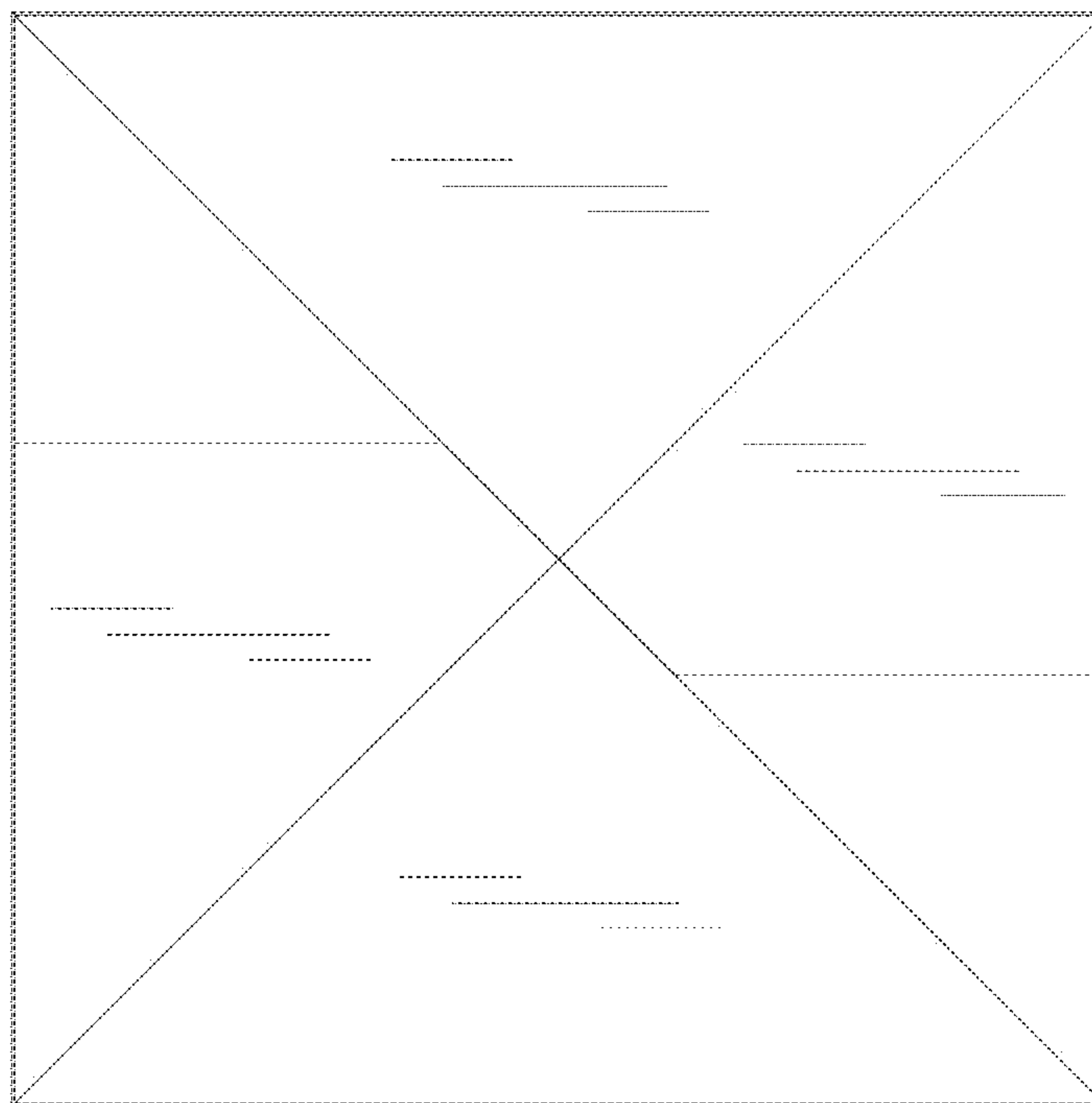


FIG. 8

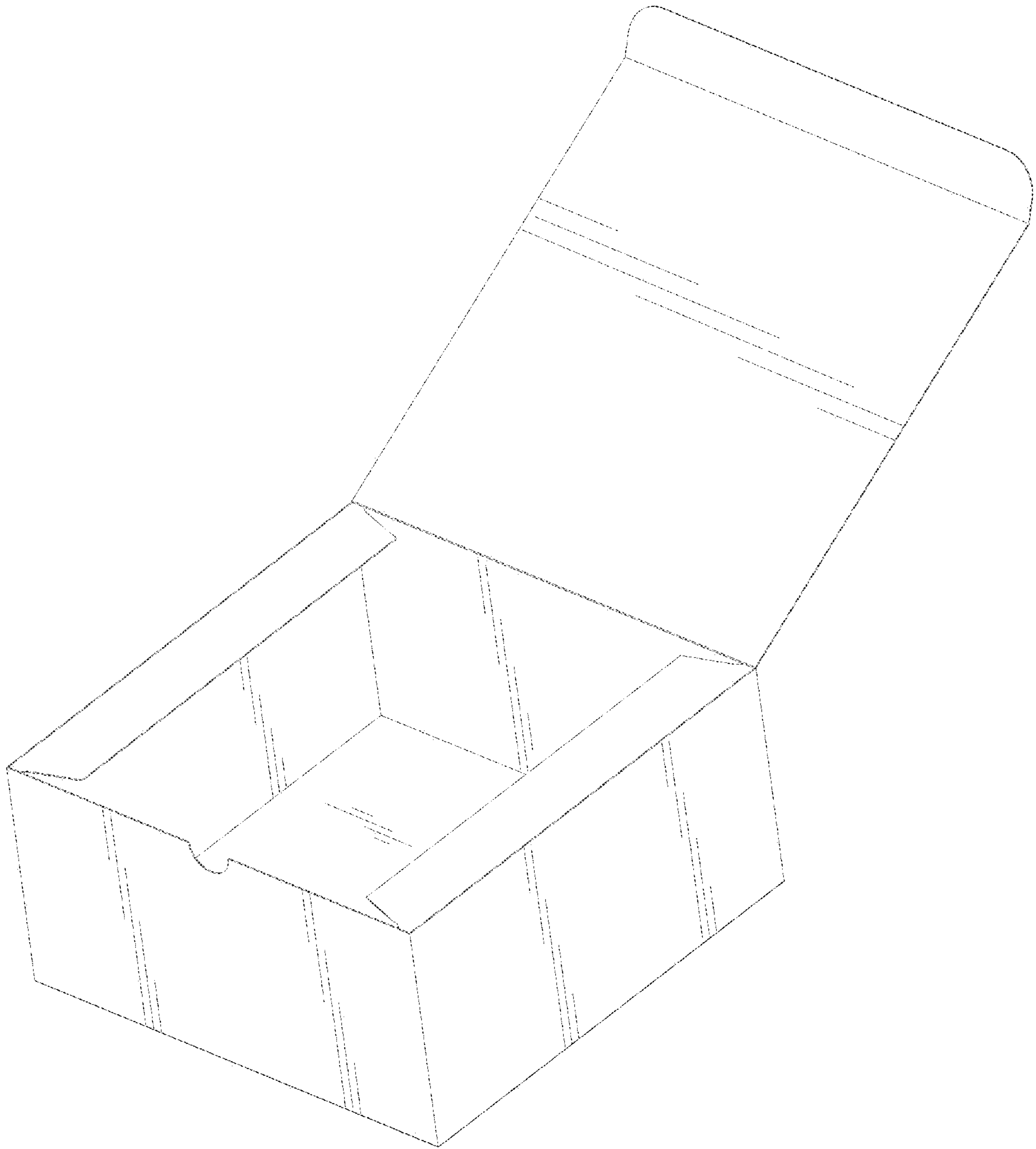


FIG. 9

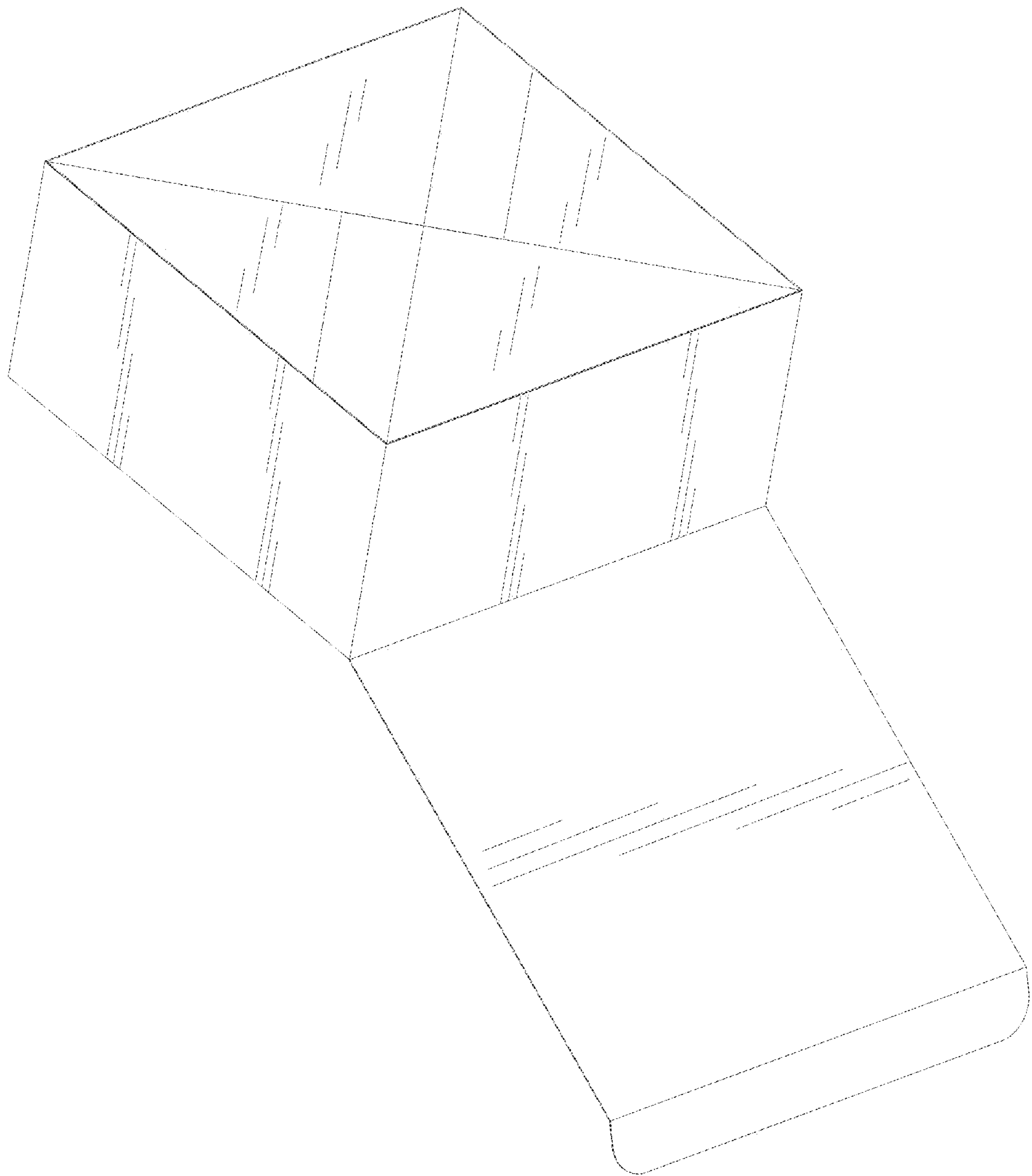


FIG. 10