



US00D961373S

(12) **United States Design Patent**
Sizelove et al.

(10) **Patent No.:** **US D961,373 S**
(45) **Date of Patent:** **** Aug. 23, 2022**

(54) **TIE DOWN FASTENER COMPRISING A BASE WITH A CAP**

(71) Applicant: **Aquatherm Industries, Inc.**,
Lakewood, NJ (US)

(72) Inventors: **J. David Sizelove**, Brick, NJ (US);
Kevin M. Garbie, Toms River, NJ (US)

(73) Assignee: **Aquatherm Industries, Inc.**,
Lakewood, NJ (US)

(**) Term: **15 Years**

(21) Appl. No.: **29/665,727**

(22) Filed: **Oct. 5, 2018**

(51) **LOC (13) Cl.** **08-08**

(52) **U.S. Cl.**
USPC **D8/383**

(58) **Field of Classification Search**
USPC D8/349, 354, 368, 382, 383, 394, 397;
D14/432, 433
CPC F24S 25/61; F24S 25/50; F24S 2080/015;
H01Q 1/1207; F16G 11/00; Y10T 24/21;
Y10T 24/396; Y10T 24/31; Y02E 10/47;
Y02B 10/20

See application file for complete search history.

(56) **References Cited**

U.S. PATENT DOCUMENTS

- 418,369 A * 12/1889 Huff H01B 17/22
174/156
- 1,370,544 A * 3/1921 Leeper F16G 11/06
24/135 R
- 2,426,975 A * 9/1947 Roach D03C 9/0683
139/88

(Continued)

Primary Examiner — Sheryl Lane

Assistant Examiner — Ieisha N Price

(74) *Attorney, Agent, or Firm* — Roberts & Roberts, LLP;
Richard S. Roberts; James C. Lydon

(57) **CLAIM**

The ornamental design for a tie down fastener having a base and a cap, as shown and described.

DESCRIPTION

FIG. 1 is top view of the tie down fastener comprising a base with a cap, shown fully assembled.

FIG. 2 is a top perspective view of the tie down fastener comprising a base with a cap of FIG. 1.

FIG. 3 is a bottom view of the tie down fastener comprising a base with a cap of FIG. 1.

FIG. 4 is a front view of the tie down fastener comprising a base with a cap of FIG. 1. The rear view is identical thereto.

FIG. 5 is a right side view of the tie down fastener comprising a base with a cap of FIG. 1. The left side view is identical thereto.

FIG. 6 is a top view of the base portion of the tie down fastener comprising a base with a cap of FIG. 1, shown with the cap portion removed for ease of illustration.

FIG. 7 is a top perspective view of the base portion of the tie down fastener comprising a base with a cap of FIG. 6.

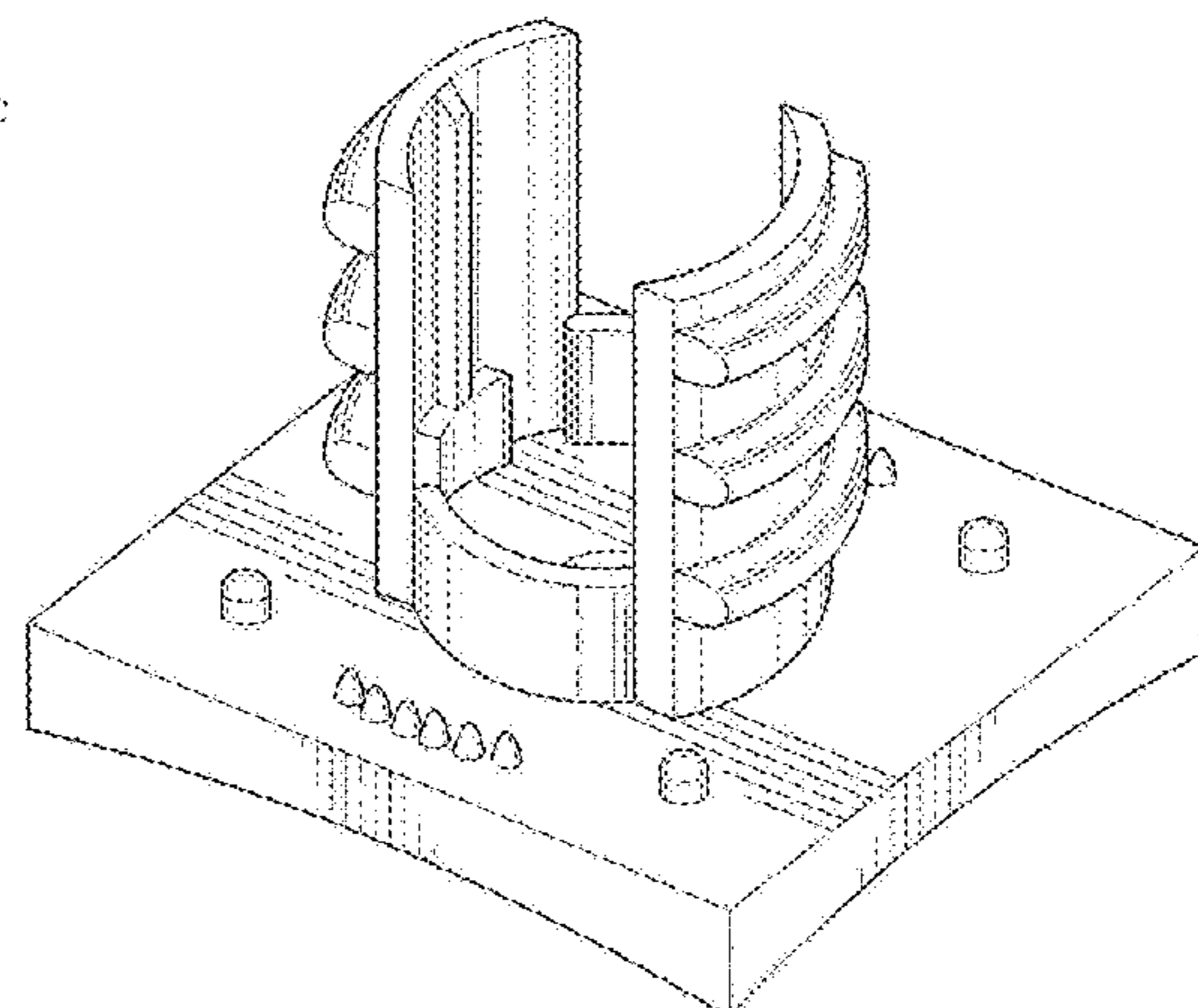
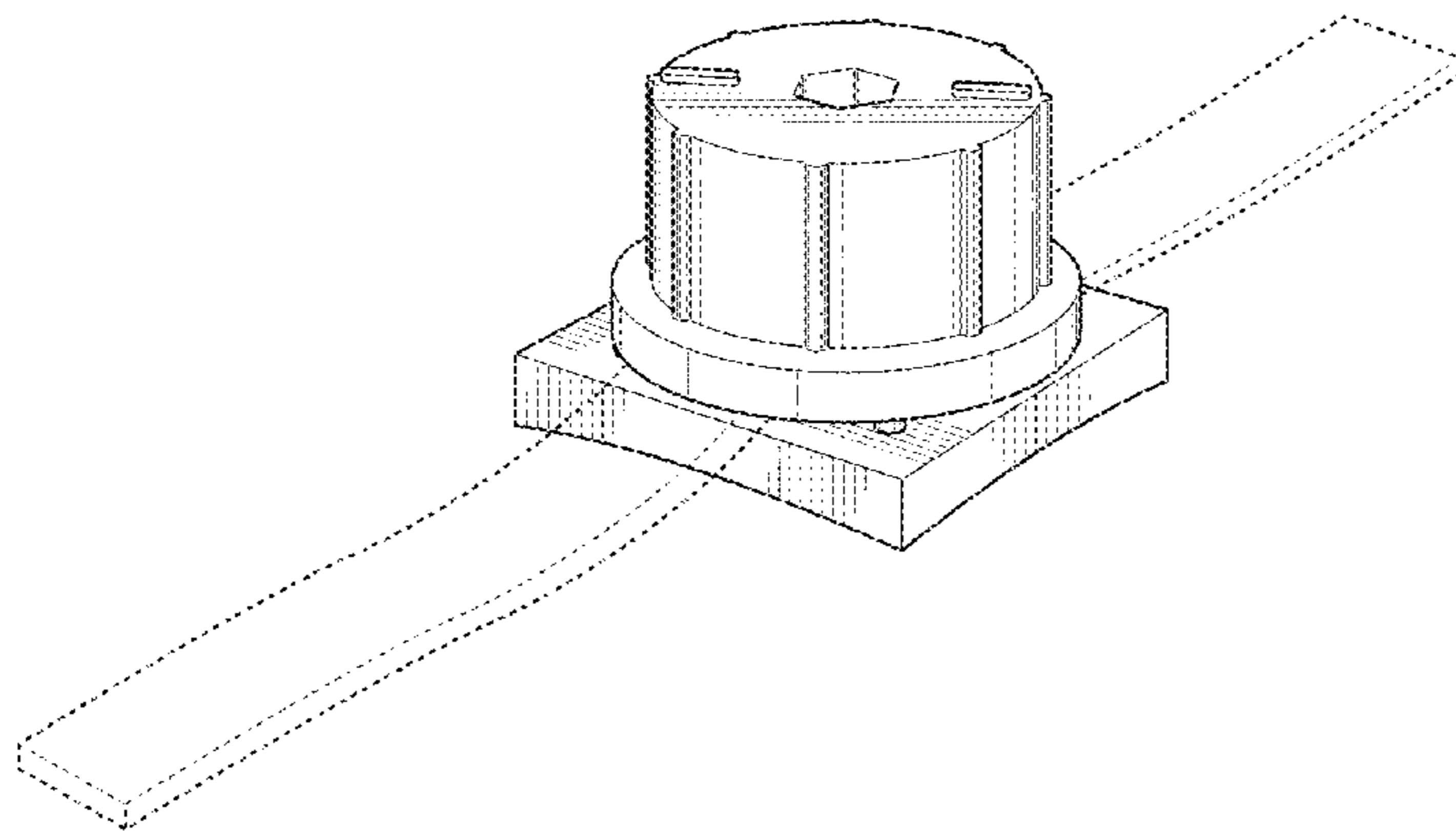
FIG. 8 is a bottom view of the cap portion of the tie down fastener comprising a base with a cap of FIG. 1, shown with the base portion removed for ease of illustration.

FIG. 9 is a bottom perspective view of the cap portion of FIG. 8; and,

FIG. 10 is a front view of the cap portion of FIG. 8. The rear view of the cap portion is identical thereto.

The broken lines showing a polymeric strap illustrate the environment of the claimed design and forms no part thereof.

1 Claim, 5 Drawing Sheets



(56)

References Cited

U.S. PATENT DOCUMENTS

2,915,267 A * 12/1959 Kaysing F16L 3/10
248/67.5

4,407,477 A 10/1983 Backlund et al.

D272,718 S * 2/1984 Knudson D8/382

D279,165 S * 6/1985 Smith D8/354

D301,545 S * 6/1989 Wrigley D13/129

4,915,653 A * 4/1990 Mair H01R 4/44
439/781

D311,131 S * 10/1990 Saito D8/397

D328,241 S * 7/1992 Longstreet D8/356

5,489,173 A * 2/1996 Hofle F16B 37/046
411/85

5,607,313 A * 3/1997 Nyman H01R 12/57
439/83

5,707,188 A * 1/1998 Longstreet B60P 7/0823
24/135 A

6,019,557 A * 2/2000 Lo F16B 37/00
411/176

D424,924 S * 5/2000 Ackerman D13/149

D456,026 S * 4/2002 Goto D14/432

D526,278 S * 8/2006 Heary, Sr. D13/154

D554,976 S * 11/2007 Hutter, III D8/354

D556,017 S * 11/2007 Hutter, III D8/354

7,854,750 B2 * 12/2010 Bonutti A61B 17/0487
606/232

D631,780 S * 2/2011 Levy D11/87

D634,612 S * 3/2011 Ghatikar D8/382

D730,165 S * 5/2015 Refior D8/349

D739,206 S * 9/2015 Foret D11/220

D739,222 S * 9/2015 Chadbourne D8/394

9,339,408 B2 * 5/2016 Chadwick A61F 5/3776

D763,671 S 8/2016 Sizelove

9,531,319 B2 * 12/2016 Braunstein F24S 25/30

D780,558 S * 3/2017 Mouthaan D8/354

9,673,583 B2 * 6/2017 Hudson H01R 4/64

D793,216 S * 8/2017 Divers D8/396

D803,040 S * 11/2017 Schuit D8/397

D806,520 S * 1/2018 Krombein D8/354

D807,727 S * 1/2018 Krombein D8/354

9,908,454 B1 * 3/2018 Waters, Jr. B60P 7/0846

D818,809 S * 5/2018 Hetrick D8/394

D823,101 S * 7/2018 Wassdahl D8/382

D860,772 S * 9/2019 Jiang D8/394

10,414,315 B2 * 9/2019 Strong B60N 3/026

2002/0084338 A1 * 7/2002 Hyp B60P 7/0807
238/315

2003/0101662 A1 * 6/2003 Ullman E04D 13/12
52/27

2010/0192505 A1 * 8/2010 Schaefer A47B 96/14
52/653.2

2012/0144760 A1 * 6/2012 Schaefer E04C 3/06
52/58

2013/0020455 A1 * 1/2013 Sizelove H01Q 1/1207
248/309.1

2015/0377275 A1 * 12/2015 De France F16G 11/00
411/10

2016/0111996 A1 * 4/2016 Stephan F16B 5/0028
248/316.6

2017/0045071 A1 * 2/2017 Hemingway F16B 1/0014

2018/0141481 A1 * 5/2018 Gomes B60P 3/064

2019/0013772 A1 * 1/2019 Bamat F16B 5/065

2019/0305400 A1 * 10/2019 Su H01Q 1/1207

* cited by examiner

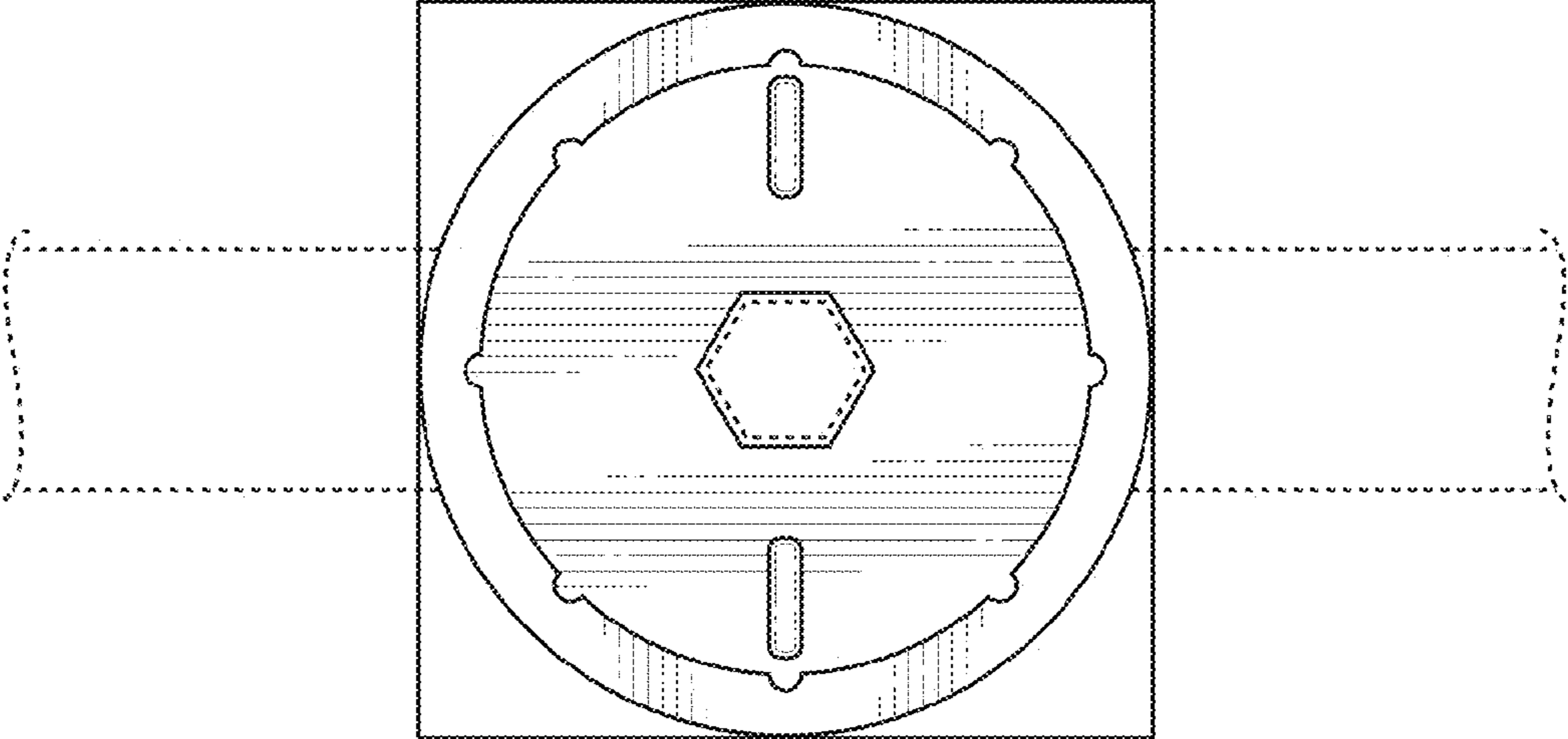


FIG. 1

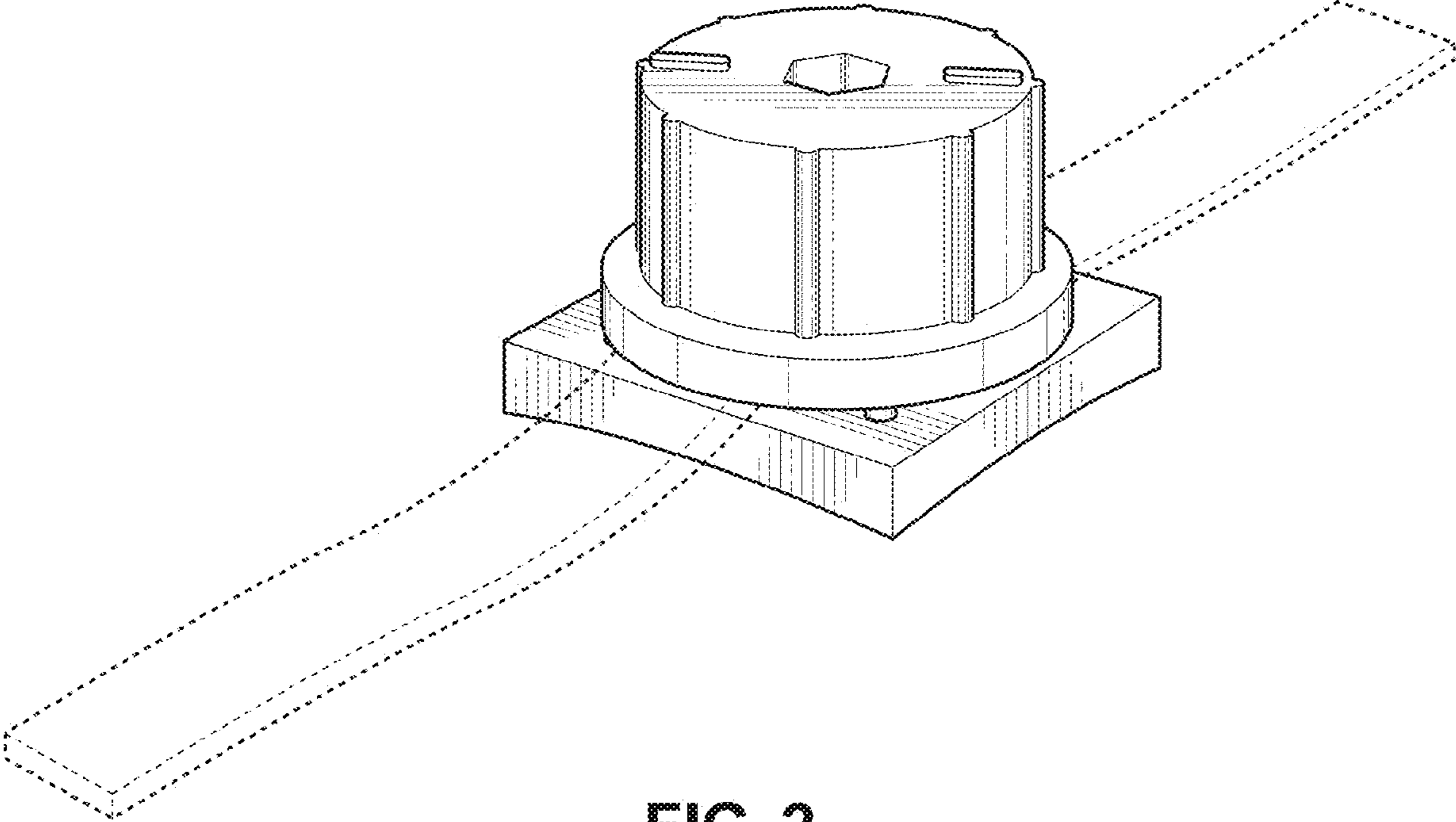


FIG. 2

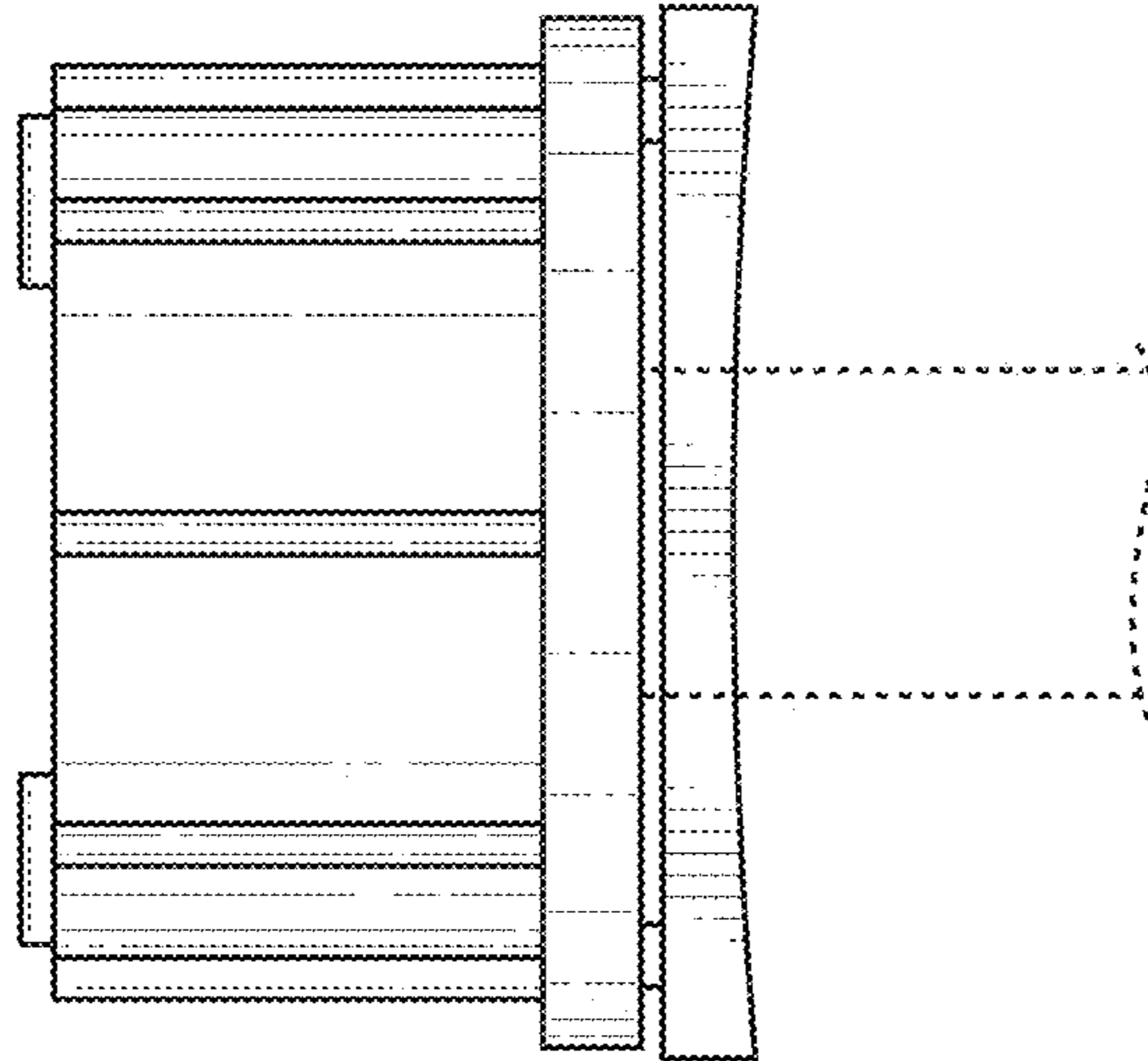


FIG. 4

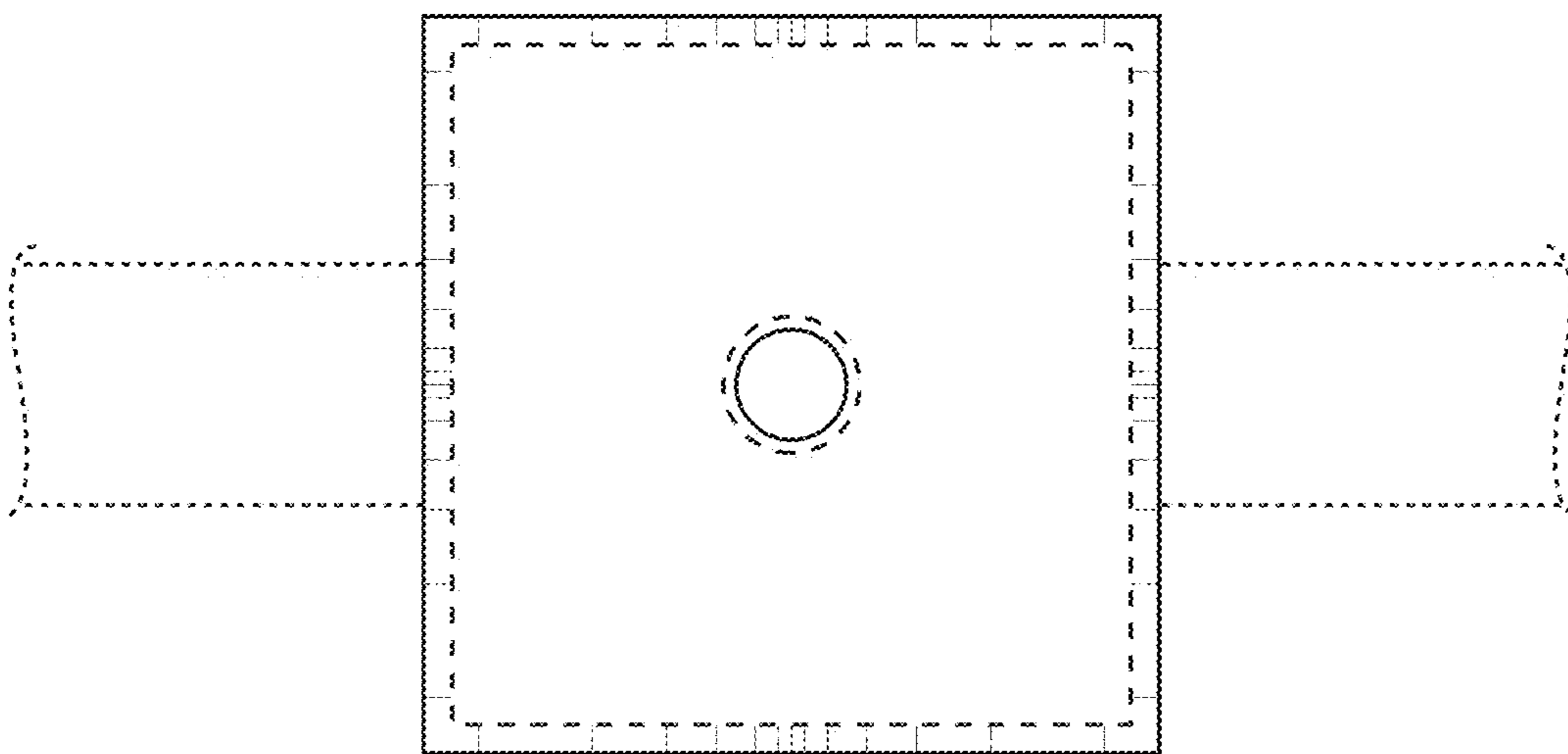


FIG. 3

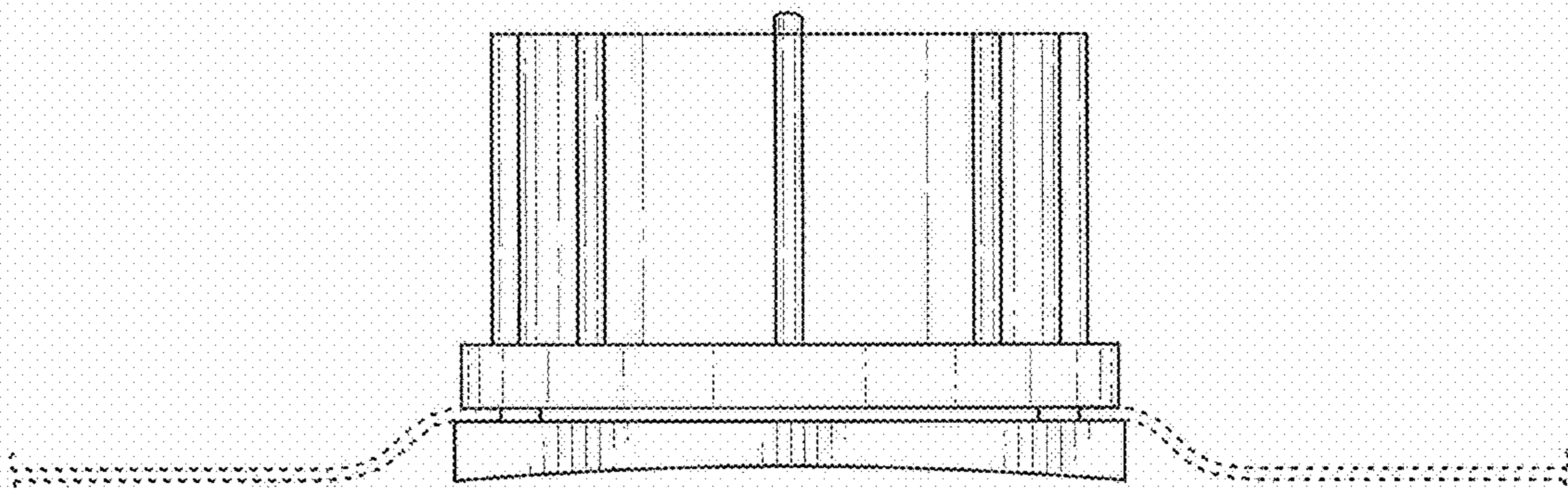


FIG. 5

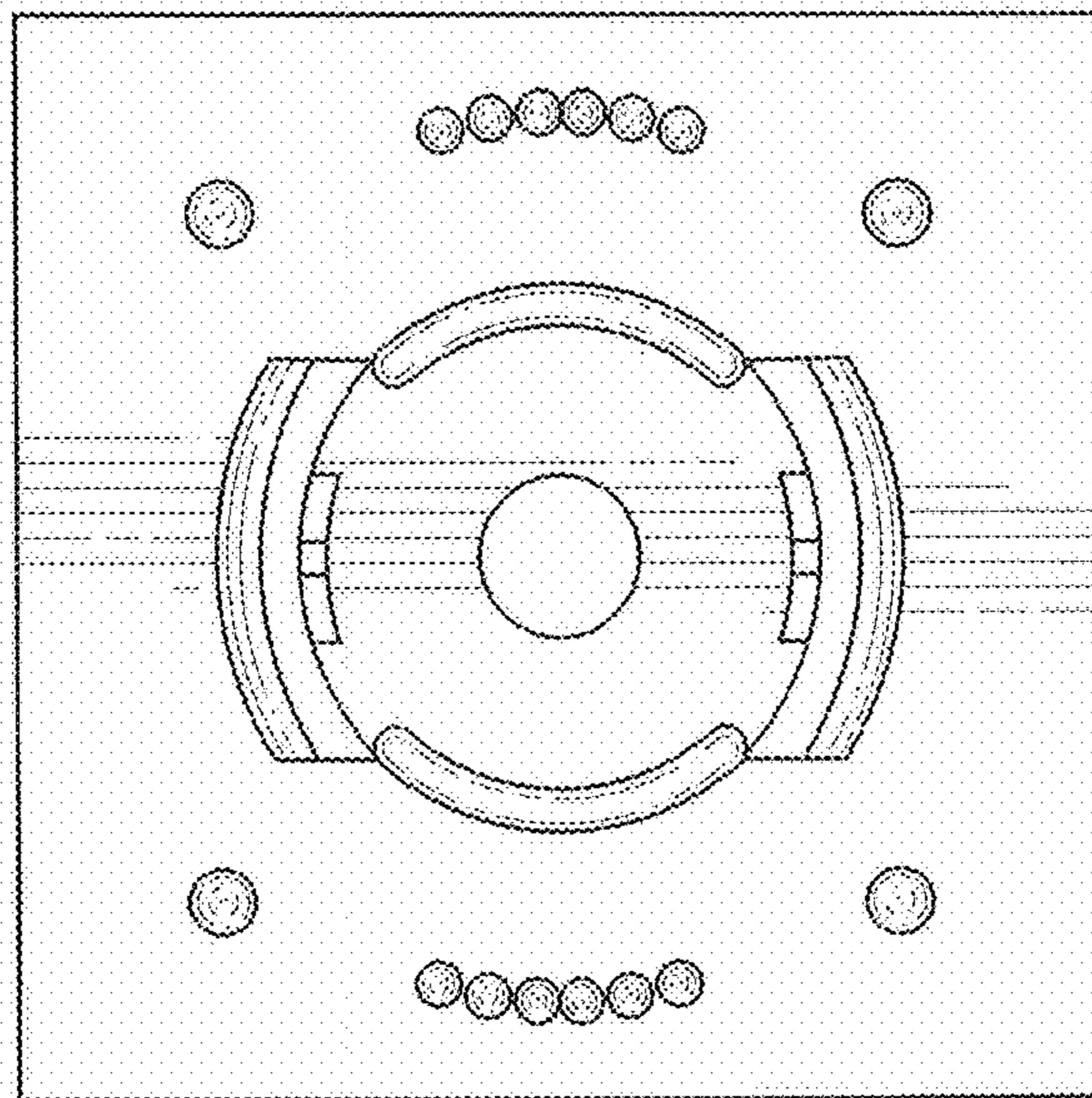


FIG. 6

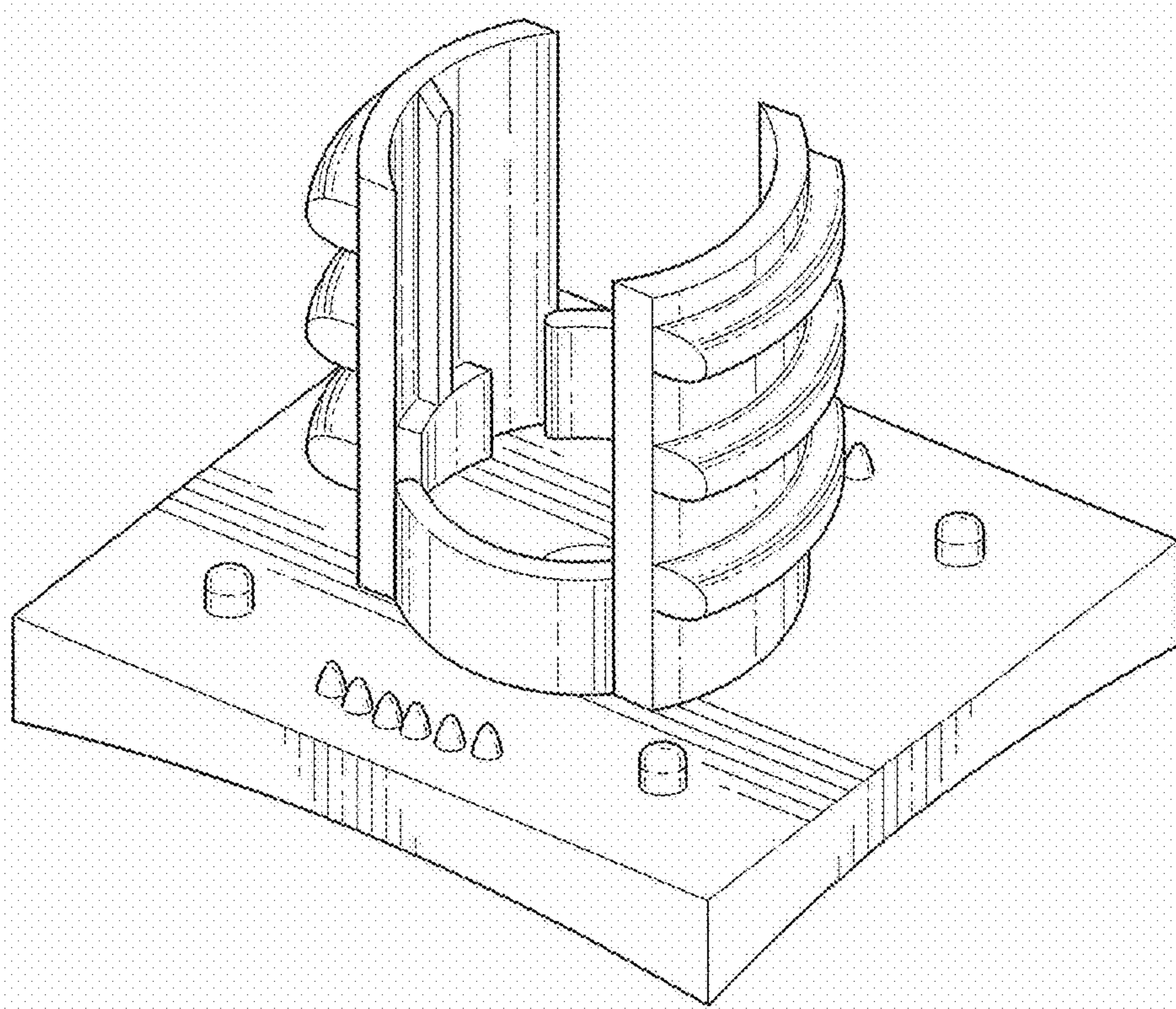


FIG. 7

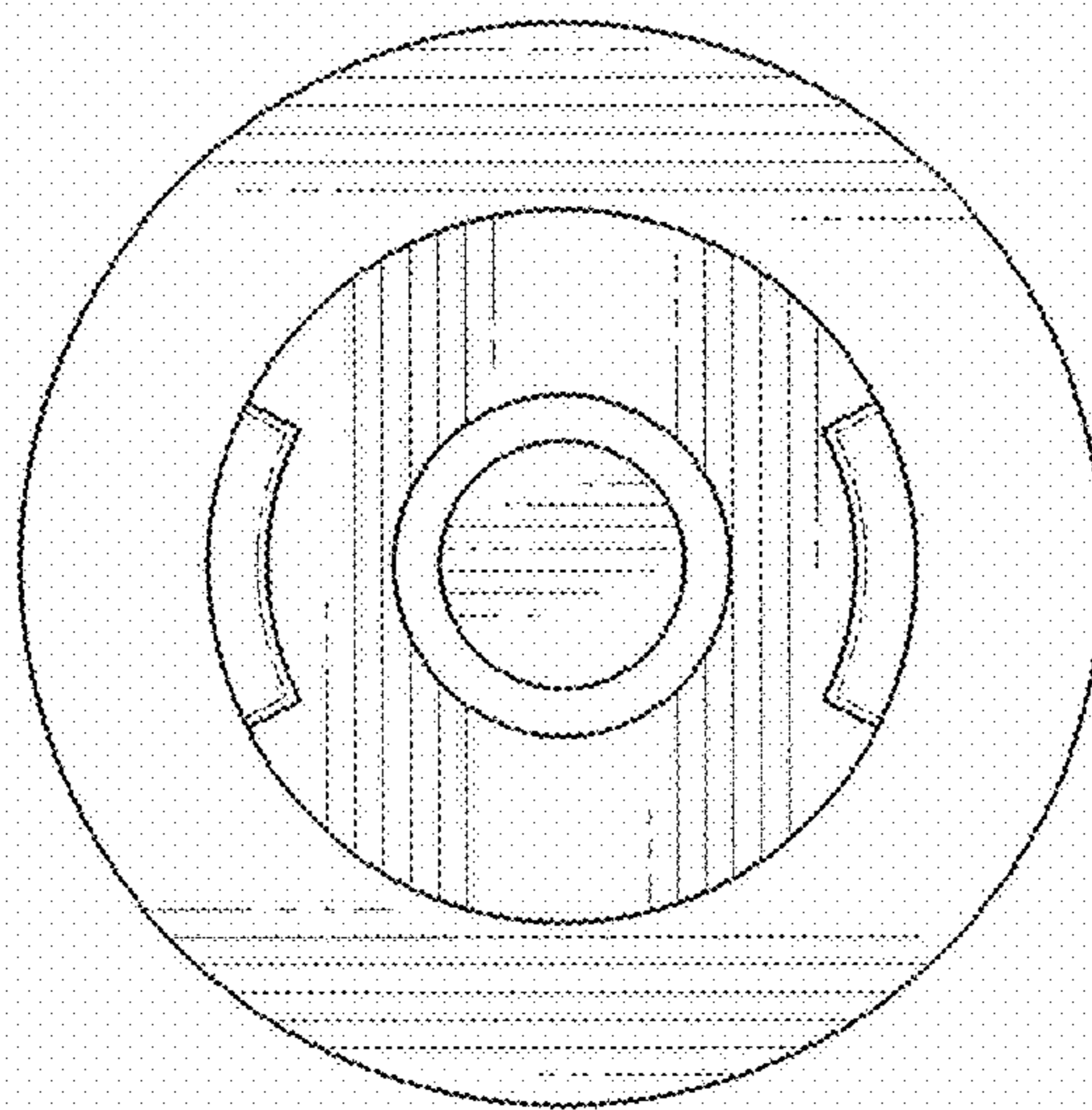


FIG. 8

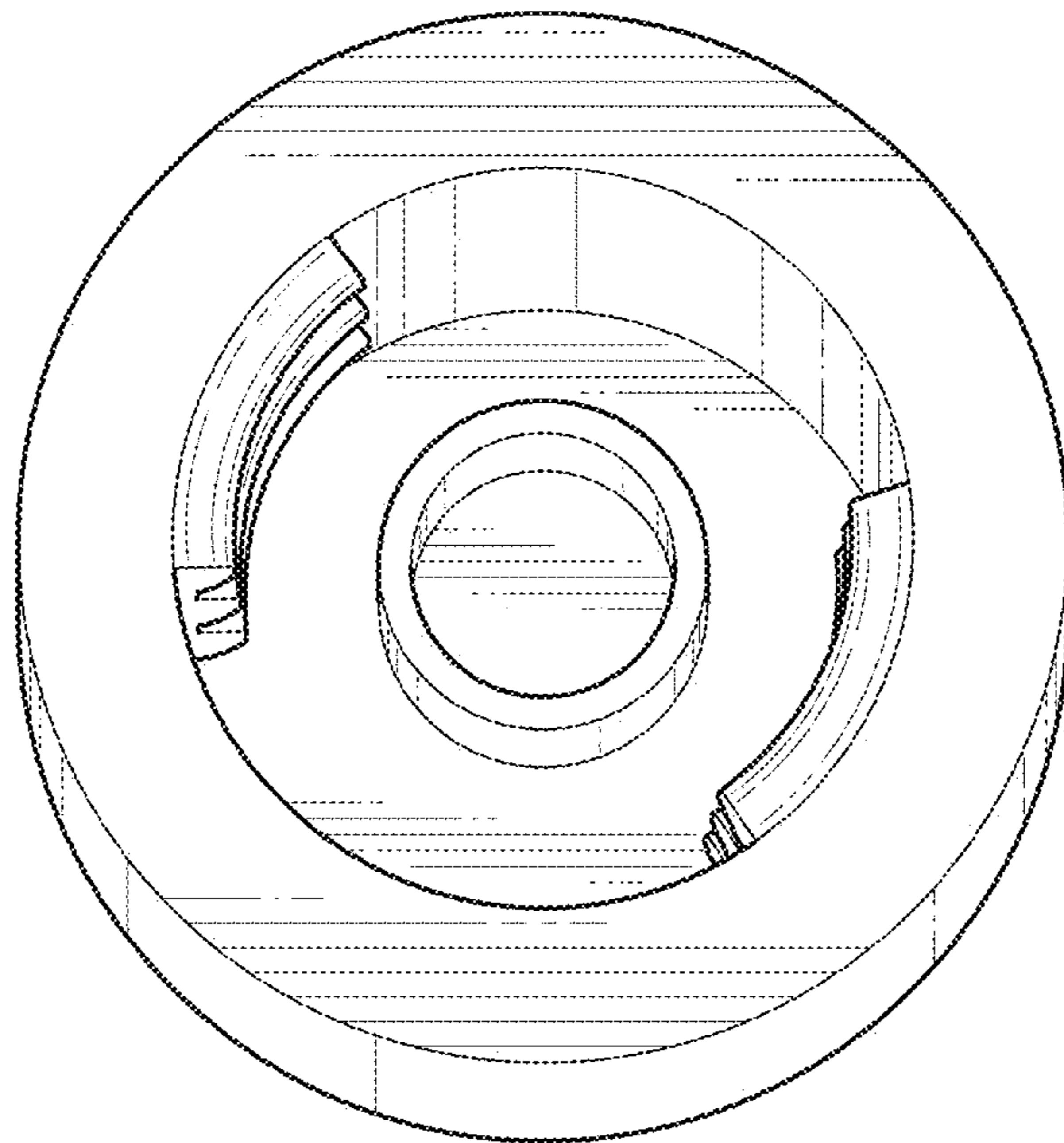


FIG. 9

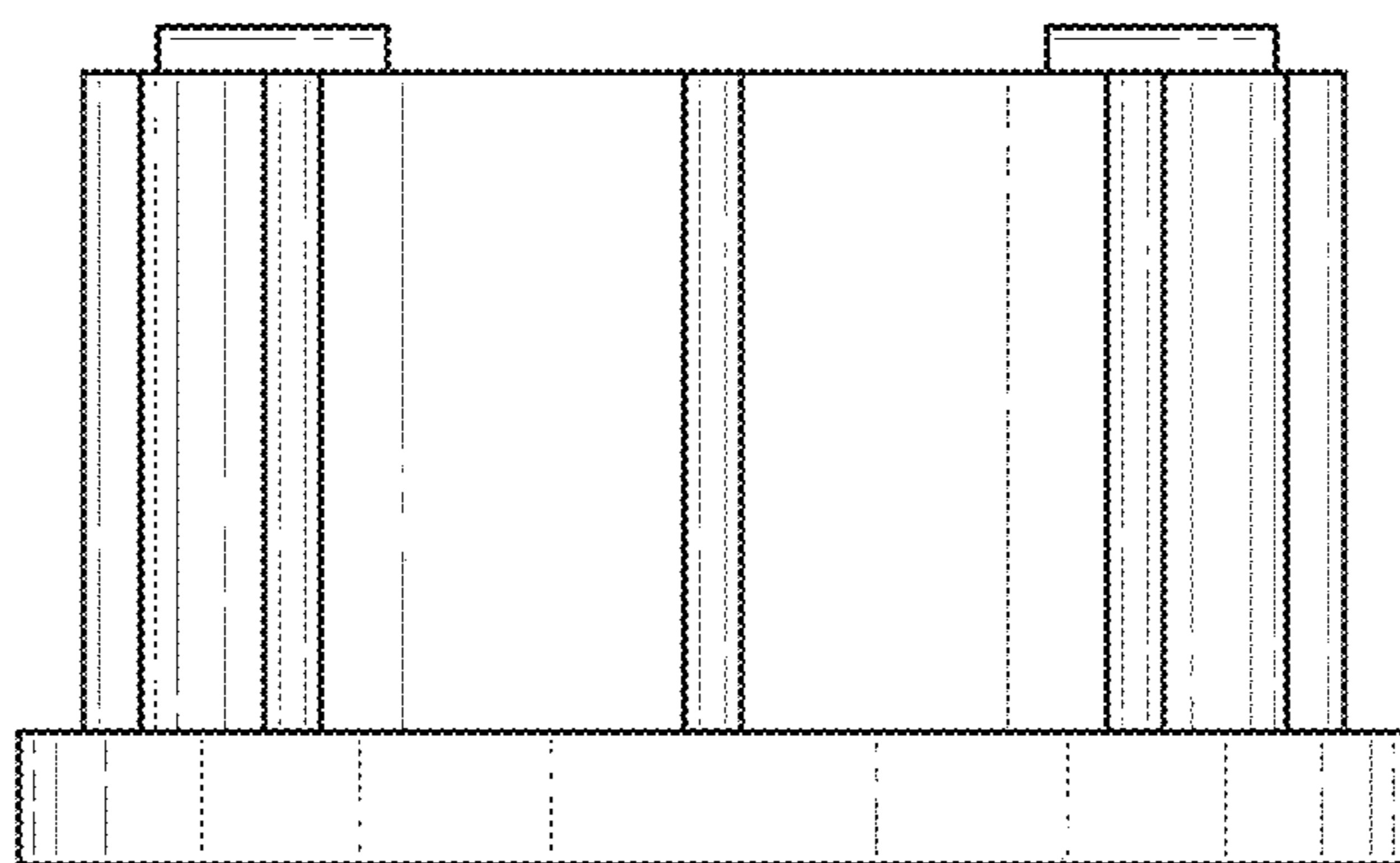


FIG. 10