



US00D961372S

(12) **United States Design Patent**
Monroe

(10) **Patent No.:** **US D961,372 S**

(45) **Date of Patent:** **** Aug. 23, 2022**

(54) **MANUAL PIN-OFF ASSEMBLY**

(71) Applicant: **Diversified Metal Fabricators, Inc.**,
Atlanta, GA (US)

(72) Inventor: **Timothy Alwin Monroe**, Atlanta, GA
(US)

(73) Assignee: **DIVERSIFIED METAL
FABRICATORS, INC.**, Atlanta, GA
(US)

(**) Term: **15 Years**

(21) Appl. No.: **29/706,477**

(22) Filed: **Sep. 20, 2019**

(51) **LOC (13) Cl.** **08-08**

(52) **U.S. Cl.**
USPC **D8/382**

(58) **Field of Classification Search**
USPC D8/382-383, 394-395, 330-331, 339,
D8/344

CPC F16B 12/125; F16B 12/22; F16B 12/24;
F16B 19/00; F16B 19/008; F16B
2005/0678; F16B 21/086; F16B 2/22;
F16B 5/0084; F16B 5/0607; F16B
5/0657; E05B 73/00

See application file for complete search history.

(56) **References Cited**

U.S. PATENT DOCUMENTS

D418,397 S *	1/2000	Sasa	D8/382
6,164,885 A *	12/2000	Roytberg	F16B 37/02
				411/173
6,283,689 B1 *	9/2001	Roytberg	F16B 37/02
				411/182
D451,984 S *	12/2001	Tigerholm	D23/262
D656,392 S *	3/2012	McKenna	D8/382
D696,574 S *	12/2013	Caterinacci	D8/382
D700,037 S *	2/2014	Lohmann	D8/330

D703,519 S *	4/2014	Sensenev	D8/382
D743,243 S *	11/2015	Strunk	D8/382
D805,883 S *	12/2017	Evitt	D8/382
D806,516 S *	1/2018	Alan	D8/331
D881,680 S *	4/2020	Huang	D8/352
D889,383 S *	7/2020	Wang	D12/415

(Continued)

Primary Examiner — Susan Bennett Hattan

Assistant Examiner — Elizabeth S Ko

(74) *Attorney, Agent, or Firm* — Thomas|Horstemeyer,
LLP

(57) **CLAIM**

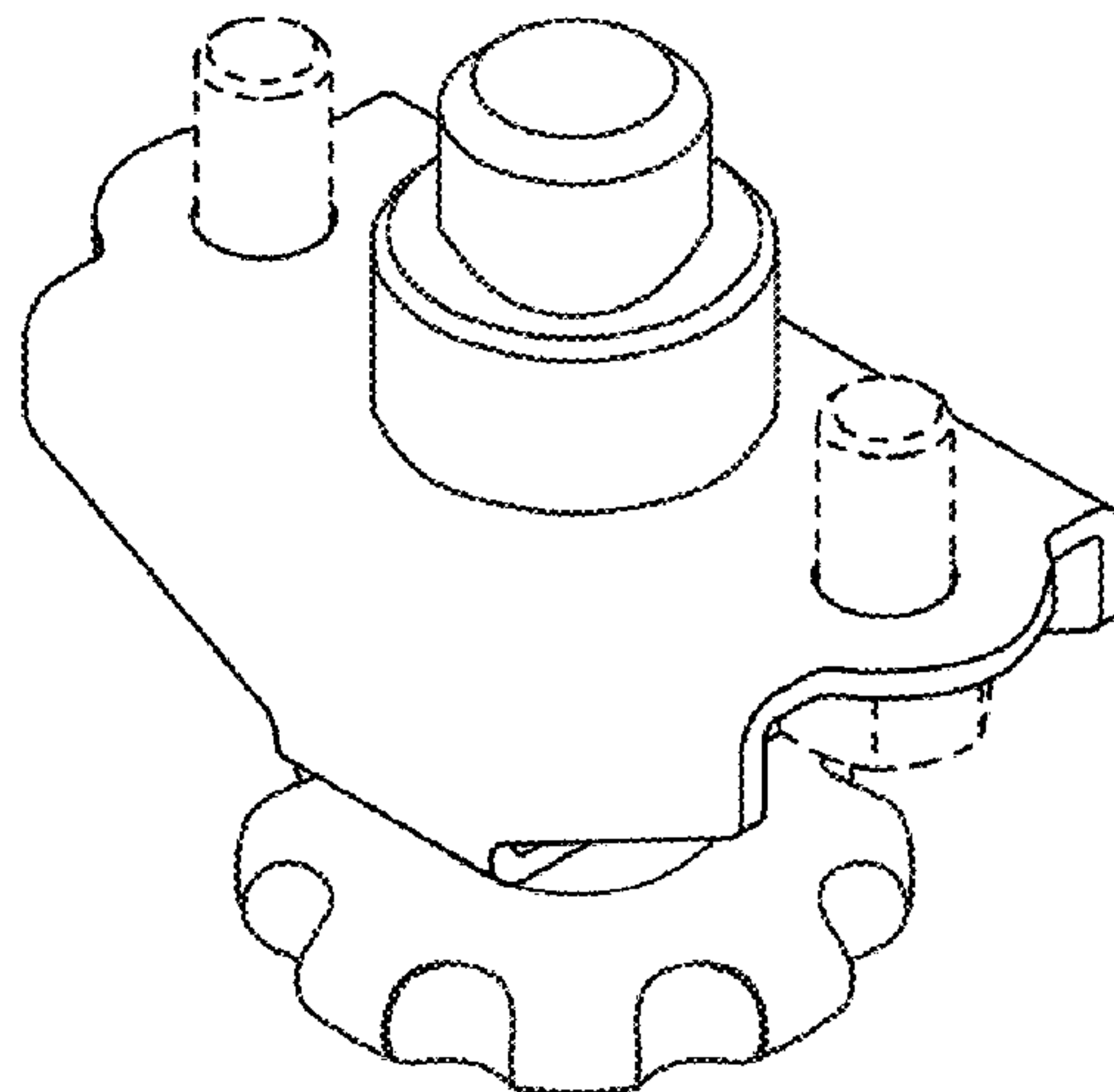
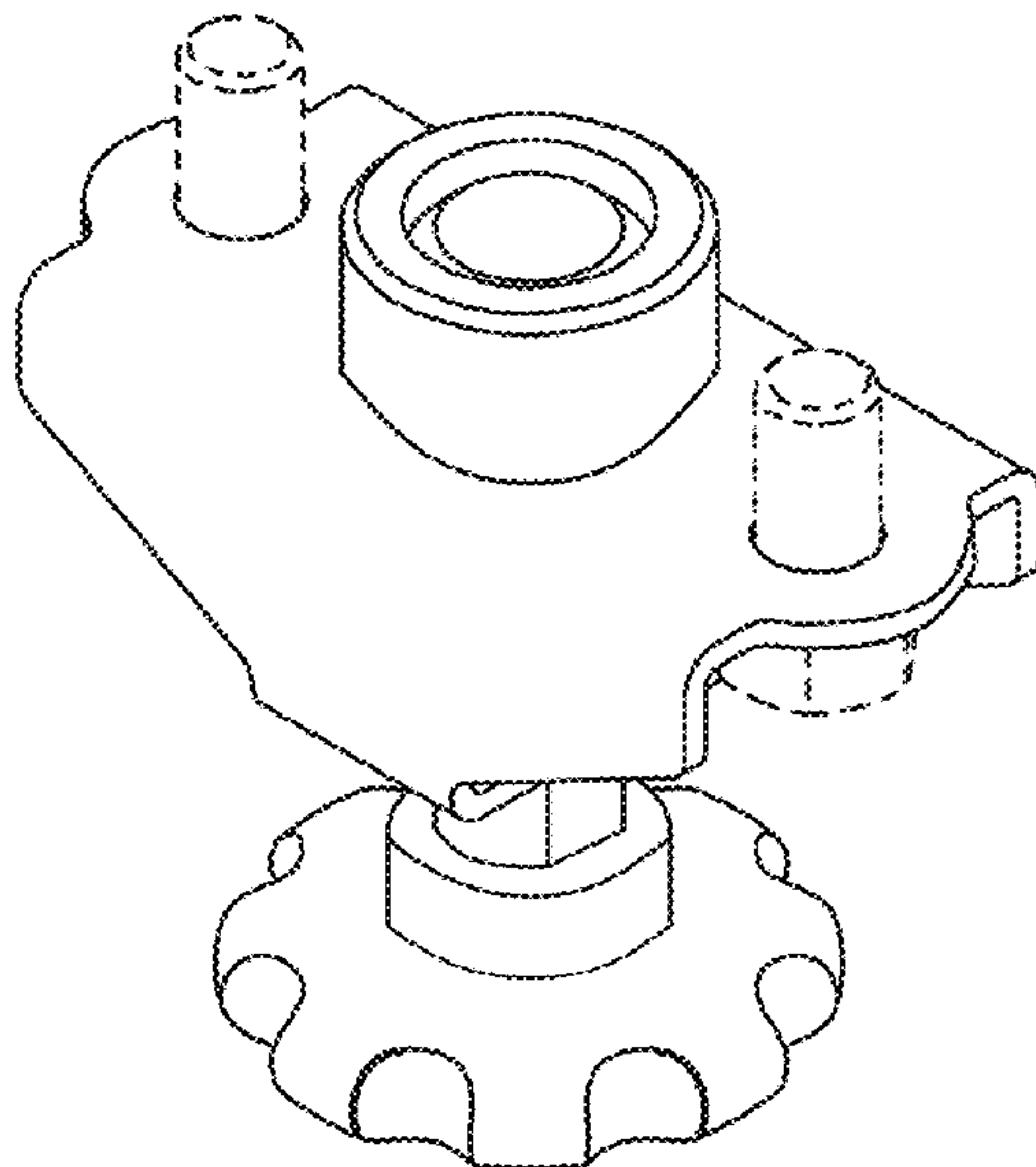
The ornamental design for a manual pin-off assembly, as shown and described.

DESCRIPTION

FIG. 1 is a front perspective view of a manual pin-off assembly, showing my new design;
 FIG. 2 is a rear perspective view thereof;
 FIG. 3 is a front view thereof;
 FIG. 4 is a rear view thereof;
 FIG. 5 is a side view thereof;
 FIG. 6 is a side view thereof, opposite that of FIG. 5;
 FIG. 7 is a top view thereof;
 FIG. 8 is a bottom view thereof;
 FIG. 9 is a front perspective view of the manual pin-off assembly of FIG. 1 shown in deployed mode;
 FIG. 10 is a rear perspective view of the manual pin-off assembly of FIG. 9;
 FIG. 11 is a front view thereof;
 FIG. 12 is a rear view thereof;
 FIG. 13 is a side view thereof;
 FIG. 14 is a side view thereof, opposite that of FIG. 13;
 FIG. 15 is a top view thereof; and,
 FIG. 16 is a bottom view thereof.

The broken lines depict unclaimed parts of the manual pin-off assembly, and thus form no part of the claimed design.

1 Claim, 4 Drawing Sheets



(56)

References Cited

U.S. PATENT DOCUMENTS

D928,220 S * 8/2021 Liang D16/242
2011/0318093 A1* 12/2011 Liao F16M 11/041
403/142

* cited by examiner

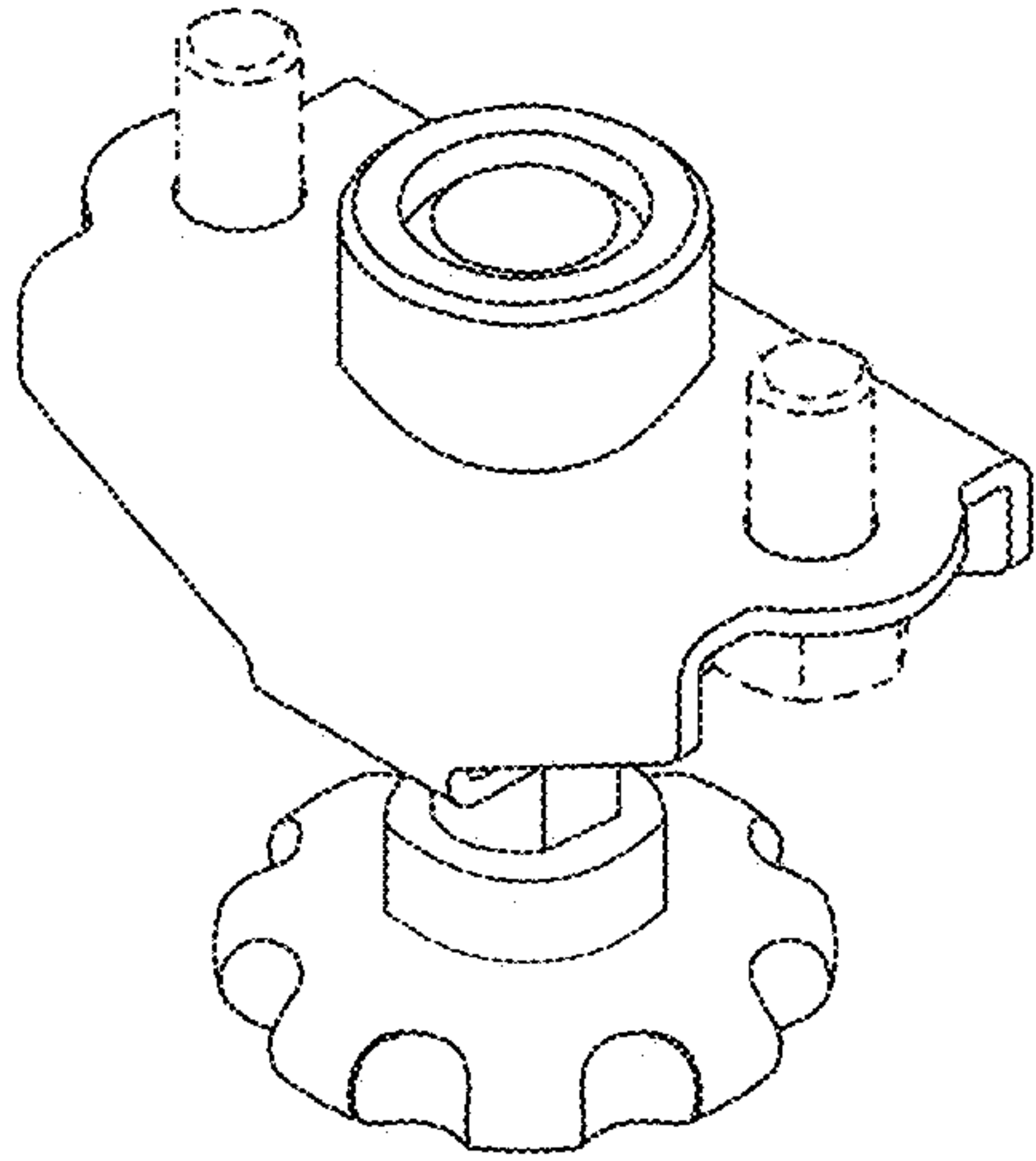


FIG. 1

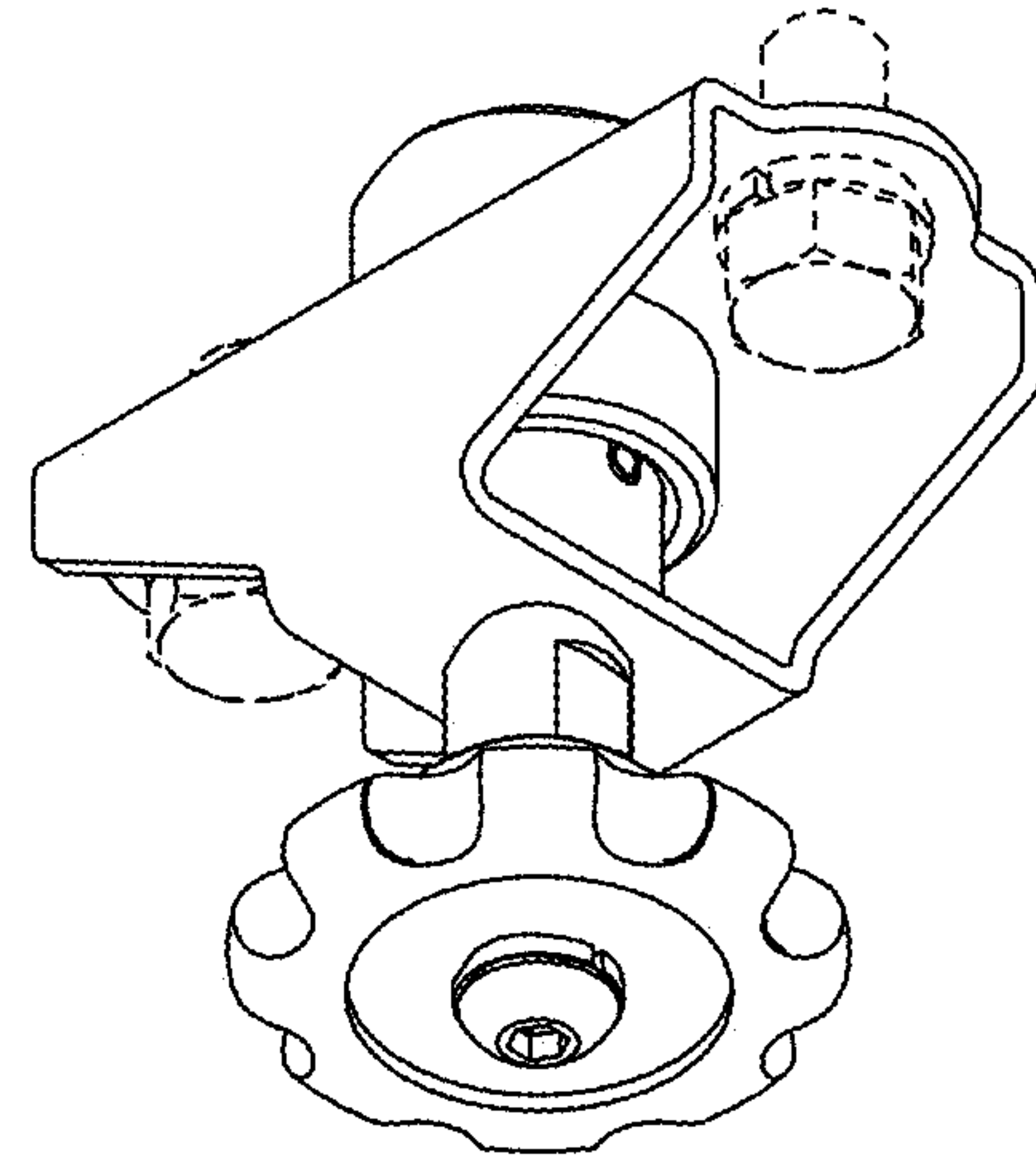


FIG. 2

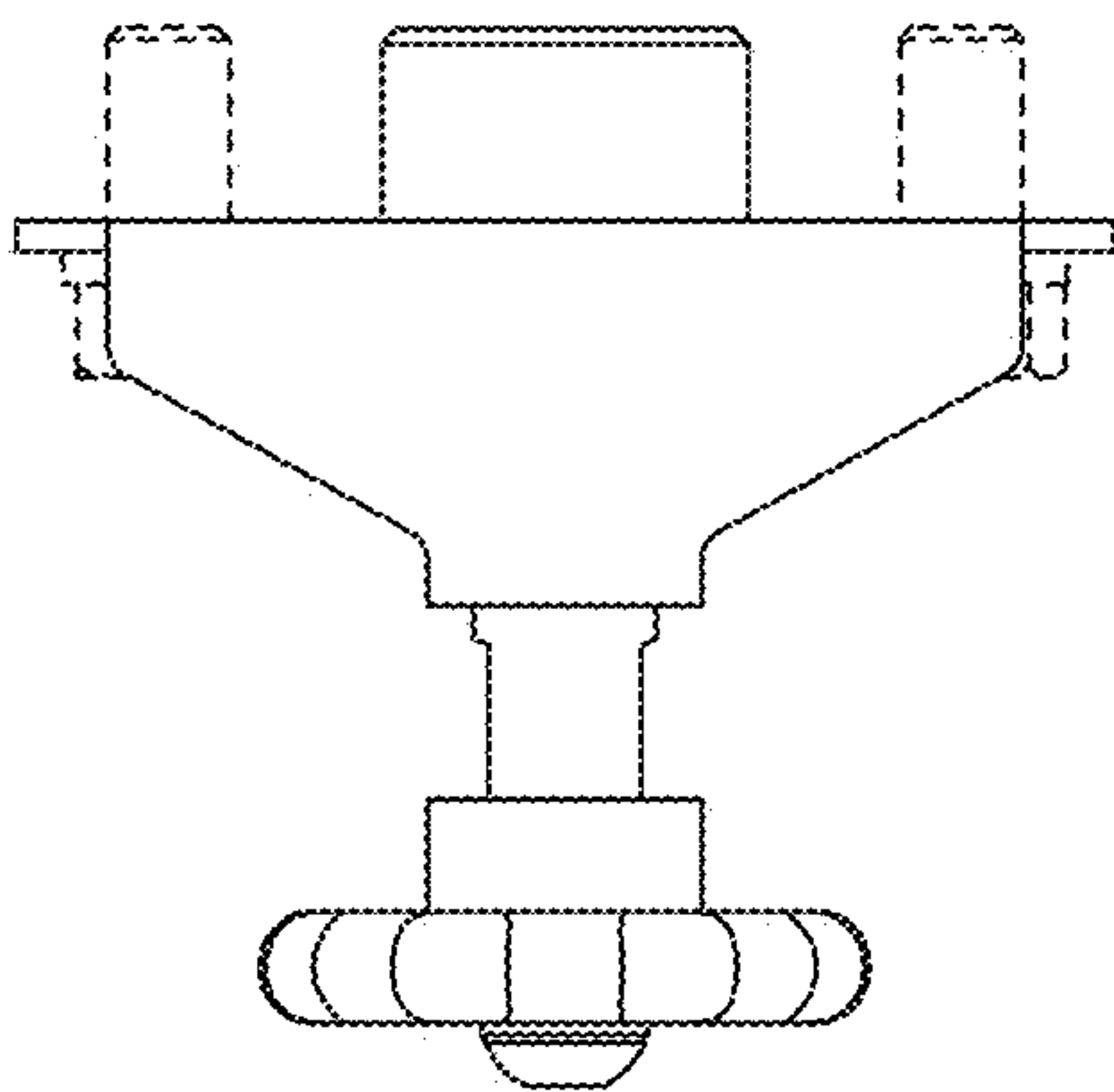


FIG. 3

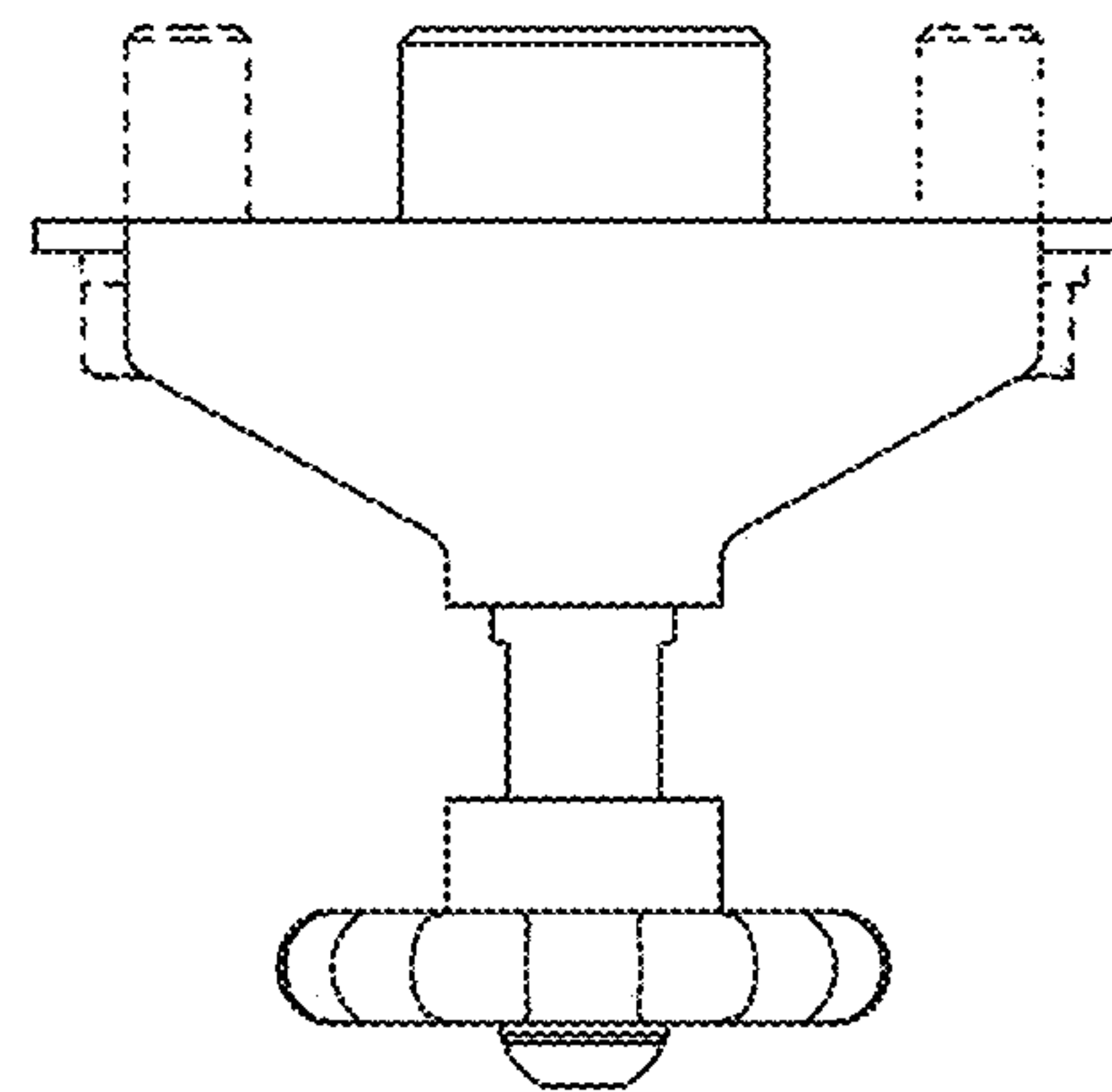


FIG. 4

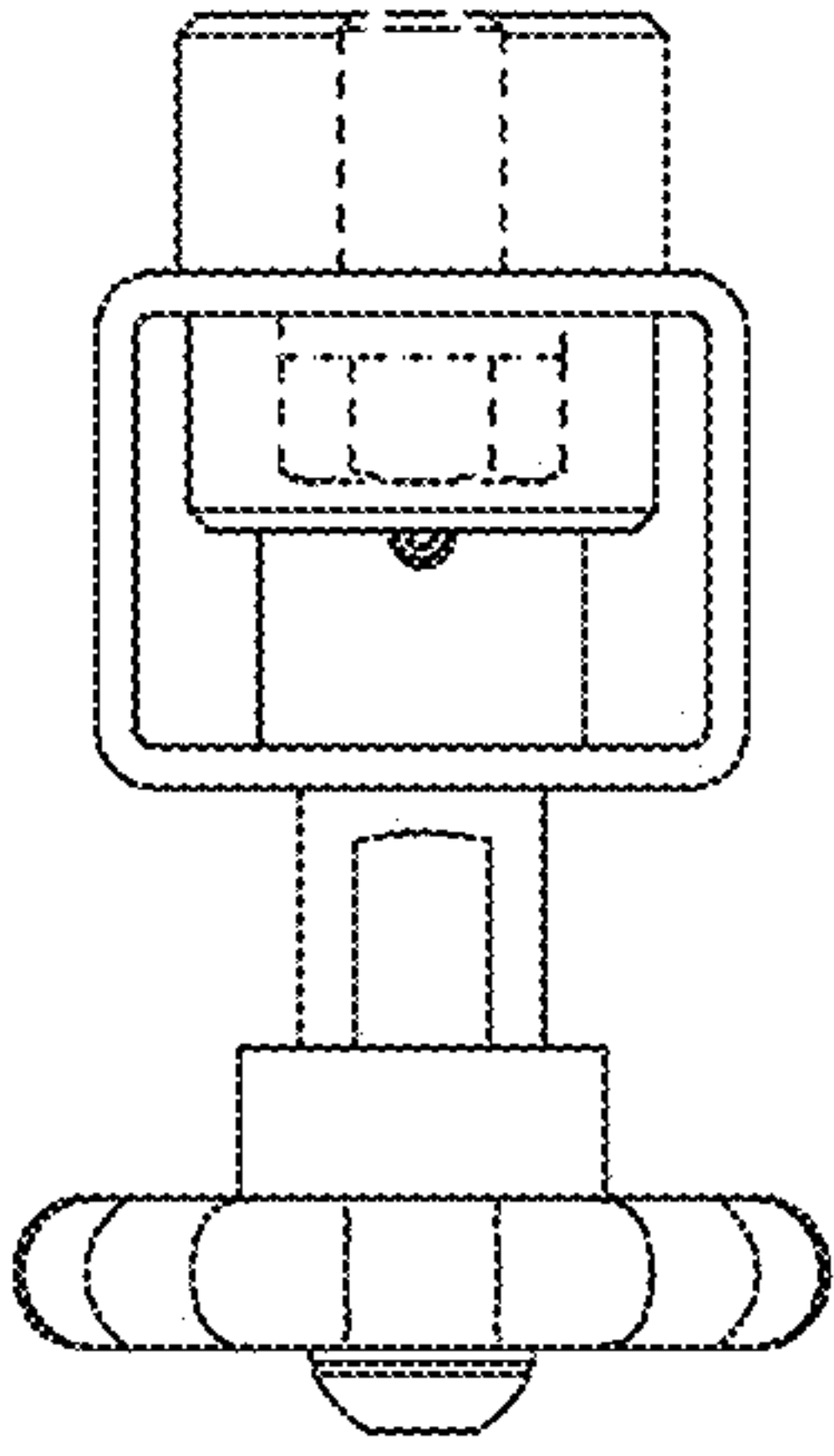


FIG. 5

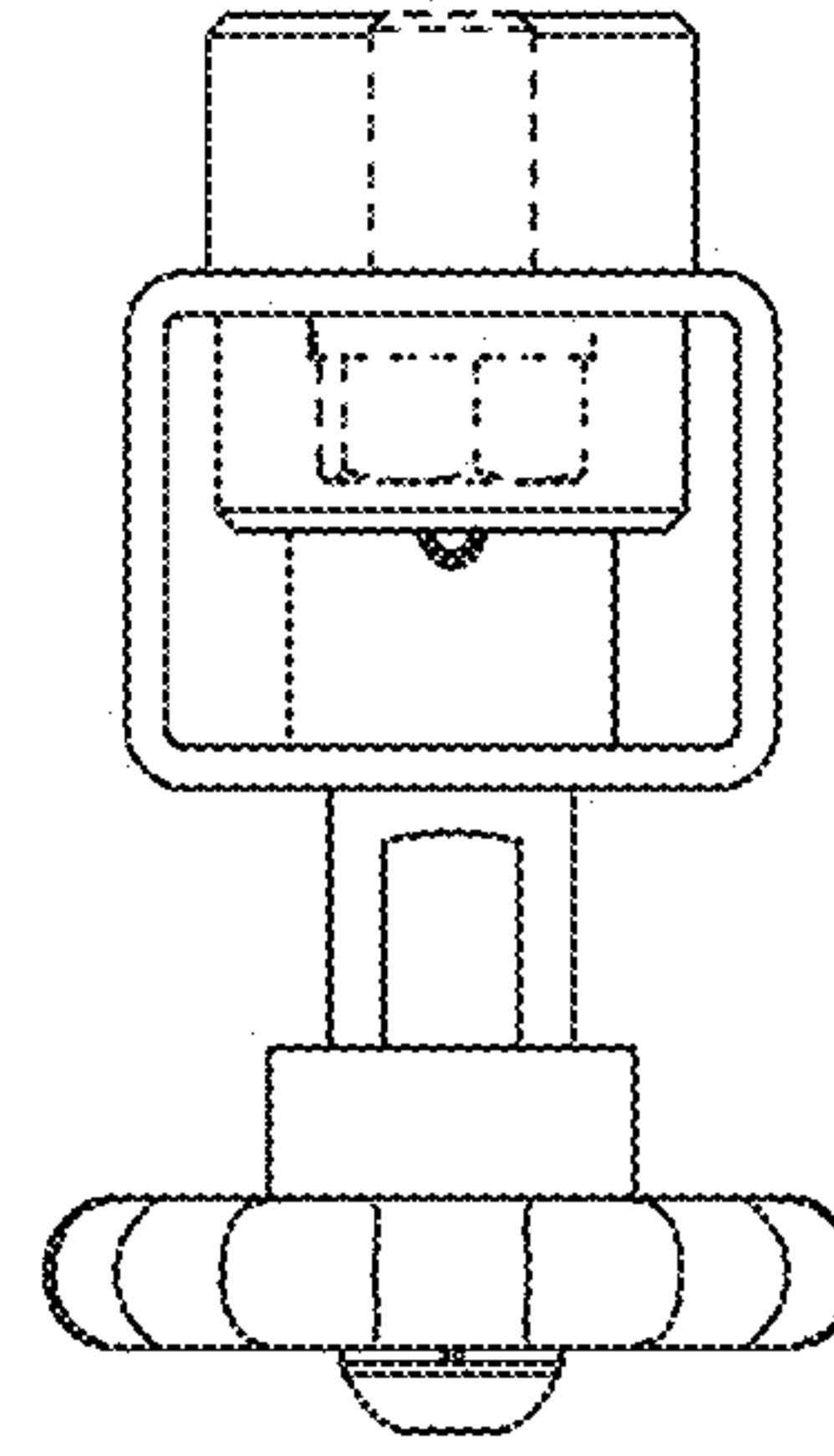


FIG. 6

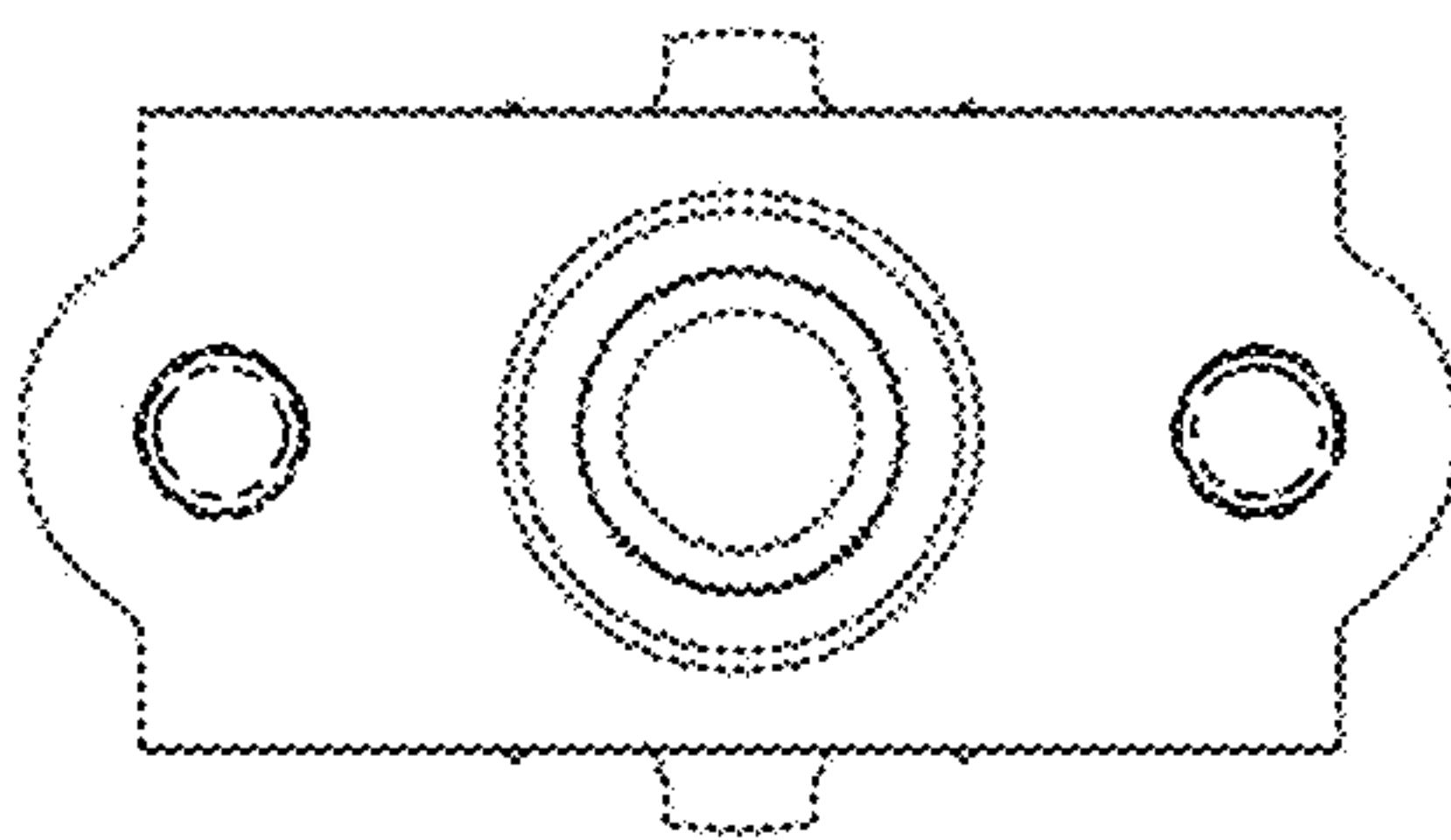


FIG. 7

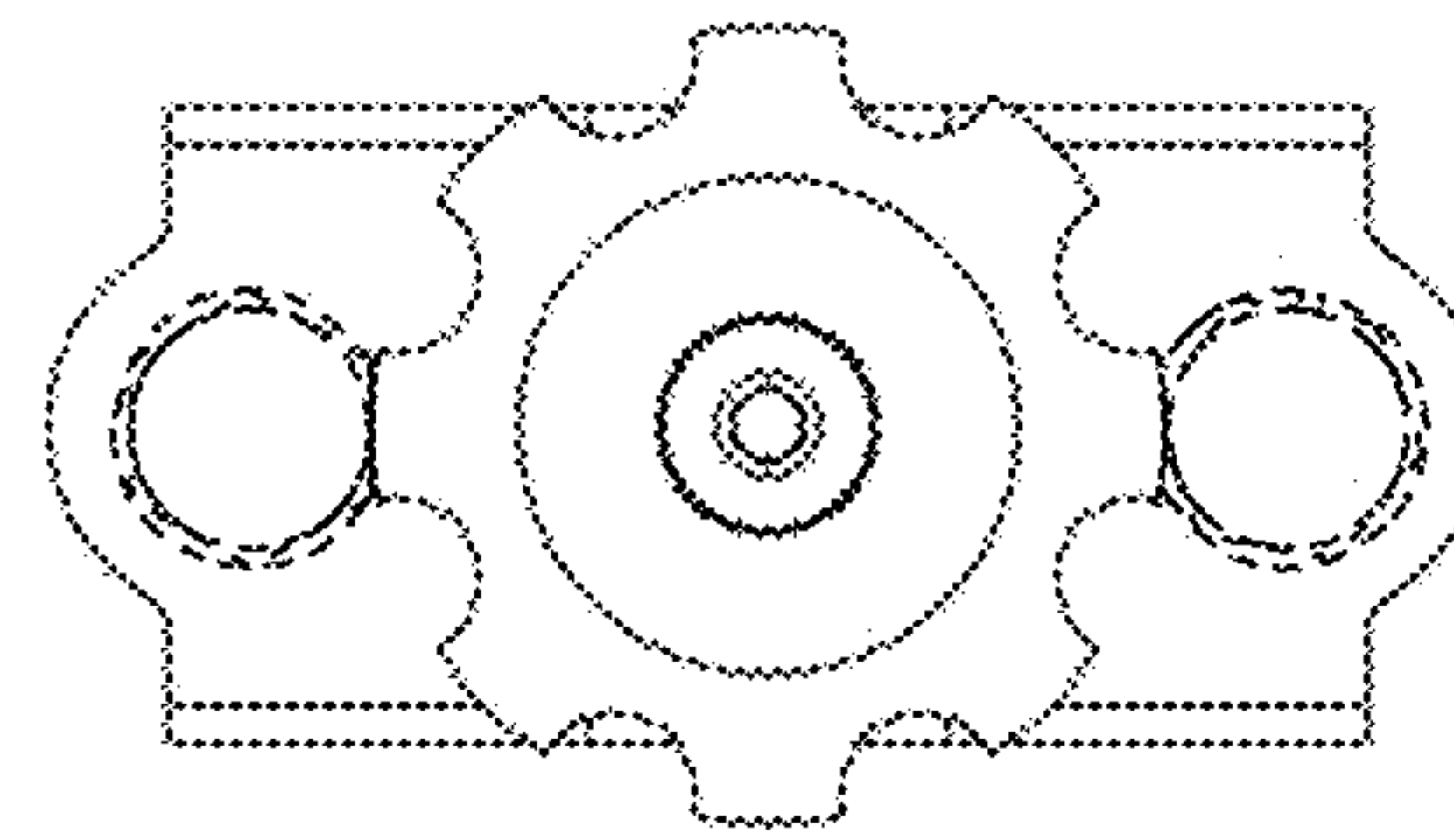


FIG. 8

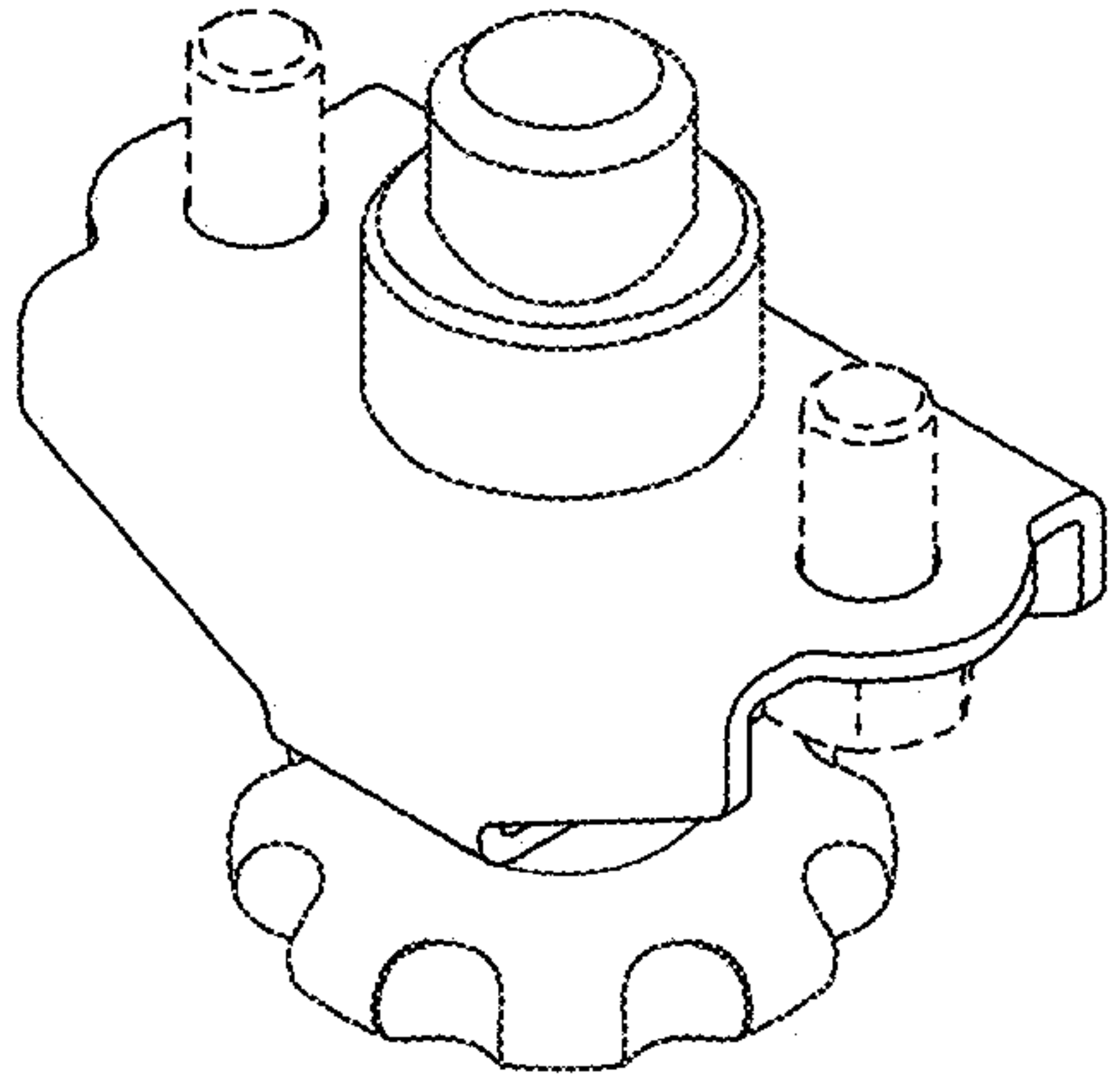


FIG. 9

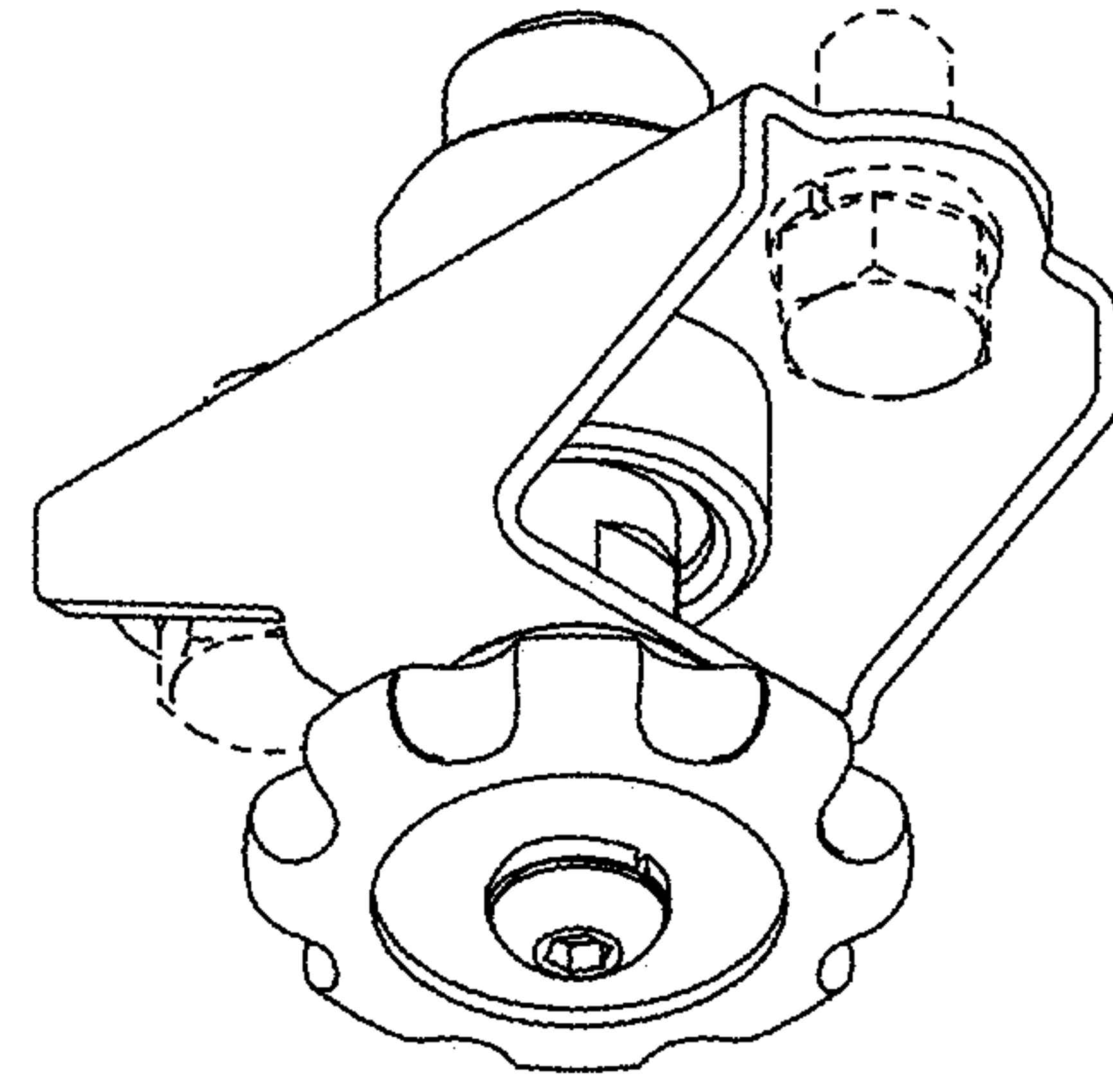


FIG. 10

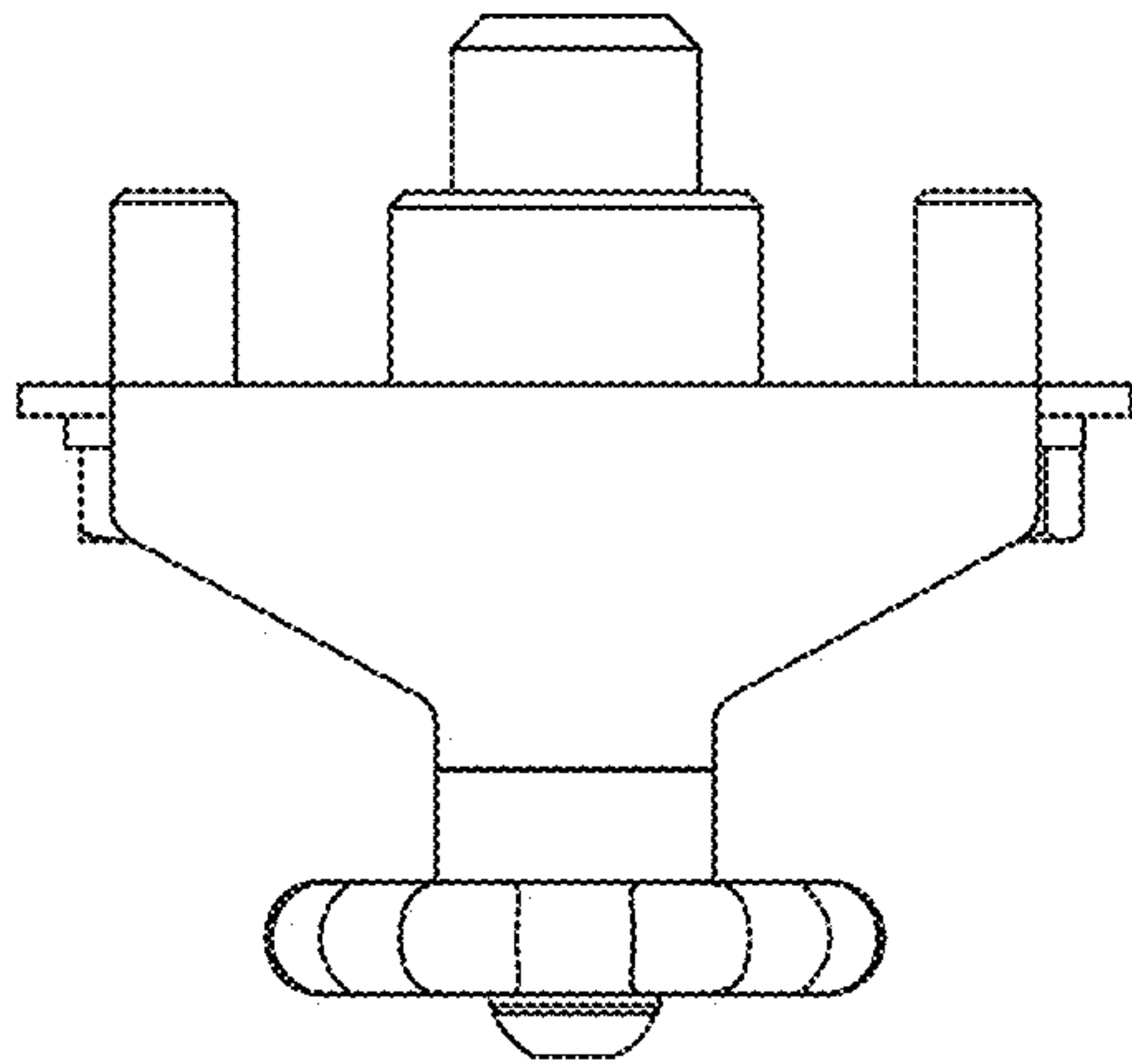


FIG. 11

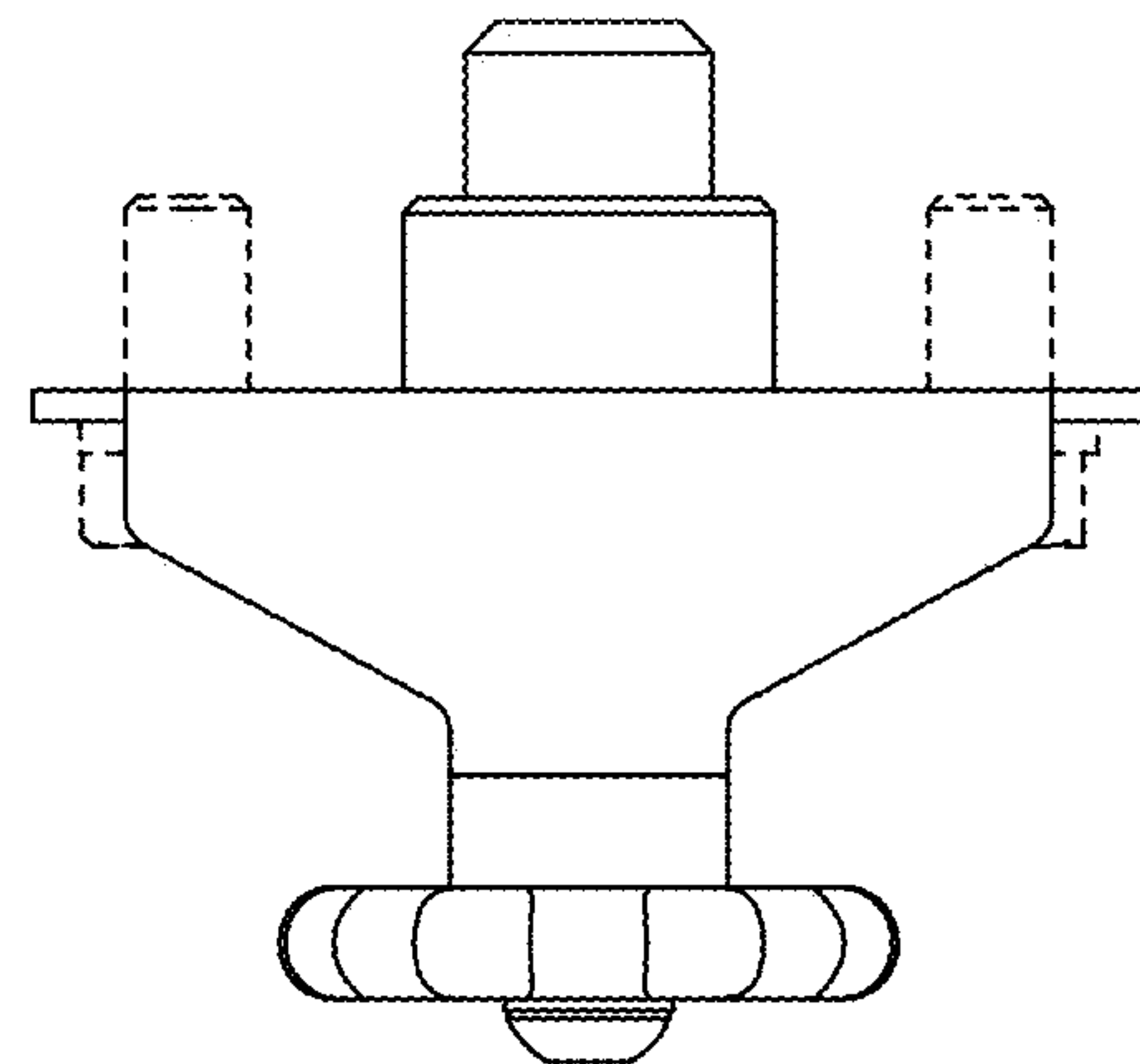


FIG. 12

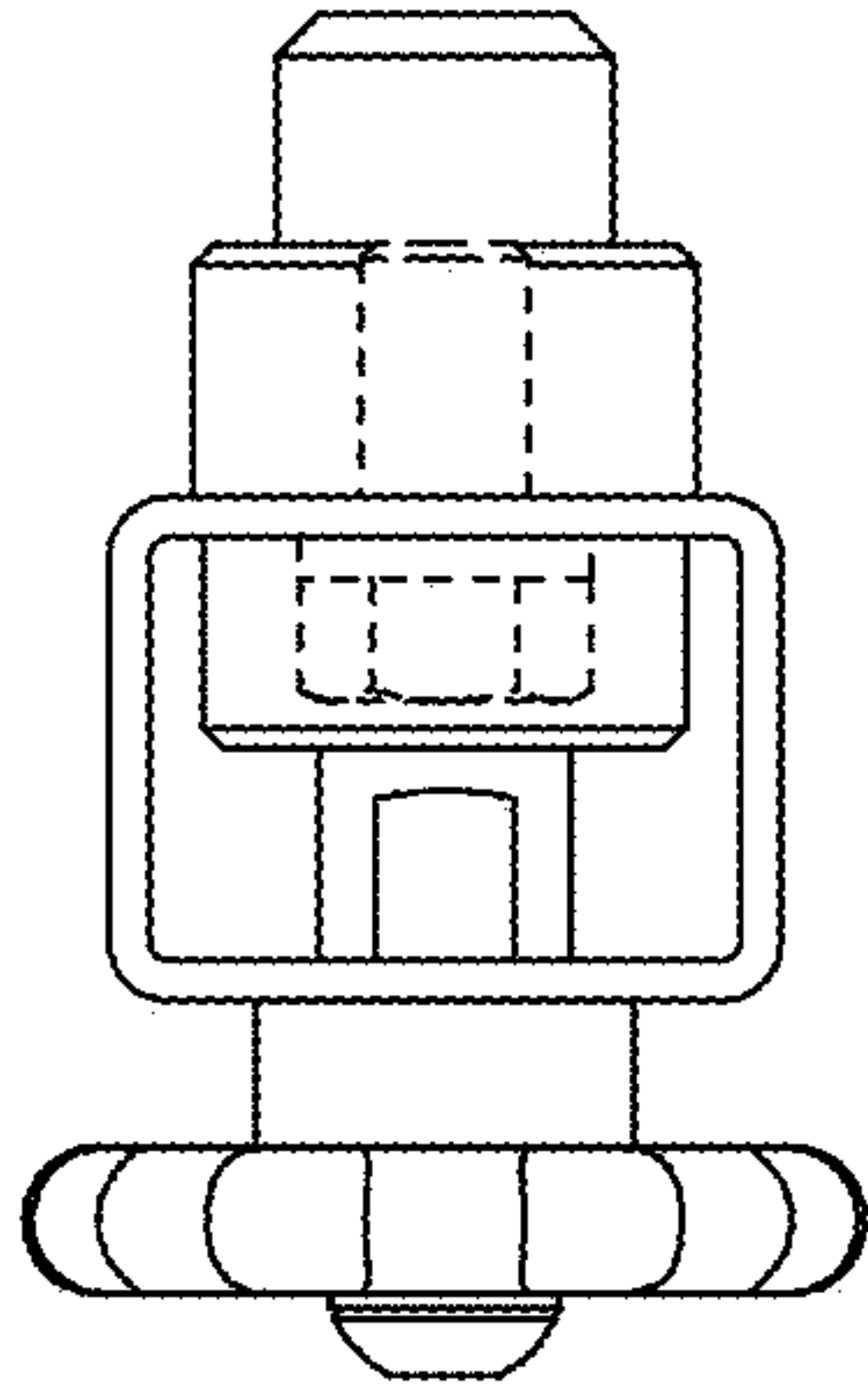


FIG. 13

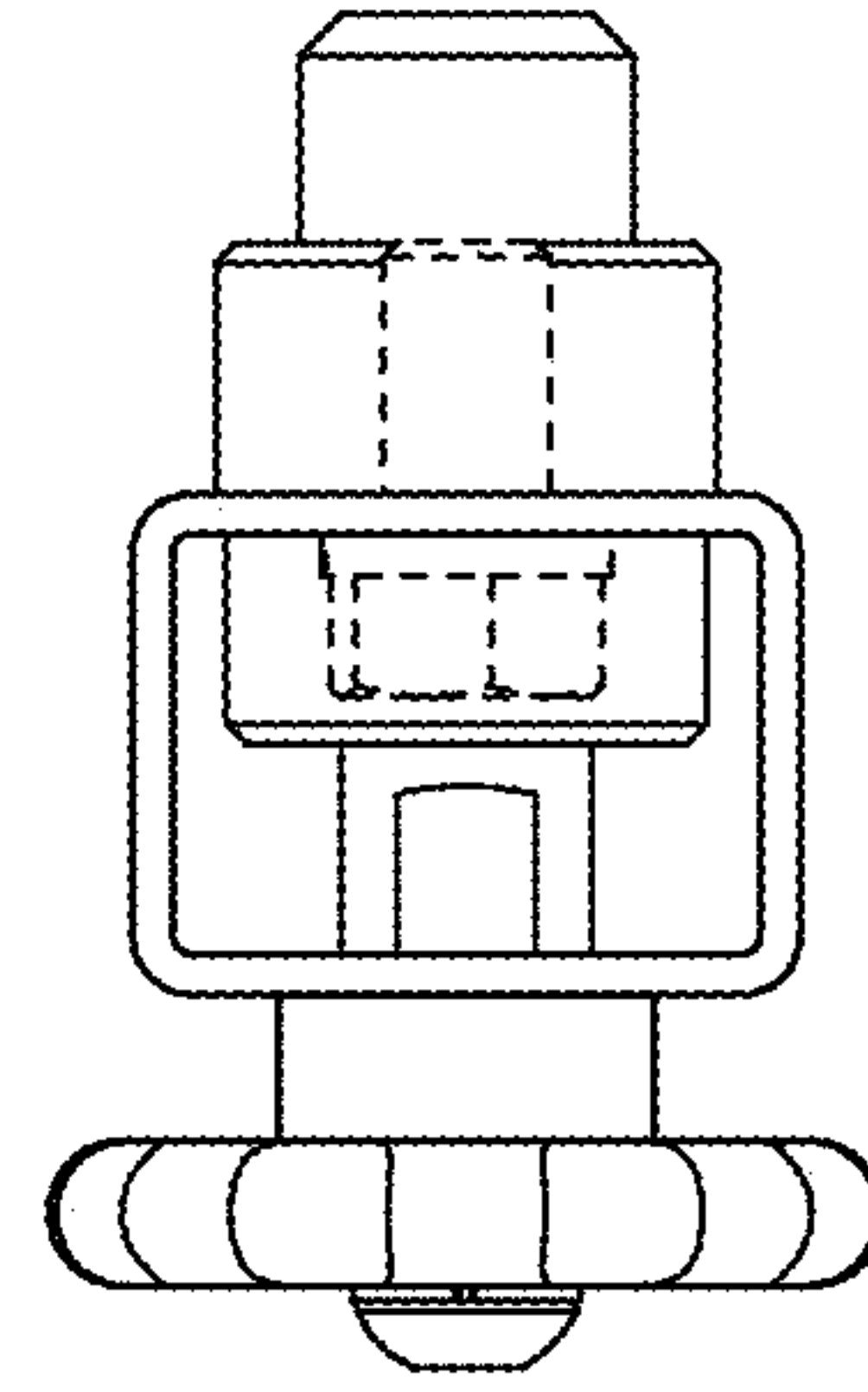


FIG. 14

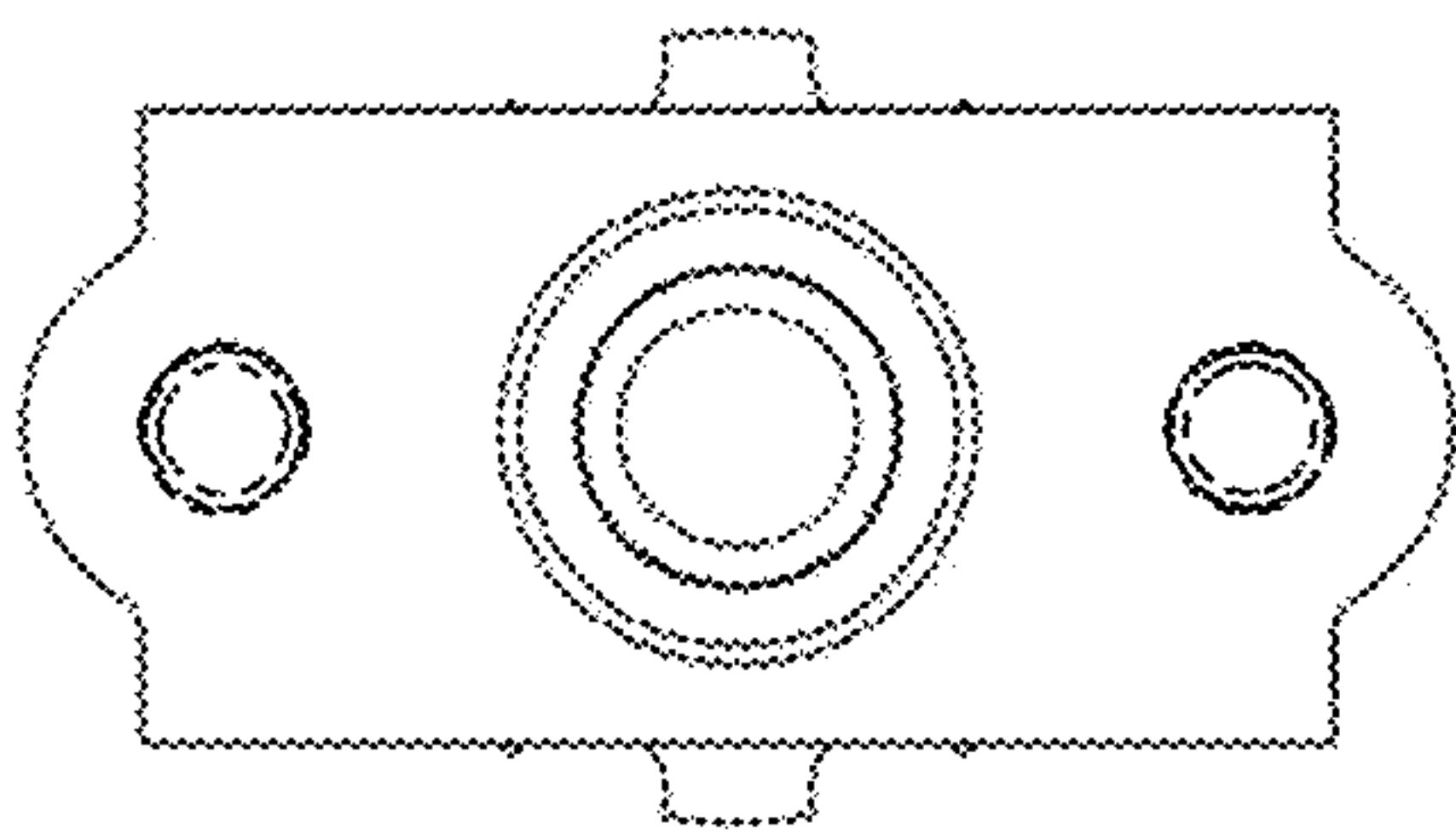


FIG. 15

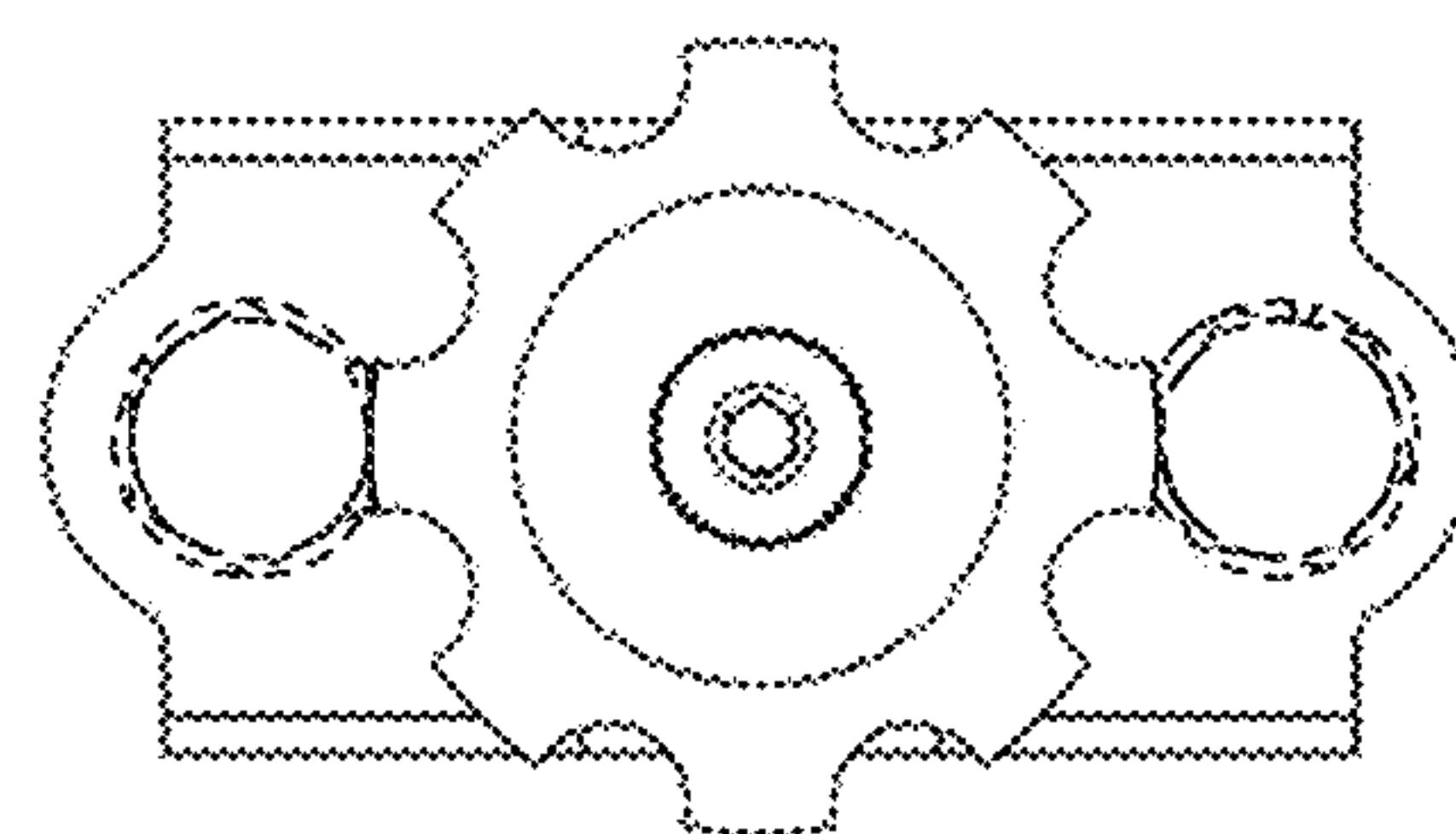


FIG. 16