



US00D961371S

(12) **United States Design Patent**  
**Ford et al.**

(10) **Patent No.:** **US D961,371 S**  
(45) **Date of Patent:** **\*\* Aug. 23, 2022**

(54) **ROD SUPPORT ARM**

(71) Applicant: **House of Atlas, LLC**, Evanston, IL (US)

(72) Inventors: **Alan Arthur Ford**, Sturgis, MI (US);  
**Jason Moss**, Libertyville, IL (US);  
**Young Min Bae**, Evanston, IL (US)

(73) Assignee: **House of Atlas, LLC**, Evanston, IL (US)

(\*\*) Term: **15 Years**

(21) Appl. No.: **29/778,758**

(22) Filed: **Apr. 14, 2021**

**Related U.S. Application Data**

(63) Continuation-in-part of application No. 16/871,859, filed on May 11, 2020.

(51) **LOC (13) Cl.** ..... **08-05**

(52) **U.S. Cl.**  
USPC ..... **D8/380**

(58) **Field of Classification Search**  
USPC ..... 248/201, 261, 262, 263, 264; D8/349, D8/354, 363, 366, 371, 373, 380, 381, D8/382, 394, 395; D6/546-550, 575-581  
CPC ..... A47H 1/10; A47H 1/102; A47H 1/104  
See application file for complete search history.

(56) **References Cited**

**U.S. PATENT DOCUMENTS**

241,991 A	5/1881	Jones
331,850 A	12/1885	Umstadter
568,048 A	9/1896	Starbuck
639,439 A	12/1899	Rush
690,437 A	1/1902	Jolliffe
762,594 A	6/1904	Michaels
819,362 A	5/1906	Miller
832,061 A	10/1906	Hooper

881,672 A	3/1908	Ebenhoch
887,647 A	5/1908	Johnston
895,665 A	8/1908	McMichael
904,920 A	11/1908	Bantly
919,988 A	4/1909	Witzal
925,829 A	6/1909	Ramminger
934,113 A	9/1909	Weaser

(Continued)

**OTHER PUBLICATIONS**

Design U.S. Appl. No. 29/778,757, filed Apr. 14, 2021, "Fork Mount", 27 pages.

*Primary Examiner* — Keli L Hill

*Assistant Examiner* — Harold E Blackwell, II

(74) *Attorney, Agent, or Firm* — Fitch, Even, Tabin & Flannery LLP

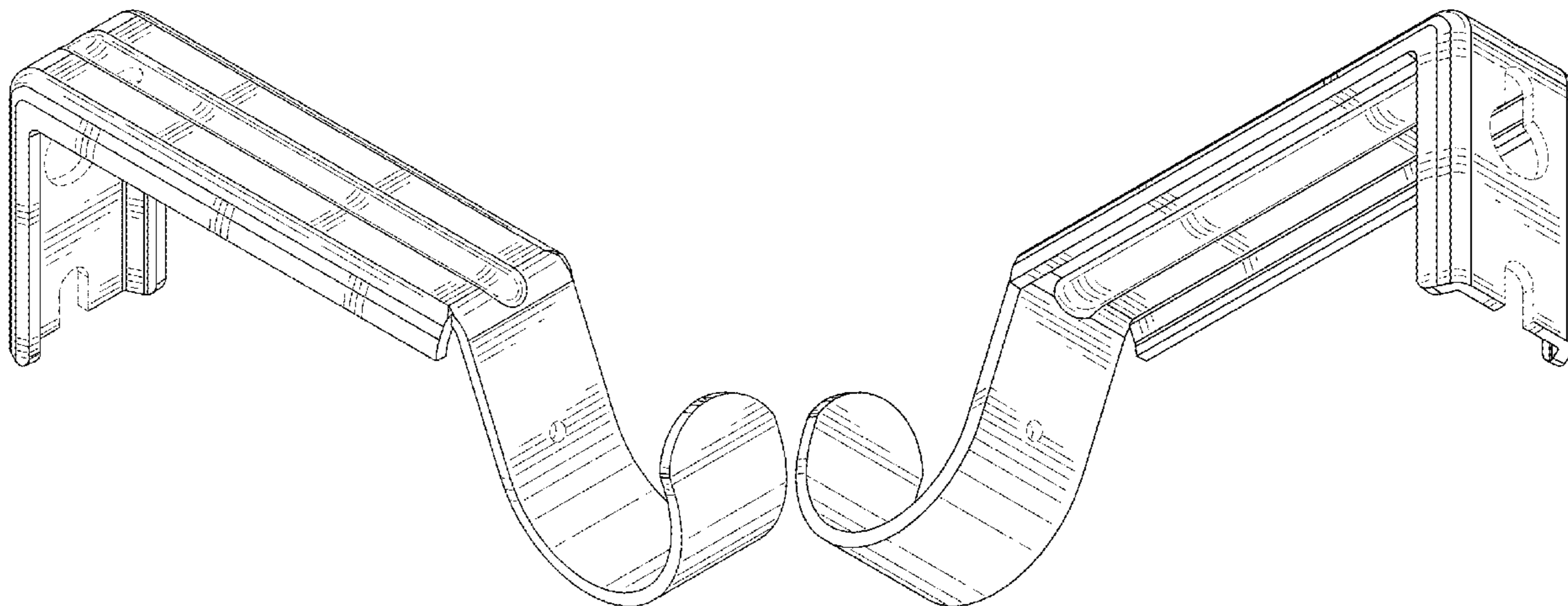
(57) **CLAIM**

We claim the ornamental design for the rod support arm, as shown and described.

**DESCRIPTION**

FIG. 1 is a top perspective view of a rod support arm in accordance with of our new design;  
FIG. 2 is a front elevation view of the rod support arm of FIG. 1;  
FIG. 3 is a rear elevation view of the rod support arm of FIG. 1;  
FIG. 4 is a left-side elevation view of the rod support arm of FIG. 1, the right-side elevation view being a mirror image thereof;  
FIG. 5 is a top plan view of the rod support arm of FIG. 1;  
FIG. 6 is a bottom plan view of the rod support arm of FIG. 1; and,  
FIG. 7 is a bottom perspective view of the rod support arm of FIG. 1.  
The broken lines in the drawings illustrate portions of a rod support arm which form no part of the claimed design.

**1 Claim, 6 Drawing Sheets**



# US D961,371 S

(56)

## References Cited

### U.S. PATENT DOCUMENTS

<p>1,035,626 A</p> <p>1,080,370 A</p> <p>1,115,997 A</p> <p>1,147,355 A *</p> <p>1,187,366 A</p> <p>1,250,846 A</p> <p>1,265,044 A</p> <p>1,275,475 A</p> <p>1,332,247 A</p> <p>1,333,163 A</p> <p>1,346,749 A</p> <p>1,384,246 A</p> <p>1,445,372 A</p> <p>1,451,764 A</p> <p>1,492,210 A</p> <p>1,559,081 A</p> <p>2,240,225 A</p> <p>2,386,854 A</p> <p>2,789,783 A</p> <p>3,095,033 A</p> <p>3,199,823 A *</p> <p>3,219,302 A</p> <p>3,289,992 A</p> <p>3,312,442 A</p> <p>3,614,045 A *</p> <p>3,704,851 A</p> <p>3,778,955 A</p> <p>4,039,136 A</p> <p>4,140,294 A</p> <p>D265,285 S *</p> <p>4,509,713 A</p> <p>D290,224 S *</p> <p>D290,931 S *</p> <p>4,708,311 A</p> <p>D315,862 S *</p> <p>5,028,030 A</p> <p>5,054,728 A</p> <p>D329,372 S *</p> <p>5,582,303 A *</p> <p>D389,035 S *</p> <p>5,996,791 A</p> <p>6,371,427 B1</p> <p>D459,978 S *</p>	<p>8/1912 Moore</p> <p>12/1913 Scheiding</p> <p>11/1914 Withrow</p> <p>7/1915 Zevin ..... A47H 1/13 248/257</p> <p>6/1916 Mozroll</p> <p>12/1917 Gessner</p> <p>5/1918 Bruederly</p> <p>8/1918 Rorick</p> <p>3/1920 Wade</p> <p>3/1920 Eddy</p> <p>7/1920 Henson</p> <p>7/1921 Durnell</p> <p>2/1923 Wagner</p> <p>4/1923 Dick</p> <p>4/1924 Kelly</p> <p>10/1925 Fischer</p> <p>4/1941 Place</p> <p>10/1945 Hilton</p> <p>4/1957 Jones</p> <p>6/1963 Leonard</p> <p>8/1965 Stall ..... A47H 1/122 248/265</p> <p>11/1965 Smith</p> <p>12/1966 Brooks</p> <p>4/1967 Moeller</p> <p>10/1971 Cegielski, Jr. .... A47H 1/12 248/262</p> <p>12/1972 Cormier</p> <p>12/1973 Close</p> <p>8/1977 DeHart</p> <p>2/1979 Zwarts</p> <p>7/1982 Englert, Jr. .... D8/354</p> <p>4/1985 Hogg</p> <p>6/1987 Skinner ..... 248/48.2</p> <p>7/1987 Powell ..... D8/371</p> <p>11/1987 Clausen</p> <p>4/1991 Specker, Jr. .... D8/380</p> <p>7/1991 Lewis</p> <p>10/1991 Nigro, Jr.</p> <p>9/1992 Wilms ..... D8/380</p> <p>12/1996 Sloan ..... A47G 25/0692 211/105.1</p> <p>1/1998 Smiley ..... D8/369</p> <p>12/1999 Bibby</p> <p>4/2002 Johnson</p> <p>7/2002 Hollinger ..... D6/556</p>	<p>6,481,584 B1</p> <p>6,695,276 B2</p> <p>7,448,507 B1</p> <p>D605,931 S *</p> <p>8,056,873 B1</p> <p>8,356,782 B2</p> <p>D678,754 S *</p> <p>8,418,975 B1 *</p> <p>D707,535 S *</p> <p>8,844,886 B2</p> <p>8,851,435 B1</p> <p>9,486,913 B2</p> <p>9,532,663 B2</p> <p>9,609,974 B2 *</p> <p>D811,205 S</p> <p>D813,021 S *</p> <p>D813,022 S</p> <p>10,070,748 B2</p> <p>10,092,126 B2</p> <p>D834,925 S</p> <p>D834,926 S</p> <p>D834,927 S</p> <p>D847,613 S</p> <p>10,278,529 B2</p> <p>D856,785 S</p> <p>10,376,086 B1 *</p> <p>D858,259 S</p> <p>D858,260 S</p> <p>D859,963 S</p> <p>10,542,835 B1 *</p> <p>10,648,492 B2</p> <p>D893,284 S</p> <p>11,002,302 B2</p> <p>2003/0071181 A1</p> <p>2004/0159766 A1</p> <p>2005/0218284 A1</p> <p>2012/0001039 A1</p> <p>2015/0265086 A1</p> <p>2016/0215922 A1</p> <p>2018/0014680 A1</p> <p>2018/0064279 A1</p> <p>2018/0098656 A1</p> <p>2018/0306219 A1</p> <p>2019/0063671 A1</p> <p>2019/0099034 A1</p> <p>2019/0282017 A1</p> <p>2020/0200199 A1</p> <p>2021/0345808 A1</p>	<p>11/2002 Cantley</p> <p>2/2004 Skorka</p> <p>11/2008 Abernathy, Jr.</p> <p>12/2009 Piersant ..... D8/381</p> <p>11/2011 Hanley</p> <p>1/2013 Robichaud</p> <p>3/2013 Burr ..... D6/575</p> <p>4/2013 Burr ..... A47H 1/142 248/261</p> <p>6/2014 Burr ..... D8/363</p> <p>9/2014 Mejia</p> <p>10/2014 Bastien</p> <p>11/2016 Thieman</p> <p>1/2017 Nilsson</p> <p>4/2017 Mateer ..... A47H 1/122</p> <p>2/2018 Hanley</p> <p>3/2018 Hanley ..... F16B 2/065 D8/380</p> <p>3/2018 Hanley</p> <p>9/2018 Hanley</p> <p>10/2018 Baines</p> <p>12/2018 Hanley</p> <p>12/2018 Hanley</p> <p>12/2018 Hanley</p> <p>5/2019 Hanley</p> <p>5/2019 Baines</p> <p>8/2019 Hanley</p> <p>8/2019 Mustafa ..... A47H 1/122</p> <p>9/2019 Hanley</p> <p>9/2019 Hanley</p> <p>9/2019 Hanley</p> <p>1/2020 Suozzo ..... A47H 1/142</p> <p>5/2020 Hanley</p> <p>8/2020 Hanley</p> <p>5/2021 Hanley</p> <p>4/2003 Valiulis</p> <p>8/2004 Skorka</p> <p>10/2005 Kurrasch</p> <p>1/2012 McDuff</p> <p>9/2015 Hanley</p> <p>7/2016 McDuff</p> <p>1/2018 Hanley</p> <p>3/2018 Hanley</p> <p>4/2018 Baines</p> <p>10/2018 Hanley</p> <p>2/2019 McDuff</p> <p>4/2019 Hanley</p> <p>9/2019 Hanley</p> <p>6/2020 Hanley</p> <p>11/2021 Berman</p>
--	--	---	--

\* cited by examiner

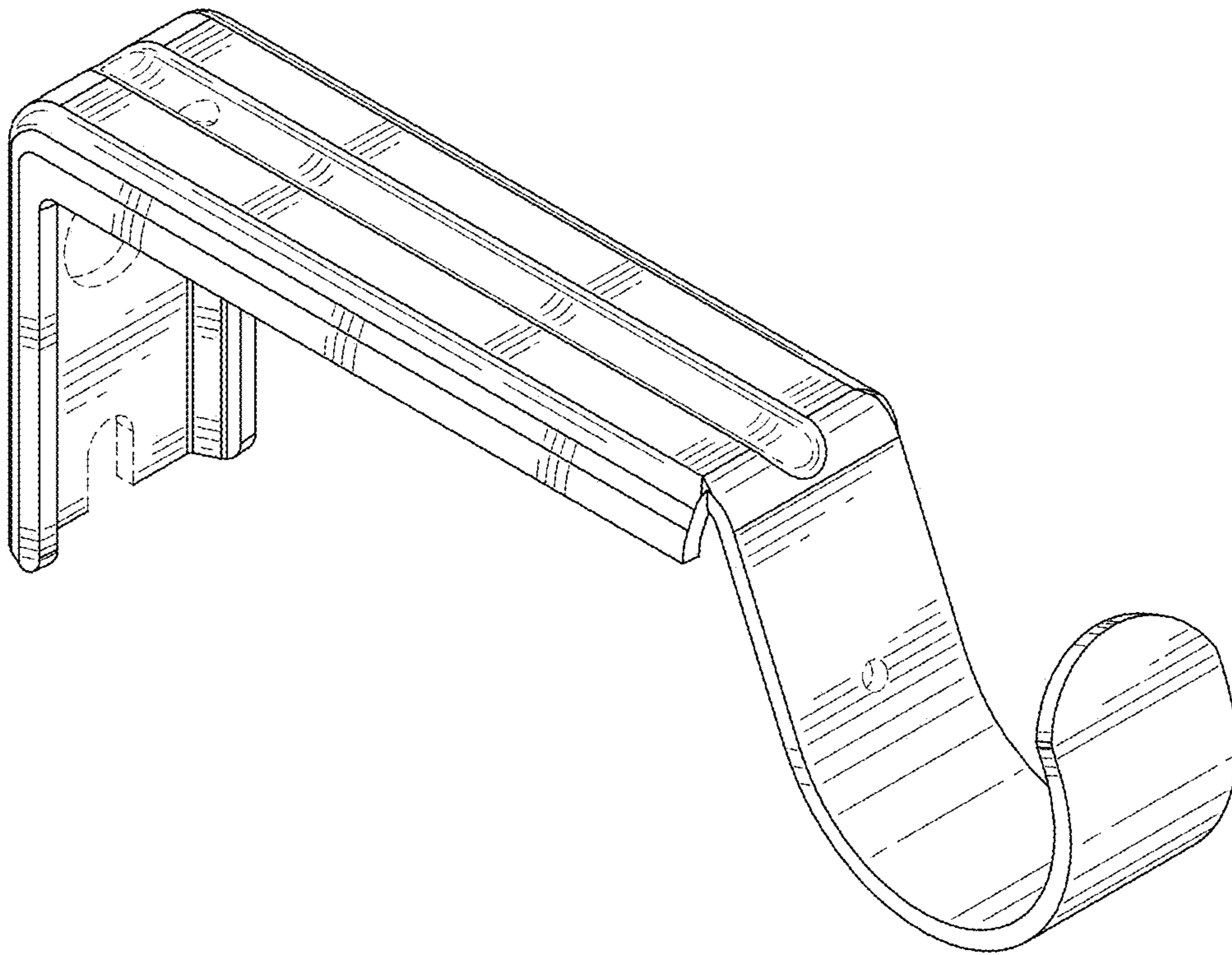


FIG. 1



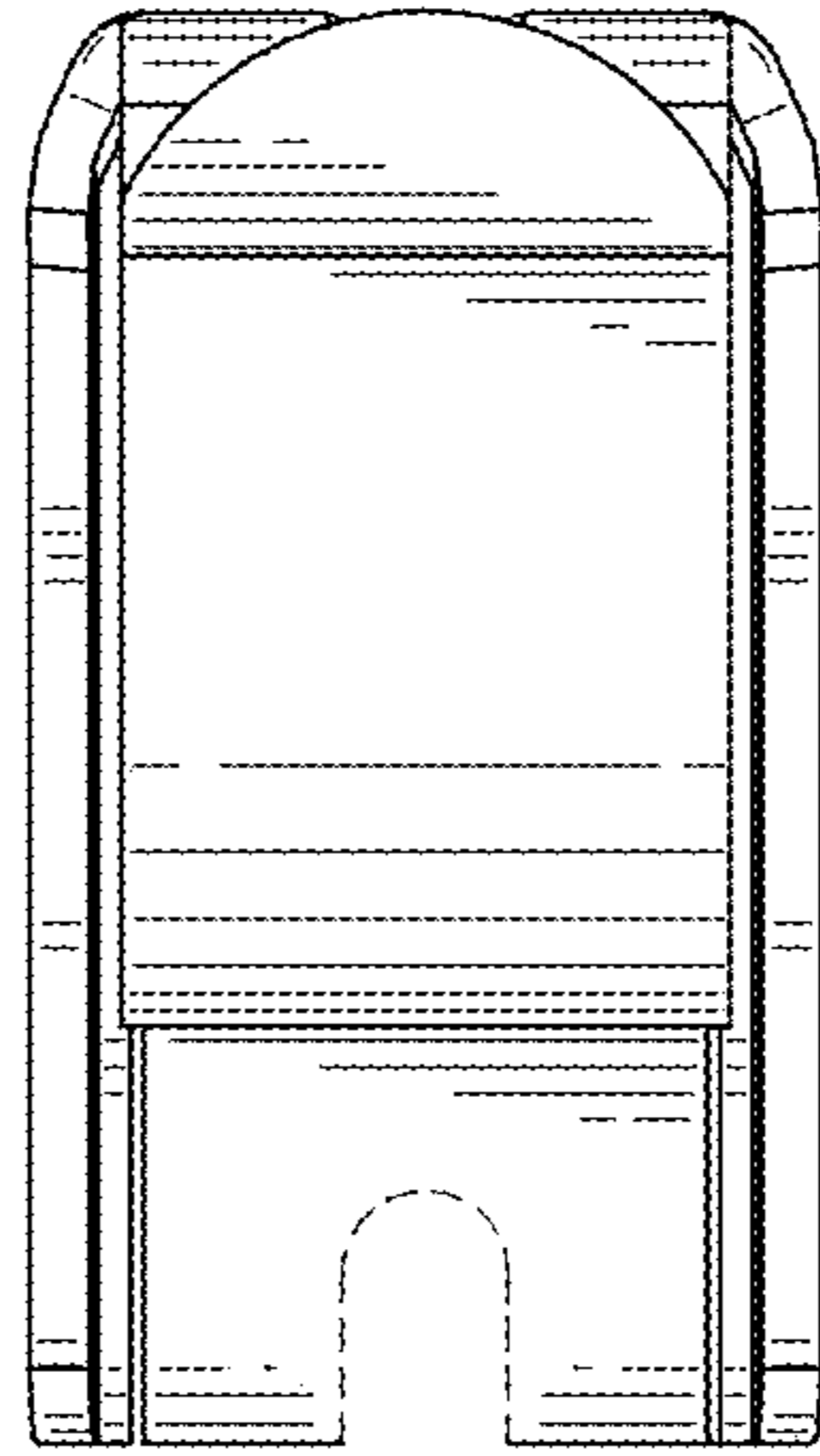


FIG. 2

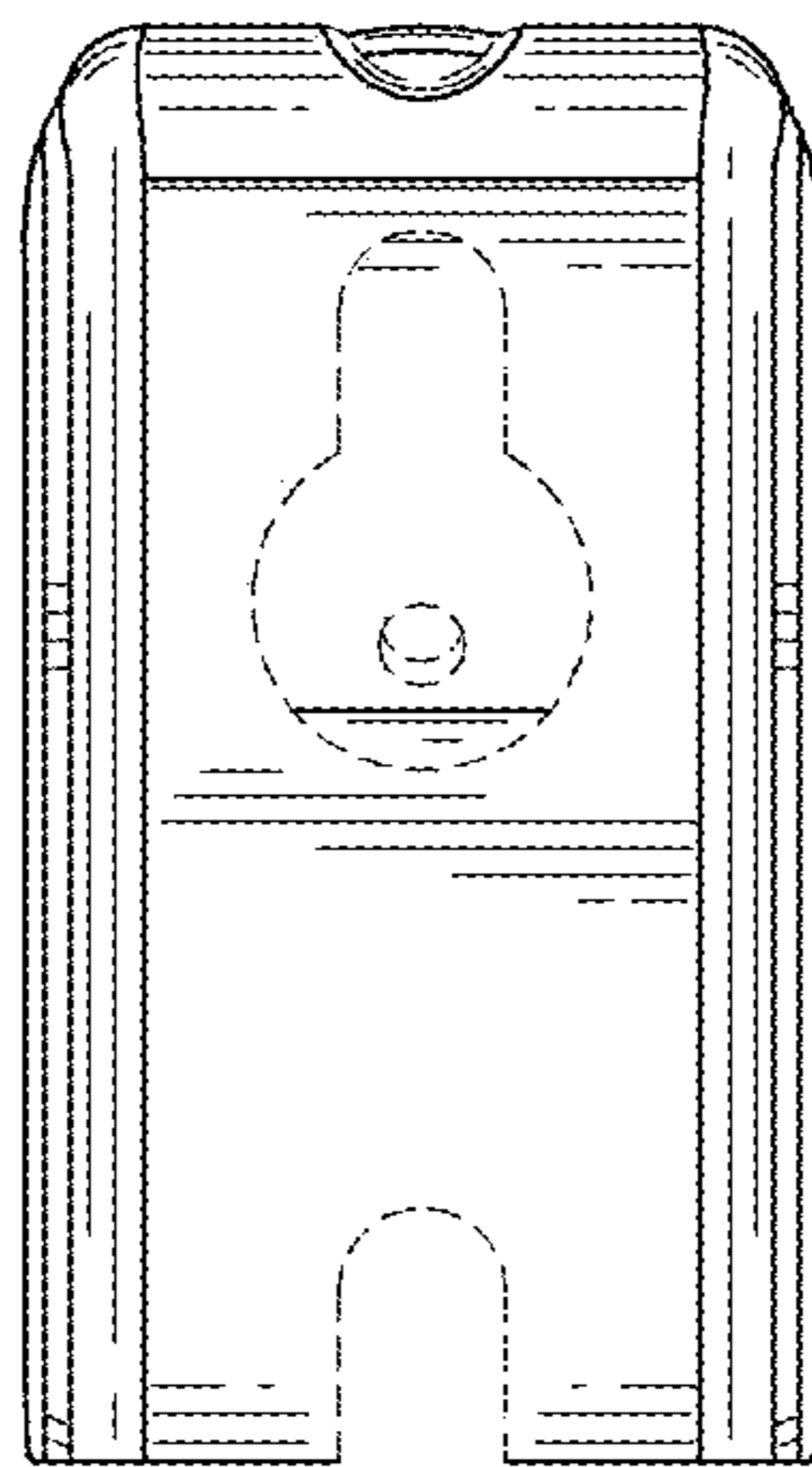


FIG. 3

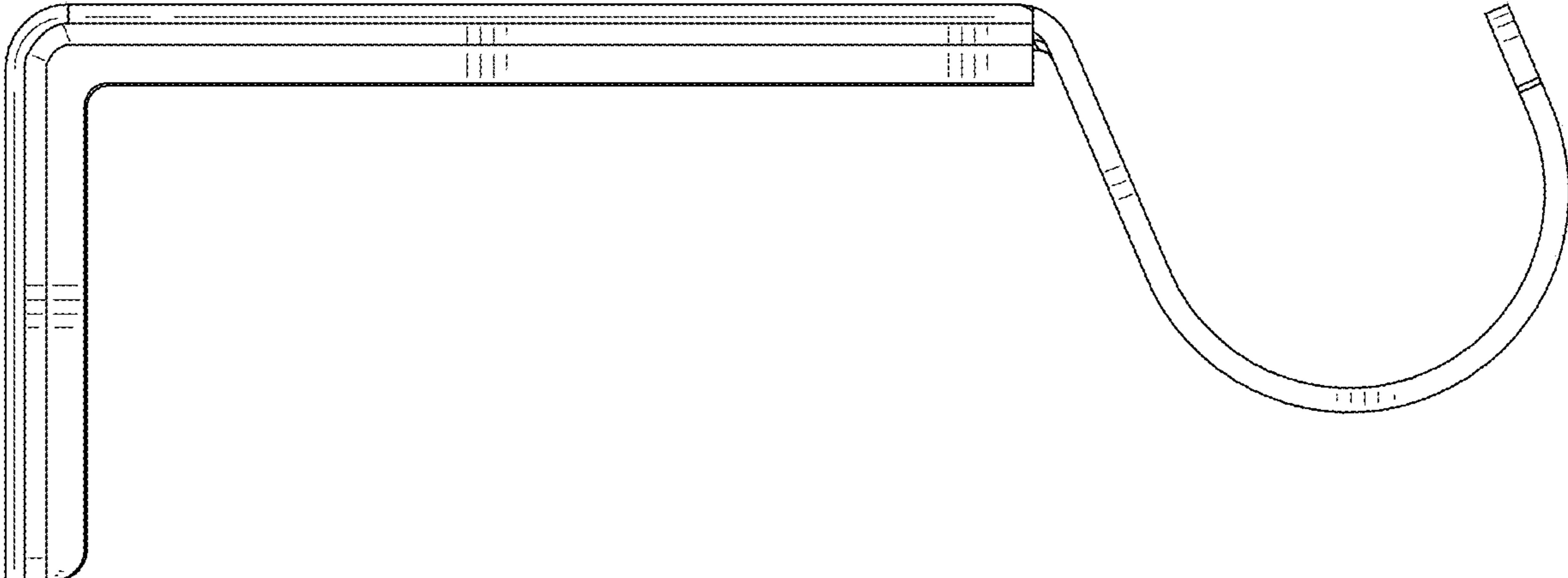


FIG. 4

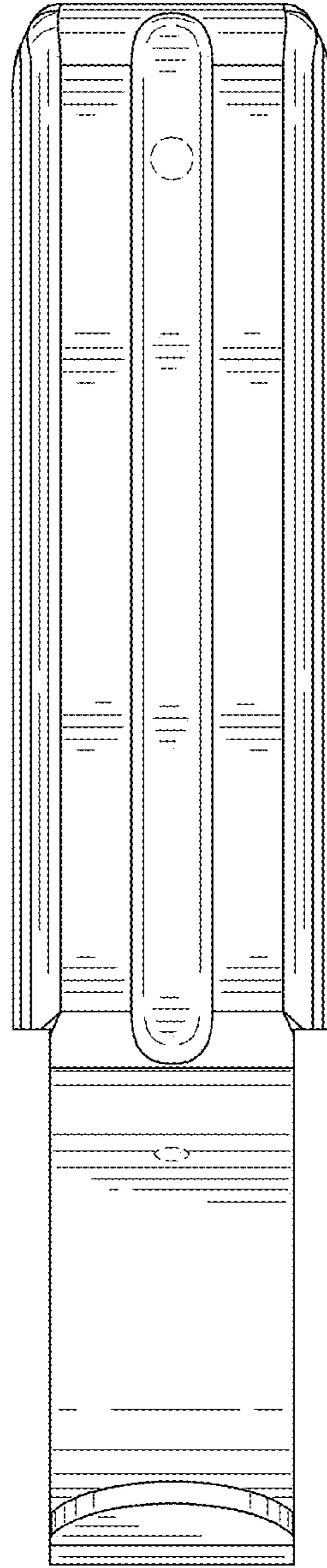


FIG. 5

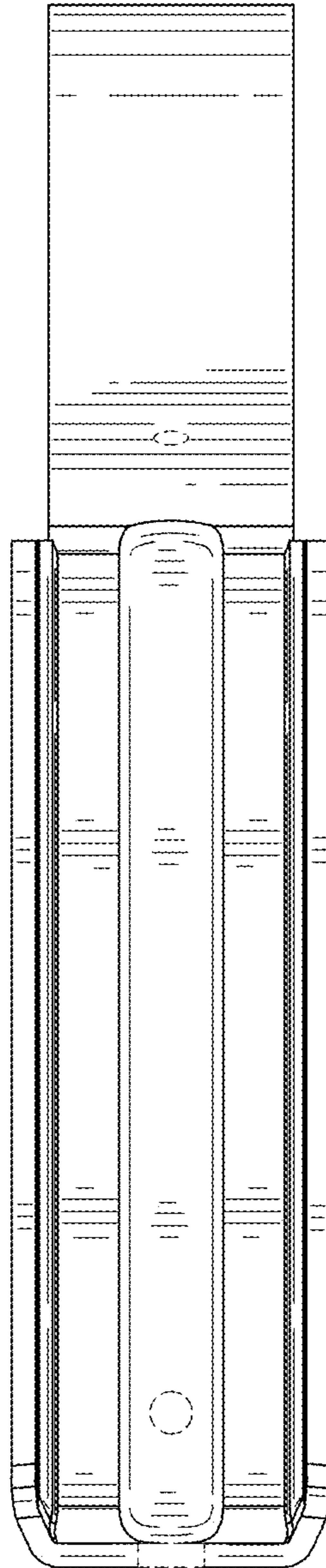


FIG. 6

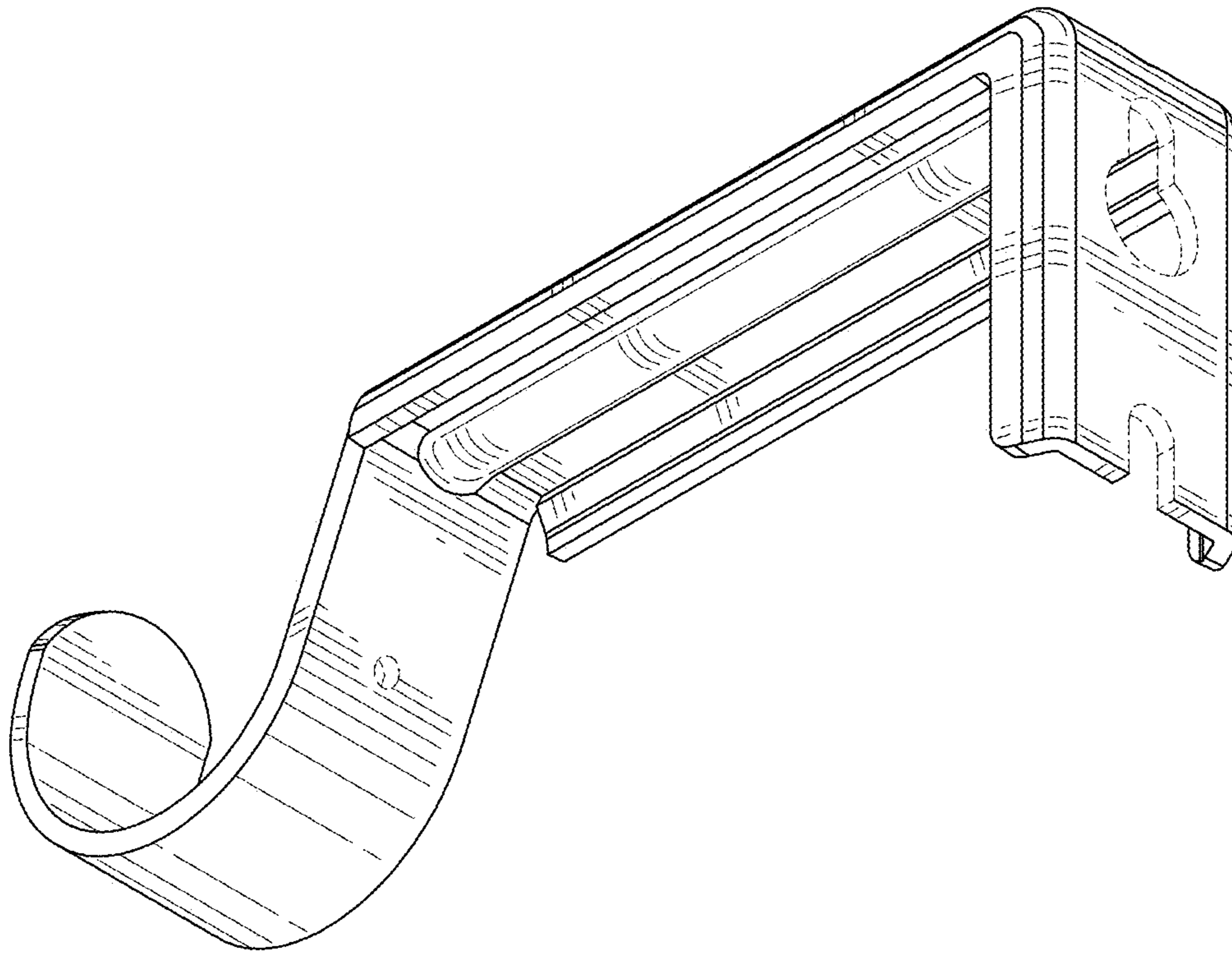


FIG. 7