



US00D961370S

(12) **United States Design Patent** (10) **Patent No.:** **US D961,370 S**
Brusasco et al. (45) **Date of Patent:** **** Aug. 23, 2022**

(54) **LINEAR GUIDE**
(71) Applicant: **RADIA S.r.l**, Turin (IT)
(72) Inventors: **Marco Brusasco**, Turin (IT);
Francesco Patitucci, Turin (IT)
(73) Assignee: **RADIA S.R.L**, Turin (IT)
(**) Term: **15 Years**
(21) Appl. No.: **29/674,774**
(22) Filed: **Dec. 26, 2018**

(30) **Foreign Application Priority Data**
Jun. 25, 2018 (EM) 005322997
(51) **LOC (13) Cl.** **08-11**
(52) **U.S. Cl.**
USPC **D8/377**
(58) **Field of Classification Search**
USPC D15/133, 143; D8/377, 349, 354, 363,
D8/380, 382; D6/512, 513; 312/333,
312/334.13, 334.41, 334.44, 334.46,
312/334.8, 410
CPC ... A47B 88/0466; A47B 88/047; A47B 88/06;
A47B 88/08; A47B 88/10; A47B 88/12;
A47B 88/14; A47B 2088/0474; A47B
2210/0094
See application file for complete search history.

(56) **References Cited**
U.S. PATENT DOCUMENTS
D310,376 S * 9/1990 Johnsen D15/140
D373,363 S * 9/1996 Miyachi D15/143
D430,179 S * 8/2000 Asai D15/143
6,520,680 B2 * 2/2003 Kato F16C 29/064
384/45
D482,051 S * 11/2003 Hanne D15/140
D502,387 S * 3/2005 Hyakkoku D8/354

7,153,027 B2 * 12/2006 Yamaguchi F16C 29/005
384/15
D535,551 S * 1/2007 Milligan D8/377
D542,816 S * 5/2007 Yajima D15/143
(Continued)

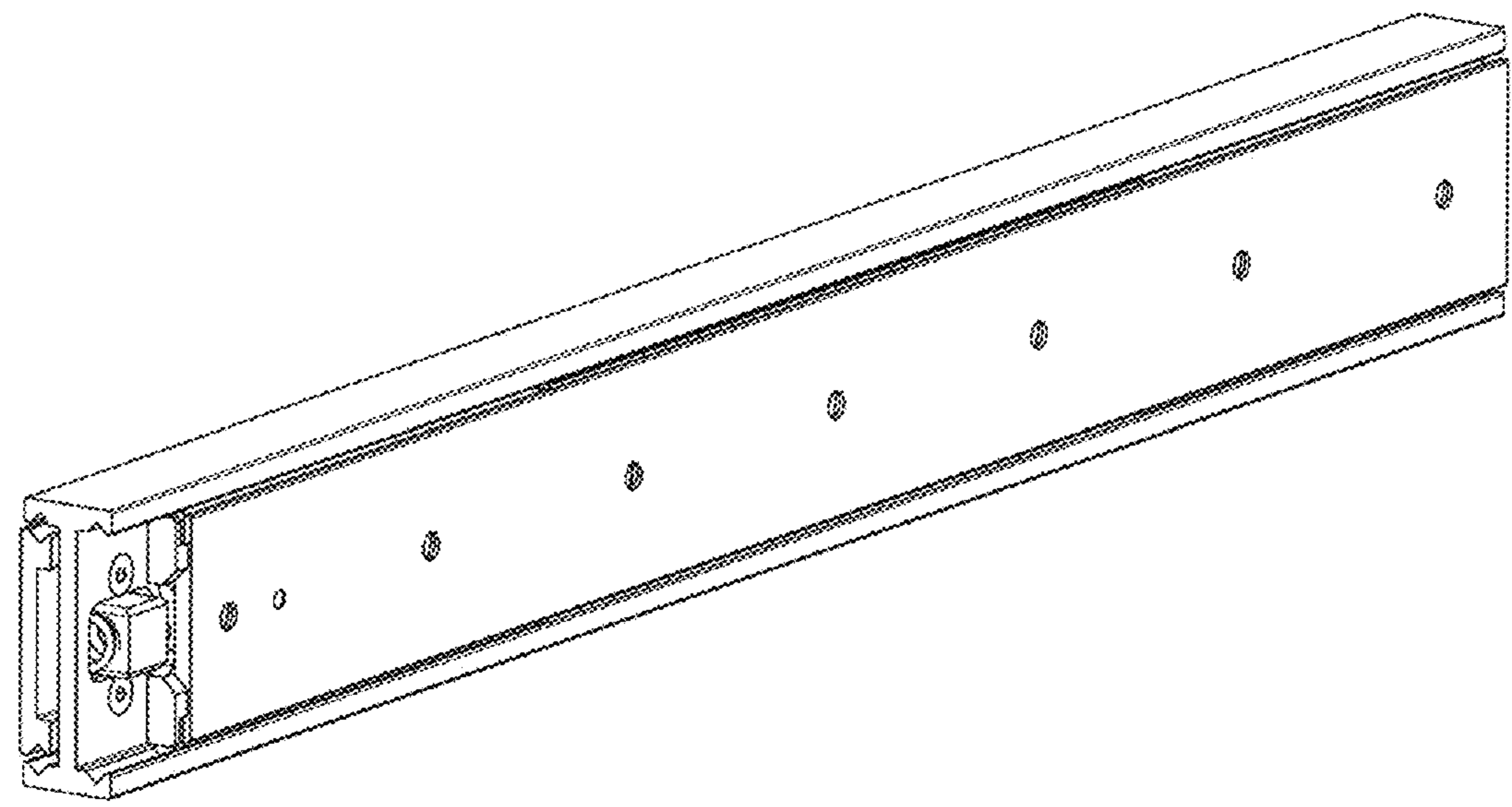
Primary Examiner — Manpreet S Matharu
Assistant Examiner — Yolanda Robinson
(74) *Attorney, Agent, or Firm* — The Belles Group, P.C.

(57) **CLAIM**
The ornamental design for a linear guide, as shown and described.

DESCRIPTION

FIG. 1 is a top-front-right perspective view of a linear guide according to a first embodiment of the present invention in a first configuration;
FIG. 2 is a top-front-right perspective view of the linear guide of FIG. 1 in a second configuration;
FIG. 3 is a right-side view of the linear guide of FIG. 1;
FIG. 4 is a left-side view of the linear guide of FIG. 1;
FIG. 5 is a top view of the linear guide of FIG. 1;
FIG. 6 is a bottom view of the linear guide of FIG. 1;
FIG. 7 is an enlarged front view of the linear guide of FIG. 1;
FIG. 8 is an enlarged rear view of the linear guide of FIG. 1;
FIG. 9 is a top-front-right perspective view of a linear guide according to a second embodiment of the present invention in a first configuration;
FIG. 10 is a top-front-right perspective view of the linear guide of FIG. 9 in a second configuration;
FIG. 11 is a right-side view of the linear guide of FIG. 9;
FIG. 12 is a left-side view of the linear guide of FIG. 9;
FIG. 13 is a top view of the linear guide of FIG. 9;
FIG. 14 is a bottom view of the linear guide of FIG. 9;
FIG. 15 is an enlarged front view of the linear guide of FIG. 9; and,
FIG. 16 is an enlarged rear view of the linear guide of FIG. 9.

1 Claim, 16 Drawing Sheets



(56)

References Cited

U.S. PATENT DOCUMENTS

D554,164 S * 10/2007 Naruse D15/143
 D562,366 S * 2/2008 Navarro D15/143
 D594,484 S * 6/2009 Leasure D15/133
 D635,165 S * 3/2011 Yajima D15/143
 D635,789 S * 4/2011 Rechberg D6/377
 D640,122 S * 6/2011 Stearns D8/355
 D640,123 S * 6/2011 Stearns D8/355
 8,042,416 B2 * 10/2011 Pfister B23Q 5/40
 74/89.33
 D656,169 S * 3/2012 Fukano D15/143
 D664,169 S * 7/2012 Shirai D15/143
 8,277,122 B2 * 10/2012 Rudy F16C 29/005
 384/8
 8,402,853 B2 * 3/2013 Pfister F16C 29/12
 74/89.32
 8,632,248 B2 * 1/2014 Matsumoto F16C 29/086
 384/15
 8,696,204 B2 * 4/2014 Ooga F16C 33/76
 384/15
 8,764,293 B2 * 7/2014 Nakagawa F16C 29/086
 384/15
 8,894,283 B2 * 11/2014 Nishiyama F16C 29/005
 384/15

9,051,966 B2 * 6/2015 Matsumoto F16C 29/086
 384/15
 9,068,601 B2 * 6/2015 Mizumura F16C 29/0607
 D748,704 S * 2/2016 Jenny D15/143
 D748,705 S * 2/2016 Sekido D15/143
 D757,141 S * 5/2016 Rechberg D15/143
 2015/0048730 A1 * 2/2015 Lowe A47B 88/493
 312/319.1
 2015/0189989 A1 * 7/2015 Chen H05K 7/1489
 248/201
 2015/0201754 A1 * 7/2015 Chen A47B 47/0058
 248/219.3
 2016/0029791 A1 * 2/2016 Chen H05K 7/183
 312/334.44
 2016/0073782 A1 * 3/2016 Kler Da Silva A47B 88/49
 312/334.44
 2016/0128474 A1 * 5/2016 Chen A47B 88/969
 312/333
 2016/0150880 A1 * 6/2016 Chen A47B 88/467
 312/319.1
 2016/0174713 A1 * 6/2016 Dubina A47B 88/443
 312/334.8
 2016/0194904 A1 * 7/2016 Chen E05B 65/462
 312/333
 2016/0198854 A1 * 7/2016 Barnes G02B 6/4457
 312/334.8

* cited by examiner

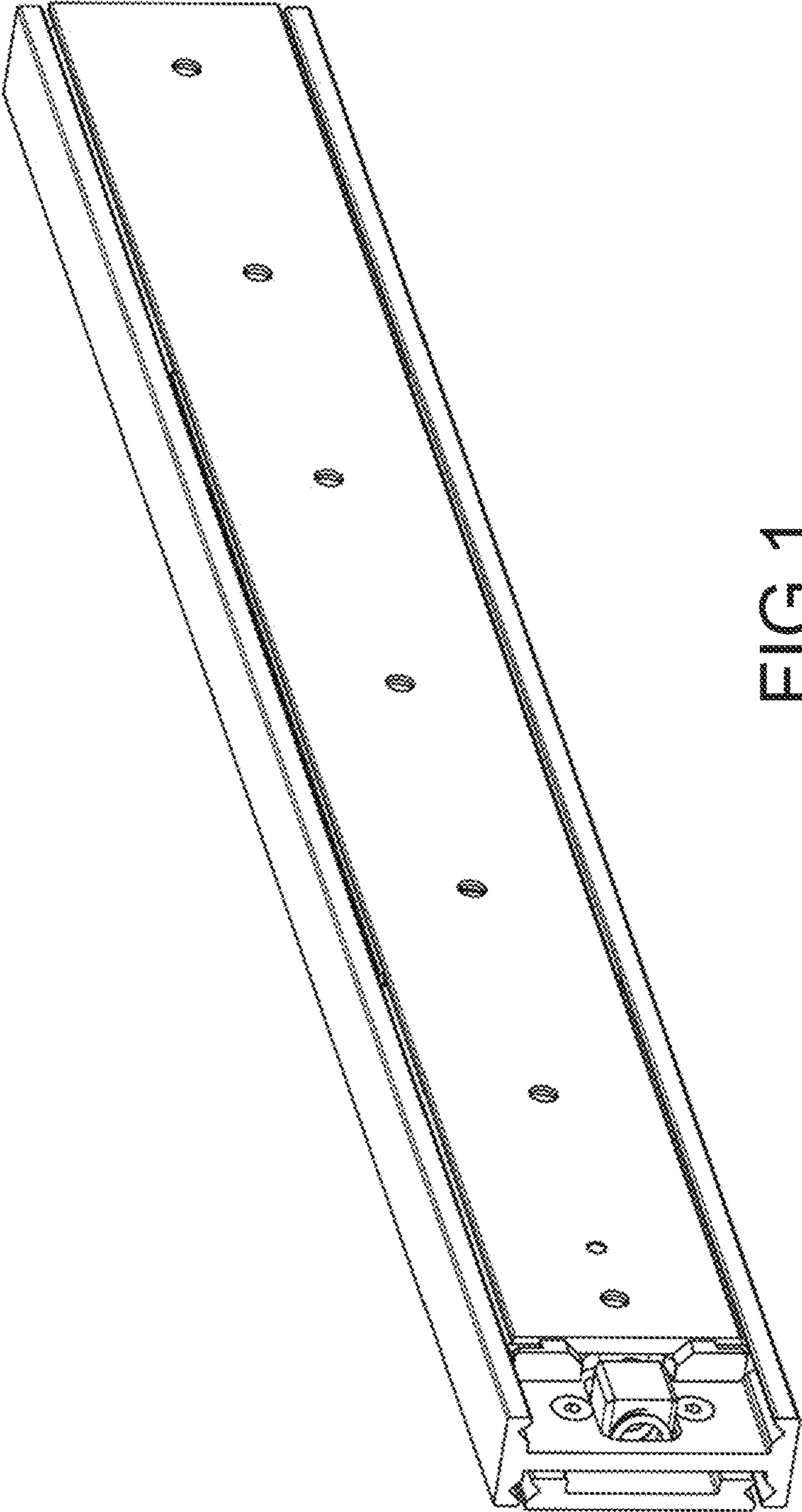


FIG.1

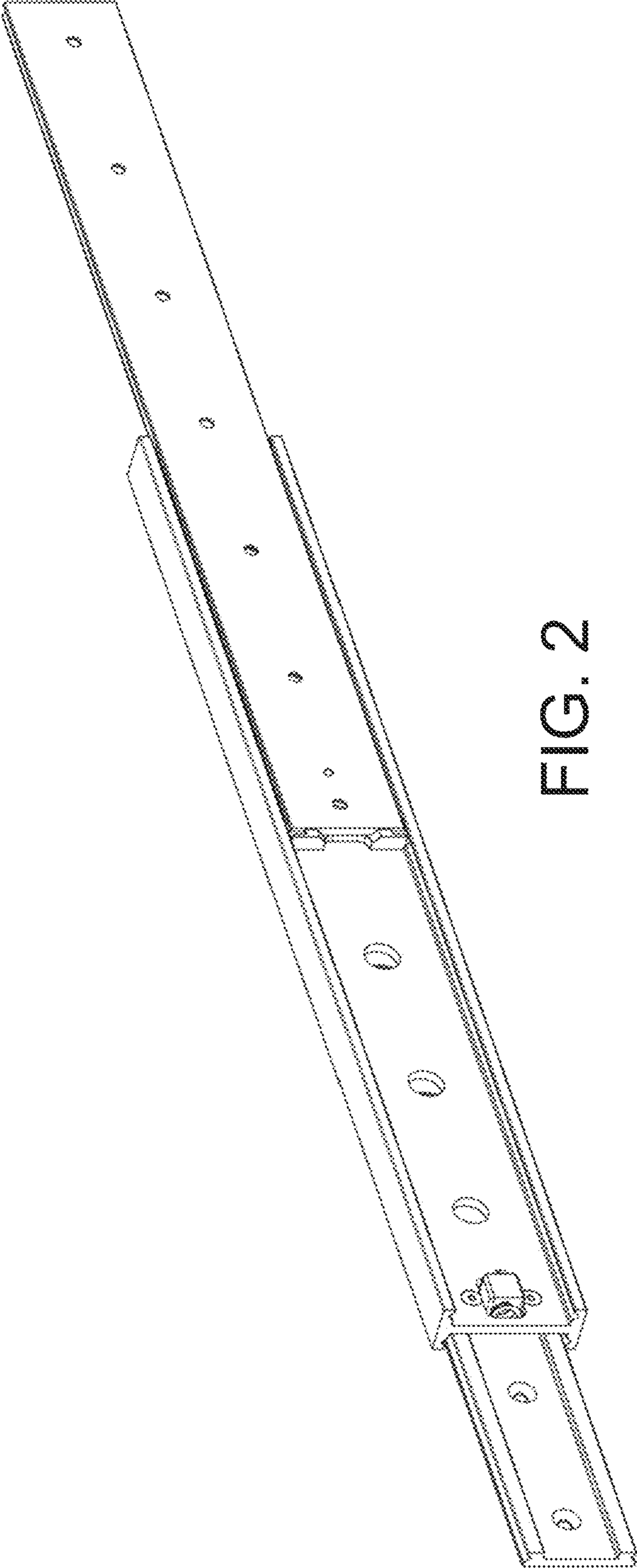


FIG. 2

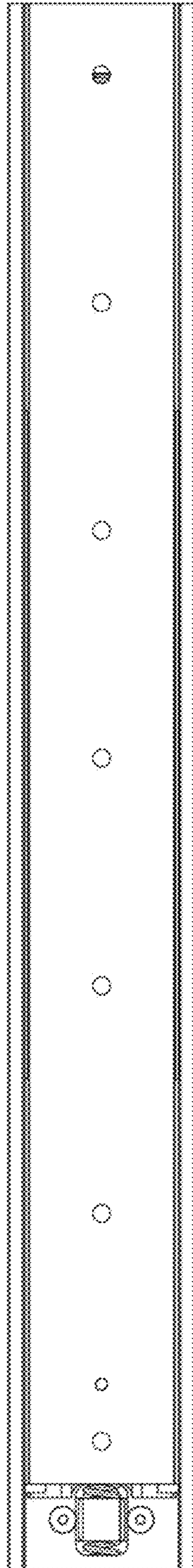


FIG. 3

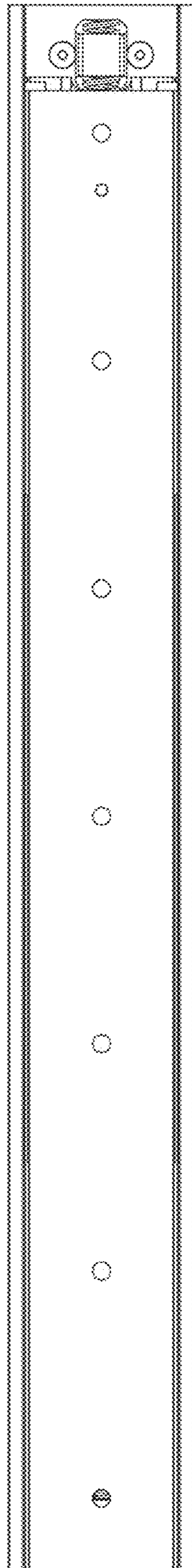


FIG. 4

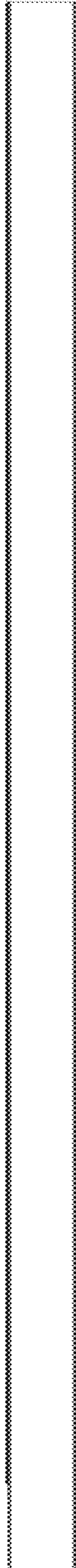


FIG. 5

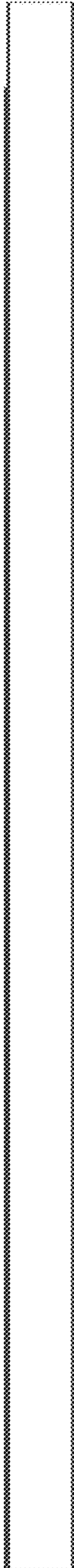


FIG. 6

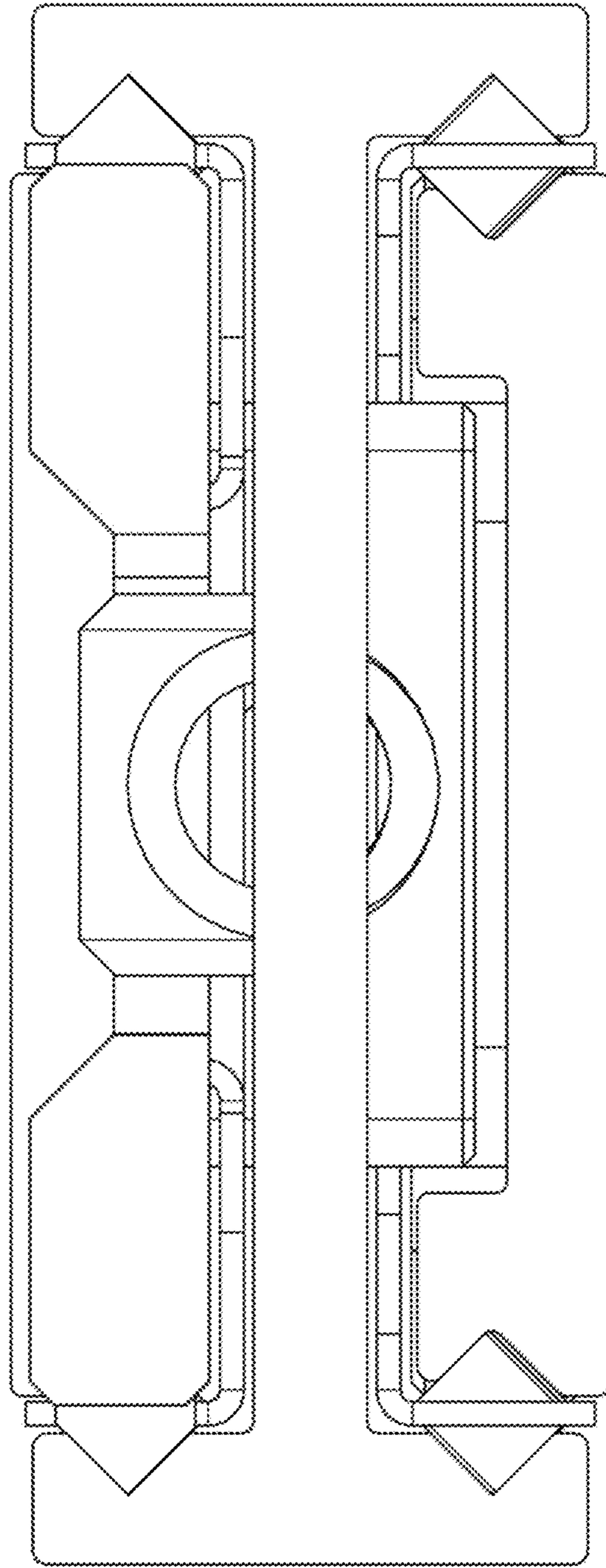


FIG. 7

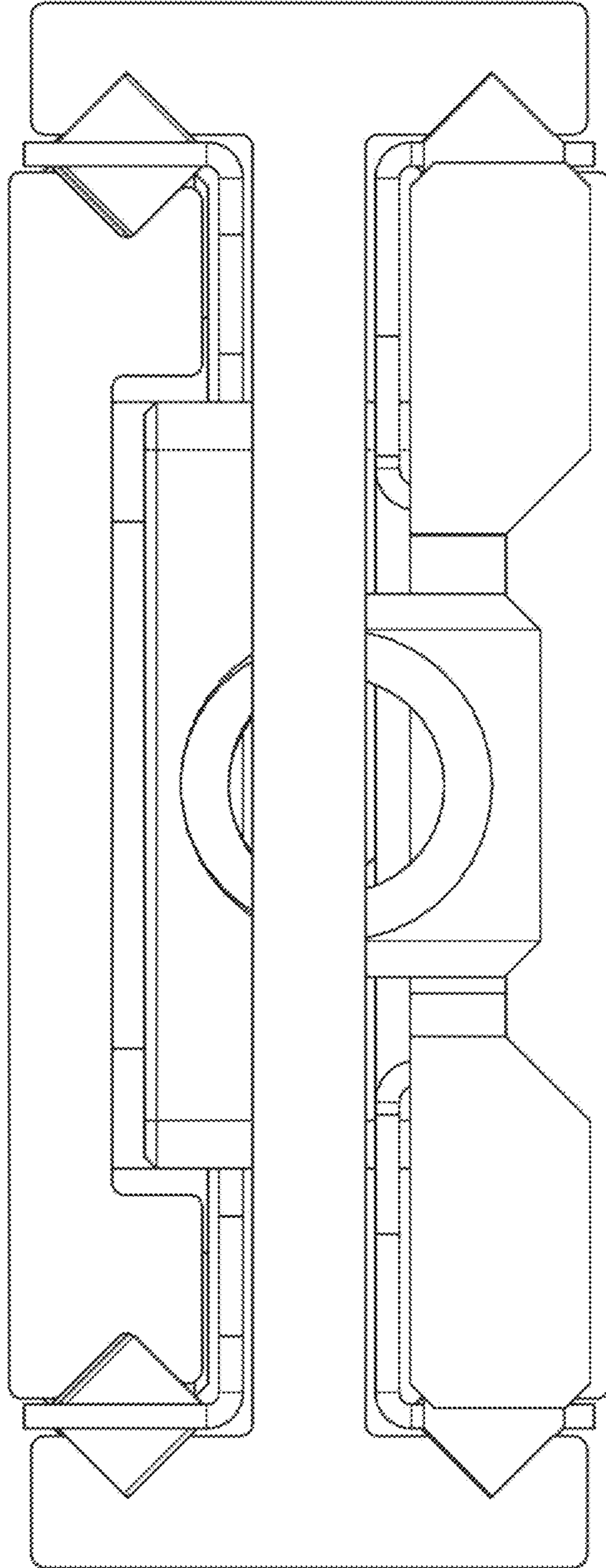


FIG. 8

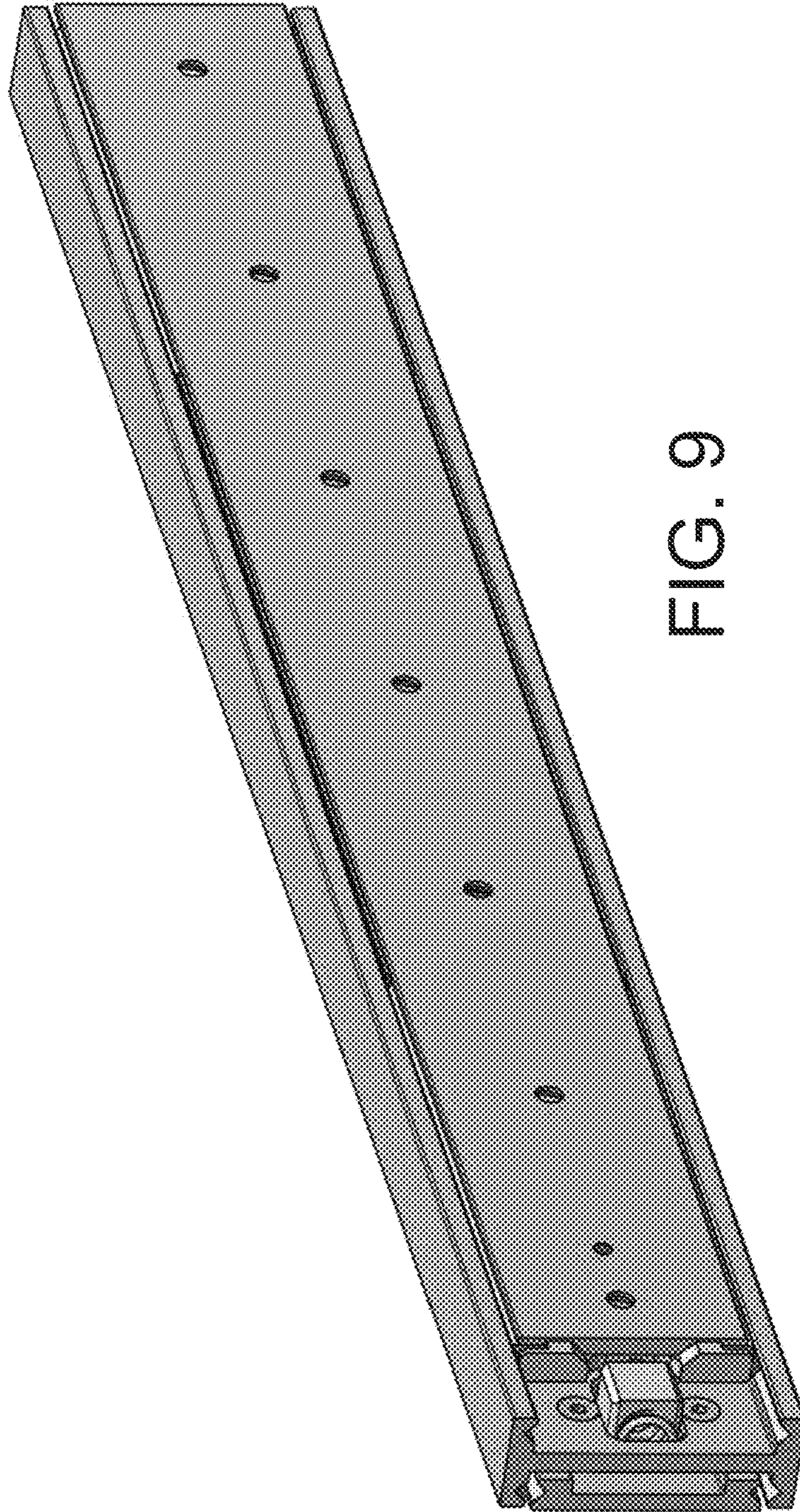


FIG. 9

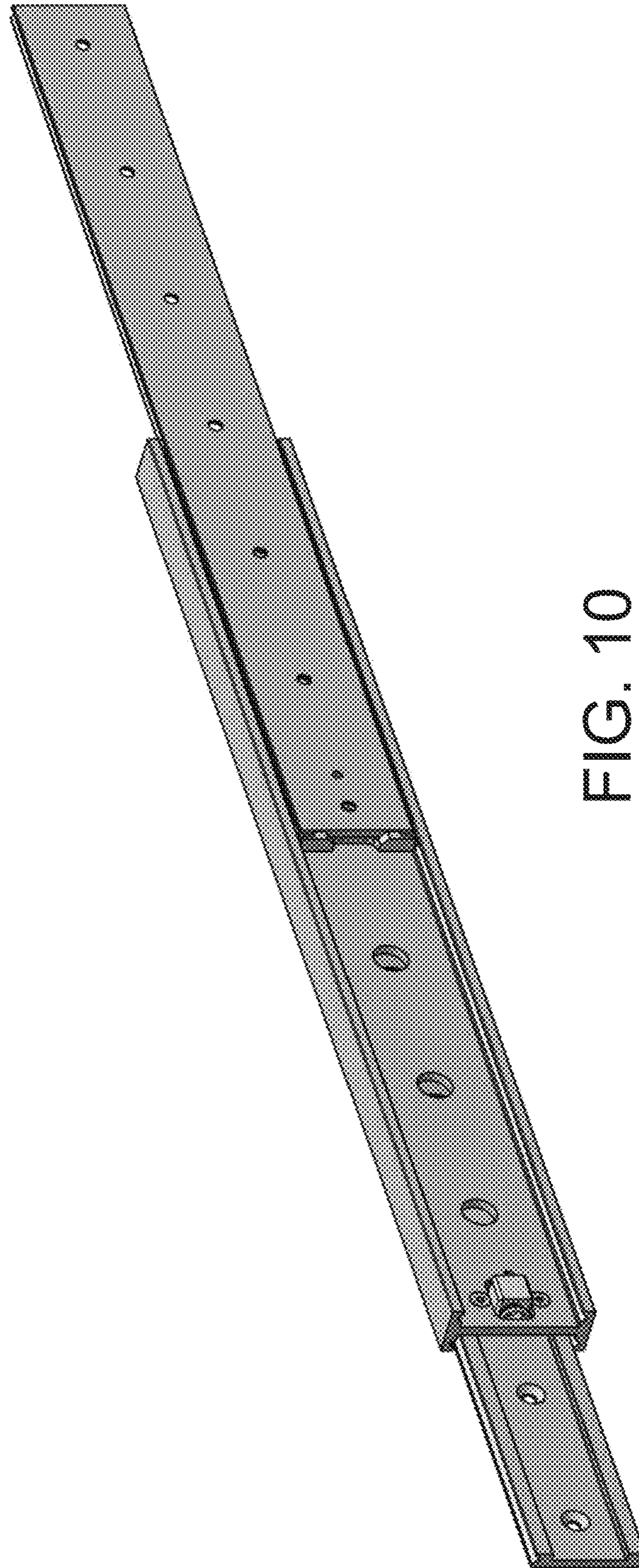


FIG. 10

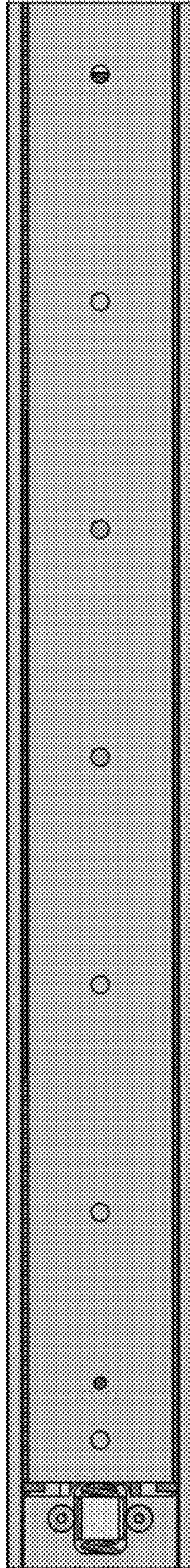


FIG. 11

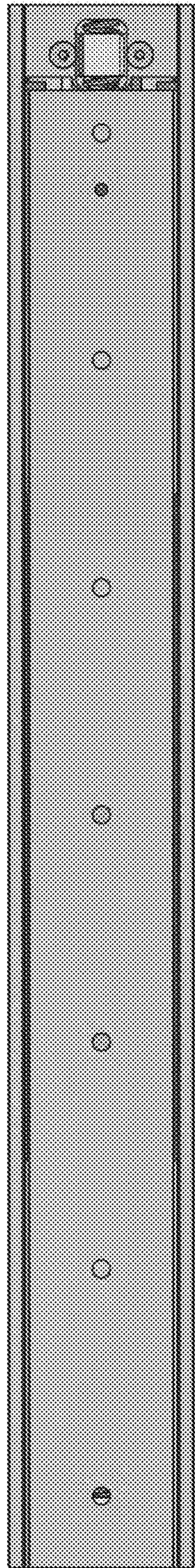


FIG. 12

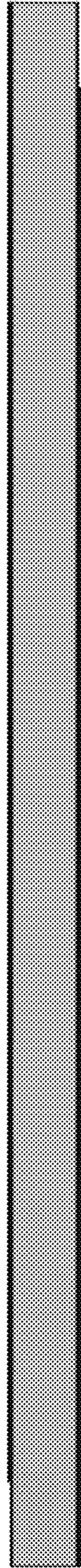


FIG. 13

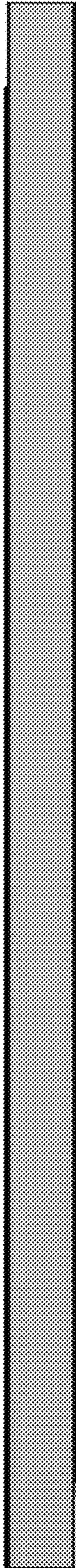


FIG. 14

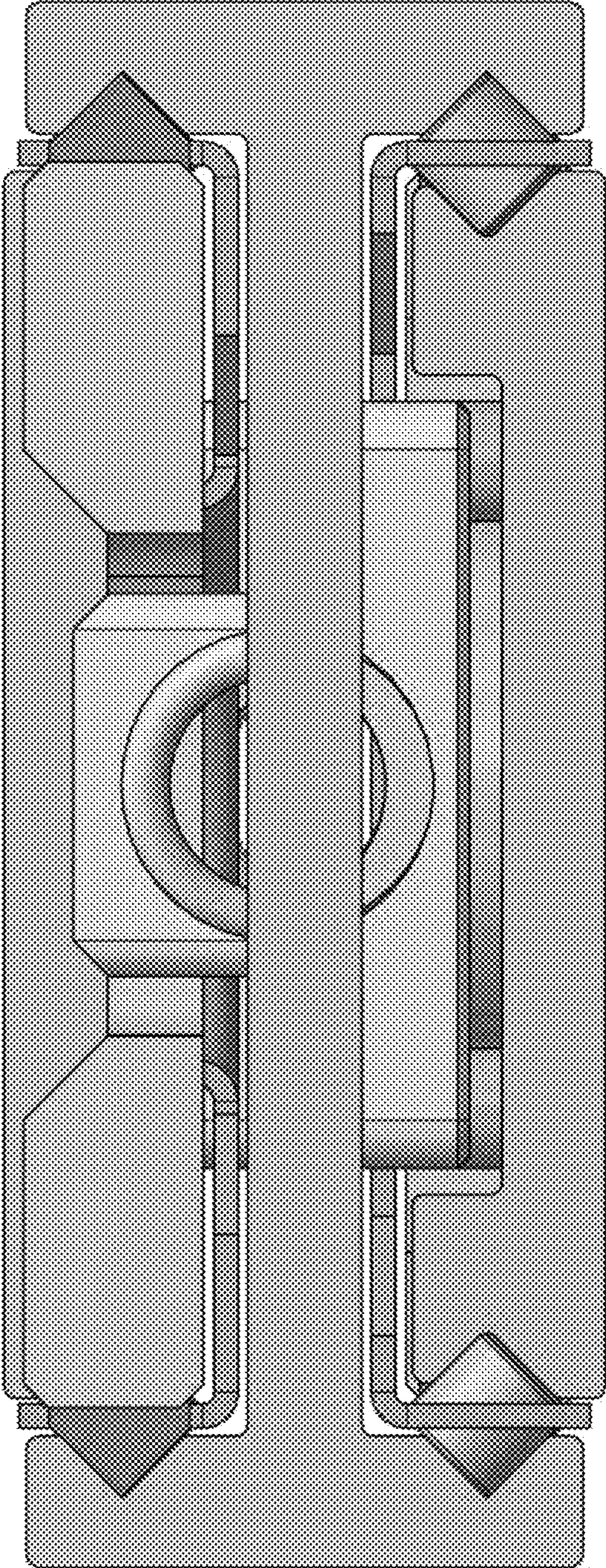


FIG. 15

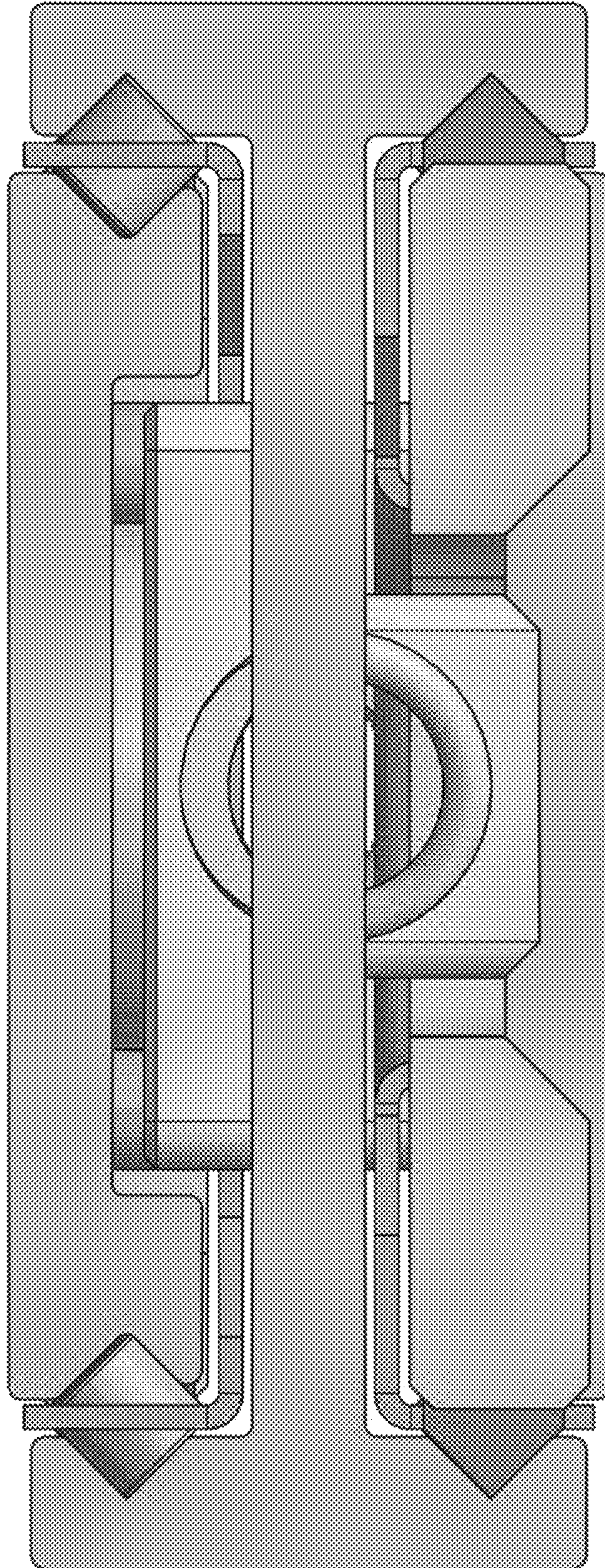


FIG. 16