



US00D961369S

(12) **United States Design Patent**
Sargent

(10) **Patent No.:** **US D961,369 S**

(45) **Date of Patent:** **** Aug. 23, 2022**

(54) **TROLLEY APPARATUS FOR SLACKLINE WEBBING**

9,707,976 B2 7/2017 Strasser
D819,434 S * 6/2018 Sonneman D8/394
10,092,788 B2 10/2018 O'Brien

(Continued)

(71) Applicant: **Weave Composites**, Oceanside, CA
(US)

FOREIGN PATENT DOCUMENTS

(72) Inventor: **Nathan Thomas Sargent**, Oceanside,
CA (US)

DE 202011103593 11/2011
EM 0015360950001 6/2009

(Continued)

(73) Assignee: **Weave Composites**, Oceanside, CA
(US)

OTHER PUBLICATIONS

(**) Term: **15 Years**

Petzl; Rescue "High strength, very high efficiency pulley"; <https://www.petzl.com/US/en/Professional/Pulleys/RESCUE> [retrieved from the internet on Oct. 6, 2021] Feb. 13, 2018 (3 pages).

(Continued)

(21) Appl. No.: **29/810,589**

(22) Filed: **Oct. 6, 2021**

Primary Examiner — Cynthia R Underwood

(51) **LOC (13) Cl.** **08-11**

(74) *Attorney, Agent, or Firm* — Esplin & Associates, PC

(52) **U.S. Cl.**

(57) **CLAIM**

USPC **D8/360**

The ornamental design for a trolley apparatus for slackline webbing, as shown and described.

(58) **Field of Classification Search**

USPC D8/360, 356, 354, 349

CPC A63B 29/00; A63B 27/00

See application file for complete search history.

DESCRIPTION

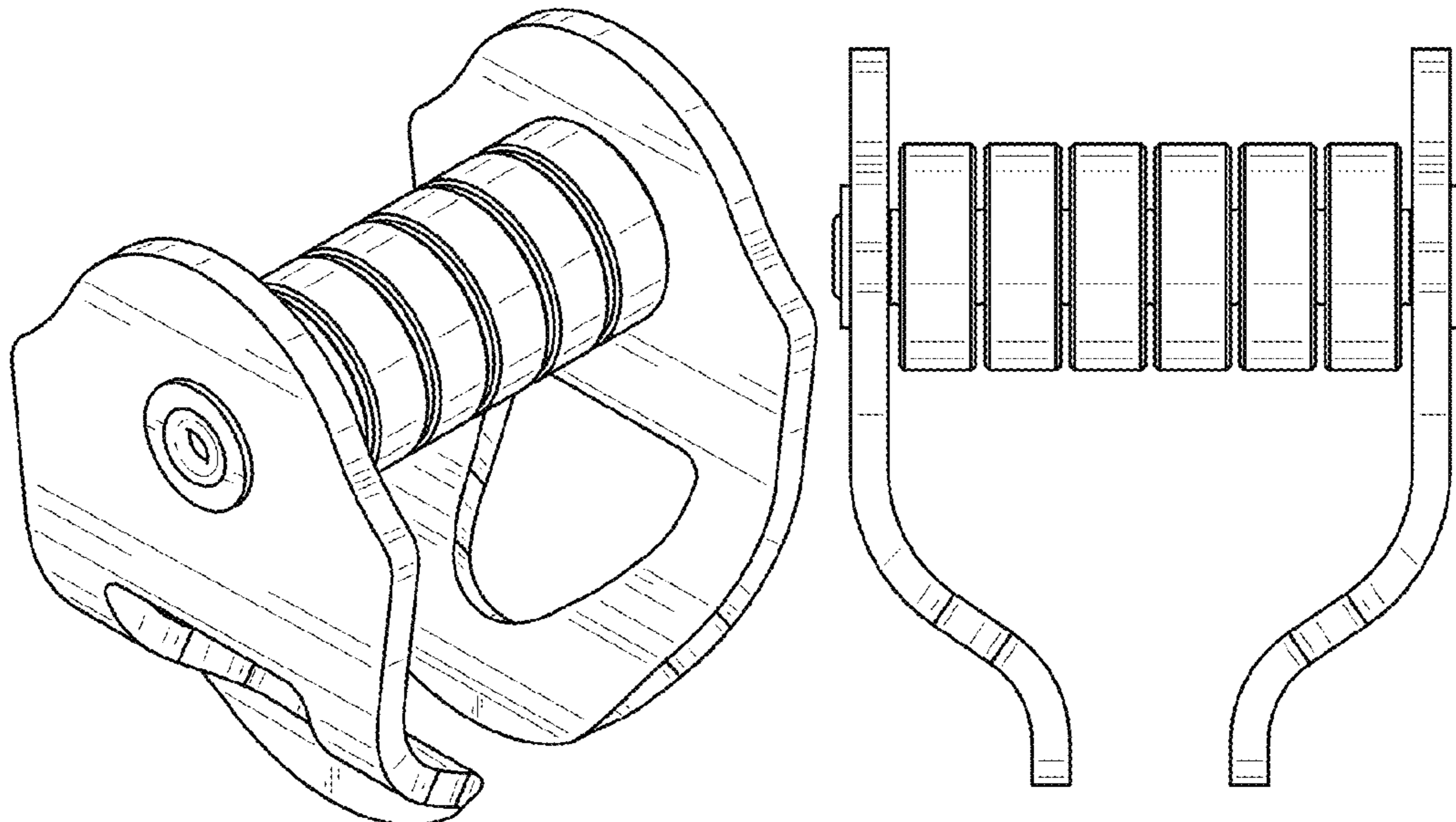
(56) **References Cited**

U.S. PATENT DOCUMENTS

D45,911 S * 6/1914 Mallory D8/360
D55,508 S * 6/1920 Flynn, Jr. D8/360
3,026,816 A 3/1962 Russo
D202,294 S * 9/1965 Heifetz D8/396
4,062,293 A 12/1977 Davis
5,119,735 A 6/1992 Jang
5,931,100 A 8/1999 Sutton
D431,771 S * 10/2000 Westerfield D8/360
6,810,818 B2 11/2004 Petzl
7,966,941 B1 6/2011 Brannan
D685,676 S * 7/2013 Tylaska D11/222
D687,700 S 8/2013 Petzl
8,640,626 B2 2/2014 Perry

FIG. 1 is a perspective view of the trolley apparatus for slackline webbing according to the new design;
FIG. 2 is a front view thereof;
FIG. 3 is a side view thereof;
FIG. 4 is a top view thereof; and
FIG. 5 is a bottom view thereof.
FIG. 6 is a perspective view of a second embodiment of the trolley apparatus for slackline webbing;
FIG. 7 is a front view thereof;
FIG. 8 is a side view thereof;
FIG. 9 is a top view thereof; and,
FIG. 10 is a bottom view thereof.
The broken lines depict portions of the structure that form no part of the claimed design.

1 Claim, 4 Drawing Sheets



(56)

References Cited

U.S. PATENT DOCUMENTS

D833,856	S *	11/2018	Simonds	D8/360
D860,766	S *	9/2019	Brown	A62B 1/18 D8/360
D862,205	S	10/2019	Bailey		
D869,263	S	12/2019	Cowell		
10,654,498	B2	5/2020	Runia		
D893,286	S *	8/2020	Xu	D8/360
D896,352	S *	9/2020	Horning	D23/265
D908,475	S *	1/2021	Grobe	D8/360
D920,083	S *	5/2021	Yu	D8/360
11,007,947	B2 *	5/2021	Gandhi	B60R 7/08
D930,460	S	9/2021	Sun		
D936,462	S *	11/2021	Cao	D8/360
2009/0114893	A1 *	5/2009	Lange	B66D 3/04 254/390
2011/0239898	A1	10/2011	Brown		
2016/0325130	A1 *	11/2016	Grund	A63B 7/085
2017/0319887	A1 *	11/2017	O'Brien	A63B 7/00
2018/0001126	A1	1/2018	Klopman		
2018/0185690	A1 *	7/2018	Coulter	A63B 7/02
2018/0326957	A1	11/2018	McGowan		
2020/0385028	A1	12/2020	Quillard		

FOREIGN PATENT DOCUMENTS

EM	0015360950002	6/2009
EM	0015360950003	6/2009
EM	0015360950004	6/2009
EM	0015360950005	6/2009
EM	0015360950006	6/2009
EM	0061260580001	2/2019
WO	2011078460	6/2011

OTHER PUBLICATIONS

Petzl; Fixe “Versatile compact pulley”; <https://www.petzl.com/US/en/Professional/Pulleys/FIXE> [retrieved from the internet on Oct. 6, 2021] Feb. 13, 2018 (3 pages).

WesSpur; “½" Capacity Pulleys”; <https://www.wesspur.com/pulleys/half-inch-pulleys.html> [retrieved from the internet on Oct. 6, 2021] Mar. 15, 2005 (12 pages).

Petzl; Tandem® Speed “Efficient double pulley for zip lines or tensioned”; [highlineshttps://www.petzl.com/US/en/Professional/Pulleys/TANDEM-SPEED](https://www.petzl.com/US/en/Professional/Pulleys/TANDEM-SPEED) [retrieved from the internet on Oct. 6, 2021] Feb. 13, 2018 (3 pages).

Spider Slacklines; Aidman Slackline SLIDER;5. https://spider-slacklines.com/shop/en/rollex/81-3458-aidman-slackline-slider-7325999090.html#/634-select_brake-rubber_pulley_brake [retrieved from the internet on Oct. 6, 2021] May 17, 2021 (7 pages).

Slack-Mountain; “Line Slider Slack Mountain”; <https://slack-mountain.com/en/pulley-and-tension/61-poulie-de-sangle-slack-mountain.html> [retrieved from the internet on Oct. 6, 2021] Jun. 9, 2020 (4 pages).

FeetOffTheGround; “Highway Line Slide/Webbing Pulley” <https://feetoffground.com.au/product/highway-line-slide-webbing-pulley/> [retrieved from the internet on Oct. 6, 2021] Aug. 20, 2019 (4 pages).

ZERGE—OUTDOOR—“SKIP—The high-efficiency webbing pulley” <http://zergeoutdoor.com/product/skip-the-high-efficiency-webbing-pulley/> [retrieved from the internet on Oct. 6, 2021] Nov. 12, 2016 (7 pages).

Petram Slackline “Motum Pulley” <https://www.facebook.com/Petram.Slackline/posts/motum-pulley-webbing-pulley-for-transport-on-slackline-or-as-an-multiplier-in-si/240908006240250/> [retrieved from the internet on Oct. 6, 2021] Jan. 15, 2016 (2 Pages).

Krzysztof Bukolt, GrabCad.com “Webbing Pully—Prototype of pulley for slackline” <https://grabcad.com/library/webbing-pulley-1> [retrieved from the internet on Oct. 6, 2021] Jul. 23, 2017 (4 pages).

Sumally; Landcruising Highslide 2 Webbing Pulley “https://sumally.com/p/2413315object_id=ref%3AkwHNRkSBoXDOACTTAw%3AMJET” [retrieved from the internet on Oct. 6, 2021] May 11, 2017 (1 page).

SLACKTIVITY “HangOver-S | Screw-gate” <https://slacktivity.com/shop/screw-gate-hangover/> [retrieved from the internet on Oct. 6, 2021] Feb. 11, 2021 (9 pages).

Liftec Rigging; “Pulley Blocks Pulley Single Sheave Webbing Light Duty With Bronze Bush Bearing” http://www.chinaliftec.com/products/pulley_blocks/434.html [retrieved from the internet on Oct. 6, 2021] Sep. 29, 2015 (2 pages).

REI Co-op Shop; R“results for ‘pulley’” <https://www.rei.com/search?q=pulley> [retrieved from the internet on Oct. 6, 2021] 2021 (5 pages).

https://www.amazon.com/HOKINETY-Ninja-Slackline-Pulley-Kit/dp/B09L4PK95Q/ref=sr_1_7?crid=3IME21TLB75YM&keywords=hokinety+ninja+warrior+obstacle+course+for&qid=1641835101&s=toys-and-games&sprefix=hokinety+ninja+warrior+obstacle+course+fo%2Ctoys-and-games%2C105&sr=1-7 (Year:Feb. 2021).

https://www.amazon.com/Fofana-Ninja-Slider-Slackline-Pulley/dp/B08X1R6335/ref=873e-d532e726c2f0&pf_rd_r=6H5Y7ZJBF2Y4YMRS681Z&pd_rd_r=8dd8d402-0a9f-405e-a30f-895347e13739&pd_rd_wg=4tN7N&pd_rd (Year: 2021).

<https://www.amazon.com/Slackline-Ziplines-Backyards%EF%BC%8CZipline-Accessories-Kit%EF%BC%8CNinja/dp/B08V5JRFJJ?th=1> (Year: 2021).

<https://www.ubuy.co.in/product/D68SQ06-jugader-ninja-warrior-obstacle-course-for-kids-with-slide-pulley-50ft-ninja-slackline-with-climbing>; Apr. 4, 2021; Jugador (Year: 2021).

* cited by examiner

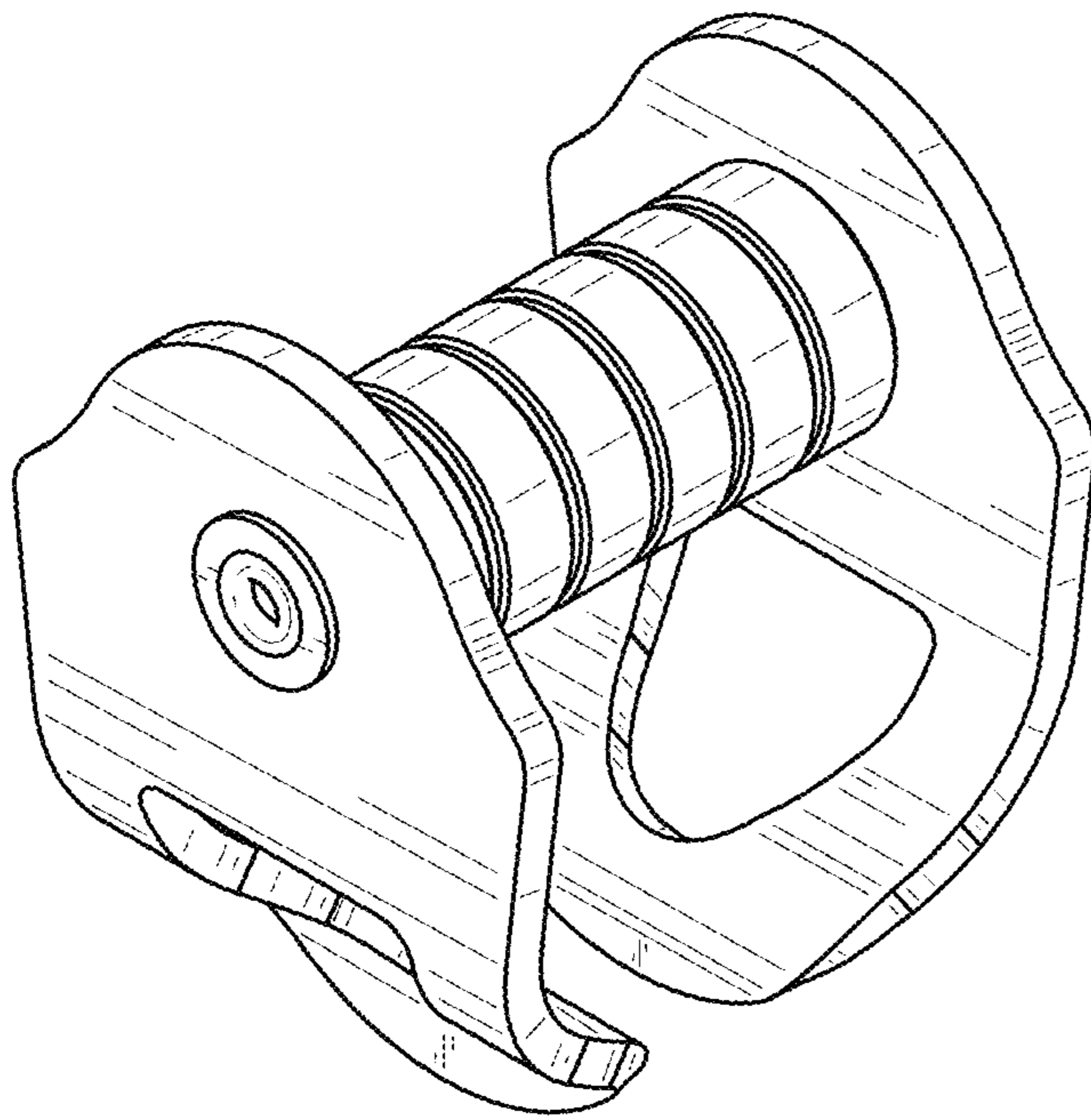


FIG. 1

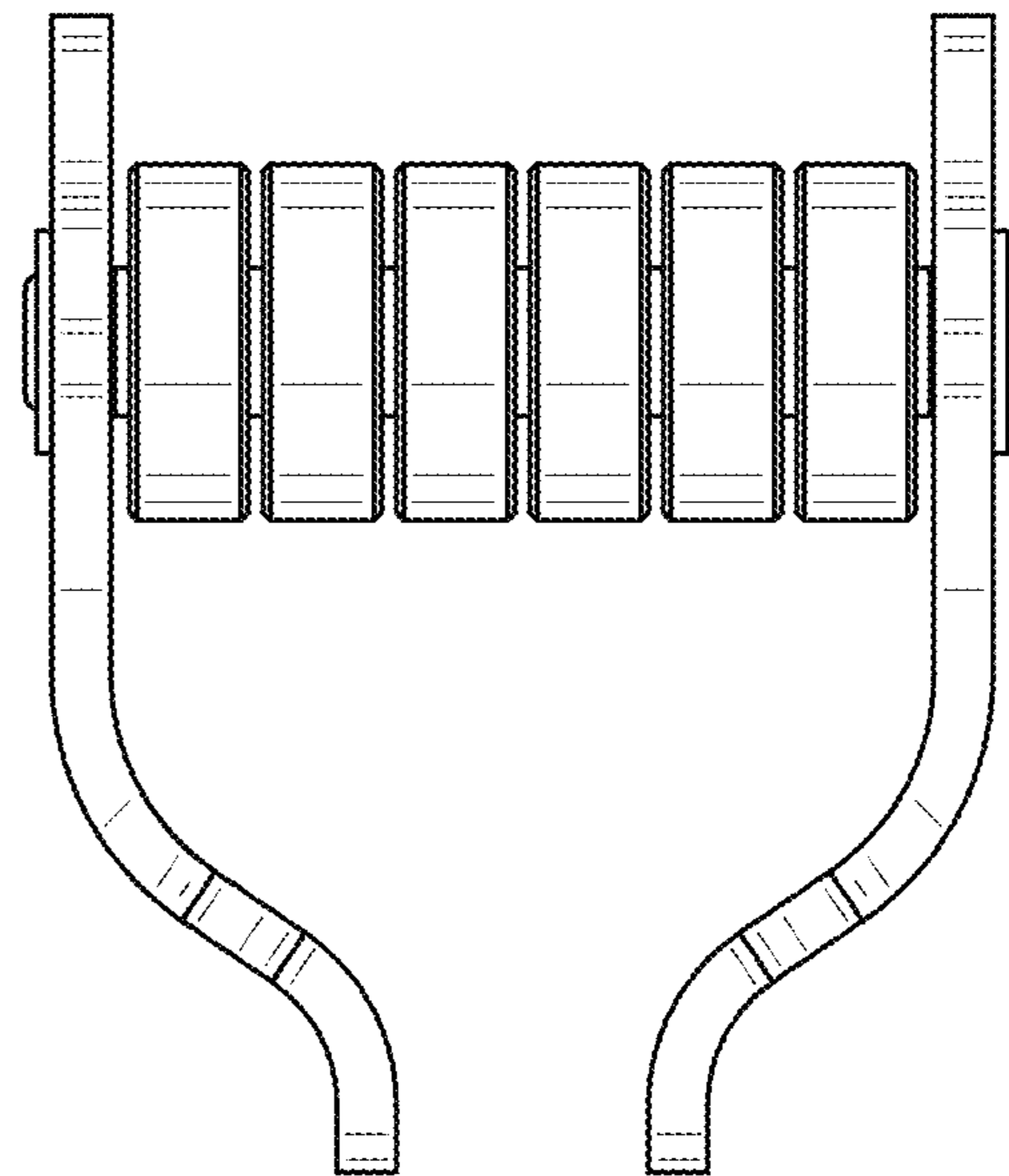


FIG. 2

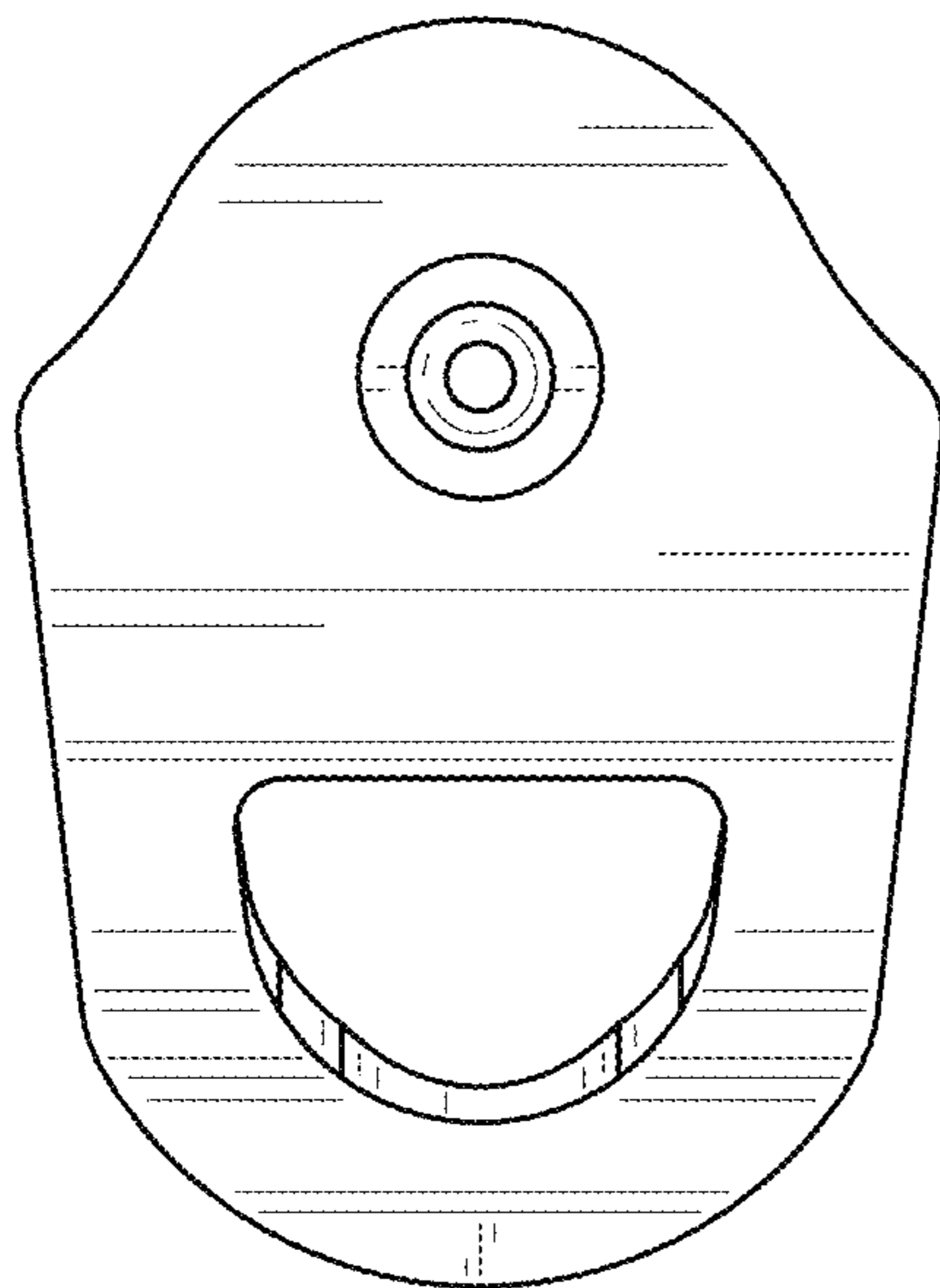


FIG. 3

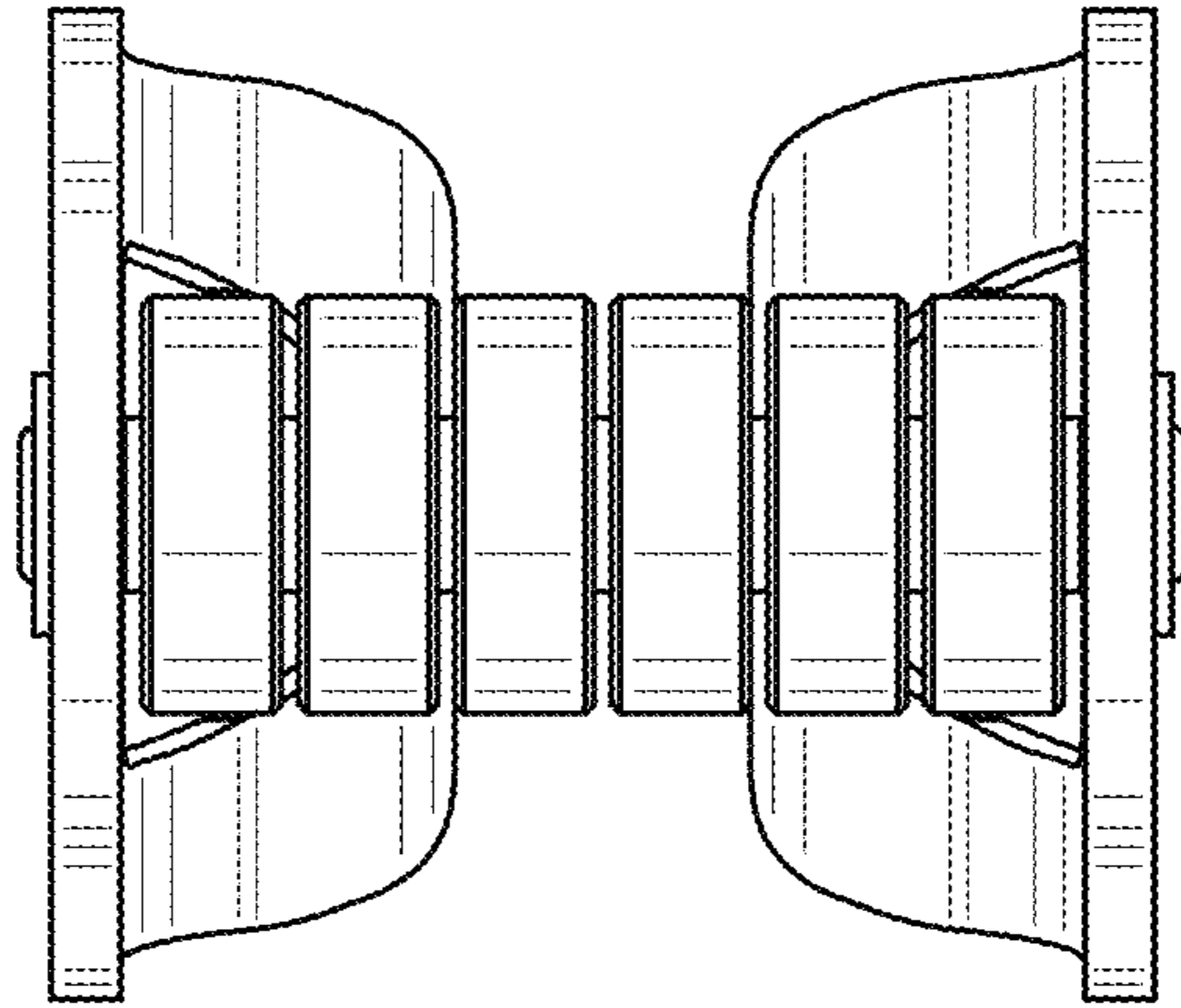


FIG. 4

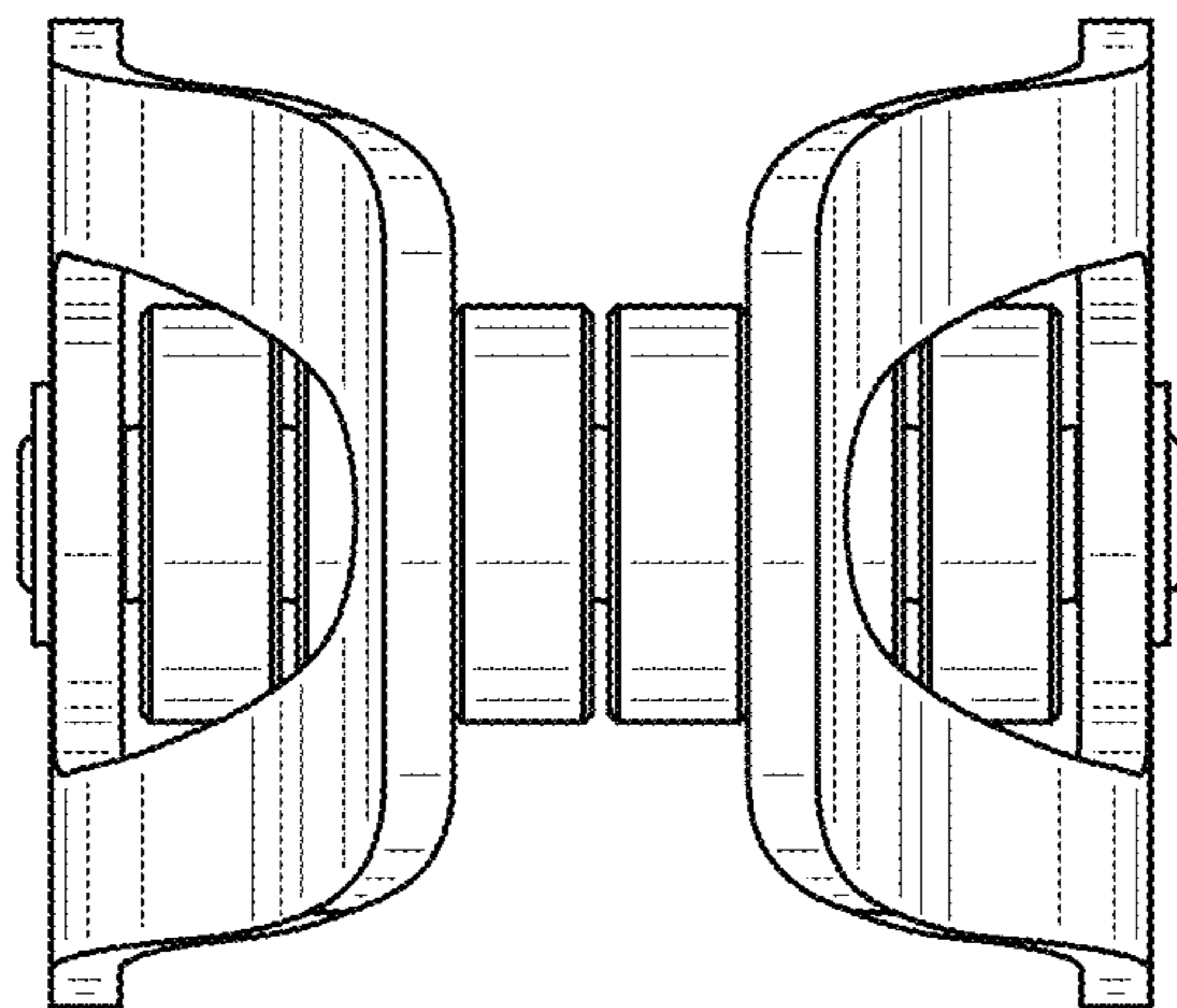


FIG. 5

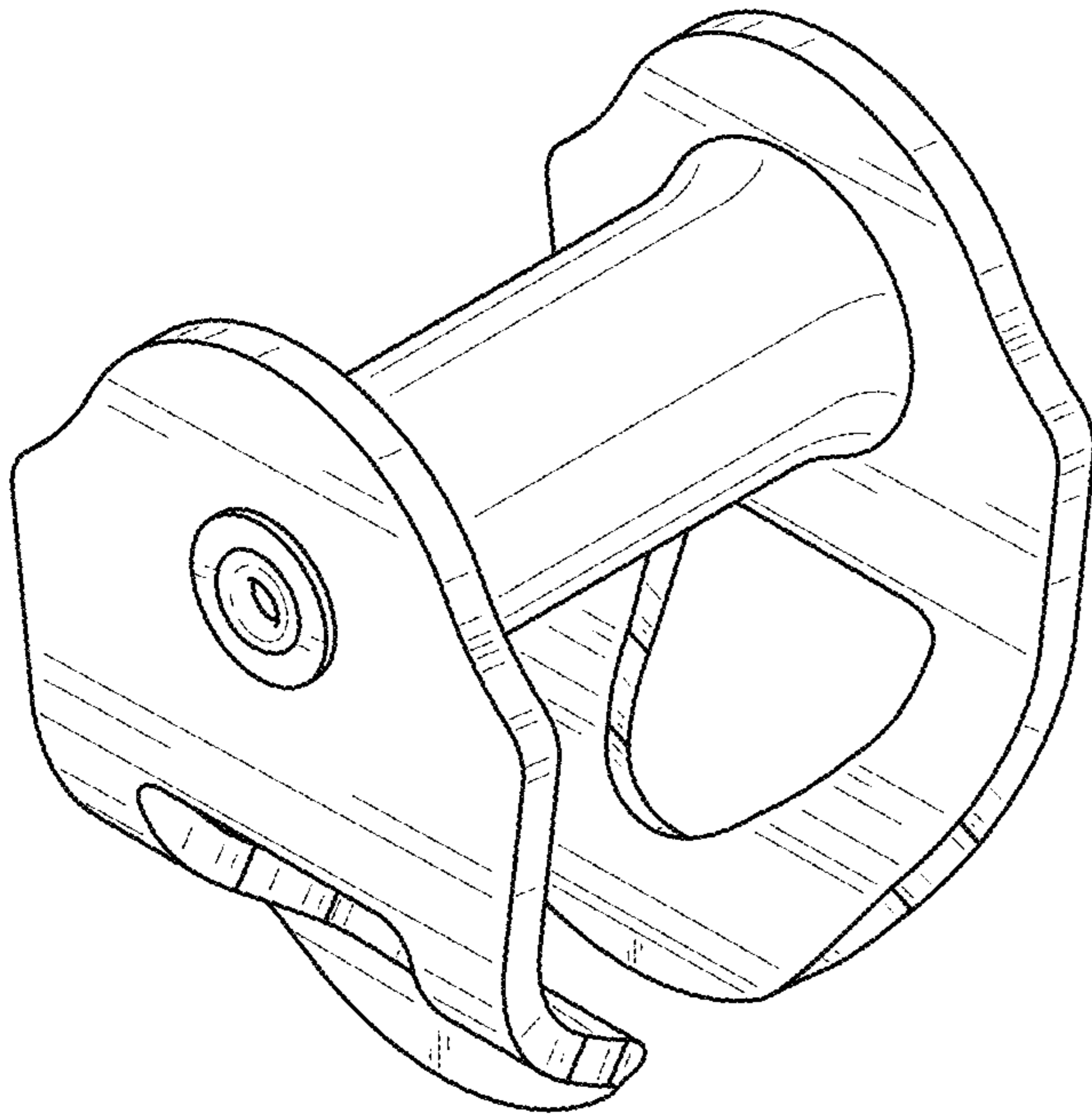


FIG. 6

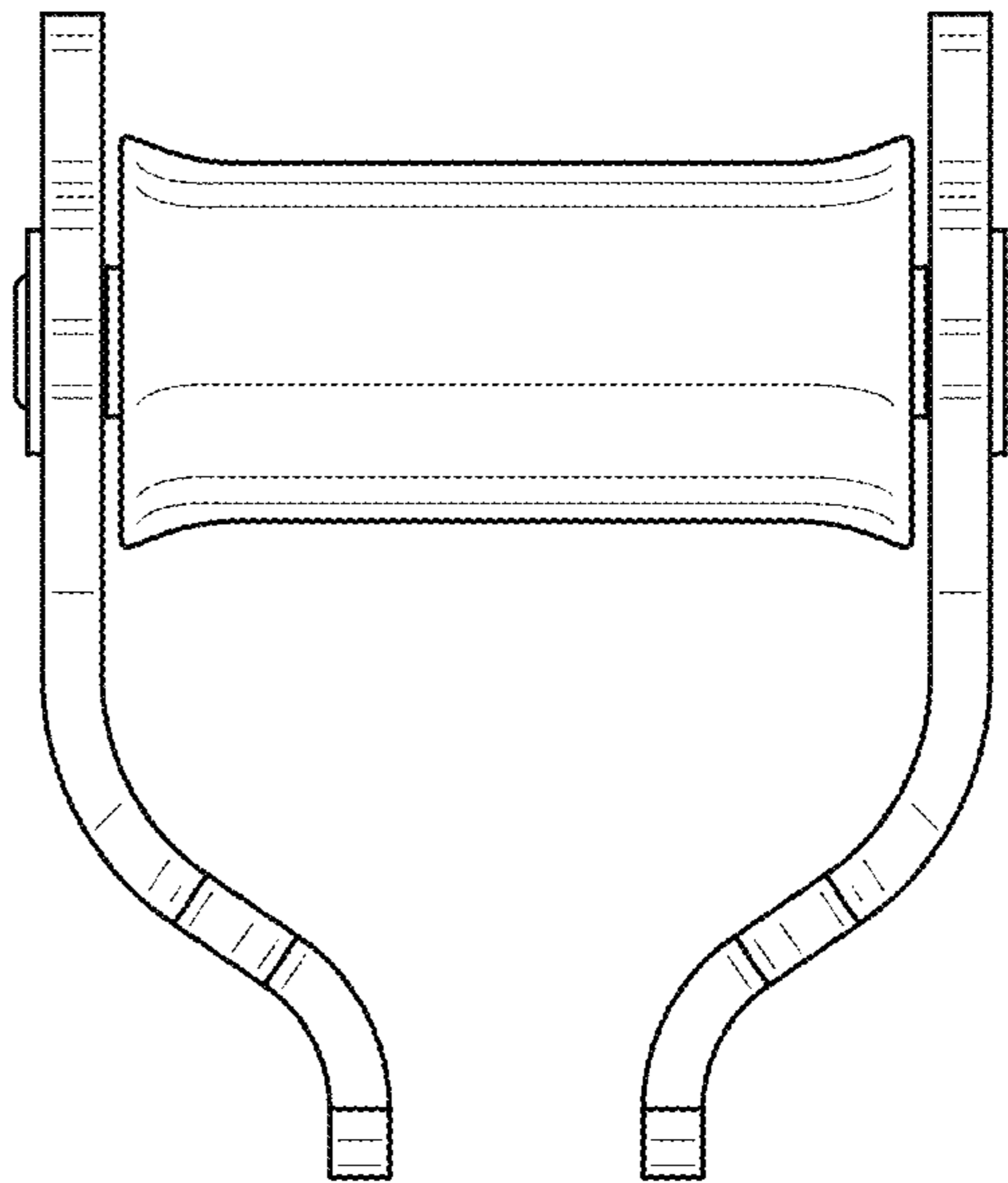


FIG. 7

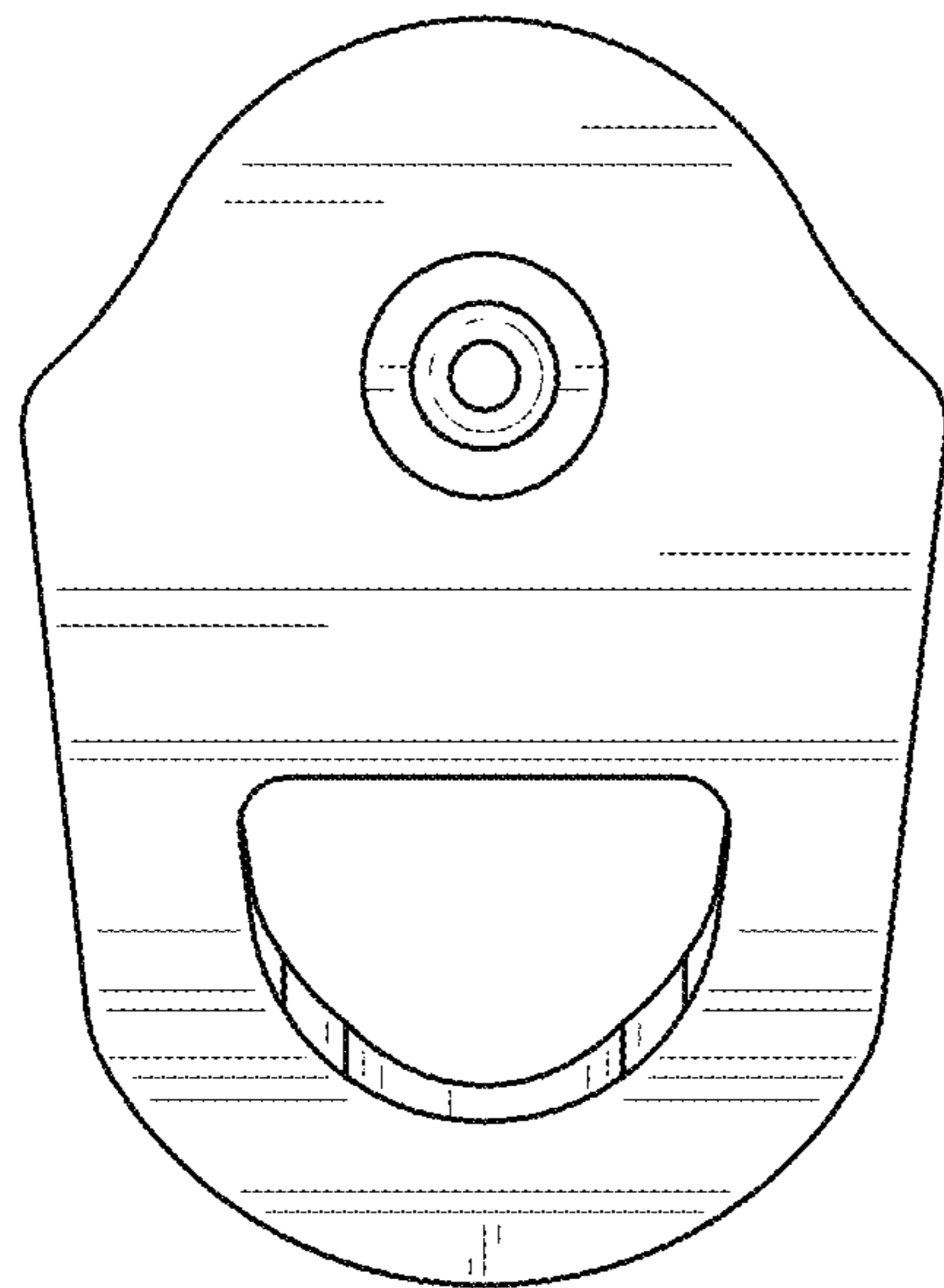


FIG. 8

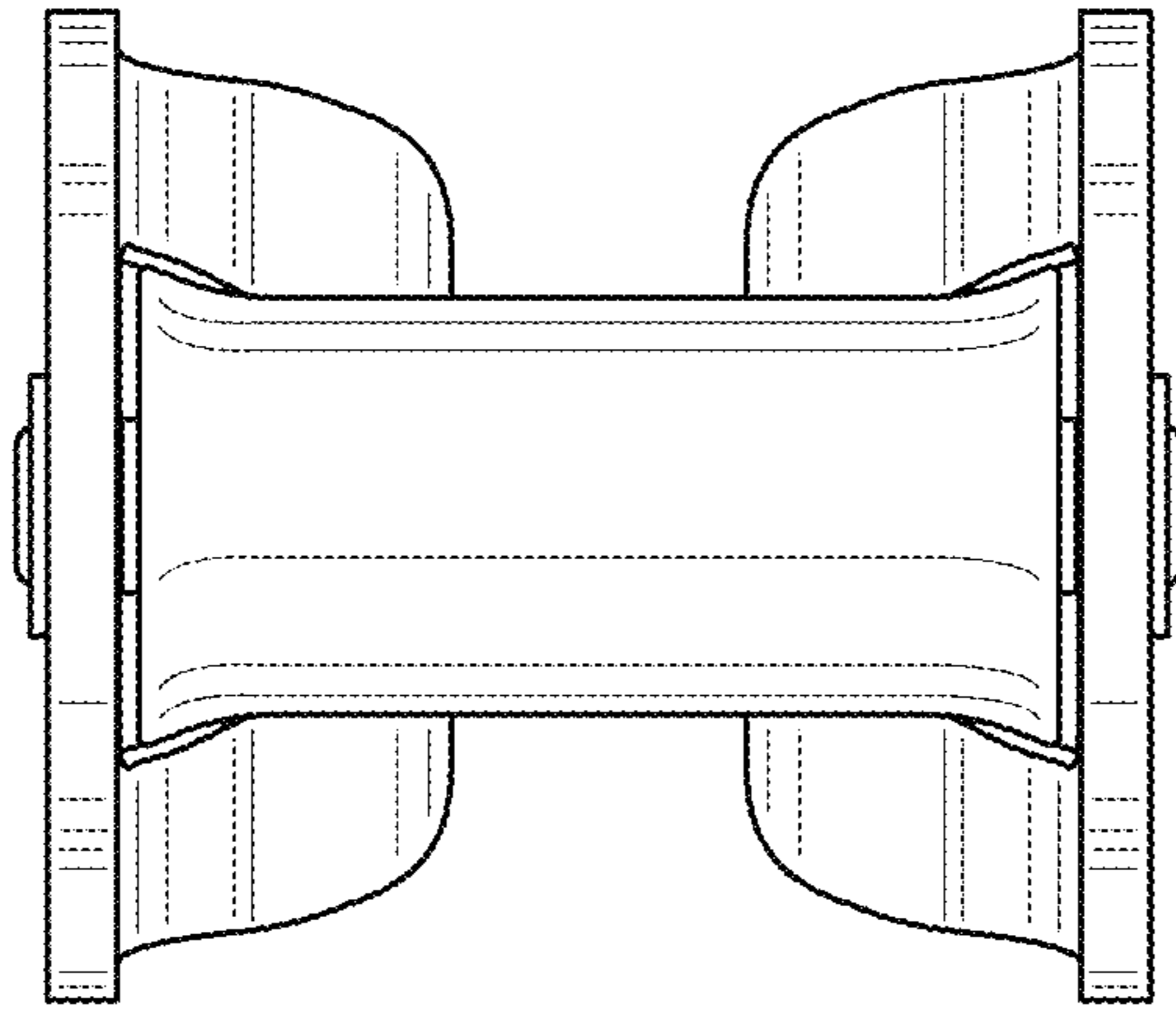


FIG. 9

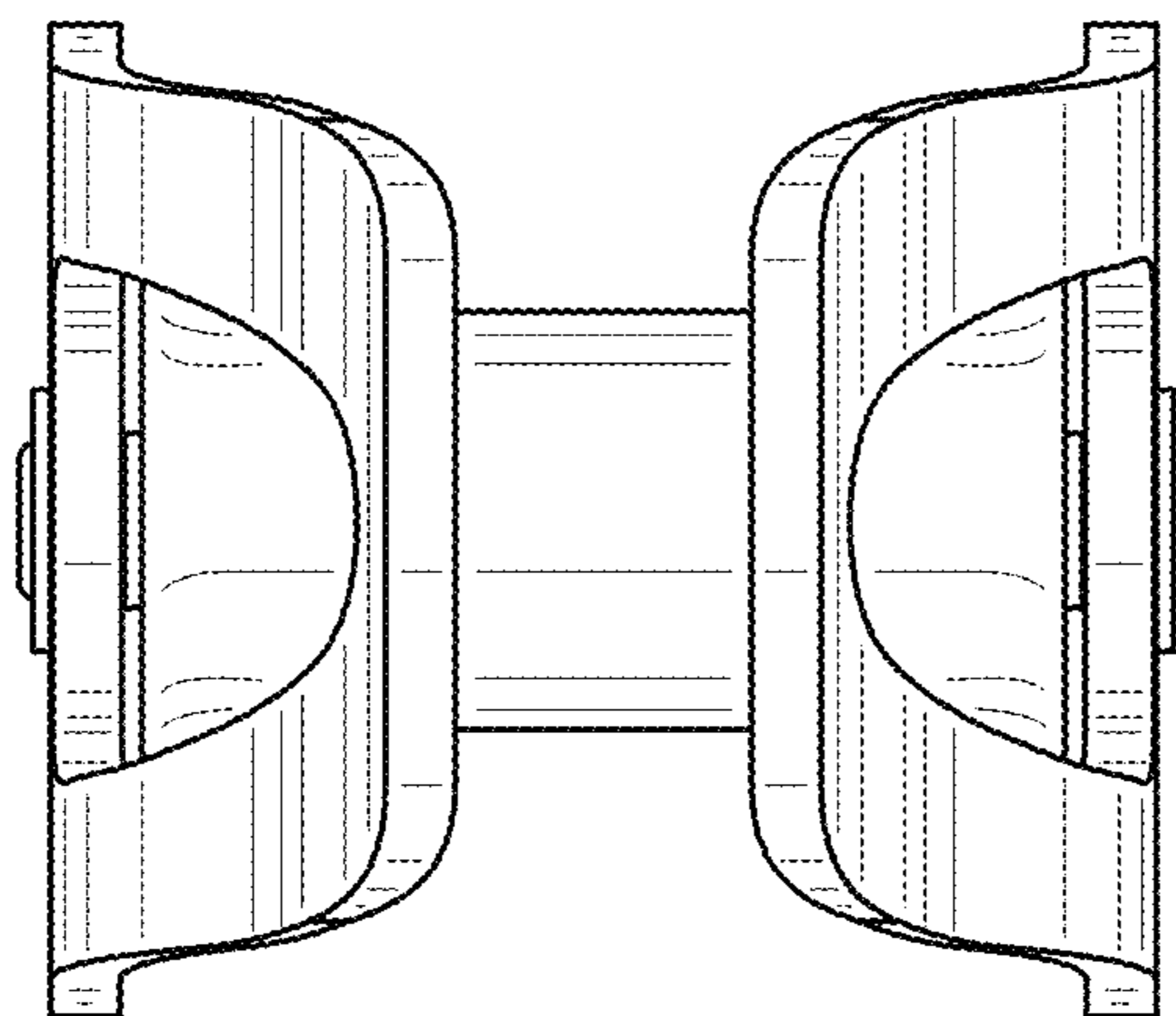


FIG. 10